

- 8. ALL CRIMP FITTINGS TO 1/2" PEX TUBING REQUIRE 1/2" CLAMP 140171-03-000.
- 7. ALL CRIMP FITTINGS TO 5/8" PEX TUBING REQUIRE 5/8" CLAMP 140171-04-000.
- 6. LABEL HOT AND COLD SUPPLY TUBES AND TAPE FITTING TO TUBE BEFORE CABINET SET TO PREVENT MOVEMENT.
- 5. ADD PIPE WRAP (LADDER SCRAP 110157-02-000) INSULATION.
- 4. ADD TEFLON TAPE 010405-02-000.
- 3. ALL TUBING TO BE SECURED AT 1200 INTERVALS MAXIMUM WITH CLAMP 010495-01-000 AND SCREW 000G67-10-12U OR EQUIVALENT.
- 2. TUBING TO BE INSTALLED WITH SUFFICIENT SLOPE TO PROVIDE DRAINAGE TO NEAREST VALVE.
- 1. PLASTIC FITTINGS TO BE SEALED WITH SEALANT 084456-01-000.

NOTES:

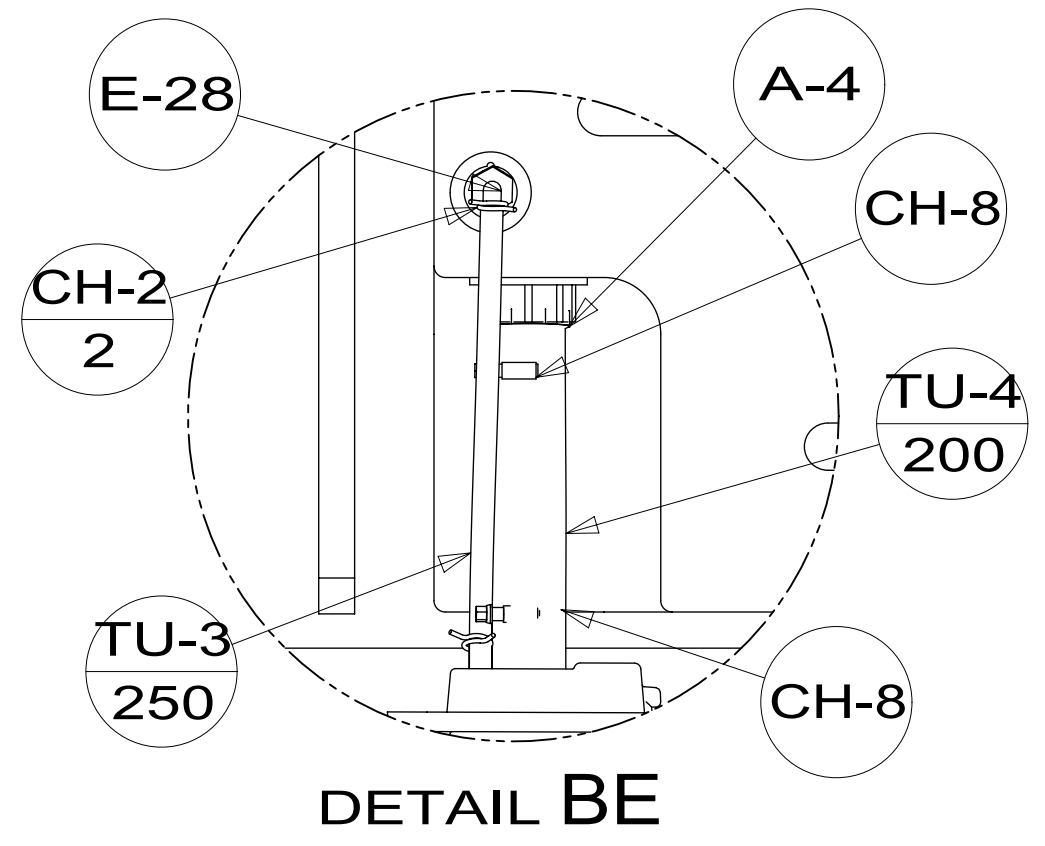
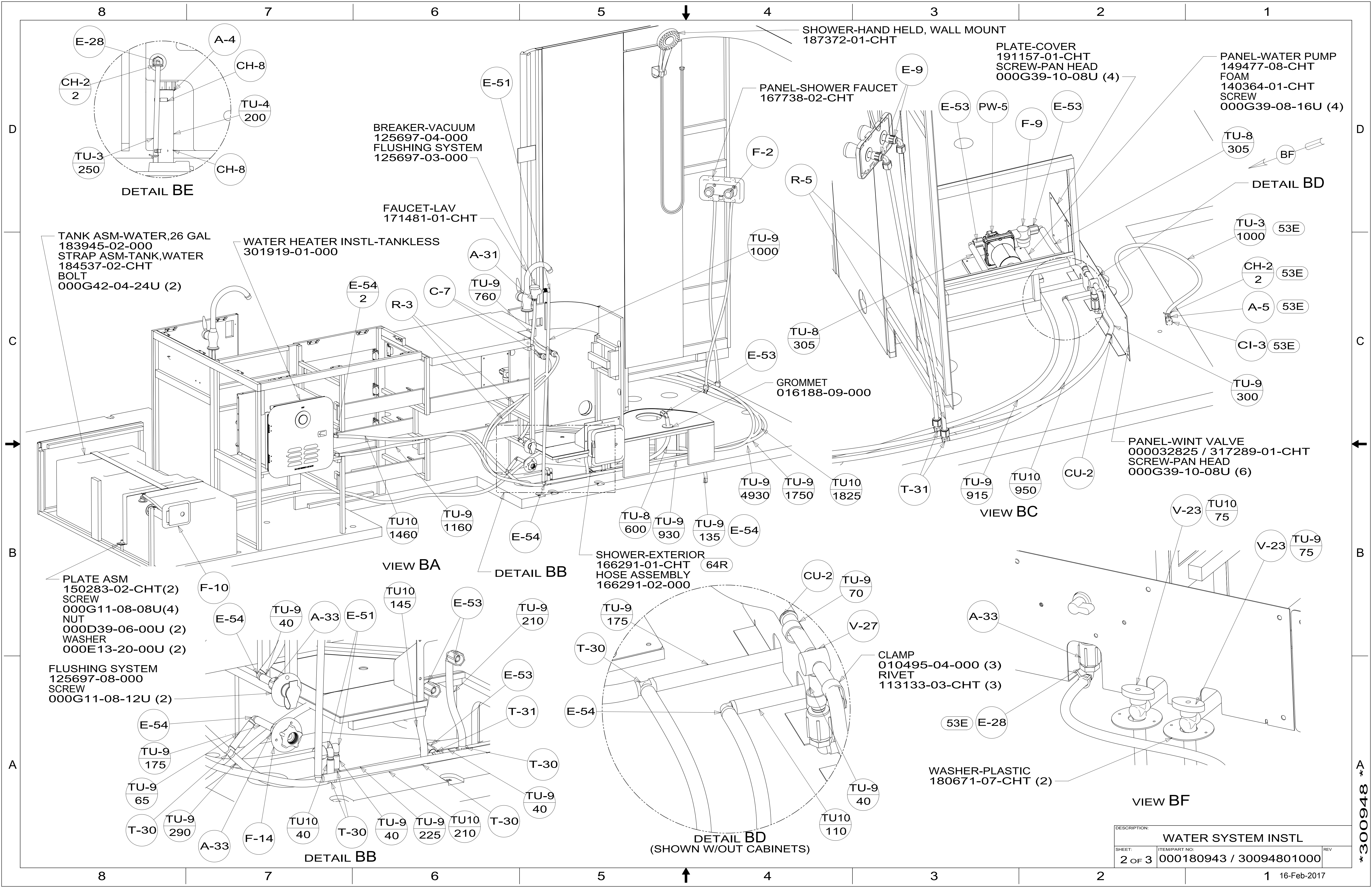
- 29B WATER PURIFIER
- 53E WATER SYS WINTERIZATION PKG
- 64R EXTERIOR WASH STATION



DSNR:		ALL DIMENSIONS ARE IN MILLIMETERS	
DIFFR:		MATERIAL:	
UNSPECIFIED TOLERANCES:			
WHOLE DIM (X)	3		
ONE-PLACE (X.X)	1.5		
TWO-PLACE (X.XX)	0.50		
ANGLE	1°		
REFER TO ES0018 FOR FASTENER TIGHTENING GUIDELINES		WEIGHT: (LBS)	FIRST USED: (REF)
			17 623L
DESCRIPTION: WATER SYSTEM INSTL			
SHEET: 1 OF 3	ITEM/PART NO: 000180943 / 30094801000	REV:	
REF:		1 16-Feb-2017	

X-X
FOR WATER CALLOUTS SEE DWG NO. 000209446 / 303369-01-000

300948



BREAKER-VACUUM
 125697-04-000
 FLUSHING SYSTEM
 125697-03-000

FAUCET-LAV
 171481-01-CHT

TANK ASM-WATER, 26 GAL
 183945-02-000
 STRAP ASM-TANK, WATER
 184537-02-CHT
 BOLT
 000G42-04-24U (2)

WATER HEATER INSTL-TANKLESS
 301919-01-000

SHOWER-HAND HELD, WALL MOUNT
 187372-01-CHT

PANEL-SHOWER FAUCET
 167738-02-CHT

PLATE-COVER
 191157-01-CHT
 SCREW-PAN HEAD
 000G39-10-08U (4)

PANEL-WATER PUMP
 149477-08-CHT
 FOAM
 140364-01-CHT
 SCREW
 000G39-08-16U (4)

DETAIL BD

TU-3 1000 53E

CH-2 2 53E

A-5 53E

CI-3 53E

TU-9 300

PANEL-WINT VALVE
 000032825 / 317289-01-CHT
 SCREW-PAN HEAD
 000G39-10-08U (6)

VIEW BC

V-23 TU10 75

V-23 TU-9 75

PLATE ASM
 150283-02-CHT(2)
 SCREW
 000G11-08-08U(4)
 NUT
 000D39-06-00U (2)
 WASHER
 000E13-20-00U (2)

VIEW BA

DETAIL BB

SHOWER-EXTERIOR
 166291-01-CHT
 HOSE ASSEMBLY
 166291-02-000

CLAMP
 010495-04-000 (3)
 RIVET
 113133-03-CHT (3)

WASHER-PLASTIC
 180671-07-CHT (2)

VIEW BF

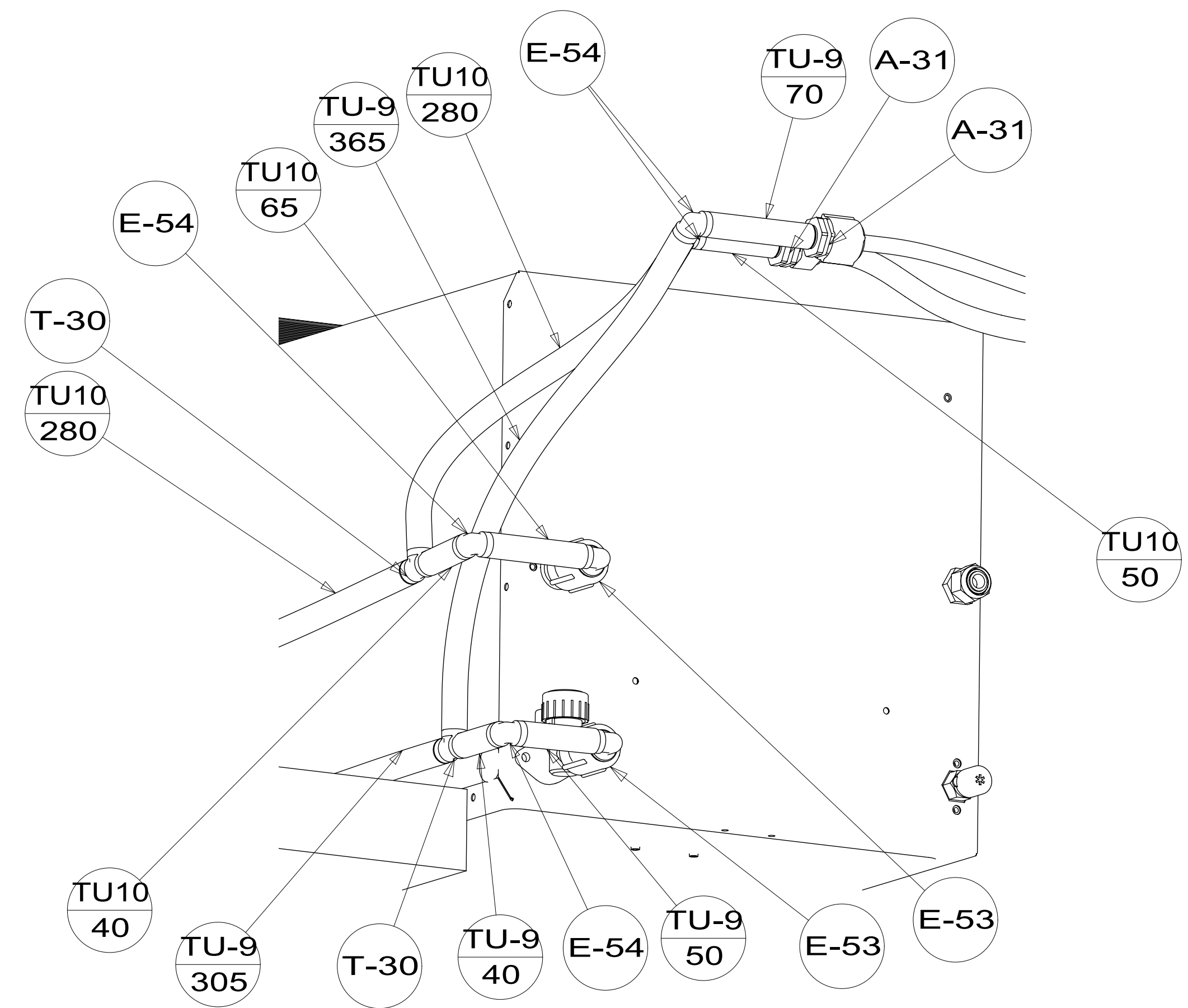
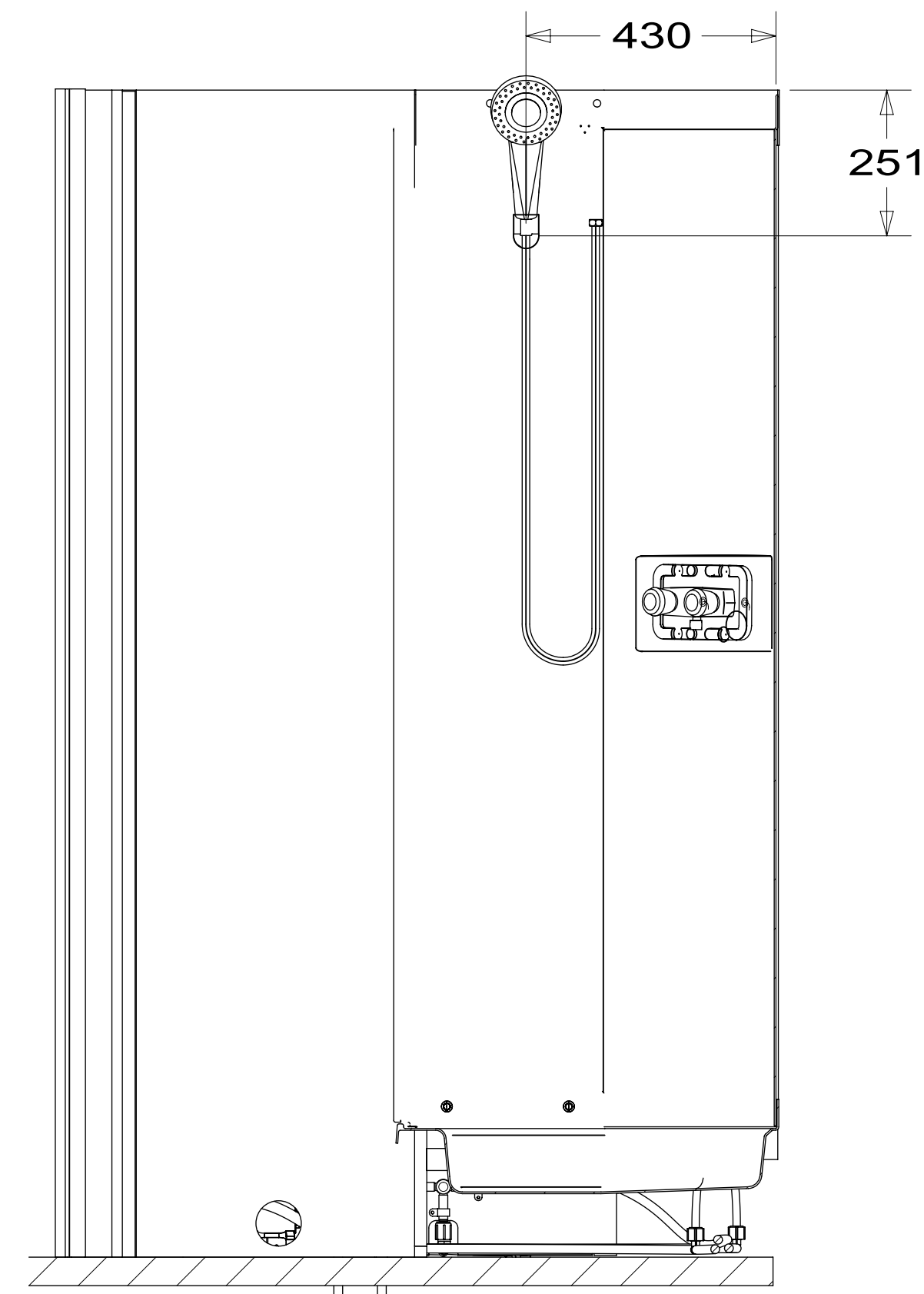
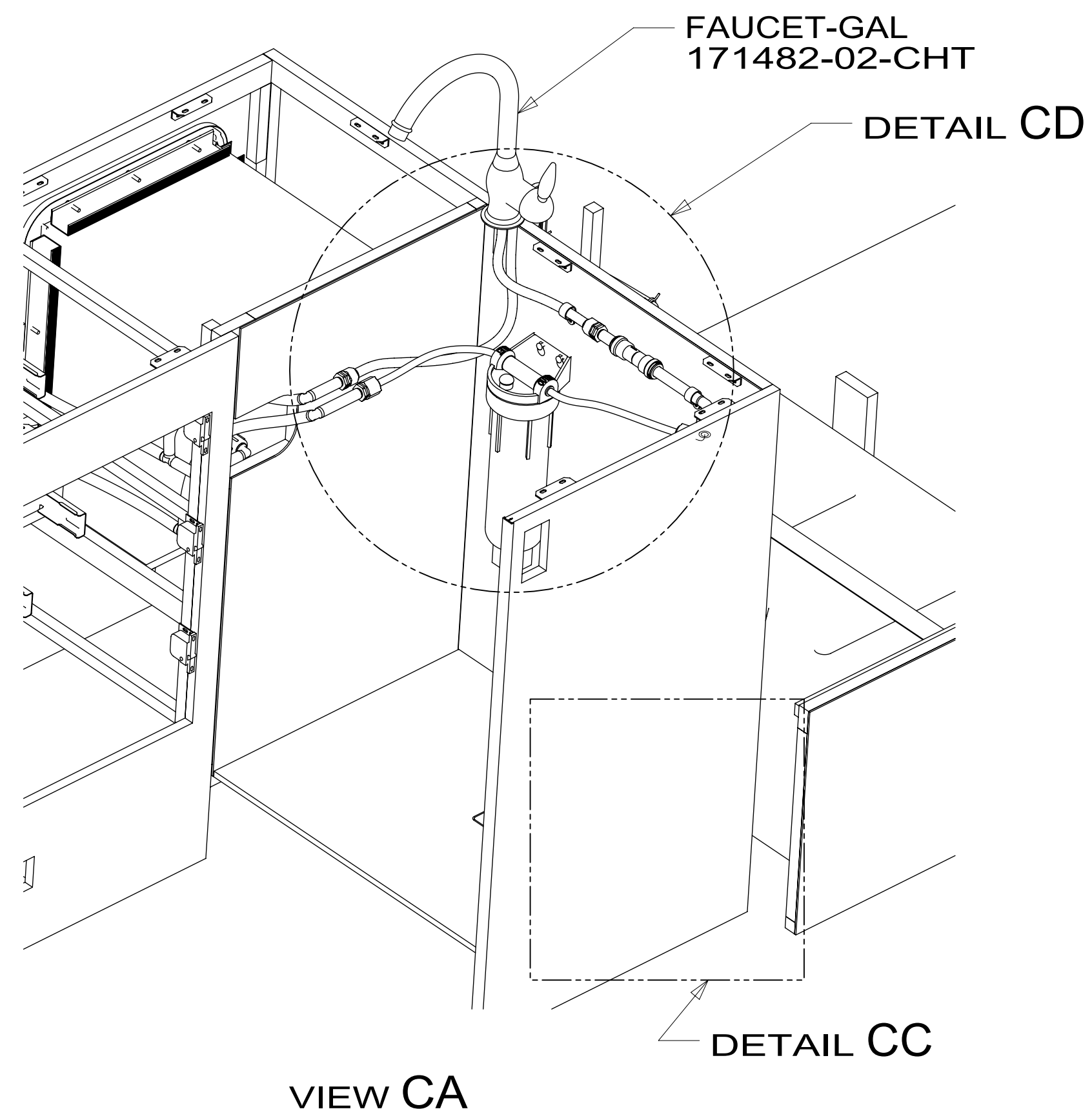
FLUSHING SYSTEM
 125697-08-000
 SCREW
 000G11-08-12U (2)

DETAIL BB

DETAIL BD (SHOWN W/OUT CABINETS)

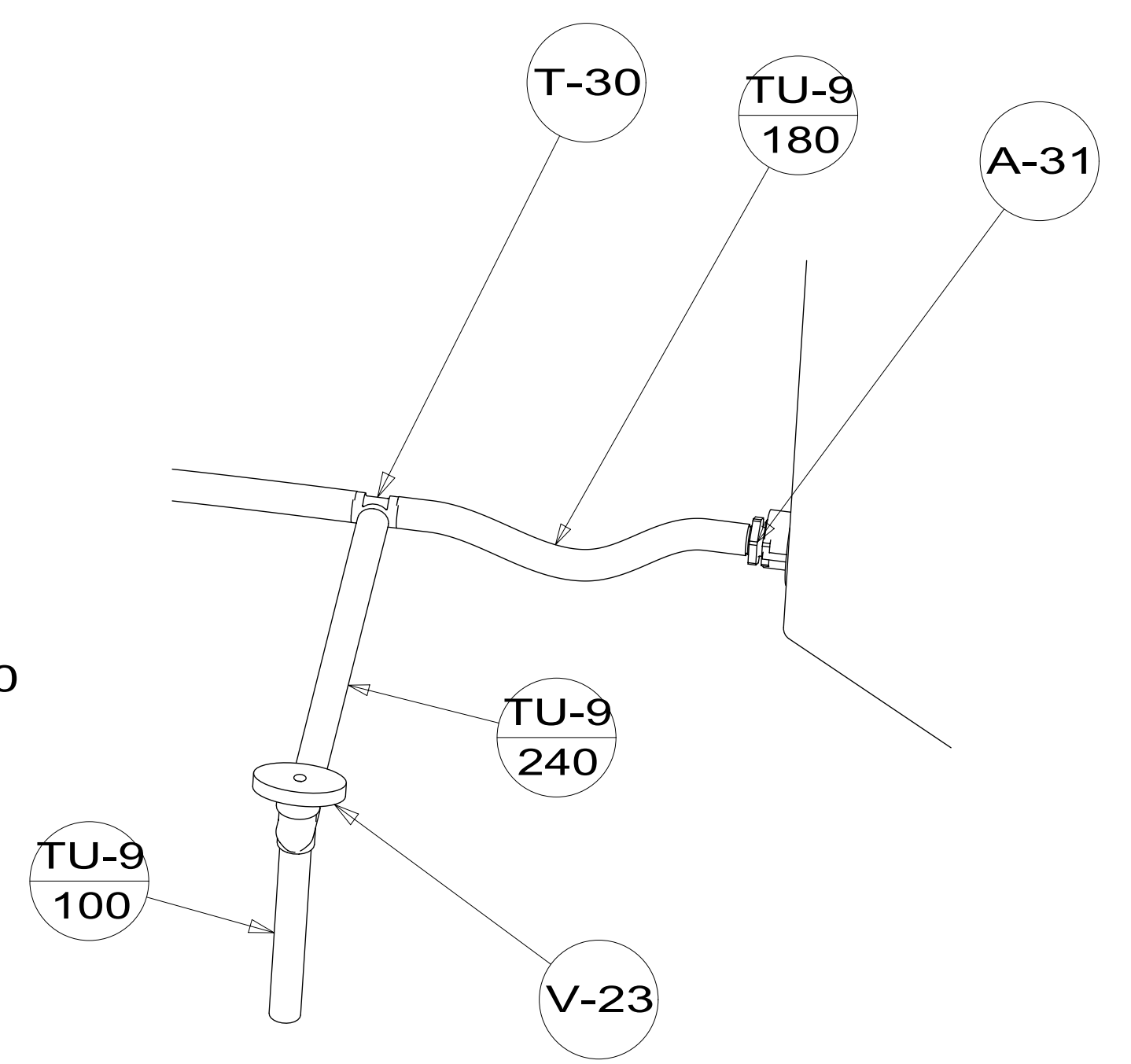
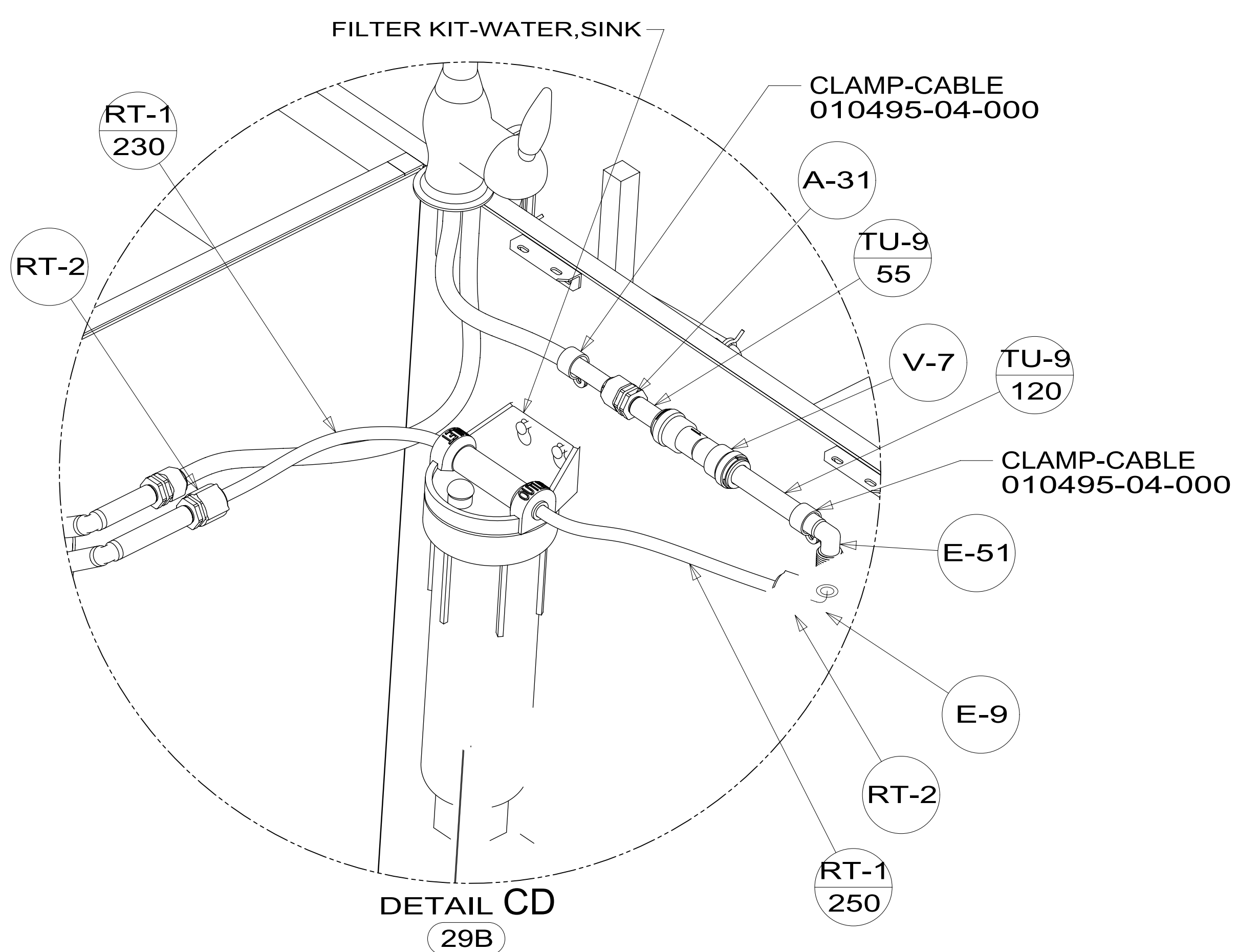
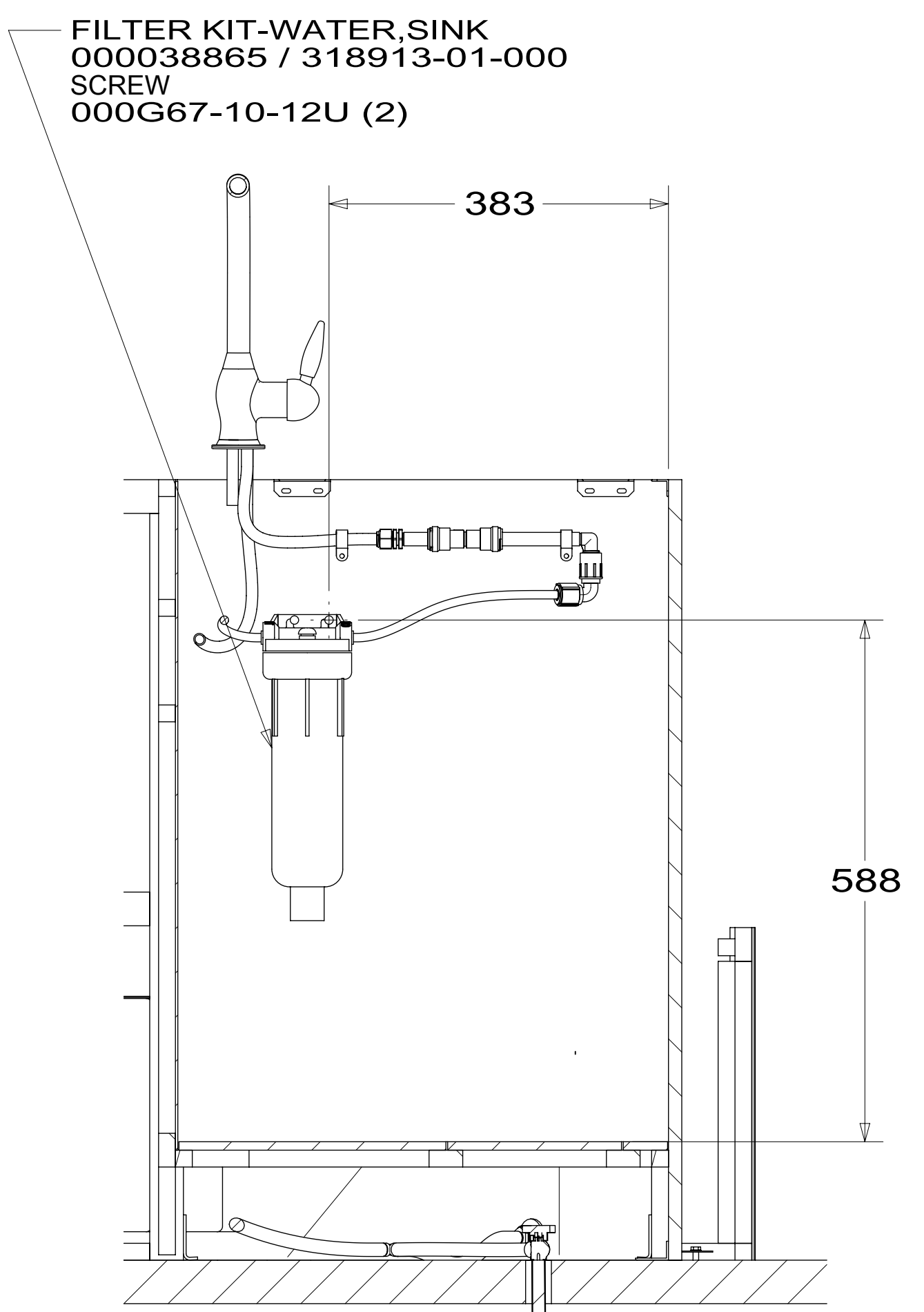
DESCRIPTION: WATER SYSTEM INSTL		
SHEET: 2 OF 3	ITEM/PART NO: 000180943 / 30094801000	REV

*300948



SECTION CE-CE

VIEW CB
(SHOWN W/OUT CABINETS)



SECTION CF-CF
(ROTATED)

DETAIL CD
(29B)

DETAIL CC
(SHOWN W/OUT CABINETS & FLOOR)

DESCRIPTION:		
WATER SYSTEM INSTL		
SHEET:	ITEM/PART NO:	REV
3 OF 3	000180943 / 30094801000	

300948