

- 11. PREP THE SURFACE PER MANUFACTURERS INSTRUCTIONS BEFORE APPLYING THE HEATING PAD.
- 10. SEE WIRING INSTL-BODY FOR ELECTRICAL CONNECTION.
- 9. SEE DRAWING 061607 FOR INSTALLATION OF GROMMETS.
- 8. SECURE DRAINAGE PIPES TO CABINET USING WIRE TIE 108046-02-000, AND SCREW 000G67-10-12U AT INTERVALS OF NOT OF NOT MORE THAN 4 FEET APART.
- 7. SECURE VENT PIPE TO FLOOR WITH CLAMP 062401-02-000 (2), SCREW 000G67-10-12U (2), BRACKET 136878-01-CHT (2).
- 6. VENT PIPE MUST PROJECT 51 MIN AND 64 MAX ABOVE ROOF FOR PROPER FIT AND FUNCTION. ADD S-1 (116666-01-CHT SEAL-VENT PIPE) AROUND PIPE ON ROOF BEFORE VENT CAP IS INSTALLED.
- 5. SEAL AROUND SHOWER WITH SILICONE.
- 4. USE SMOOTH PLUMBERS PUTTY 167459-01-000 TO SEAL STRAINER (0.2 PER STRAINER).
- 3. ALL PIPE AND FITTINGS TO BE ASSEMBLED WITH SOLVENT 004020-01-000 (USA), 004020-02-000 (CAN)
- 2. SLOPE OF TRAP ARM MUST BE 6 PER 305 mm.
- 1. SLOPE OF HORIZONTAL PIPING TO BE MINIMUM OF 3 PER 305 mm.

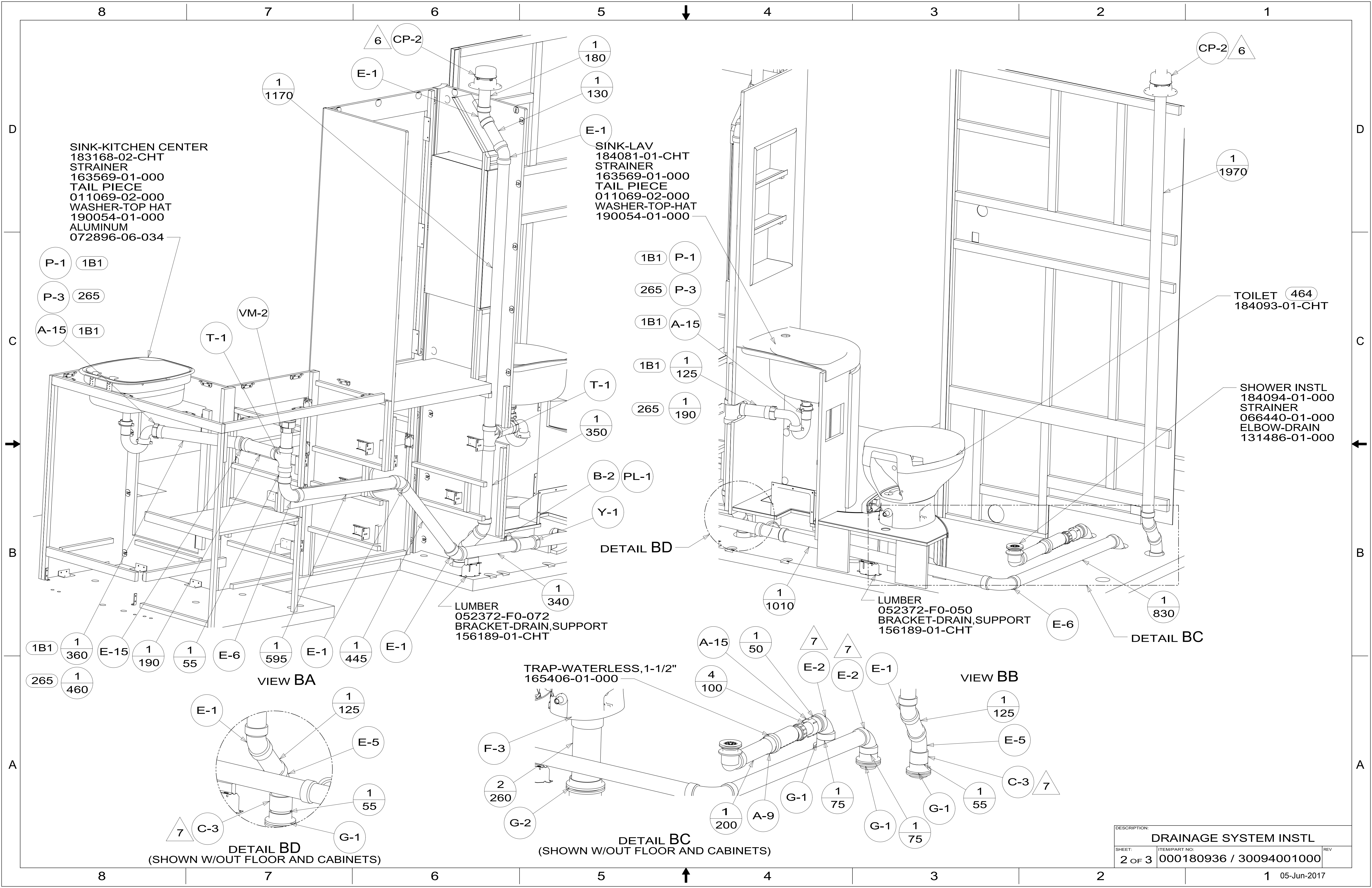
NOTES:

- 1B1 CODES/STANDARDS USA
- 265 CODES/STANDARDS-CSA/CMVSS
- 23T DRAINAGE SYSTEM-HEATED
- 1JD DRAINAGE SYSTEM-HEATED-W/O
- 464 TOILET

X-X
FOR
DRAINAGE
CALLOUTS
SEE DWG NO.
000211962 /
303370-01-000

COPYRIGHT 2017 WINNEBAGO INDUSTRIES, INC.

DSNR:		ALL DIMENSIONS ARE IN MILLIMETERS	
DIFTR:			
UNSPECIFIED TOLERANCES:		MATERIAL:	
WHOLE DIM (X)	3		
ONE-PLACE (X.X)	1.5		
TWO-PLACE (X.XX)	0.50		
ANGLE	1°		
REFER TO ES0018 FOR FASTENER TIGHTENING GUIDELINES		WEIGHT: (LBS)	FIRST USED: (REF)
			17 623L
DRAINAGE SYSTEM INSTL			
SHEET:	ITEM/PART NO.:	REV	
1 OF 3	000180936 / 30094001000		
REF:		1 05-Jun-2017	



SINK-KITCHEN CENTER
 183168-02-CHT
 STRAINER
 163569-01-000
 TAIL PIECE
 011069-02-000
 WASHER-TOP HAT
 190054-01-000
 ALUMINUM
 072896-06-034

SINK-LAV
 184081-01-CHT
 STRAINER
 163569-01-000
 TAIL PIECE
 011069-02-000
 WASHER-TOP-HAT
 190054-01-000

TOILET 464
 184093-01-CHT

SHOWER INSTL
 184094-01-000
 STRAINER
 066440-01-000
 ELBOW-DRAIN
 131486-01-000

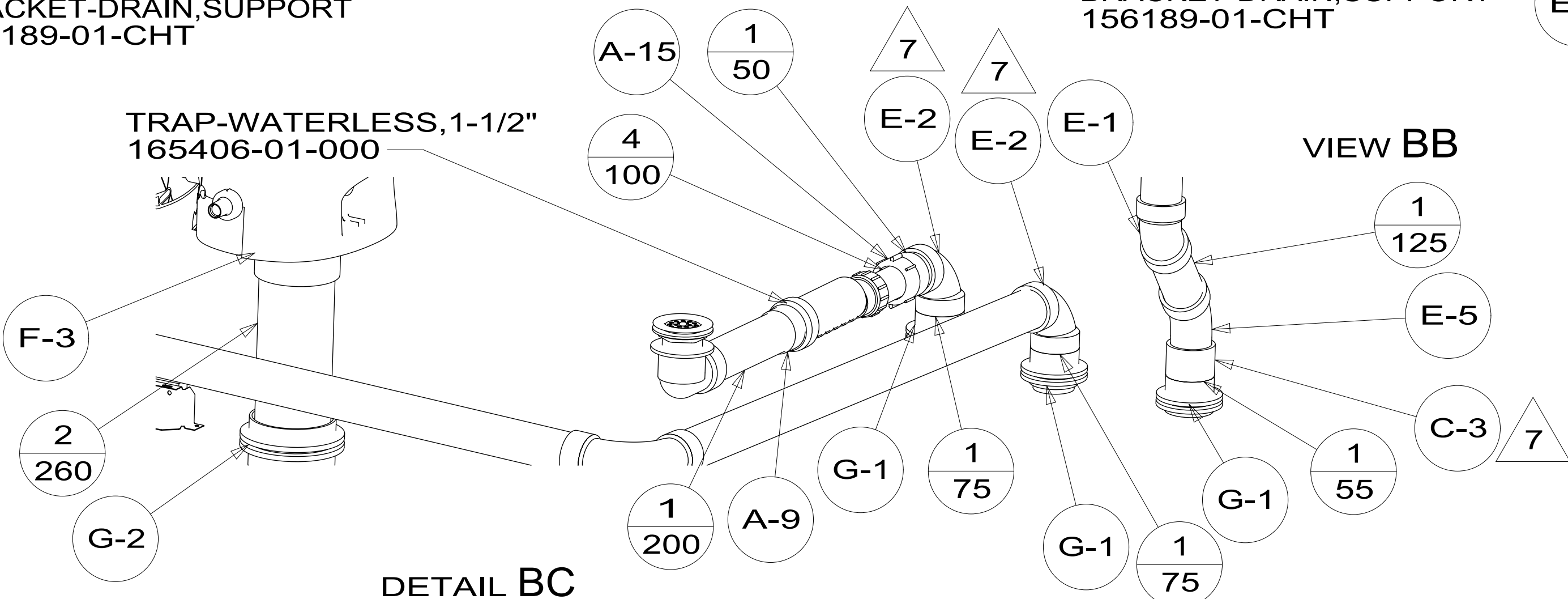
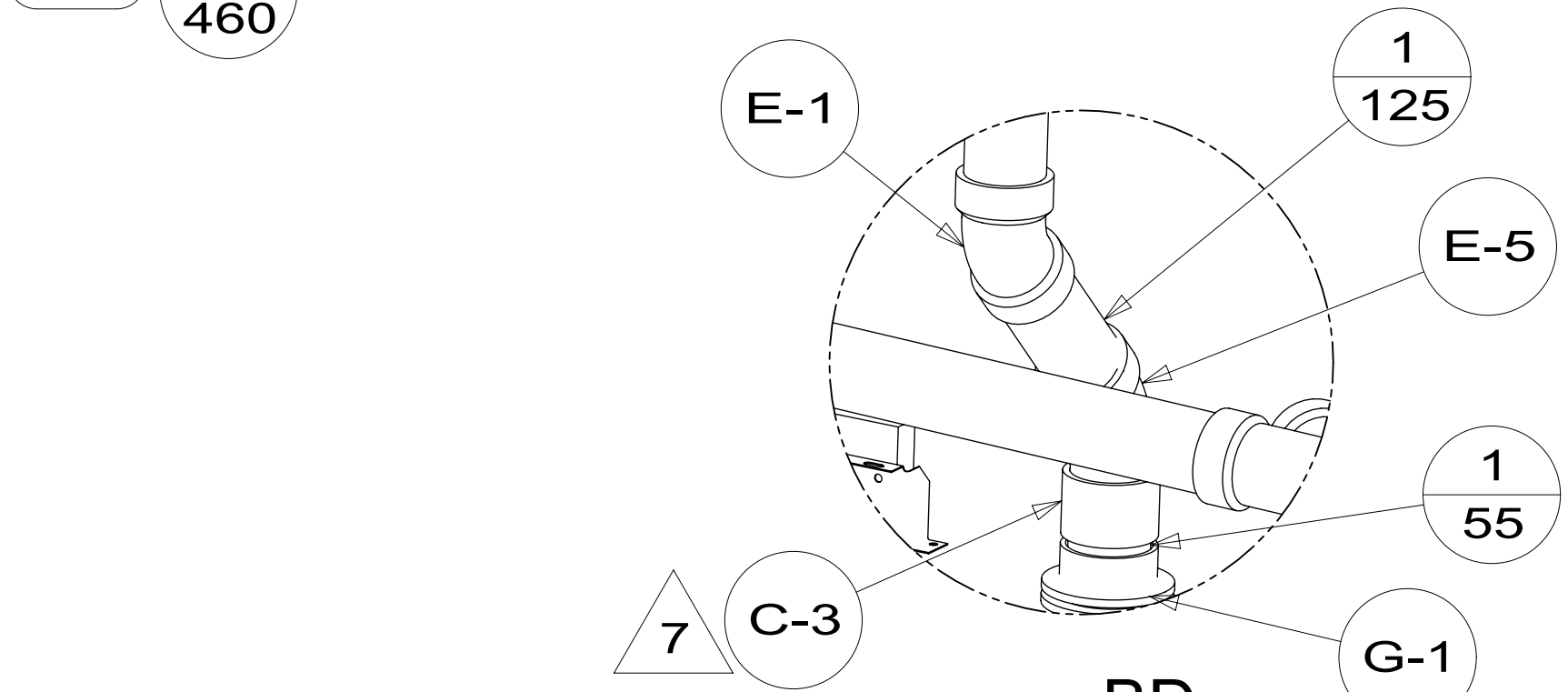
LUMBER
 052372-F0-072
 BRACKET-DRAIN,SUPPORT
 156189-01-CHT

LUMBER
 052372-F0-050
 BRACKET-DRAIN,SUPPORT
 156189-01-CHT

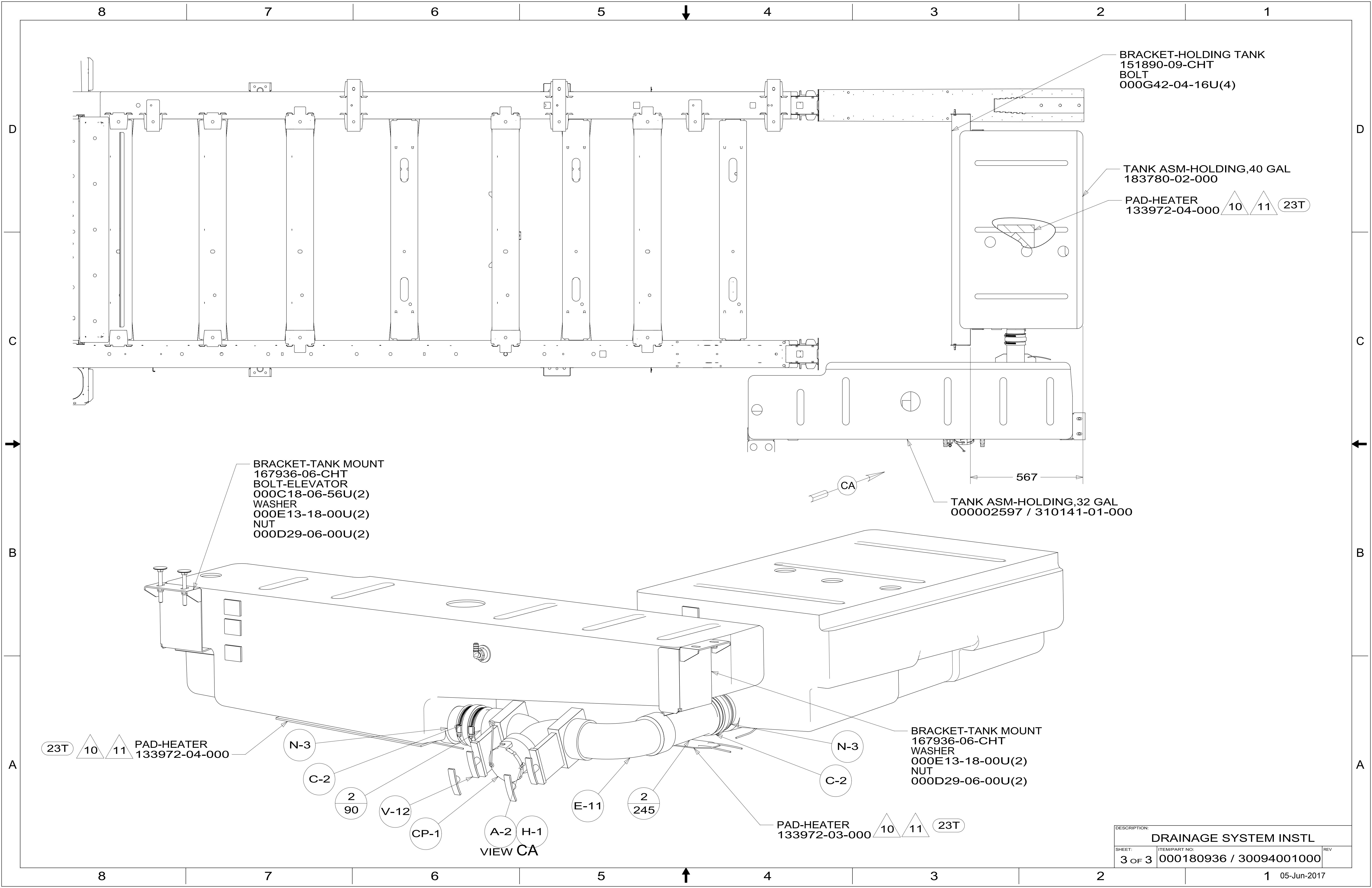
TRAP-WATERLESS, 1-1/2"
 165406-01-000

- P-1 1B1
- P-3 265
- A-15 1B1
- VM-2
- T-1
- 1 1170
- E-1
- 6 CP-2
- 1 180
- 1 130
- E-1
- 1 360
- E-15
- 1 190
- 1 55
- E-6
- 1 595
- E-1
- 1 445
- E-1
- 1 340
- 1 1010
- 1 830
- 1 360
- 1 460

- 1B1 P-1
- 265 P-3
- 1B1 A-15
- 1B1 1 125
- 265 1 190
- T-1
- 1 350
- B-2 PL-1
- Y-1
- 1 1010
- 1 830



DESCRIPTION: DRAINAGE SYSTEM INSTL		
SHEET: 2 OF 3	ITEM/PART NO: 000180936 / 30094001000	REV



BRACKET-HOLDING TANK
151890-09-CHT
BOLT
000G42-04-16U(4)

TANK ASM-HOLDING, 40 GAL
183780-02-000

PAD-HEATER
133972-04-000 10 11 23T

BRACKET-TANK MOUNT
167936-06-CHT
BOLT-ELEVATOR
000C18-06-56U(2)
WASHER
000E13-18-00U(2)
NUT
000D29-06-00U(2)

TANK ASM-HOLDING, 32 GAL
000002597 / 310141-01-000

567

CA

23T 10 11 PAD-HEATER
133972-04-000

BRACKET-TANK MOUNT
167936-06-CHT
WASHER
000E13-18-00U(2)
NUT
000D29-06-00U(2)

N-3

C-2

$\frac{2}{90}$

V-12

CP-1

A-2

H-1

VIEW CA

E-11

$\frac{2}{245}$

N-3

C-2

PAD-HEATER
133972-03-000 10 11 23T

DESCRIPTION:		
DRAINAGE SYSTEM INSTL		
SHEET:	ITEM/PART NO.:	REV
3 OF 3	000180936 / 30094001000	