

13. WHEN INSTALLING TOILET, SCRAP THE SUPPLIED LAGGING BOLTS FOR PLASTIC BRACKET TO FLOOR ONLY. USE SCREW 000G11-08-06U (2) TO LOCATE AND FASTEN STEEL BRACKET TO FLOOR. THEN FASTEN DOWN PLASTIC BRACKETS TO FLOOR USING SCREW 000G42-04-24U (2) AND SUPPLIED PLASTIC ANCHORS. PLACE TOILET OVER THE BRACKETS AND FASTEN USING SUPPLIED HARDWARE AND THEN USE WHITE CAPS TO COVER SCREWS.

- 21S WASHER & DRYER-PAIR
- 21M WASHER/DRYER PREP
- 1B1 CODES/STANDARDS USA
- 265 CODES/STANDARDS-CSA/CMVSS

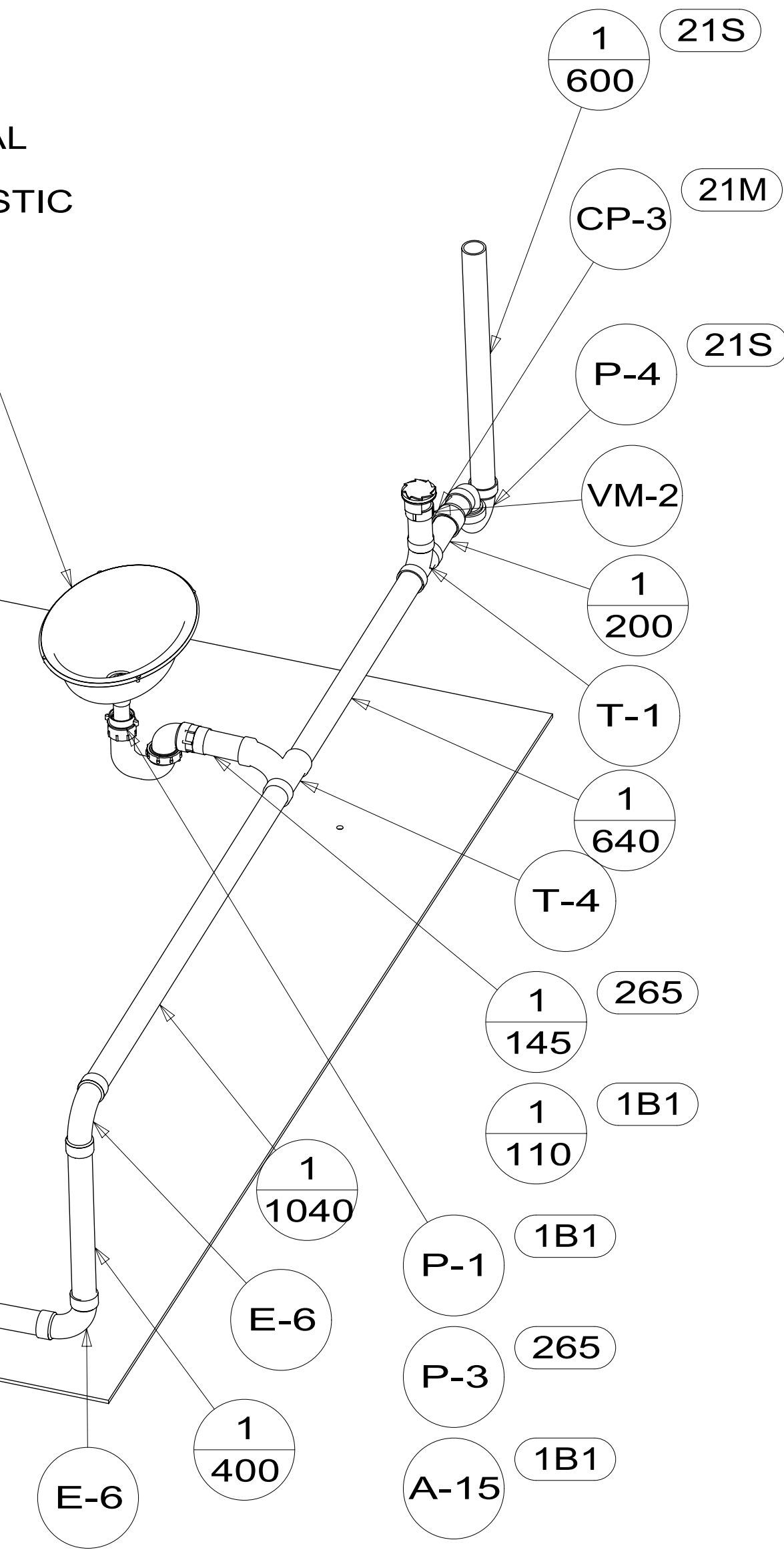
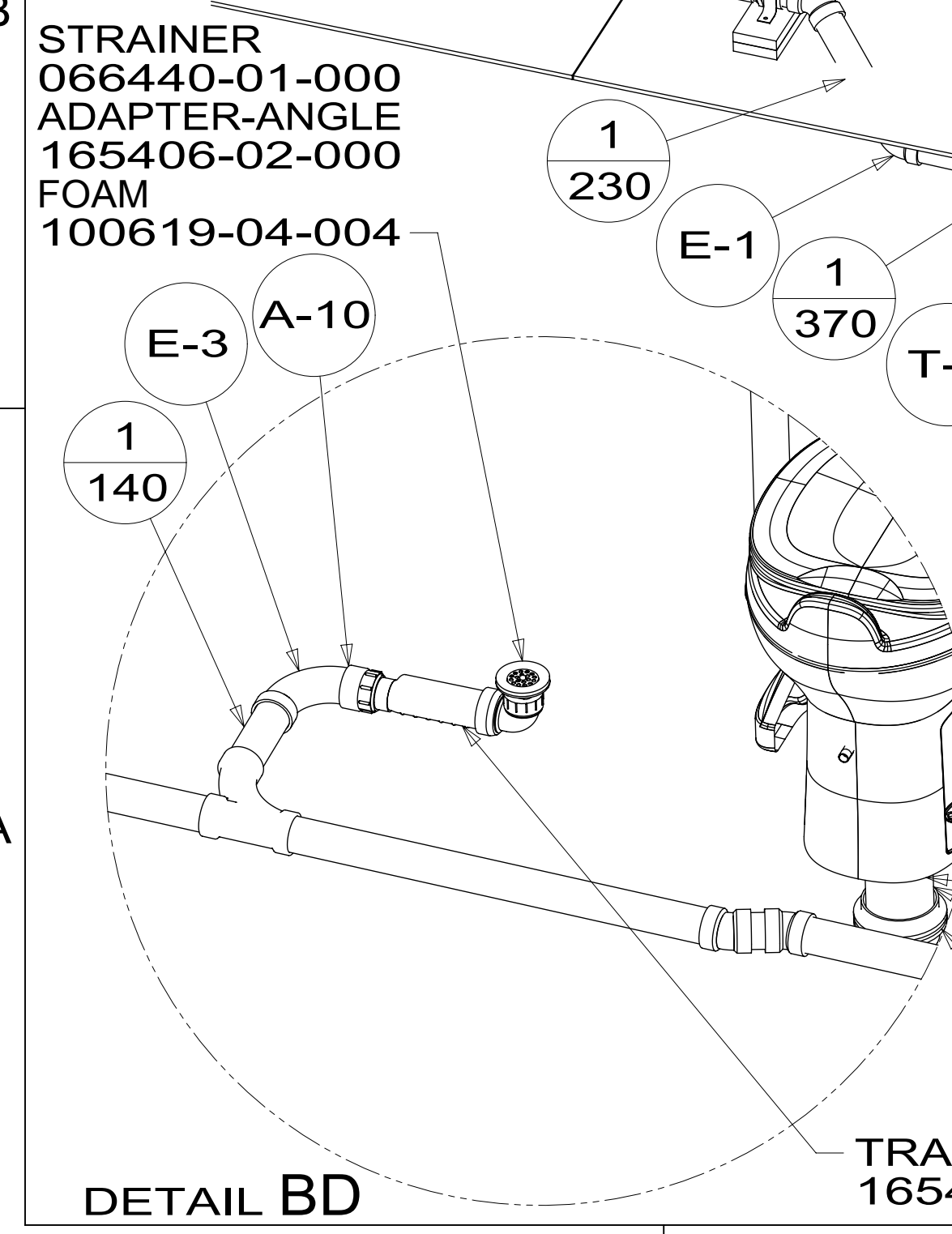
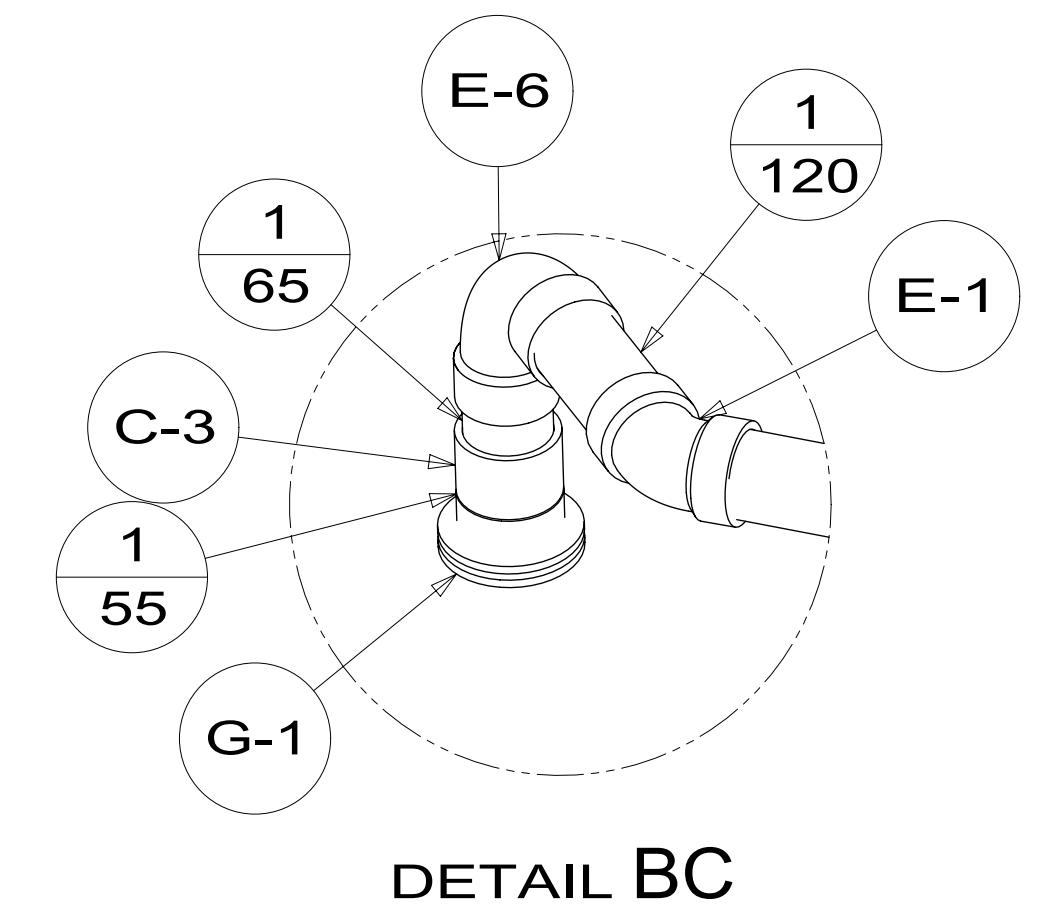
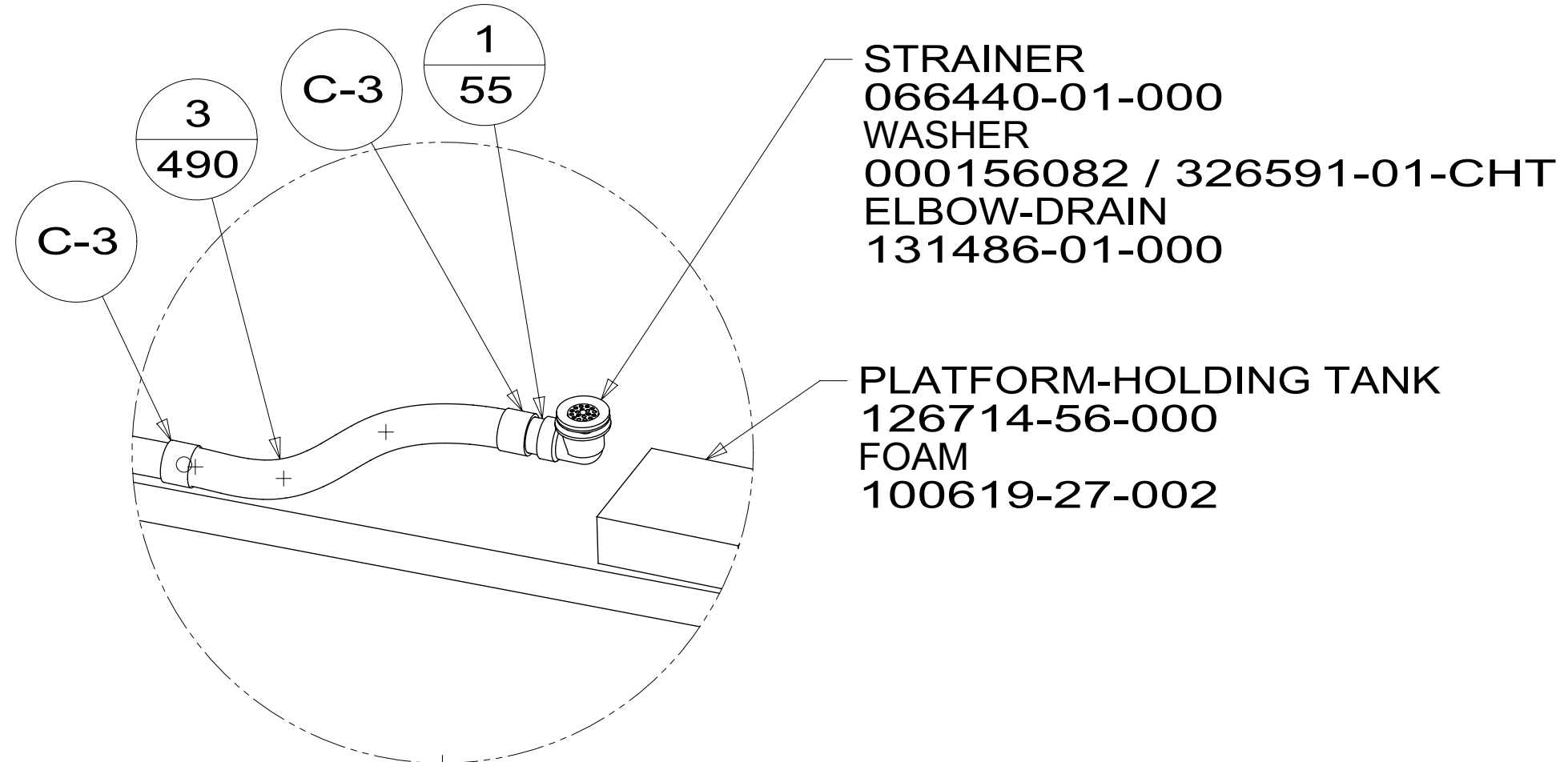
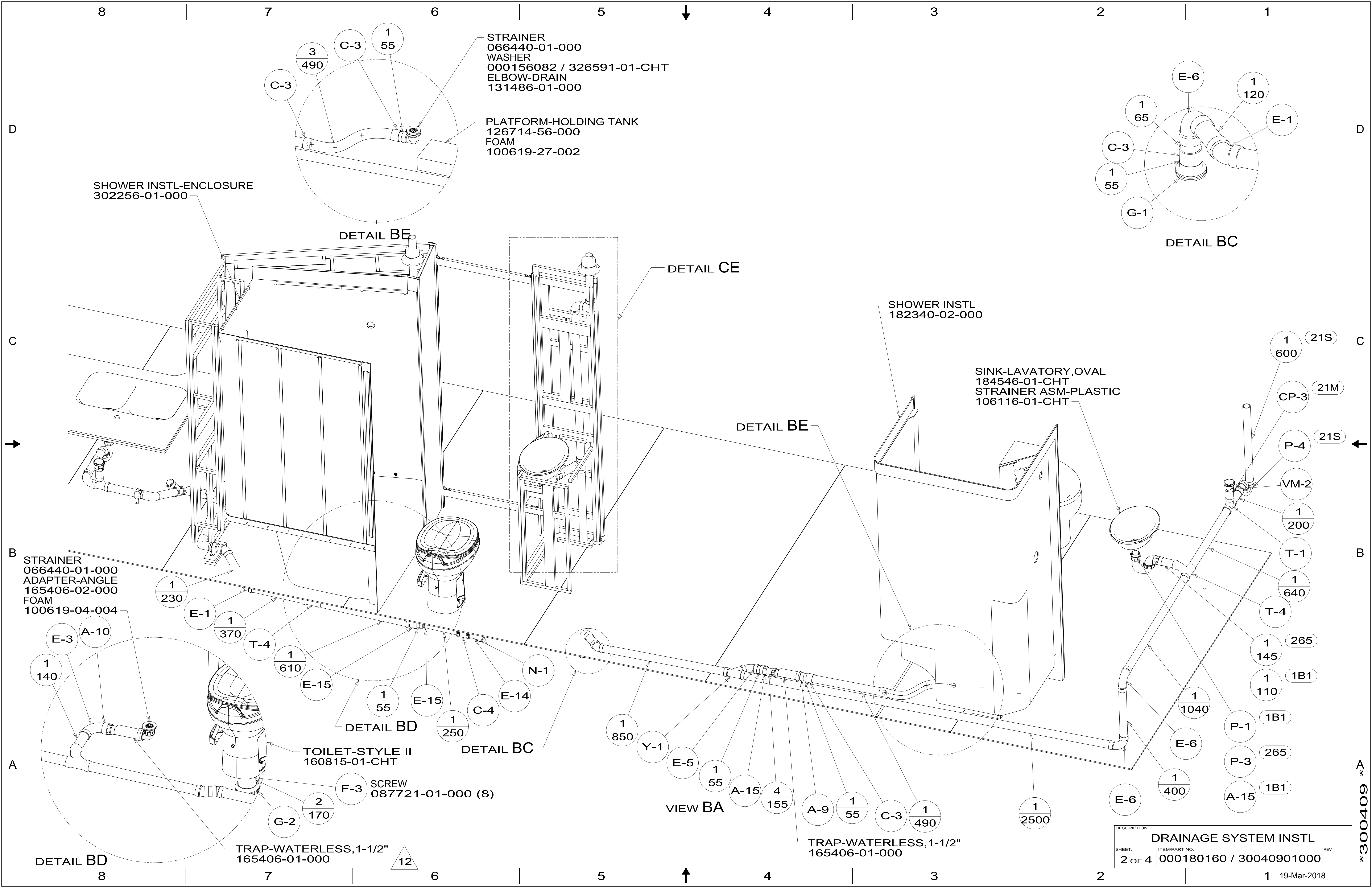


DSNR:		ALL DIMENSIONS ARE IN MILLIMETERS	
DFTR:			
UNSPECIFIED TOLERANCES:		MATERIAL:	
WHOLE DIM (X)	3		
ONE-PLACE (X.X)	1.5		
TWO-PLACE (X.XX)	0.50		
ANGLE	1°		
REFER TO ES0018 FOR FASTENER TIGHTENING GUIDELINES		WEIGHT: (LBS)	FIRST USED: (REF)
			17 L38W
DESCRIPTION:			
DRAINAGE SYSTEM INSTL			
SHEET:	ITEM/PART NO.:	REV	
1 OF 4	000180160 / 30040901000		
REF:		1 19-Mar-2018	


  
 FOR DRAINAGE CALLOUTS  
 SEE DWG NO.  
 000211962 /  
 303370-01-000

NOTES:

\*300409 A



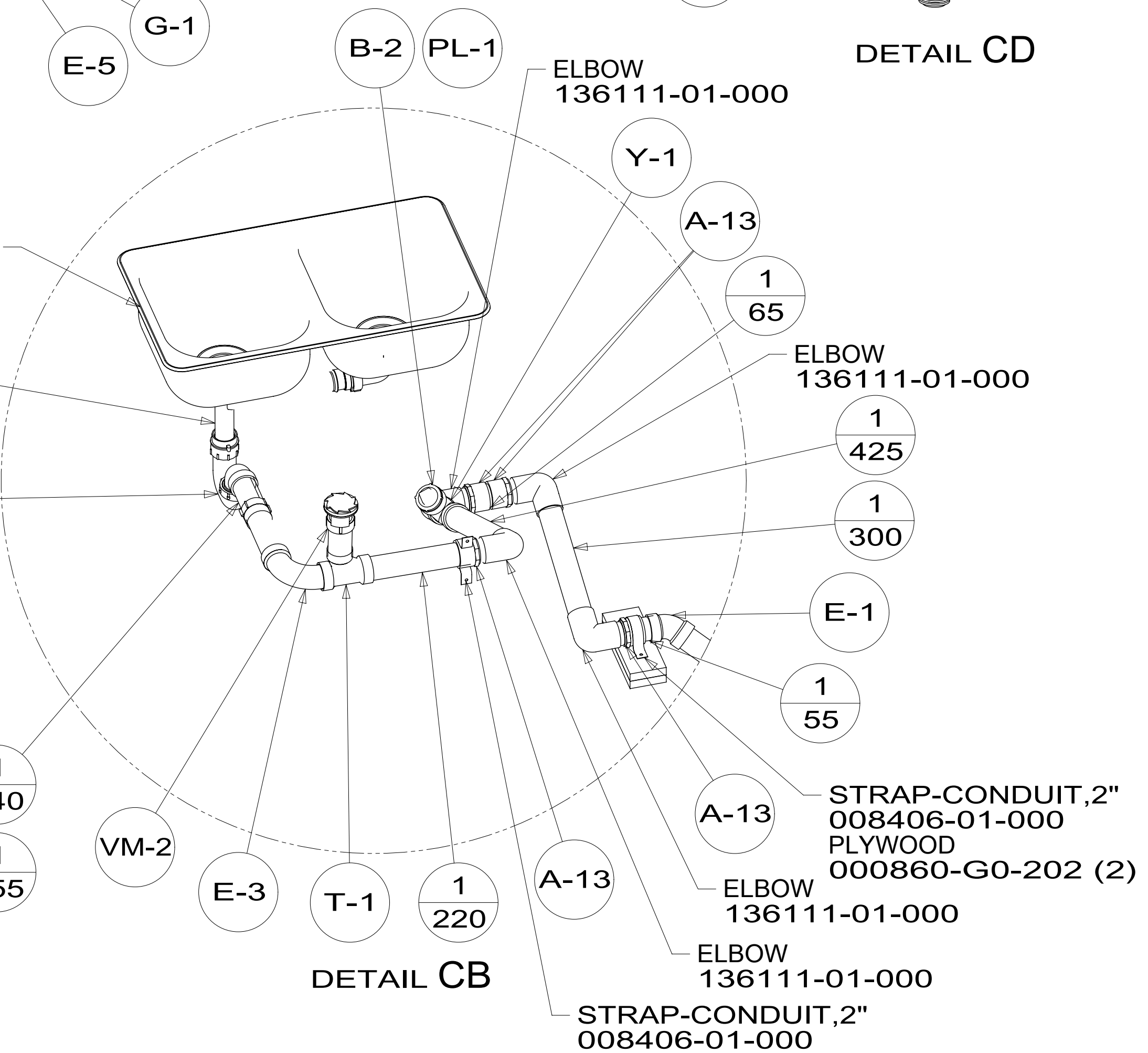
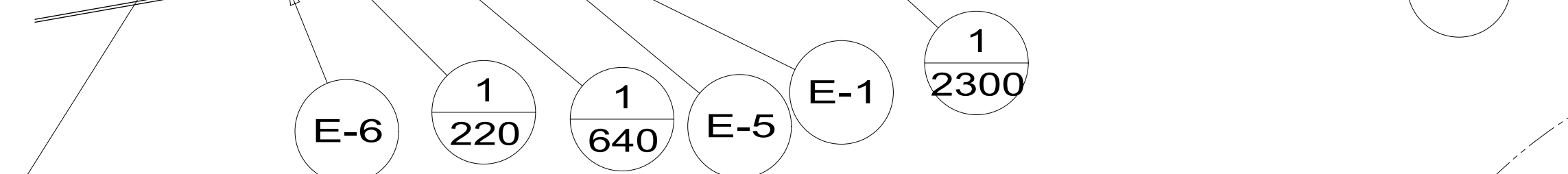
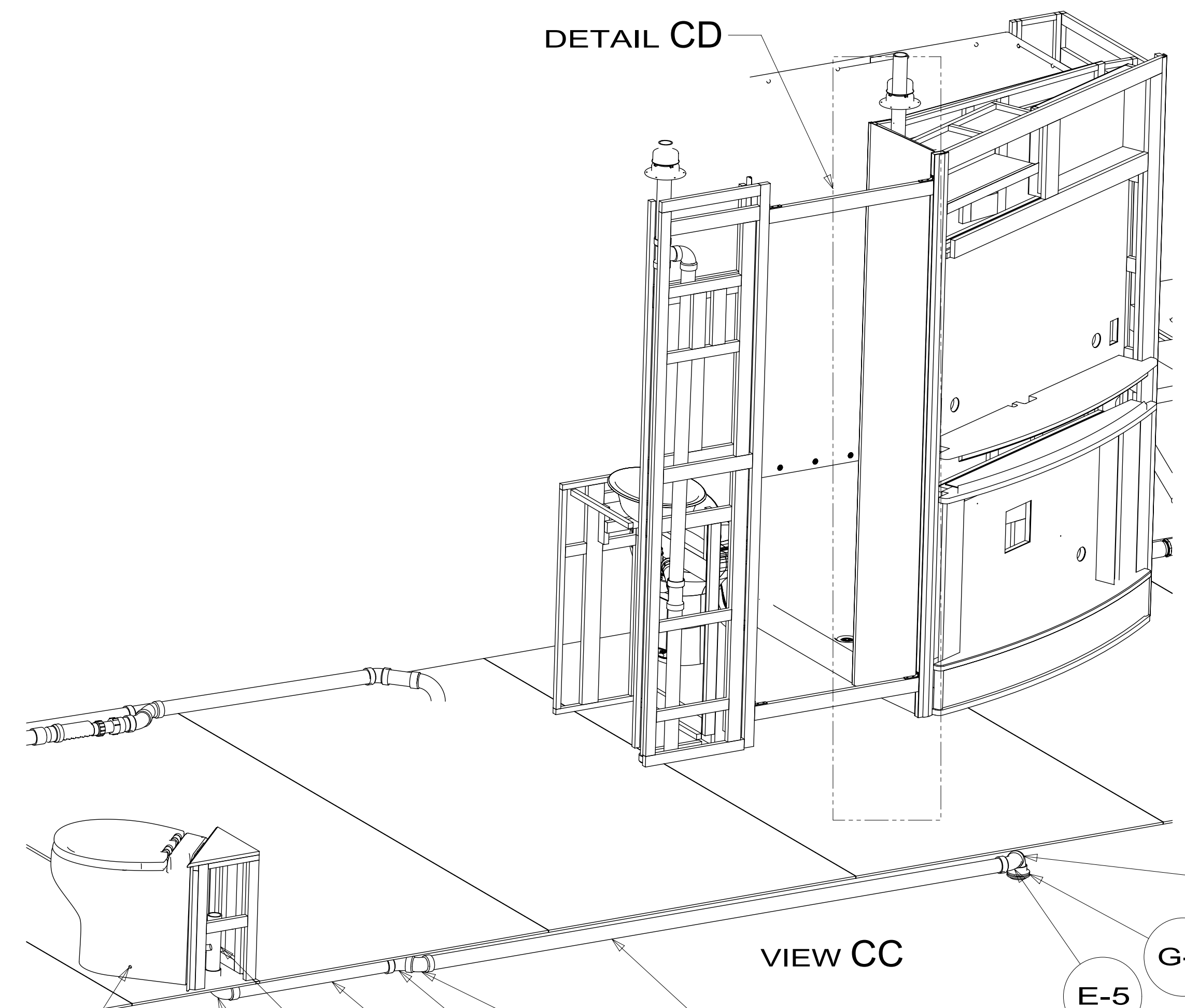
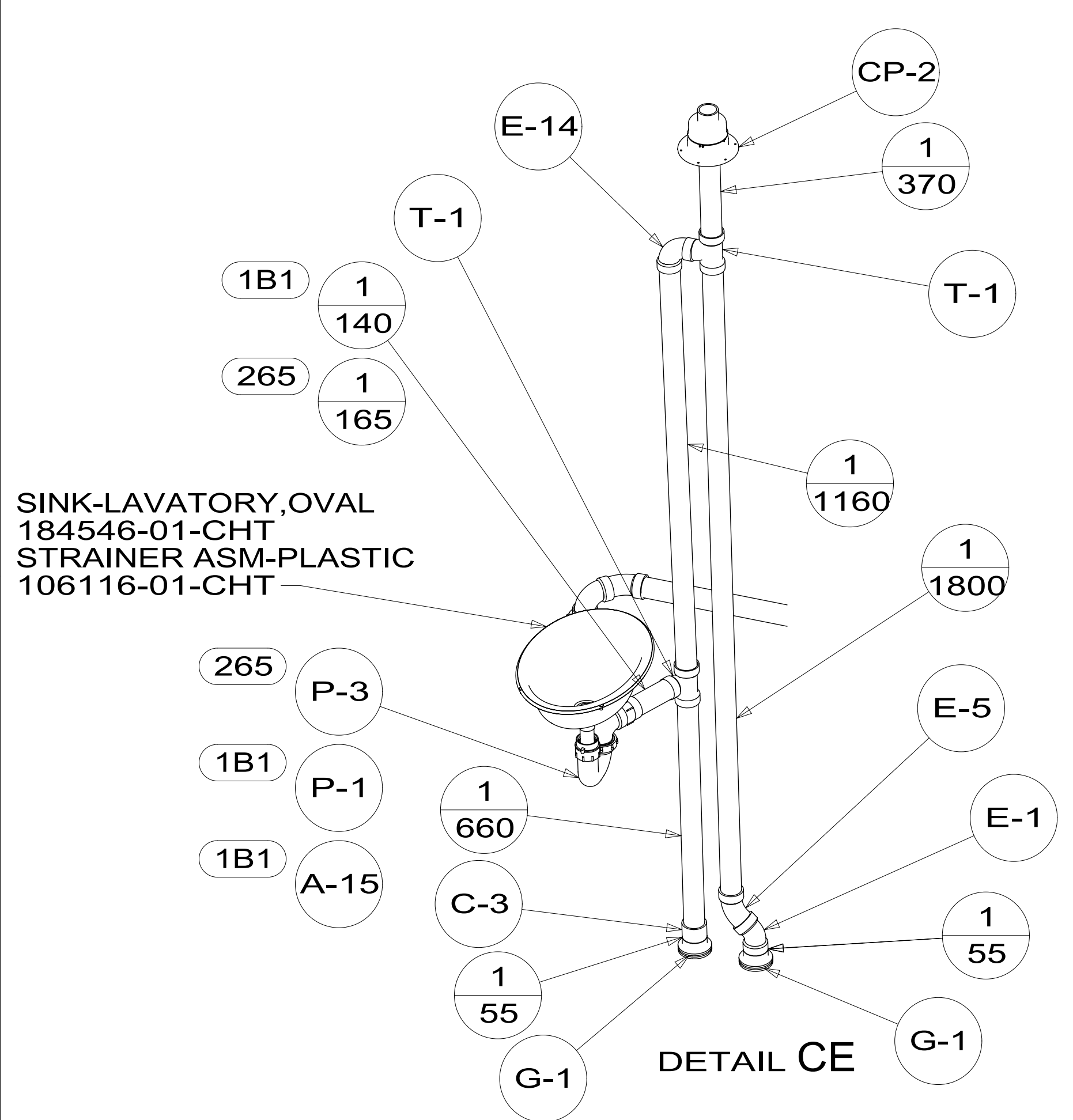
DESCRIPTION: <b>DRAINAGE SYSTEM INSTL</b>		
SHEET: 2 OF 4	ITEM/PART NO: 000180160 / 30040901000	REV
		19-Mar-2018

\*300409 A\*

SINK-LAVATORY, OVAL  
184546-01-CHT  
STRAINER ASM-PLASTIC  
106116-01-CHT

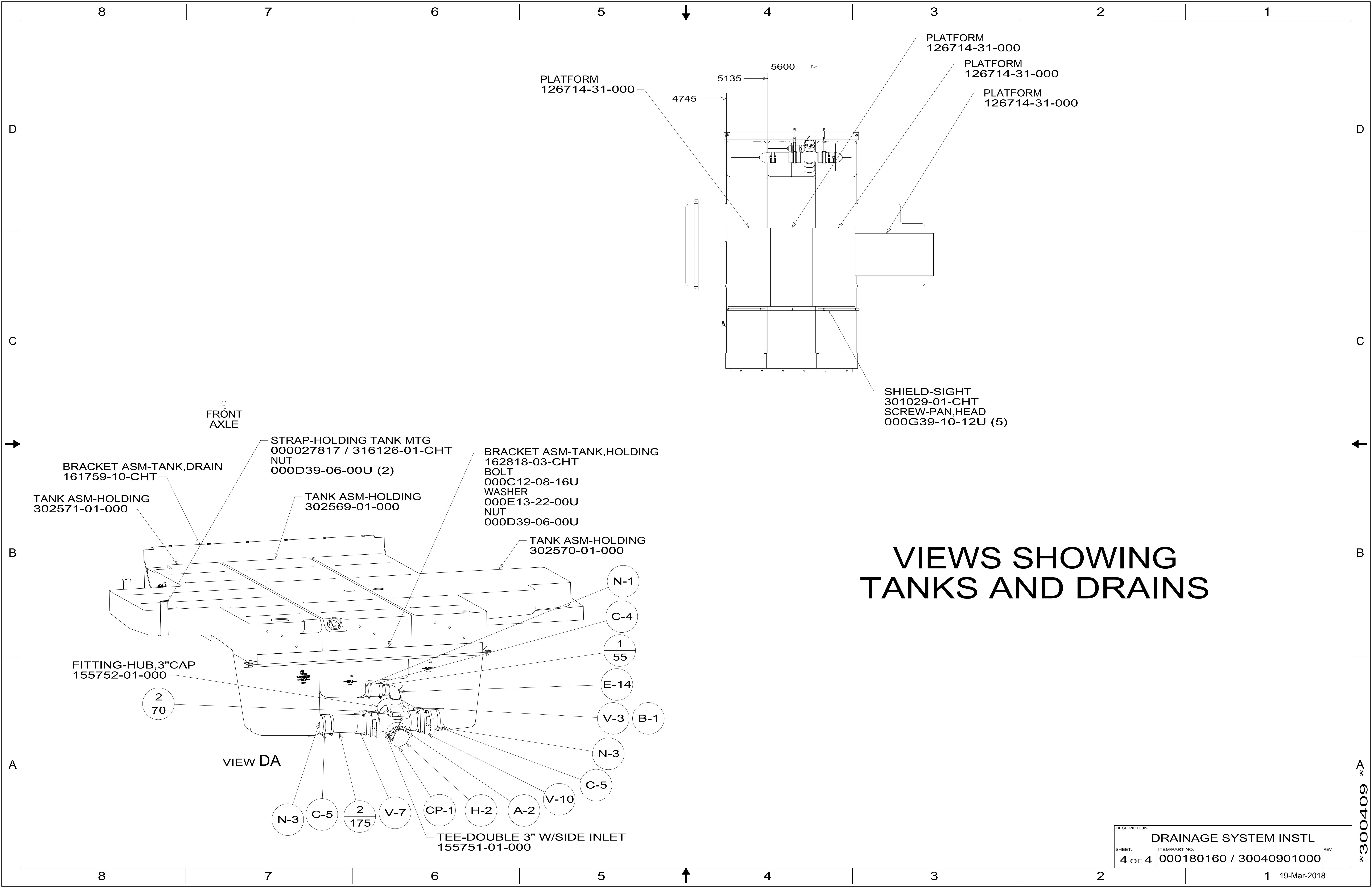
TOILET KIT-TECMA, MACERATOR  
000157148 / 326919-01-CHT  
BRACKET-TOILET  
000157535 / 327029-01-CHT

SINK-GALLEY  
184806-01-CHT



DESCRIPTION: <b>DRAINAGE SYSTEM INSTL</b>		
SHEET: 3 OF 4	ITEM/PART NO: 000180160 / 30040901000	REV

\*300409 A\*



# VIEWS SHOWING TANKS AND DRAINS

DESCRIPTION: <b>DRAINAGE SYSTEM INSTL</b>		
SHEET: 4 OF 4	ITEM/PART NO: 000180160 / 30040901000	REV