

FRONT OF COACH

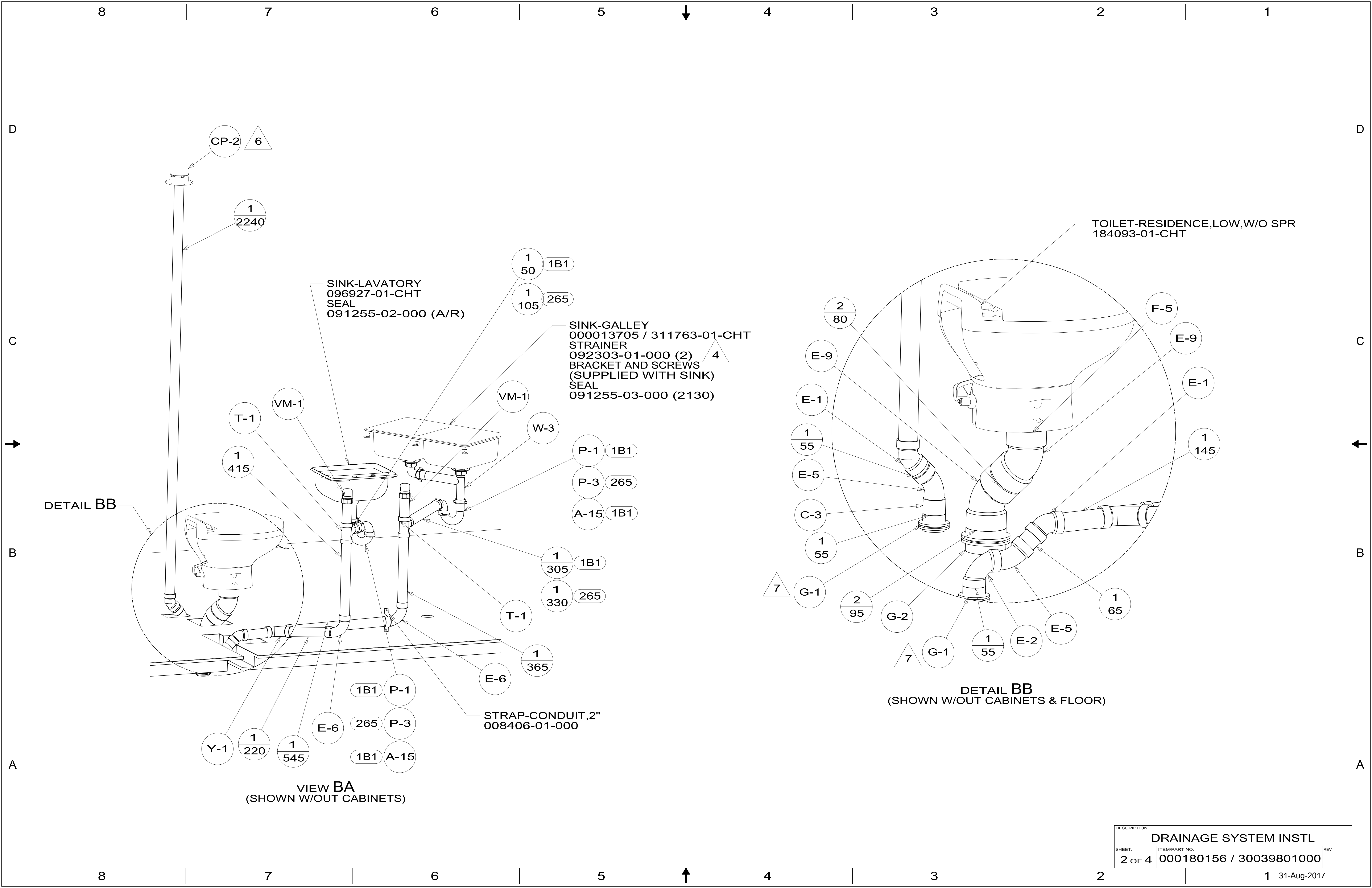
- 10. VALVE TERMINATION TEE TO BE POSITIONED AT 10° DOWN AND OUTBOARD.
- 9. SEE DRAWING 061607 FOR INSTALLATION OF GROMMETS.
- 8. SECURE DRAINAGE PIPES TO CABINET USING WIRE TIE 108046-02-000, AND SCREW 000G67-10-12U AT INTERVALS OF NOT OF NOT MORE THAN 4 FEET APART.
- 7. SECURE VENT PIPE TO TANK WITH CLAMP 062401-02-000.
- 6. VENT PIPE MUST PROJECT 51 MIN AND 64 MAX ABOVE ROOF FOR PROPER FIT AND FUNCTION. ADD S-1 (116666-01-CHT SEAL-VENT PIPE) AROUND PIPE ON ROOF BEFORE VENT CAP IS INSTALLED.
- 5. SEAL AROUND SHOWER WITH SILICONE.
- 4. USE SMOOTH PLUMBERS PUTTY 167459-01-000 TO SEAL STRAINER (0.2 PER STRAINER).
- 3. ALL PIPE AND FITTINGS TO BE ASSEMBLED WITH SOLVENT 004020-01-000 (USA), 004020-02-000 (CAN)
- 2. SLOPE OF TRAP ARM MUST BE 6 PER 305 mm.
- 1. SLOPE OF HORIZONTAL PIPING TO BE MINIMUM OF 3 PER 305 mm.

1B1 CODES/STANDARDS USA
 265 CODES/STANDARDS-CSA/CMVSS

WINNEBAGO
 COPYRIGHT 2017 WINNEBAGO INDUSTRIES, INC.

DSNR:		ALL DIMENSIONS ARE IN MILLIMETERS	
DIFFR:			
UNSPECIFIED TOLERANCES:		MATERIAL:	
WHOLE DIM (X)	3		
ONE-PLACE (X.X)	1.5		
TWO-PLACE (X.XX)	0.50		
ANGLE	1°		
REFER TO ES0018 FOR FASTENER TIGHTENING GUIDELINES	WEIGHT: (LBS)	FIRST USED: (REF)	
DESCRIPTION: DRAINAGE SYSTEM INSTL			
SHEET: 1 OF 4	ITEM/PART NO: 000180156 / 30039801000	REV:	

X-X
 FOR DRAINAGE CALLOUTS SEE DWG NO 116229-01-000



CP-2 6

1
2240

SINK-LAVATORY
096927-01-CHT
SEAL
091255-02-000 (A/R)

1
50 1B1

1
105 265

SINK-GALLEY
000013705 / 311763-01-CHT
STRAINER
092303-01-000 (2) 4
BRACKET AND SCREWS
(SUPPLIED WITH SINK)
SEAL
091255-03-000 (2130)

T-1

VM-1

VM-1

W-3

P-1 1B1

P-3 265

A-15 1B1

1
415

DETAIL BB

1
305 1B1

1
330 265

T-1

1
365

E-6

STRAP-CONDUIT, 2"
008406-01-000

1B1 P-1

E-6 265 P-3

1B1 A-15

Y-1

1
220

1
545

VIEW BA
(SHOWN W/OUT CABINETS)

TOILET-RESIDENCE, LOW, W/O SPR
184093-01-CHT

F-5

E-9

E-1

1
145

2
80

E-9

E-1

1
55

E-5

C-3

1
55

7

G-1

2
95

G-2

7

G-1

1
55

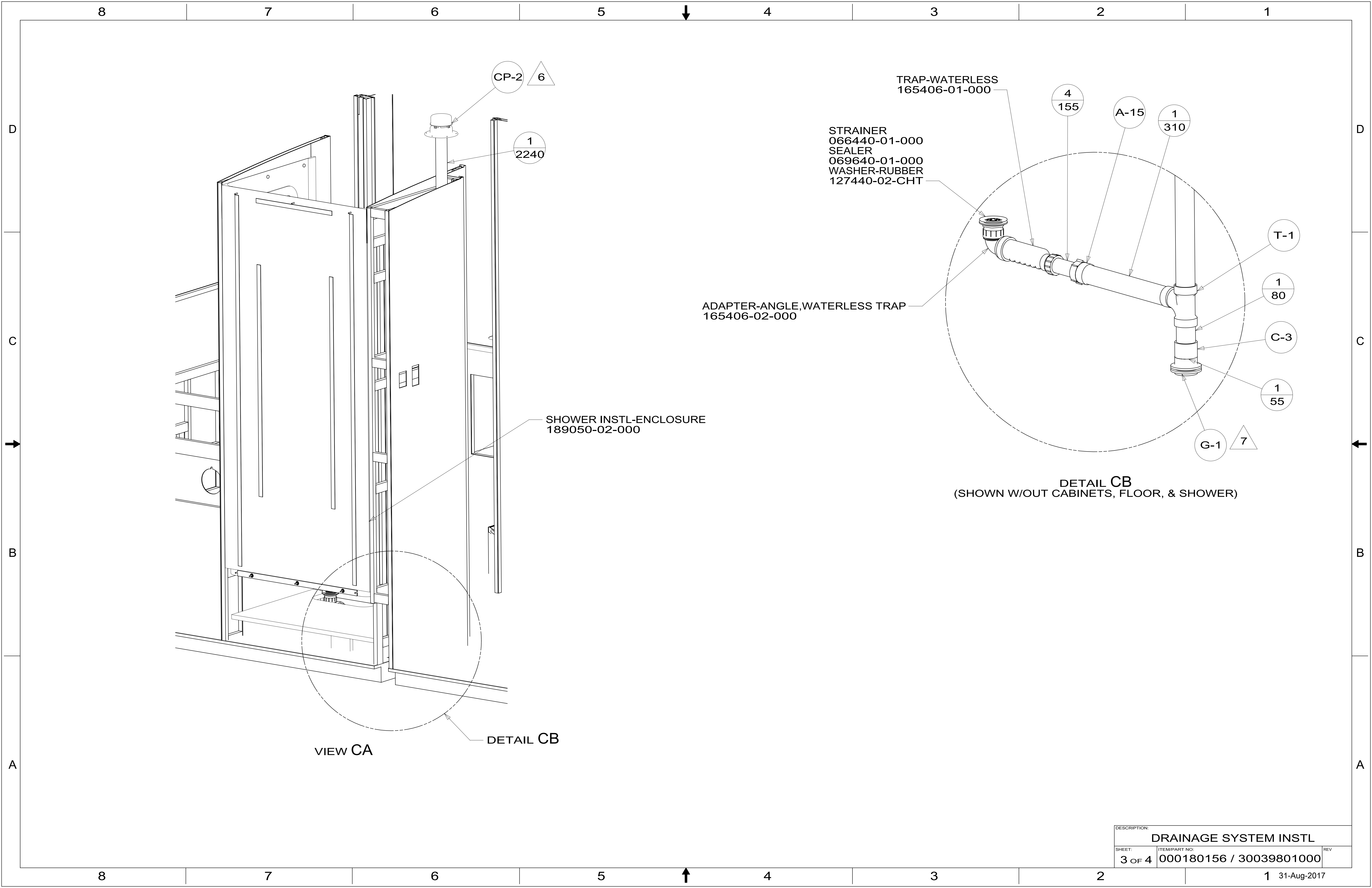
E-2

E-5

1
65

DETAIL BB
(SHOWN W/OUT CABINETS & FLOOR)

DESCRIPTION: DRAINAGE SYSTEM INSTL		
SHEET: 2 OF 4	ITEM/PART NO: 000180156 / 30039801000	REV



CP-2 6

1
2240

TRAP-WATERLESS
165406-01-000

4
155

A-15

1
310

STRAINER
066440-01-000
SEALER
069640-01-000
WASHER-RUBBER
127440-02-CHT

T-1

1
80

C-3

1
55

G-1 7

ADAPTER-ANGLE, WATERLESS TRAP
165406-02-000

SHOWER INSTL-ENCLOSURE
189050-02-000

DETAIL CB
(SHOWN W/OUT CABINETS, FLOOR, & SHOWER)

VIEW CA

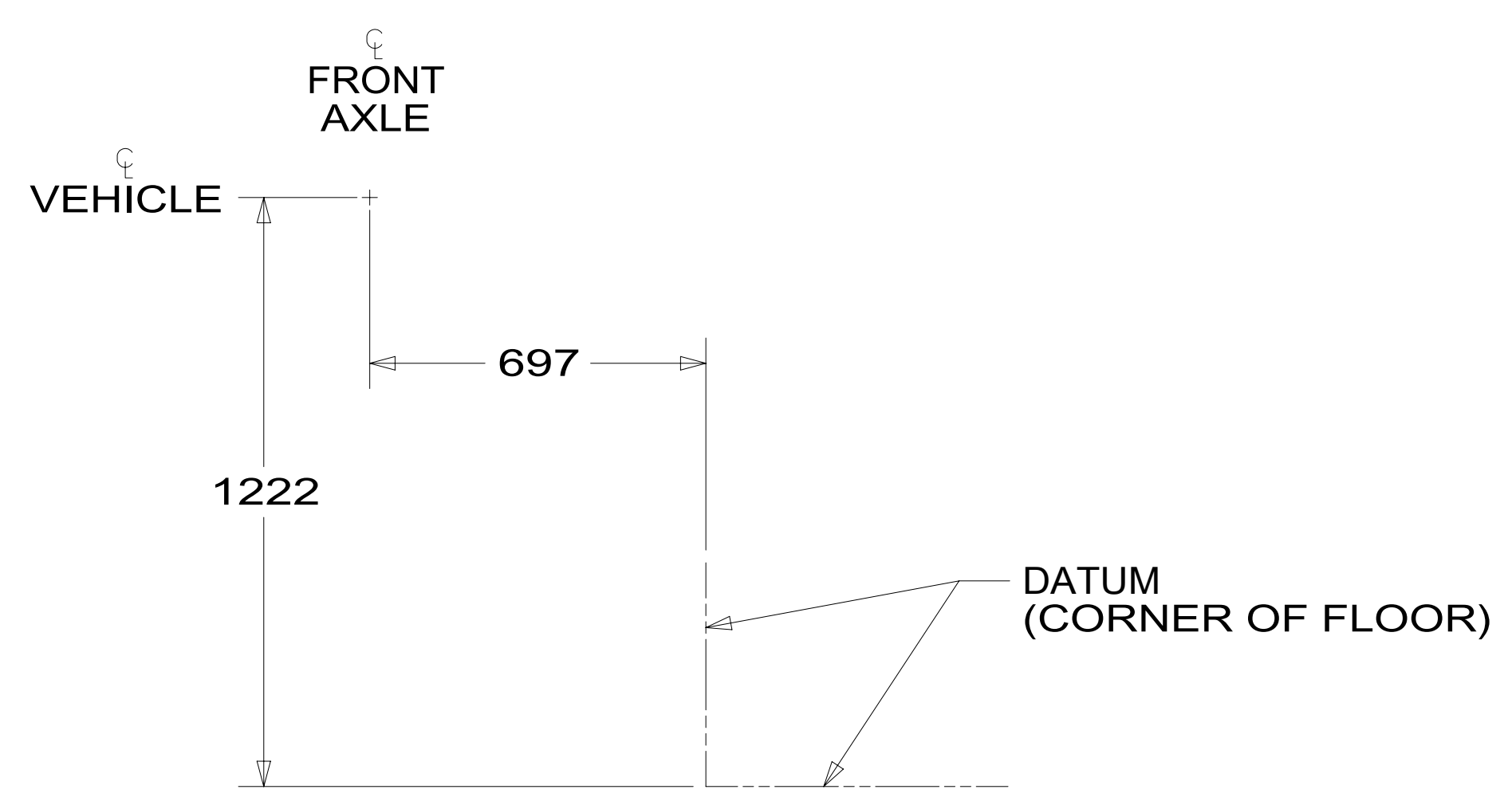
DETAIL CB

DESCRIPTION: DRAINAGE SYSTEM INSTL		
SHEET: 3 OF 4	ITEM/PART NO: 000180156 / 30039801000	REV
		1 31-Aug-2017

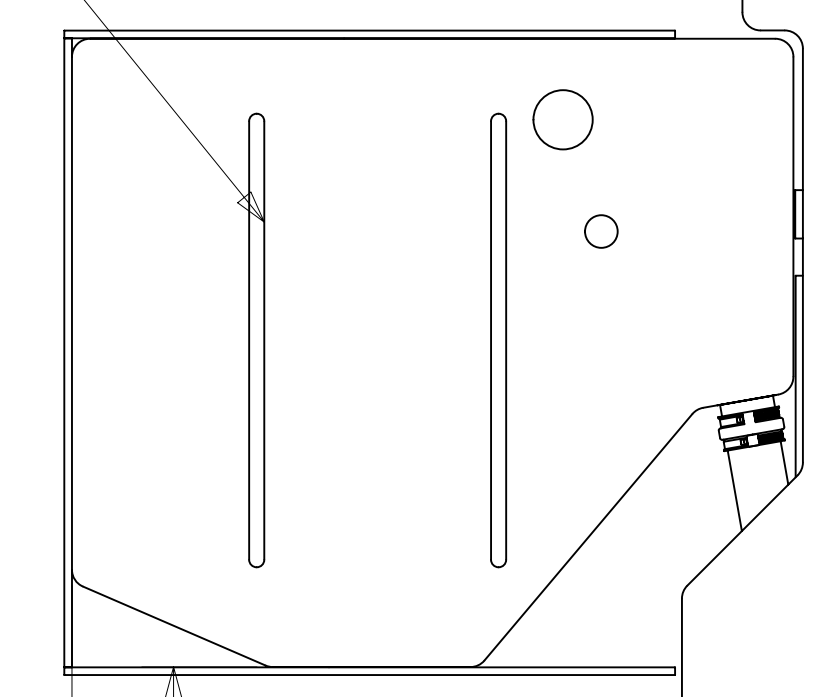
8 7 6 5 4 3 2 1

D

D



TANK ASM-HOLDING, 43 GAL
154458-02-000



BRACKET-HOLDING TANK
126796-06-CHT

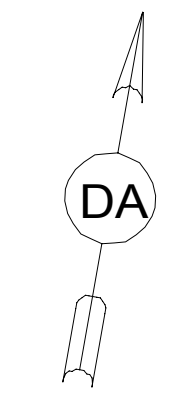
TANK ASM-HOLDING, 38 GAL
154457-05-000

336
STL-TUBE
123963-07-CHT
100
246

BRACKET-HOLDING TANK
126796-04-CHT

3878

SHOWING TANKS AND DRAINS



PLATFORM-HOLDING TANK
126714-30-000(2)

INSULATION-DRAINAGE COMPT
120050-73-000

N-3

2
540

E-18

V-7

E-18

N-3

V-7

E-18

CP-1

H-1

10

A-2

T-5

C-2

FOAM-SUPPORT, HOLDING TANK
130223-04-000

INSULATION-DRAINAGE COMPT
120050-72-000 (2)

INSULATION-DRAINAGE COMPT
120050-74-000

BRACKET-HOLDING TANK
126796-09-CHT

VIEW DA

INSULATION-DRAINAGE COMPT
120050-16-000

8 7 6 5 4 3 2 1

A

A

B

B

C

C

DESCRIPTION: DRAINAGE SYSTEM INSTL		
SHEET: 4 OF 4	ITEM/PART NO: 000180156 / 30039801000	REV
		1 31-Aug-2017