

- 9 FASTEN PLATFORM TO FLOOR AFTER SIDEWALL IS SET AND HEATER IS ATTACHED TO WALL.
- 8. ALL CRIMP FITTINGS TO 1/2" PEX TUBING REQUIRE 1/2" CLAMP 140171-03-000.
- 7. ALL CRIMP FITTINGS TO 5/8" PEX TUBING REQUIRE 5/8" CLAMP 140171-04-000.
- 6 LABEL HOT AND COLD SUPPLY TUBES AND TAPE FITTING TO TUBE BEFORE CABINET SET TO PREVENT MOVEMENT.
- 5 ADD PIPE WRAP (LADDER SCRAP 110157-02-000 ) INSULATION.
- 4 ADD TEFLON TAPE 010405-02-000.
- 3. ALL TUBING TO BE SECURED AT 1200 INTERVALS MAXIMUM WITH CLAMP 010495-01-000 AND SCREW 000G67-10-12U OR EQUIVALENT.
- 2. TUBING TO BE INSTALLED WITH SUFFICIENT SLOPE TO PROVIDE DRAINAGE TO NEAREST VALVE.
- 1. PLASTIC FITTINGS TO BE SEALED WITH SEALANT 084456-01-000.

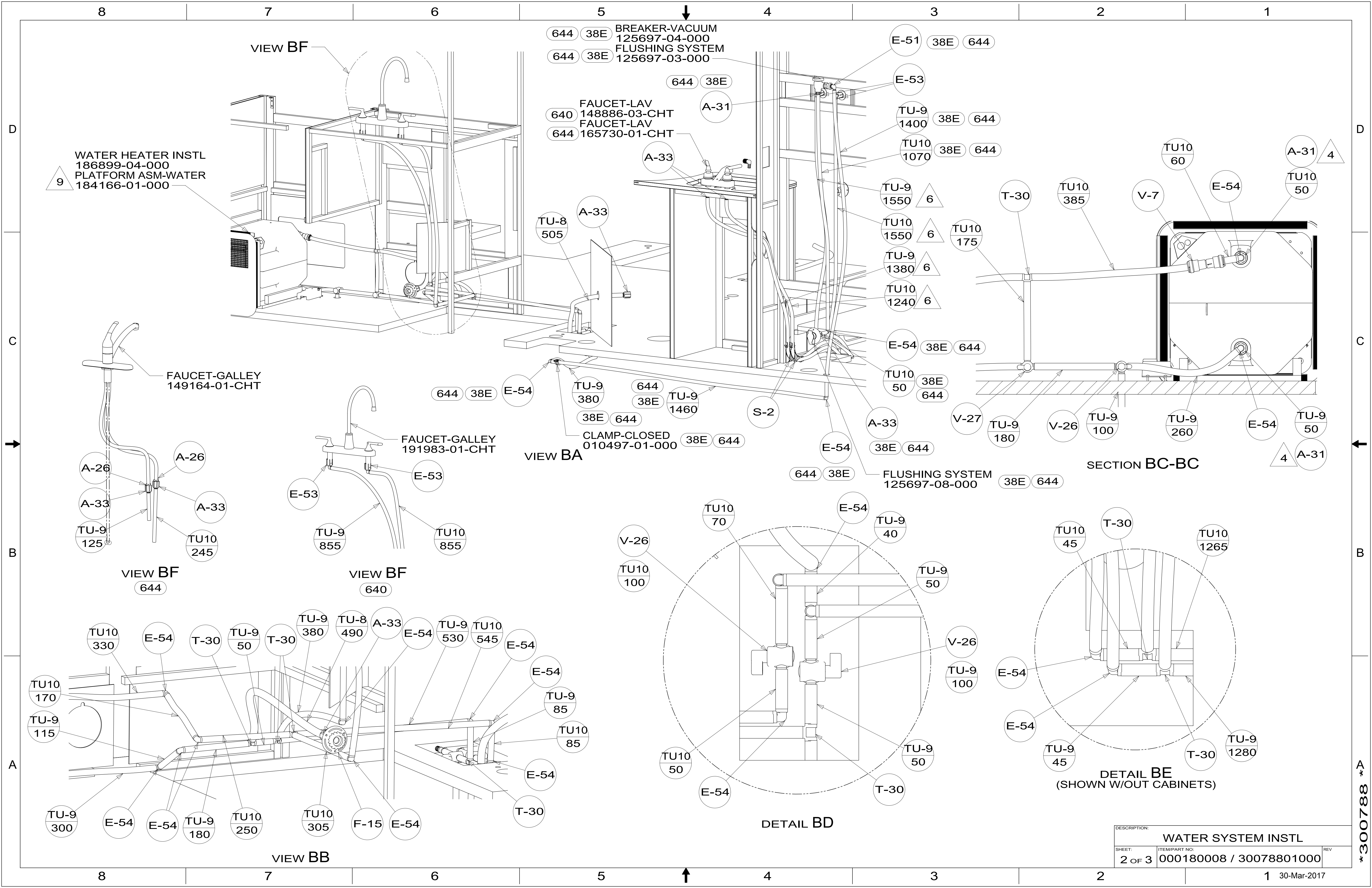
- 38E CONVENIENCE PACKAGE
- 640 RENTAL - GAH WITHOUT
- 644 GREAT ALASKAN RENTAL PACKAGE

X-X  
FOR  
WATER  
CALLOUTS  
SEE DWG NO.  
000209446 /  
303369-01-000

**WINNEBAGO**<sup>®</sup>  
COPYRIGHT 2017 WINNEBAGO INDUSTRIES, INC.

DSNR:		ALL DIMENSIONS ARE IN MILLIMETERS	
DIFTR:			
UNSPECIFIED TOLERANCES:		MATERIAL:	
WHOLE DIM (X)	3		
ONE-PLACE (X.X)	1.5		
TWO-PLACE (X.XX)	0.50		
ANGLE	1°		
REFER TO ES0018 FOR FASTENER TIGHTENING GUIDELINES		WEIGHT: (LBS)	FIRST USED: (REF)
			<b>16 325B</b>
<b>DESCRIPTION:</b>			
<b>WATER SYSTEM INSTL</b>			
SHEET:	ITEM/PART NO:	REV:	
1 OF 3	000180008 / 30078801000		
REF:		1 30-Mar-2017	

\*300788\*



644 38E BREAKER-VACUUM  
125697-04-000  
644 38E FLUSHING SYSTEM  
125697-03-000

640 FAUCET-LAV  
148886-03-CHT  
644 FAUCET-LAV  
165730-01-CHT

9 WATER HEATER INSTL  
186899-04-000  
PLATFORM ASM-WATER  
184166-01-000

FAUCET-GALLEY  
149164-01-CHT

FAUCET-GALLEY  
191983-01-CHT

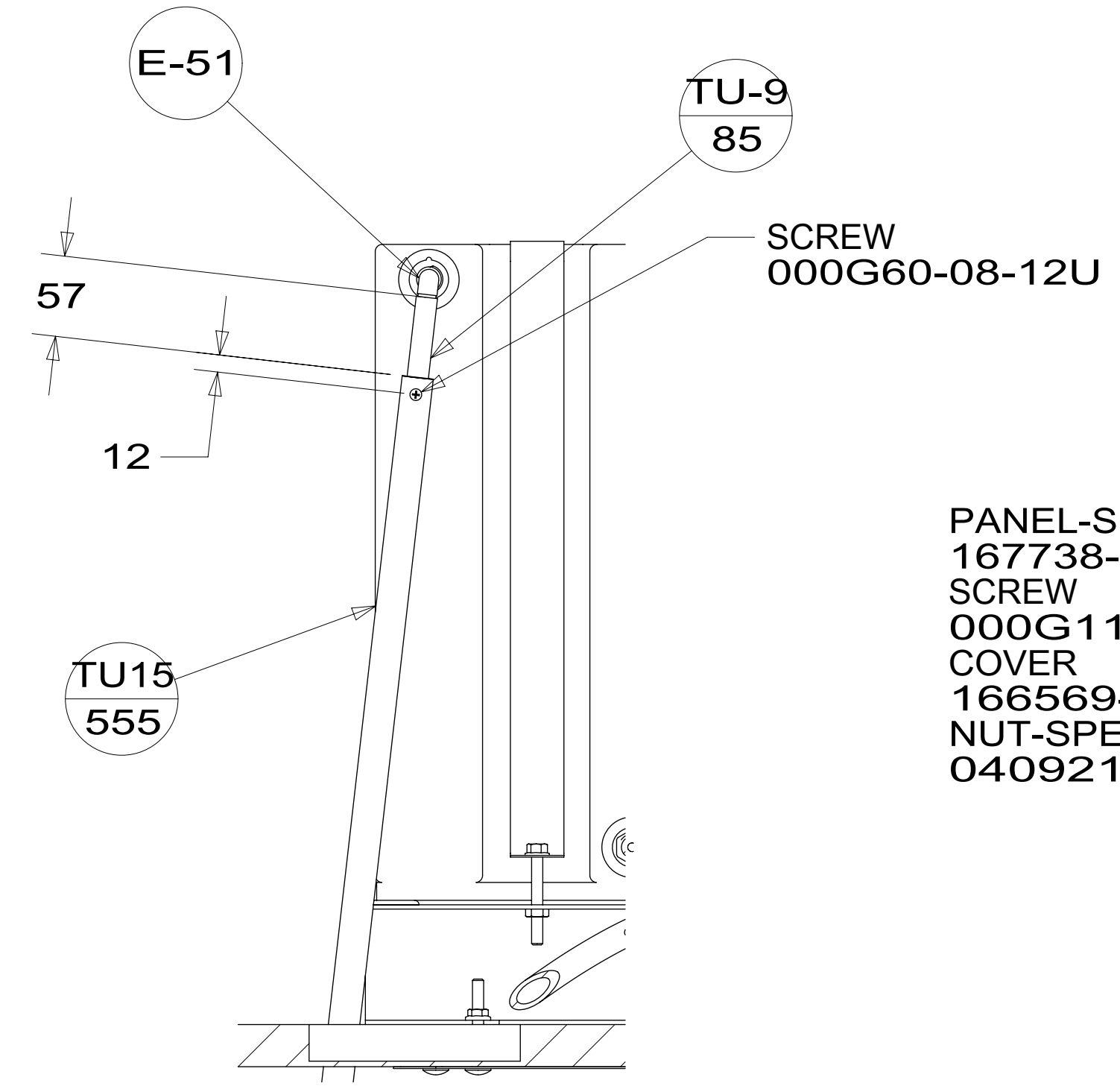
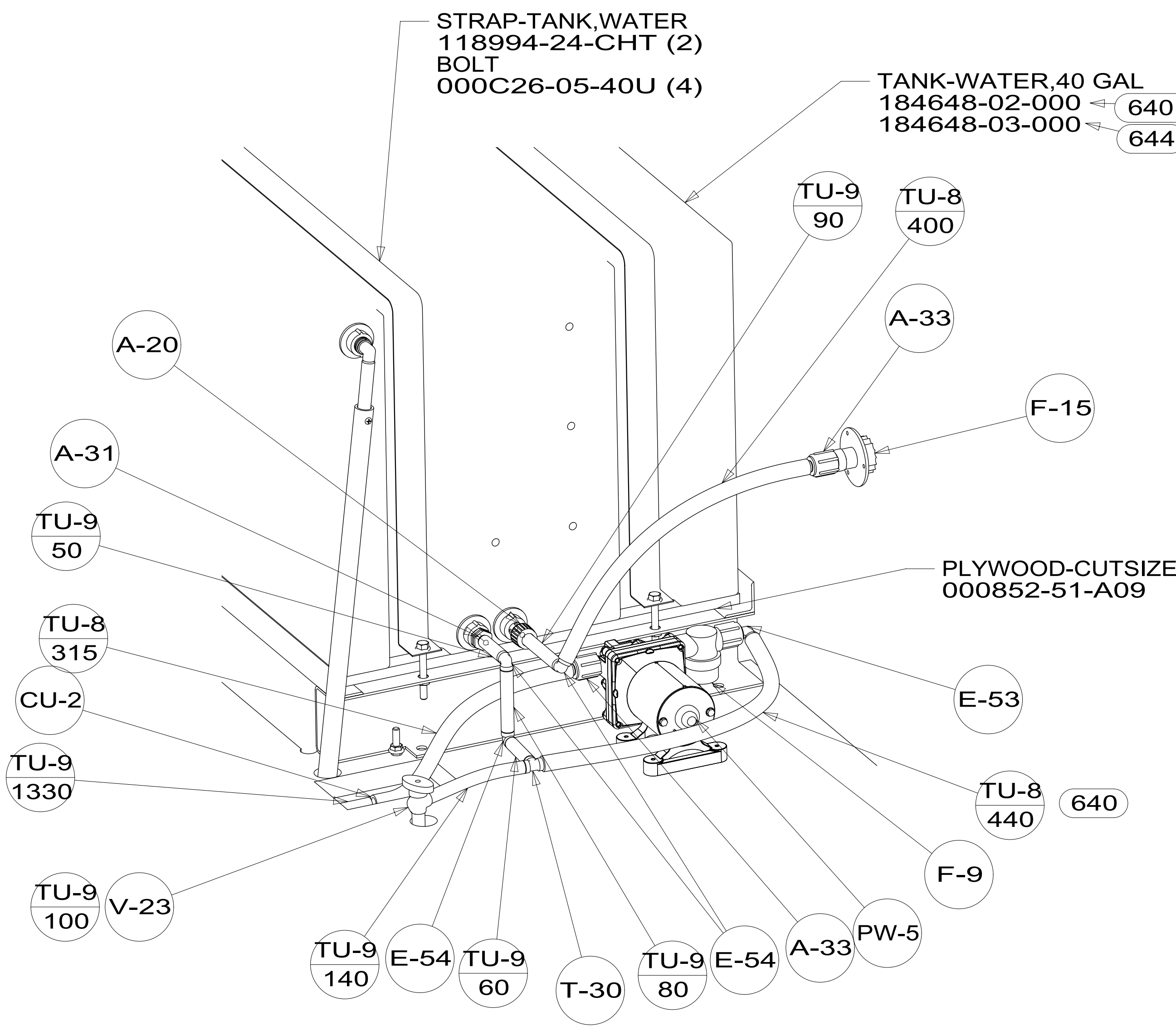
CLAMP-CLOSED  
010497-01-000

FLUSHING SYSTEM  
125697-08-000

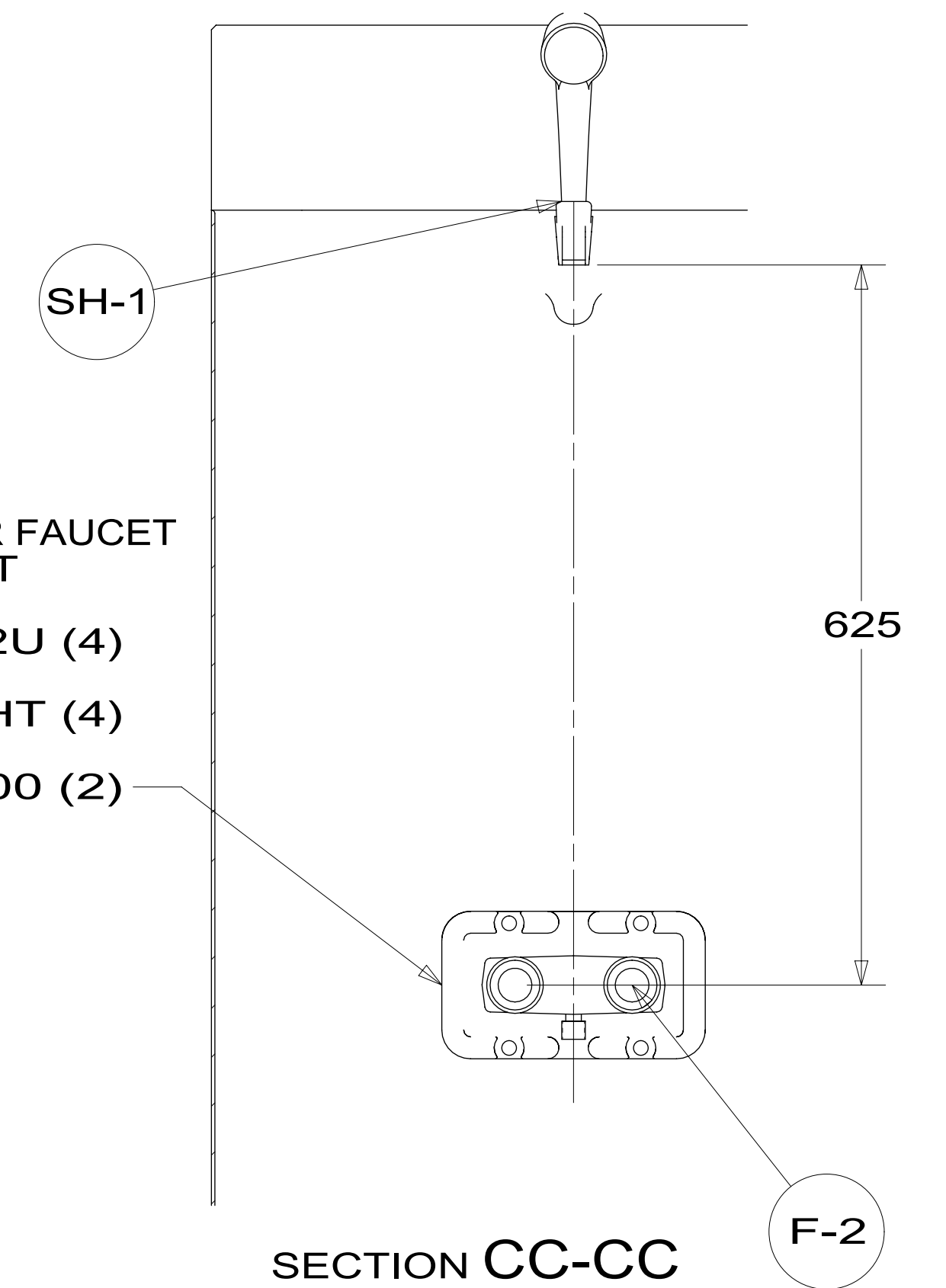
DESCRIPTION:		
WATER SYSTEM INSTL		
SHEET:	ITEM/PART NO.:	REV
2 OF 3	000180008 / 30078801000	

\*300788\*

8 7 6 5 4 3 2 1

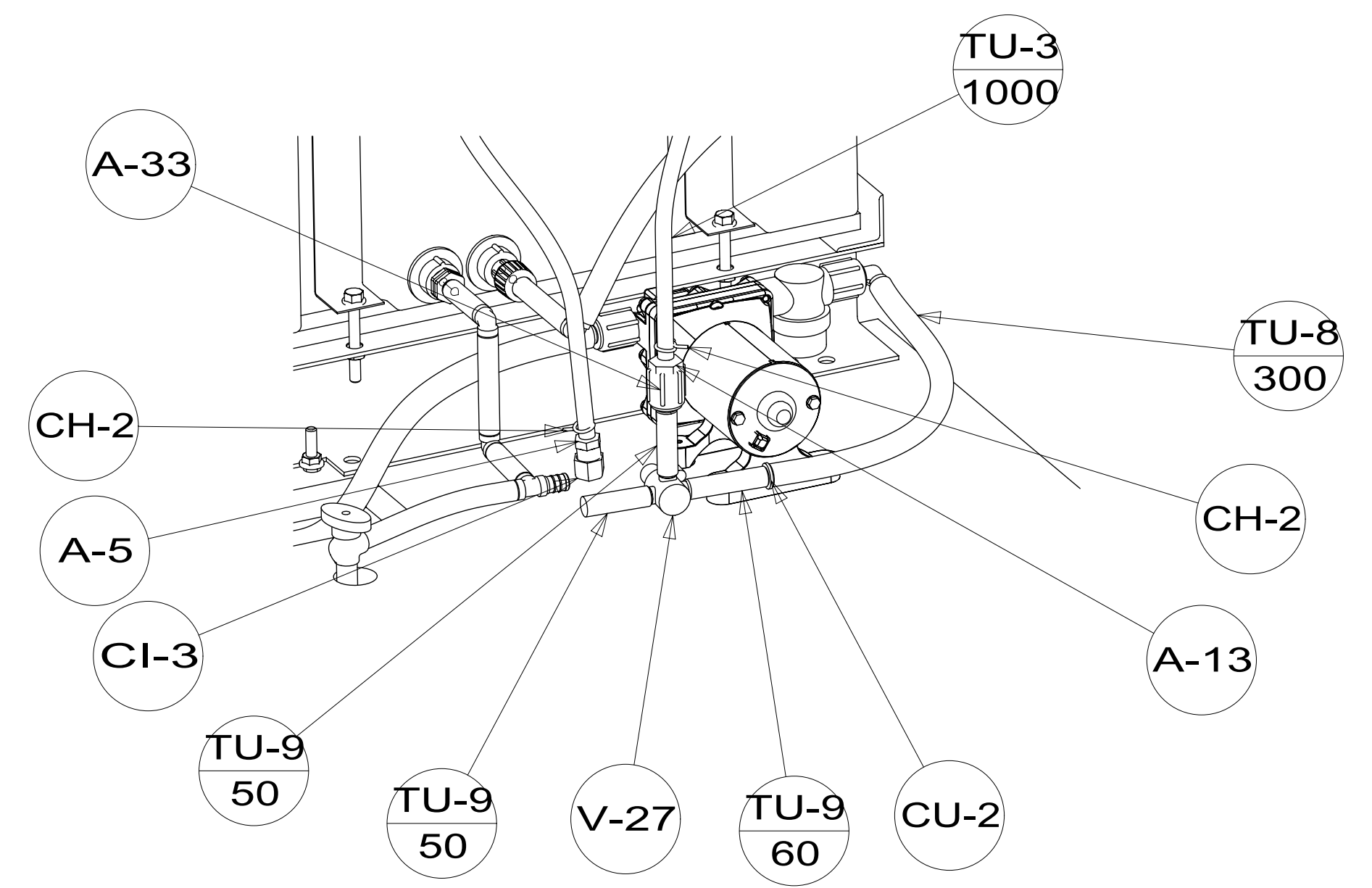


SECTION CB-CB  
(ROTATED)



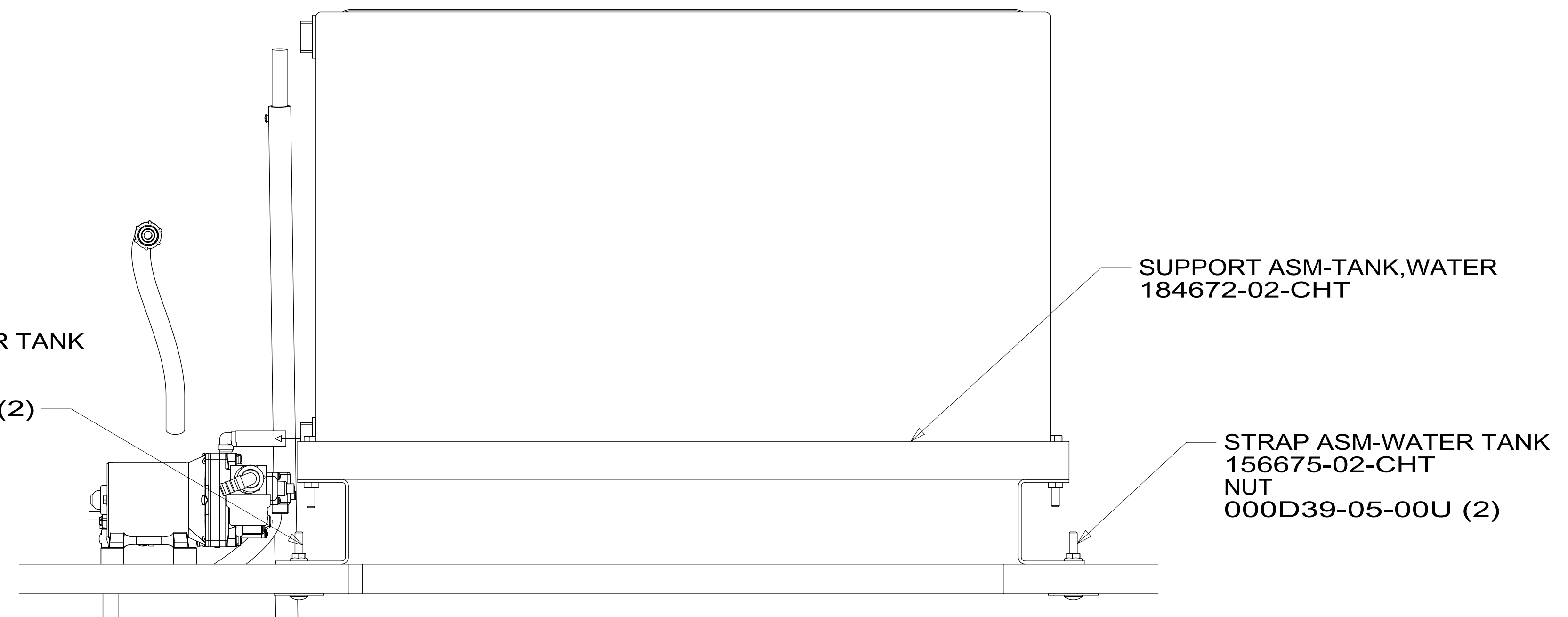
SECTION CC-CC

VIEW CA



VIEW CE  
644

STRAP ASM-WATER TANK  
156675-02-CHT  
NUT  
000D39-05-00U (2)



VIEW CD

8 7 6 5 4 3 2 1

DESCRIPTION:		
WATER SYSTEM INSTL		
SHEET:	ITEM/PART NO.:	REV
3 OF 3	000180008 / 30078801000	

\*300788