

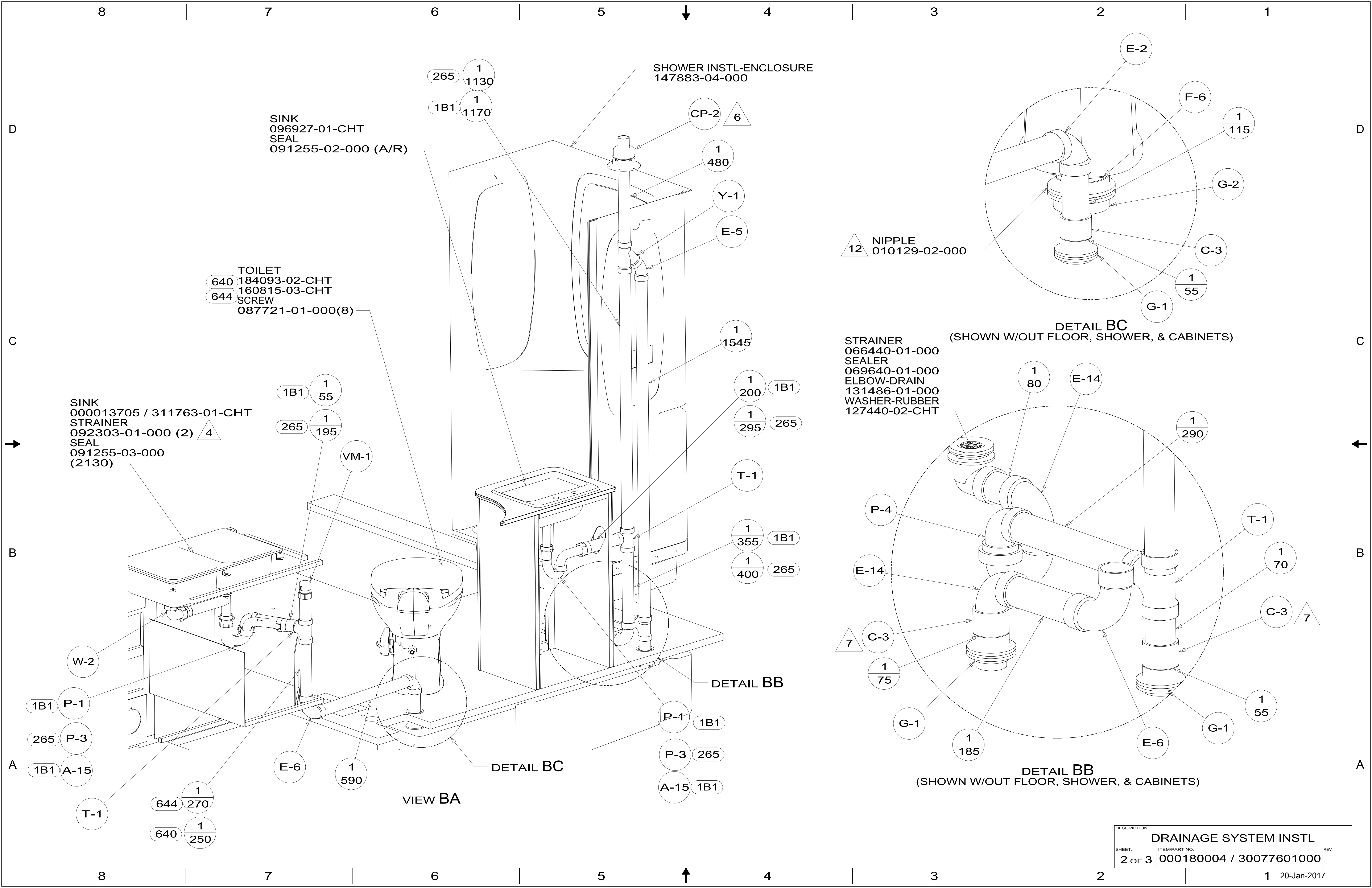
- NOTES:**
- 1. SLOPE OF HORIZONTAL PIPING TO BE MINIMUM OF 3 PER 305 mm.
  - 2. SLOPE OF TRAP ARM MUST BE 6 PER 305 mm.
  - 3. ALL PIPE AND FITTINGS TO BE ASSEMBLED WITH SOLVENT 004020-01-000 (USA), 004020-02-000 (CAN)
  - 4. USE SMOOTH PLUMBERS PUTTY 167459-01-000 TO SEAL STRAINER (0.2 PER STRAINER).
  - 5. SEAL AROUND SHOWER WITH SILICONE.
  - 6. VENT PIPE MUST PROJECT 51 MIN AND 64 MAX ABOVE ROOF FOR PROPER FIT AND FUNCTION. ADD S-1 (116666-01-CHT SEAL-VENT PIPE) AROUND PIPE ON ROOF BEFORE VENT CAP IS INSTALLED.
  - 7. SECURE VENT PIPE TO FLOOR WITH CLAMP 062401-02-000 (2), SCREW 000G67-10-12U (2), BRACKET 136878-01-CHT (2).
  - 8. SECURE DRAINAGE PIPES TO CABINET USING WIRE TIE 108046-02-000, AND SCREW 000G67-10-12U AT INTERVALS OF NOT OF NOT MORE THAN 4 FEET APART.
  - 9. SEE DRAWING 061607 FOR INSTALLATION OF GROMMETS.
  - 10. SEE WIRING INSTL-BODY FOR ELECTRICAL CONNECTION.
  - 11. PREP THE SURFACE PER MANUFACTURERS INSTRUCTIONS BEFORE APPLYING THE HEATING PAD.
  - 12. CUT PART TO 90mm.

- 38E CONVENIENCE PACKAGE
- 640 RENTAL - GAH WITHOUT
- 644 GREAT ALASKAN RENTAL PACKAGE
- 265 CODES/STANDARDS-CSA/CMVSS
- 23T DRAINAGE SYSTEM-HEATED
- 1B1 CODES/STANDARDS USA

FOR DRAINAGE CALLOUTS SEE DWG NO 116229-01-000

**WINNEBAGO**  
 COPYRIGHT 2016 WINNEBAGO INDUSTRIES, INC.

DSNR:	ALL DIMENSIONS ARE IN MILLIMETERS	
DIFTR:		
UNSPECIFIED TOLERANCES:		MATERIAL:
WHOLE DIM (X) :	3	
ONE-PLACE (X.X) :	1.5	
TWO-PLACE (X.XX) :	0.50	
ANGLE :	1°	
REFER TO ES0018 FOR FASTENER TIGHTENING GUIDELINES	WEIGHT: (LBS)	FIRST USED: (REF)
		<b>16 325B</b>
DESCRIPTION: <b>DRAINAGE SYSTEM INSTL</b>		
SHEET: 1 OF 3	ITEM/PART NO: 000180004 / 30077601000	REV:



8 7 6 5 4 3 2 1

D  
C  
B  
A

D  
C  
B  
A

FRONT AXLE

VEHICLE

1222

1498

DATUM

HANGER-STRAP  
140220-02-CHT  
BOLT  
000C18-05-40U  
NUT  
000D39-05-00U  
HOLDER-RING  
141443-05-CHT  
BOLT  
000C26-05-16U  
NUT  
000D39-05-00U

640 & 38E-WITHOUT TANK-HOLDING  
184558-02-000  
644 640 & 38E 184558-04-000

TANK-HOLDING  
184556-02-000 640 & 38E-WITHOUT  
184556-03-000 644 640 & 38E

STRAP-HLDG TANK MTG  
153148-16-CHT  
NUT  
000D39-05-00U (2)

STRAP-HLDG TANK MTG  
153148-17-CHT  
NUT  
000D39-05-00U (2)

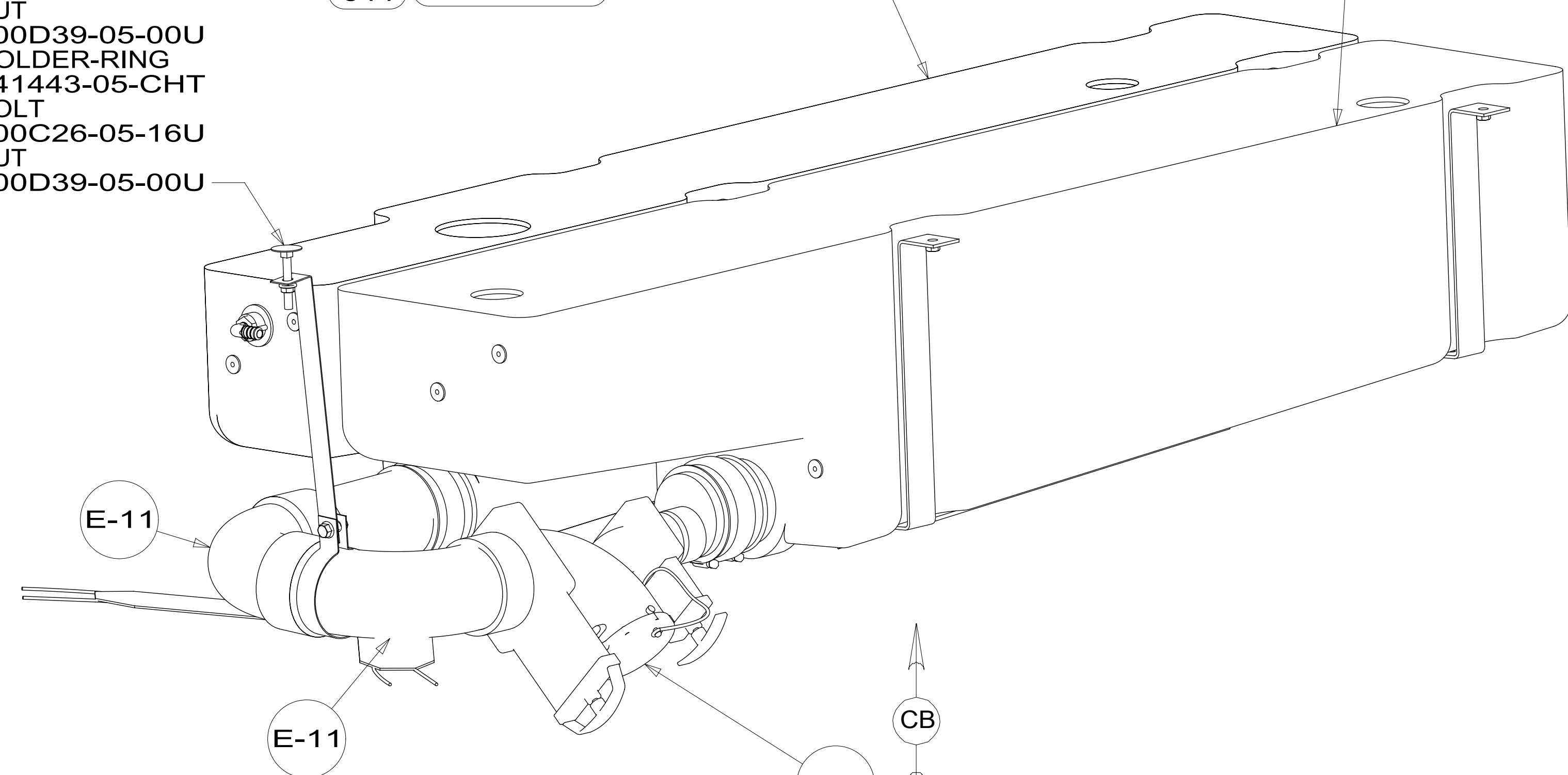
STRAP-HLDG TANK MTG  
153148-15-CHT  
NUT  
000D39-05-00U

STRAP-HLDG TANK MTG  
153148-14-CHT  
NUT  
000D39-05-00U

PAD-HEATER  
133972-04-000  
INSTALL PER  
MFG LABEL

PAD-HEATER  
133972-05-000 (2)  
INSTALL PER  
MFG LABEL

PAD-HEATER  
133972-04-000  
INSTALL PER  
MFG LABEL

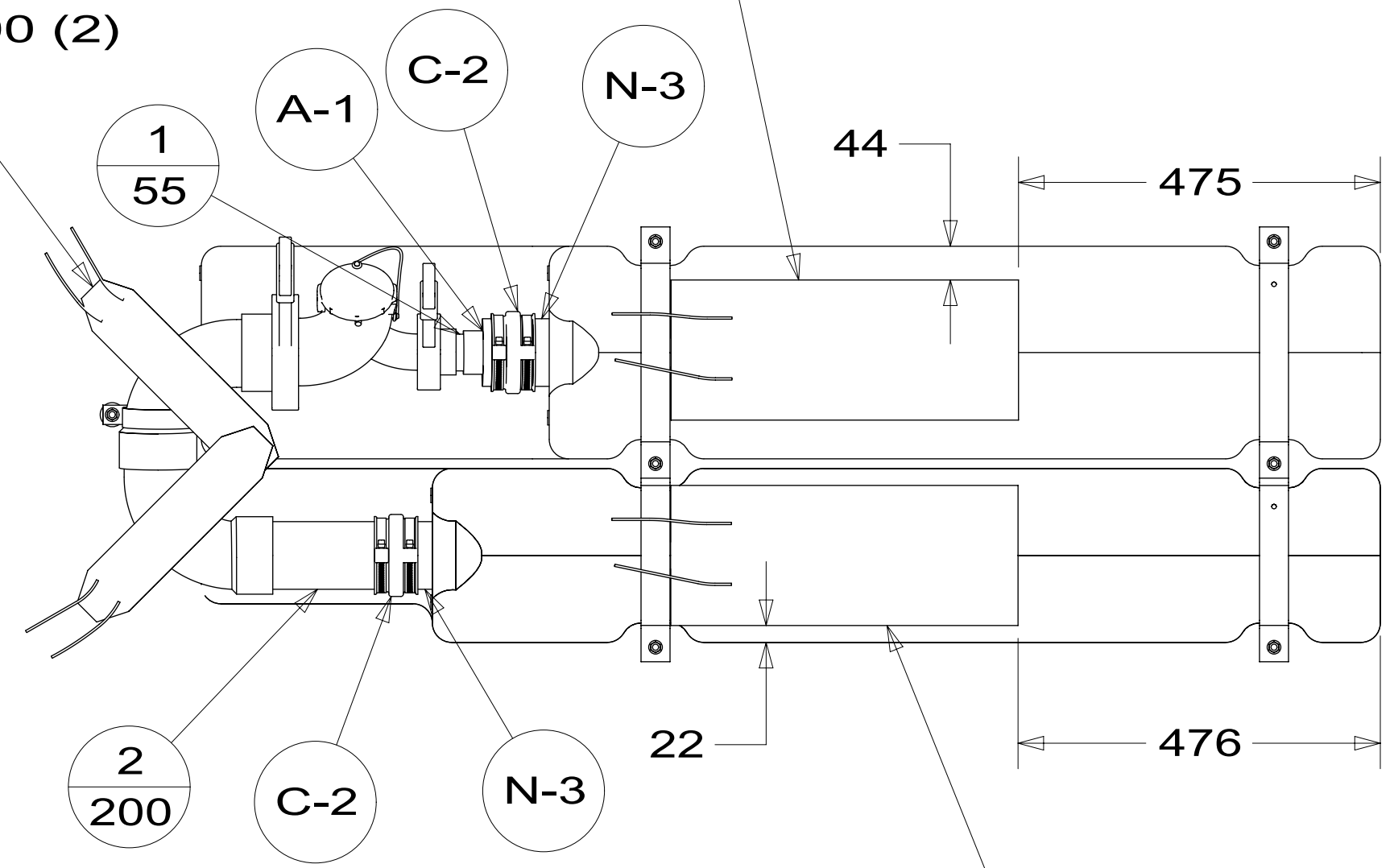


VIEW CA

10 11 23T

10 11 23T

10 11 23T



VIEW CB

DESCRIPTION: <b>DRAINAGE SYSTEM INSTL</b>		
SHEET: 3 OF 3	ITEM/PART NO: 000180004 / 30077601000	REV

8 7 6 5 4 3 2 1 20-Jan-2017