

FRONT
OF
COACH

- 9. SEE DRAWING 061607 FOR INSTALLATION OF GROMMETS.
- 8. SECURE DRAINAGE PIPES TO CABINET USING WIRE TIE 108046-02-000, AND SCREW 000G67-10-12U AT INTERVALS OF NOT OF NOT MORE THAN 4 FEET APART.
- 7. SECURE VENT PIPE TO TANK WITH CLAMP 062401-02-000.
- 6. VENT PIPE MUST PROJECT 51 MIN AND 64 MAX ABOVE ROOF FOR PROPER FIT AND FUNCTION. ADD S-1 (116666-01-CHT SEAL-VENT PIPE) AROUND PIPE ON ROOF BEFORE VENT CAP IS INSTALLED.
- 5. SEAL AROUND SHOWER WITH SILICONE.
- 4. USE SMOOTH PLUMBERS PUTTY 167459-01-000 TO SEAL STRAINER (0.2 PER STRAINER).
- 3. ALL PIPE AND FITTINGS TO BE ASSEMBLED WITH SOLVENT 004020-01-000 (USA), 004020-02-000 (CAN)
- 2. SLOPE OF TRAP ARM MUST BE 6 PER 305 mm.
- 1. SLOPE OF HORIZONTAL PIPING TO BE MINIMUM OF 3 PER 305 mm.

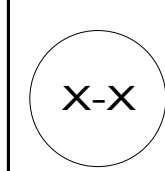
NOTES:

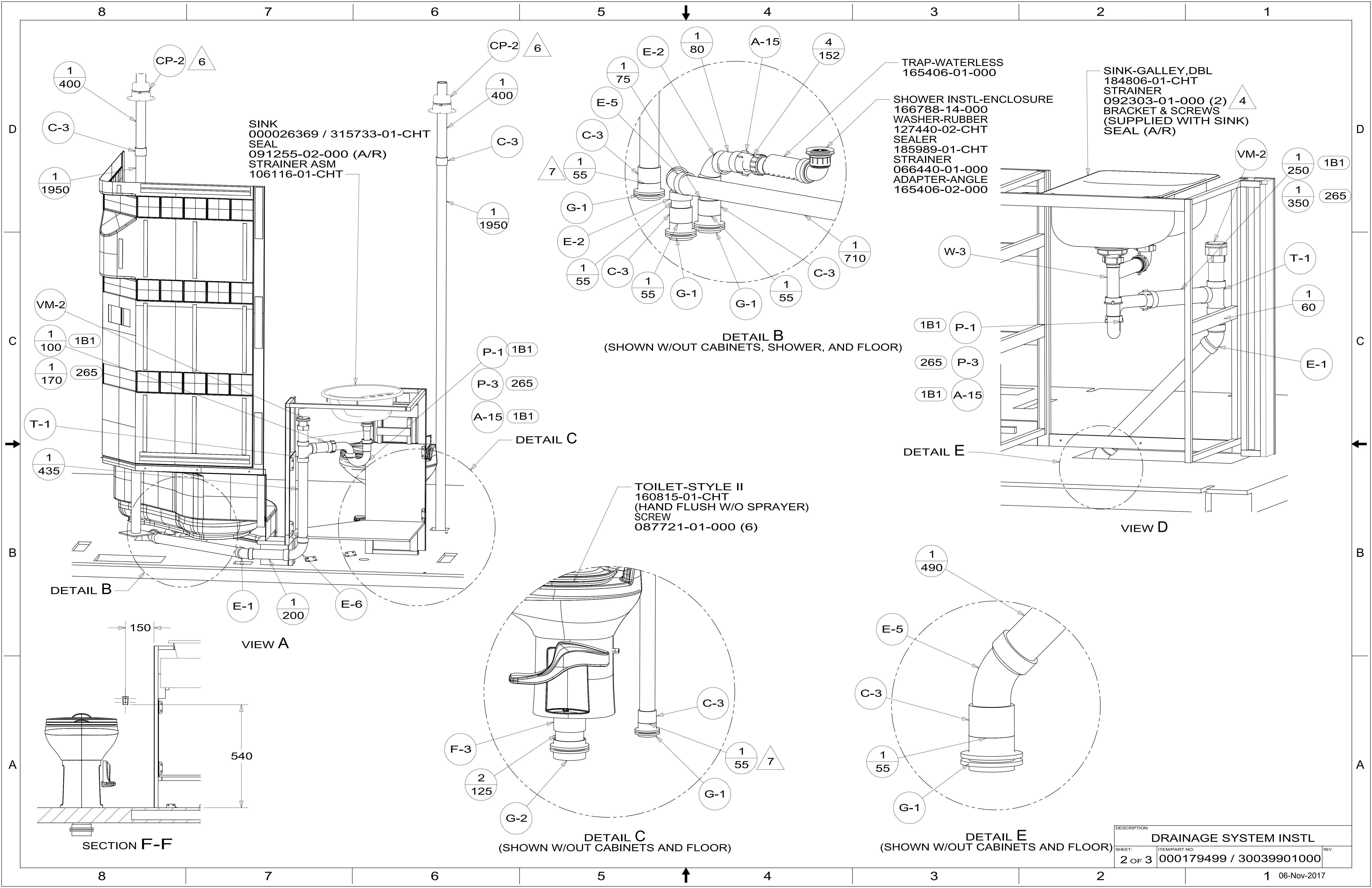
265 CODES/STDS-CSA/CMVSS
1B1 CODES/STANDARDS-USA



DSNR:		ALL DIMENSIONS ARE IN MILLIMETERS	
DIFTR:		MATERIAL:	
UNSPECIFIED TOLERANCES:			
WHOLE DIM (X)	3		
ONE-PLACE (X.X)	1.5		
TWO-PLACE (X.XX)	0.50		
ANGLE	1°		
REFER TO ES0018 FOR FASTENER TIGHTENING GUIDELINES		WEIGHT: (LBS)	FIRST USED: (REF)
			17 E27N
DESCRIPTION: DRAINAGE SYSTEM INSTL			
SHEET:	ITEM/PART NO.:	REV	
1 OF 3	000179499 / 30039901000		

FOR
DRAINAGE
CALLOUTS
SEE DWG NO.
000211962 /
303370-01-000





SINK
000026369 / 315733-01-CHT
SEAL
091255-02-000 (A/R)
STRAINER ASM
106116-01-CHT

DETAIL B
(SHOWN W/OUT CABINETS, SHOWER, AND FLOOR)

TOILET-STYLE II
160815-01-CHT
(HAND FLUSH W/O SPRAYER)
SCREW
087721-01-000 (6)

DETAIL C
(SHOWN W/OUT CABINETS AND FLOOR)

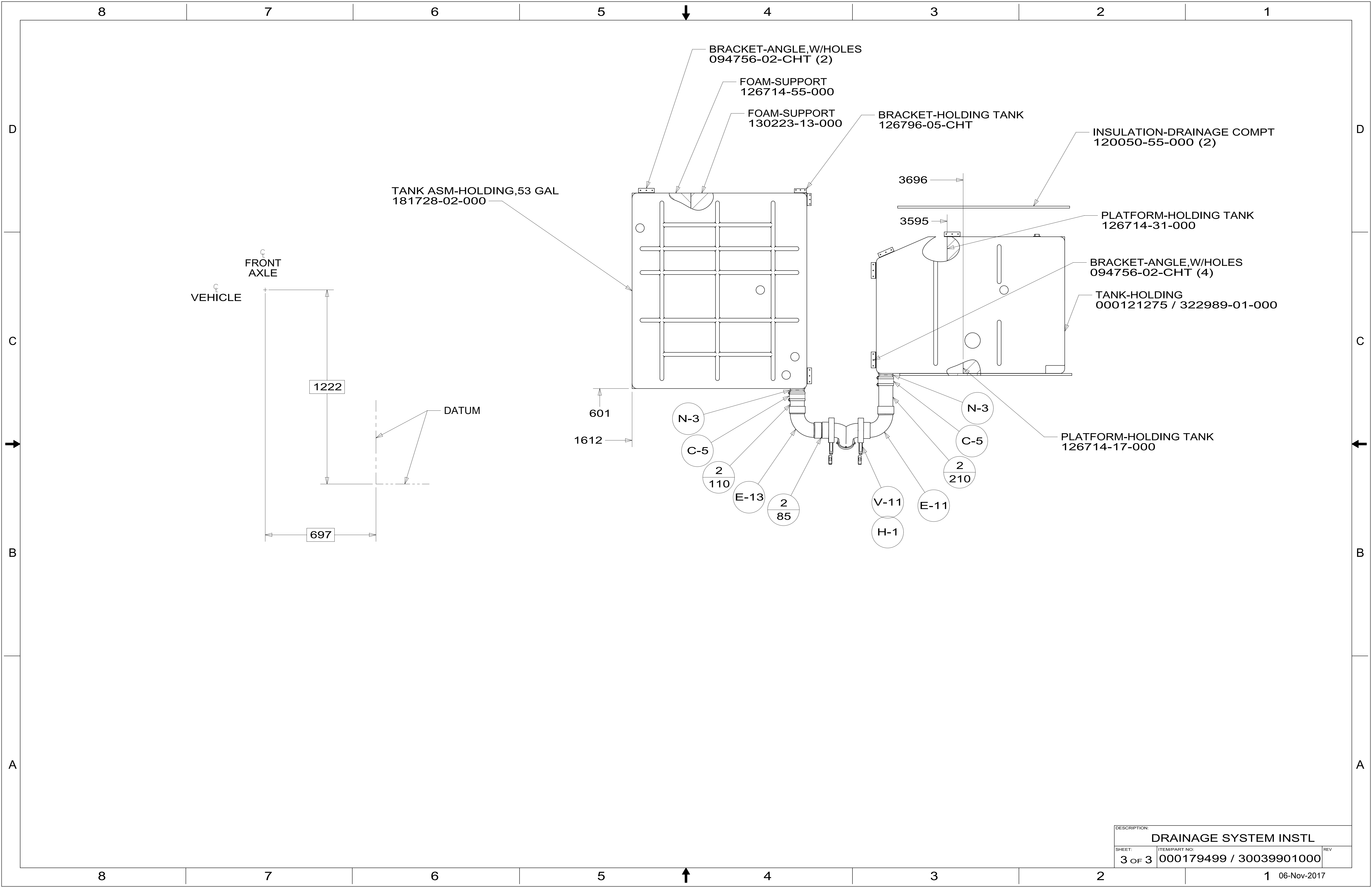
DETAIL E
(SHOWN W/OUT CABINETS AND FLOOR)

TRAP-WATERLESS
165406-01-000

SHOWER INSTL-ENCLOSURE
166788-14-000
WASHER-RUBBER
127440-02-CHT
SEALER
185989-01-CHT
STRAINER
066440-01-000
ADAPTER-ANGLE
165406-02-000

SINK-GALLEY, DBL
184806-01-CHT
STRAINER
092303-01-000 (2)
BRACKET & SCREWS
(SUPPLIED WITH SINK)
SEAL (A/R)

DESCRIPTION: DRAINAGE SYSTEM INSTL		
SHEET: 2 OF 3	ITEM/PART NO: 000179499 / 30039901000	REV



DESCRIPTION: DRAINAGE SYSTEM INSTL		
SHEET: 3 OF 3	ITEM/PART NO: 000179499 / 30039901000	REV