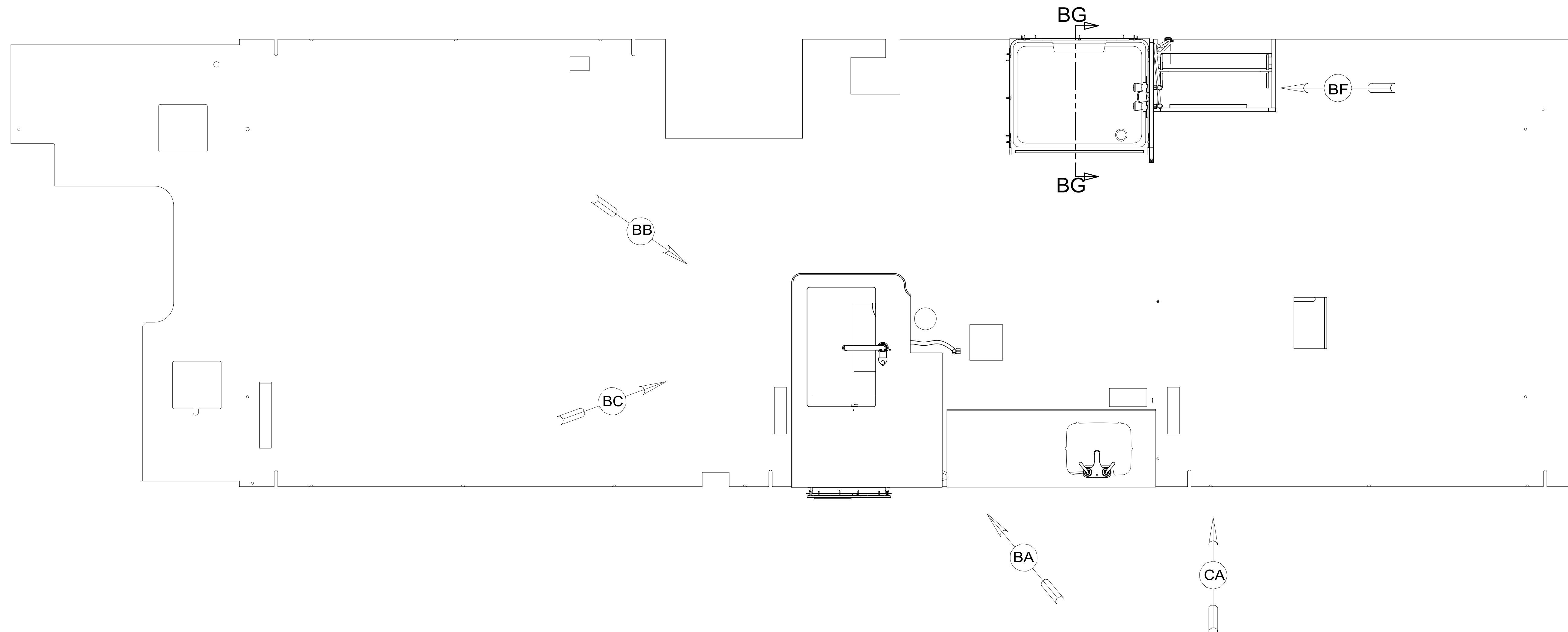


REV	ZONE	REVISION RECORD	DATE	DFTR-ORIG
A	---	INITIAL RELEASE	11/02/15	3660
B	S3C2	TU-9 50 WAS 65	01/31/17	9080-4373



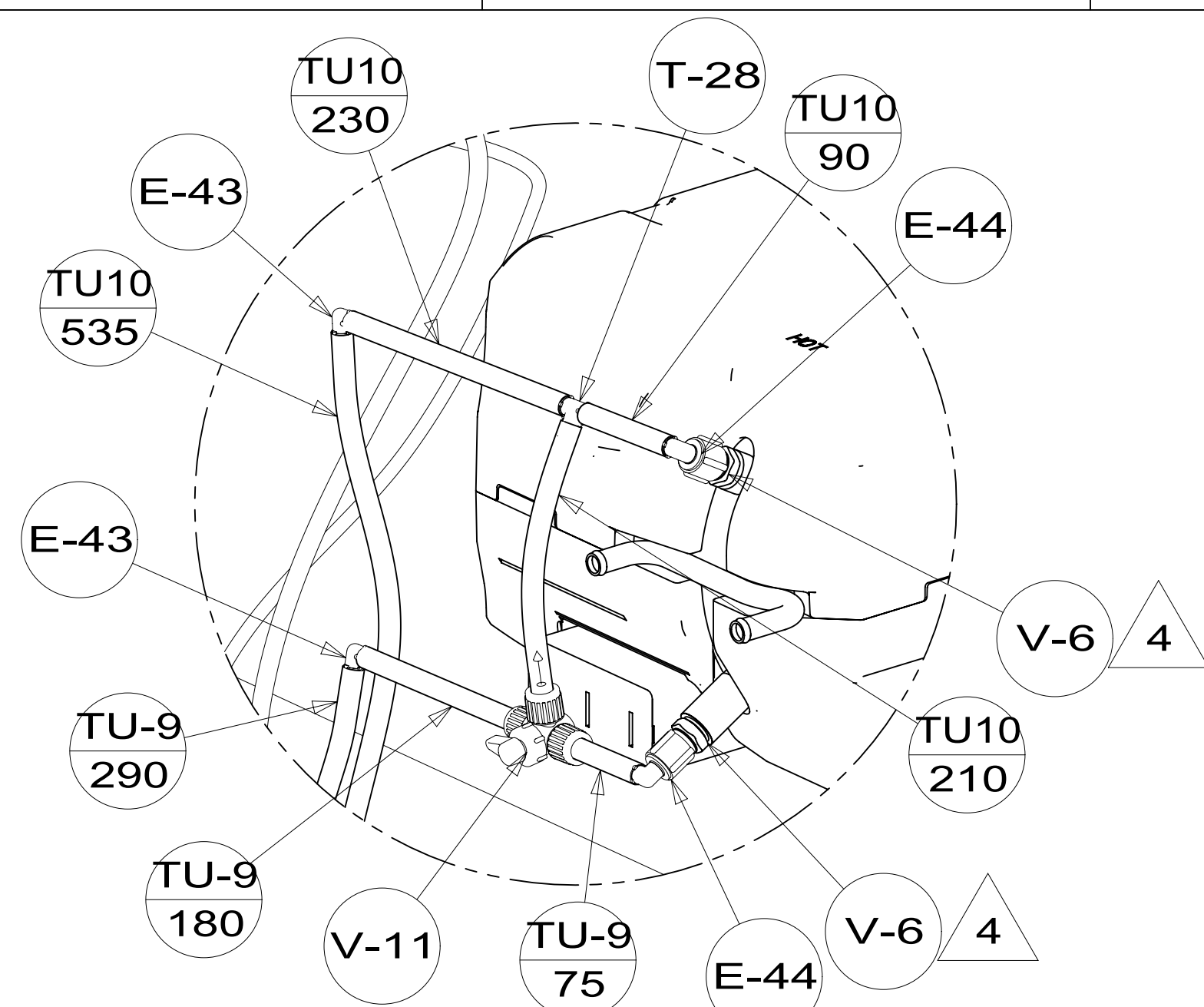
9. ALL CRIMP FITTINGS TO 3/4" PEX TUBING REQUIRE 3/4" CLAMP 140171-05-000.
8. ALL CRIMP FITTINGS TO 1/2" PEX TUBING REQUIRE 1/2" CLAMP 140171-03-000.
7. ALL CRIMP FITTINGS TO 5/8" FLEX TUBING REQUIRE 5/8" CLAMP 140171-04-000.
6. LABEL HOT AND COLD SUPPLY TUBES AND TAPE FITTING TO TUBE BEFORE CABINET SET TO PREVENT MOVEMENT.
5. ADD PIPE WRAP (LADDER SCRAP 110157-02-000) INSULATION.
4. ADD TEFLON TAPE 010405-02-000.
3. ALL TUBING TO BE SECURED AT 1200 INTERVALS MAXIMUM WITH CLAMP 010495-01-000 AND SCREW 000G67-10-12U OR EQUIVALENT.
2. TUBING TO BE INSTALLED WITH SUFFICIENT SLOPE TO PROVIDE DRAINAGE TO NEAREST VALVE.
1. PLASTIC FITTINGS TO BE SEALED WITH SEALANT 084456-01-000.

NOTES:

X-X
FOR WATER CALLOUTS SEE DWG NO. 116230-01-000

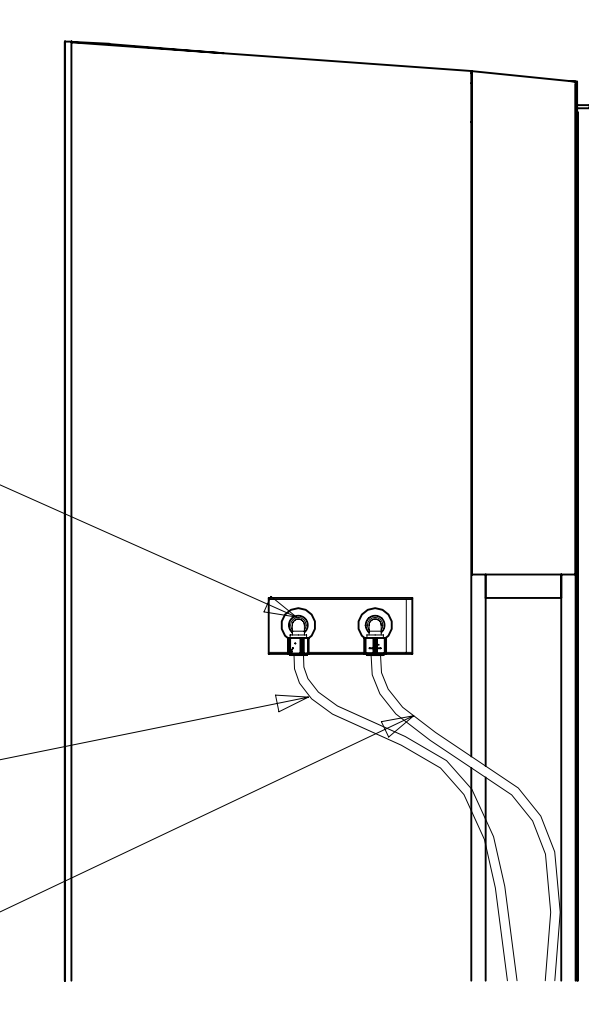
WINNEBAGO
COPYRIGHT 2017 WINNEBAGO INDUSTRIES, INC.

DSNR:	ALL DIMENSIONS ARE IN MILLIMETERS	
DFTR:	MATERIAL:	
UNSPECIFIED TOLERANCES:	WHOLE DIM (X) :	3
	ONE-PLACE (X.X) :	1.5
	TWO-PLACE (X.XX) :	0.50
	ANGLE :	1°
REFER TO ES0018 FOR FASTENER TIGHTENING GUIDELINES	WEIGHT: (LBS)	FIRST USED: (REF)
DESCRIPTION: WATER SYSTEM INSTL		
SHEET: 1 OF 3	ITEM/PART NO: 000177106 / 30054301000	REV

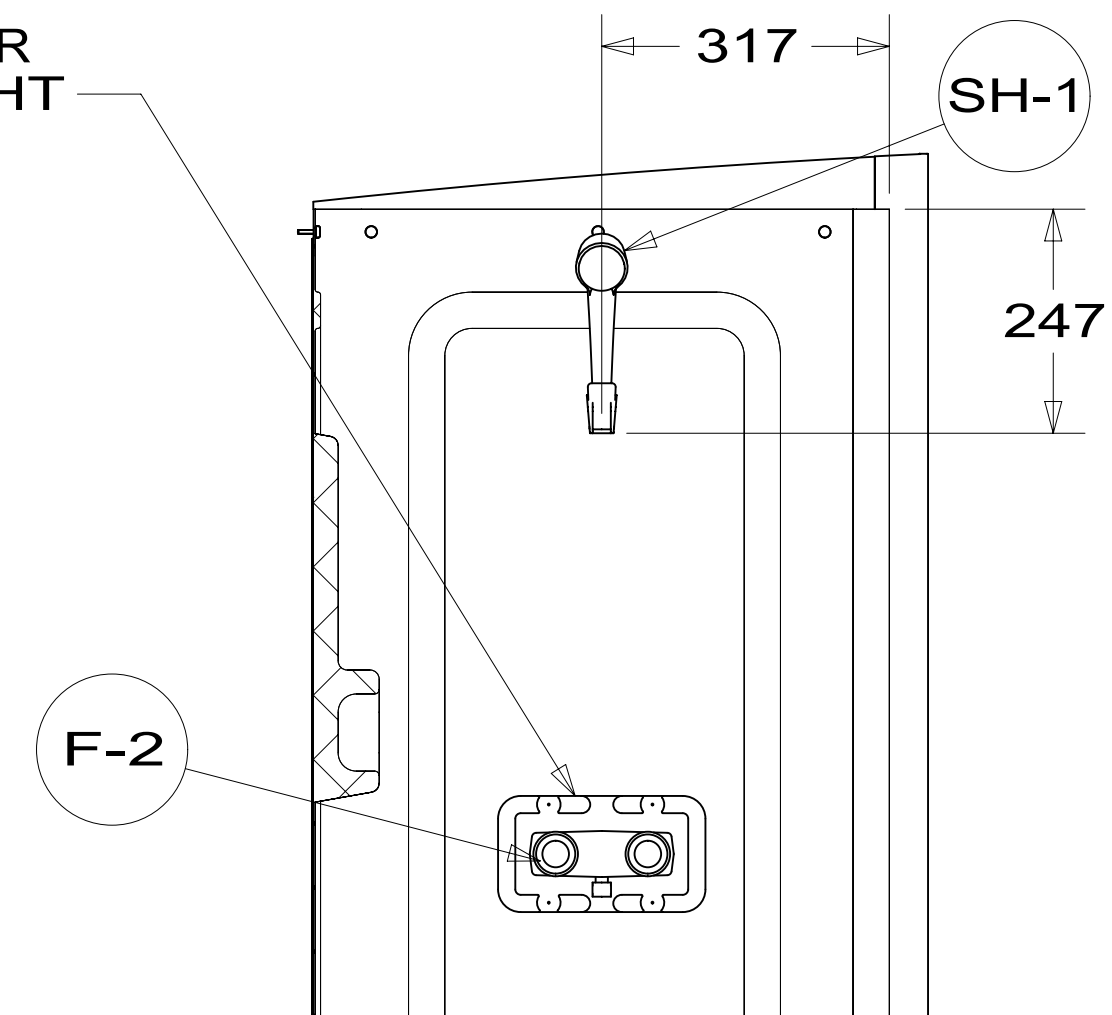


DETAIL BD
(SHOWN W/OUT CABINETS)

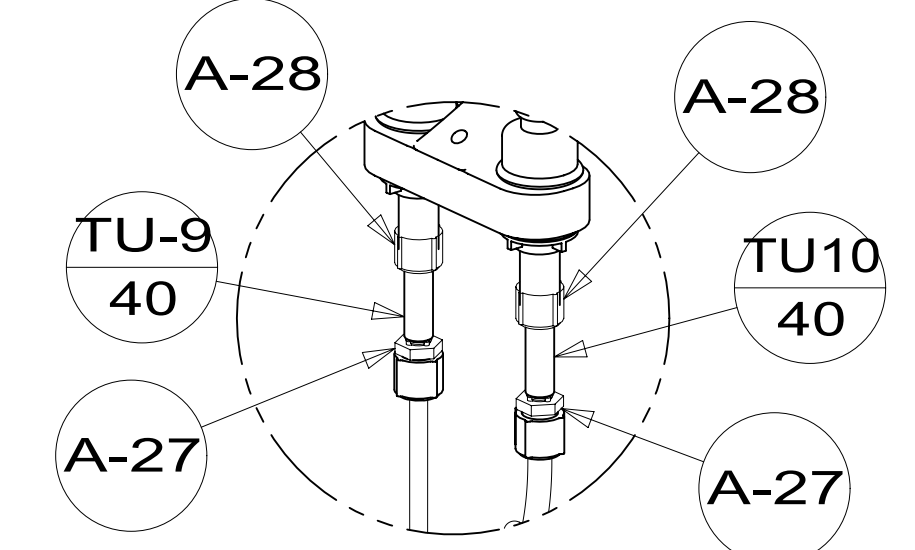
PANEL-SHOWER
167738-02-CHT



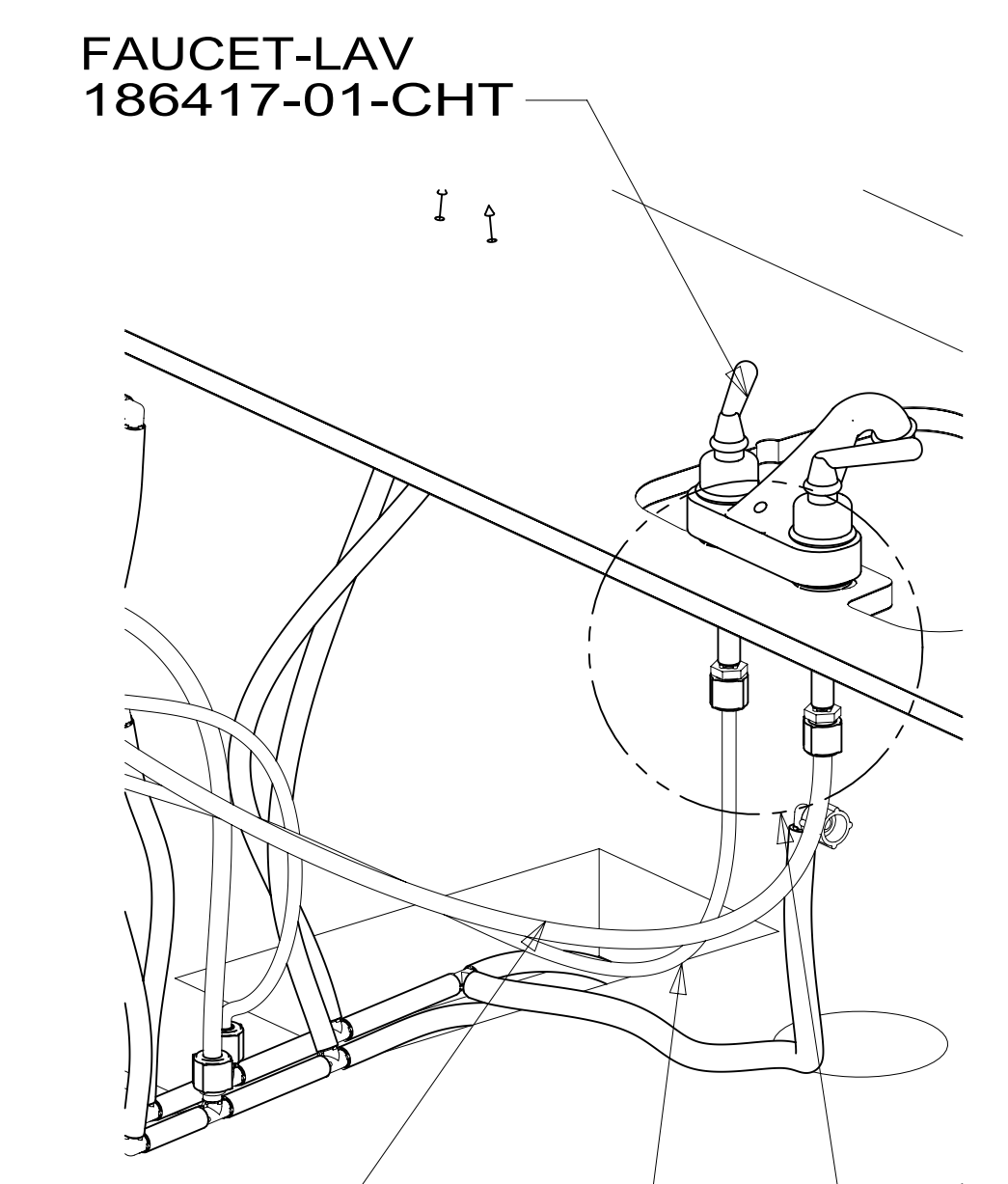
VIEW BF



SECTION BG-BG
(ROTATED)

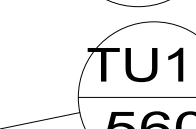
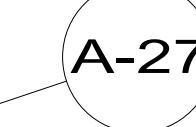


DETAIL BE
(SHOWN W/OUT CABINETS)

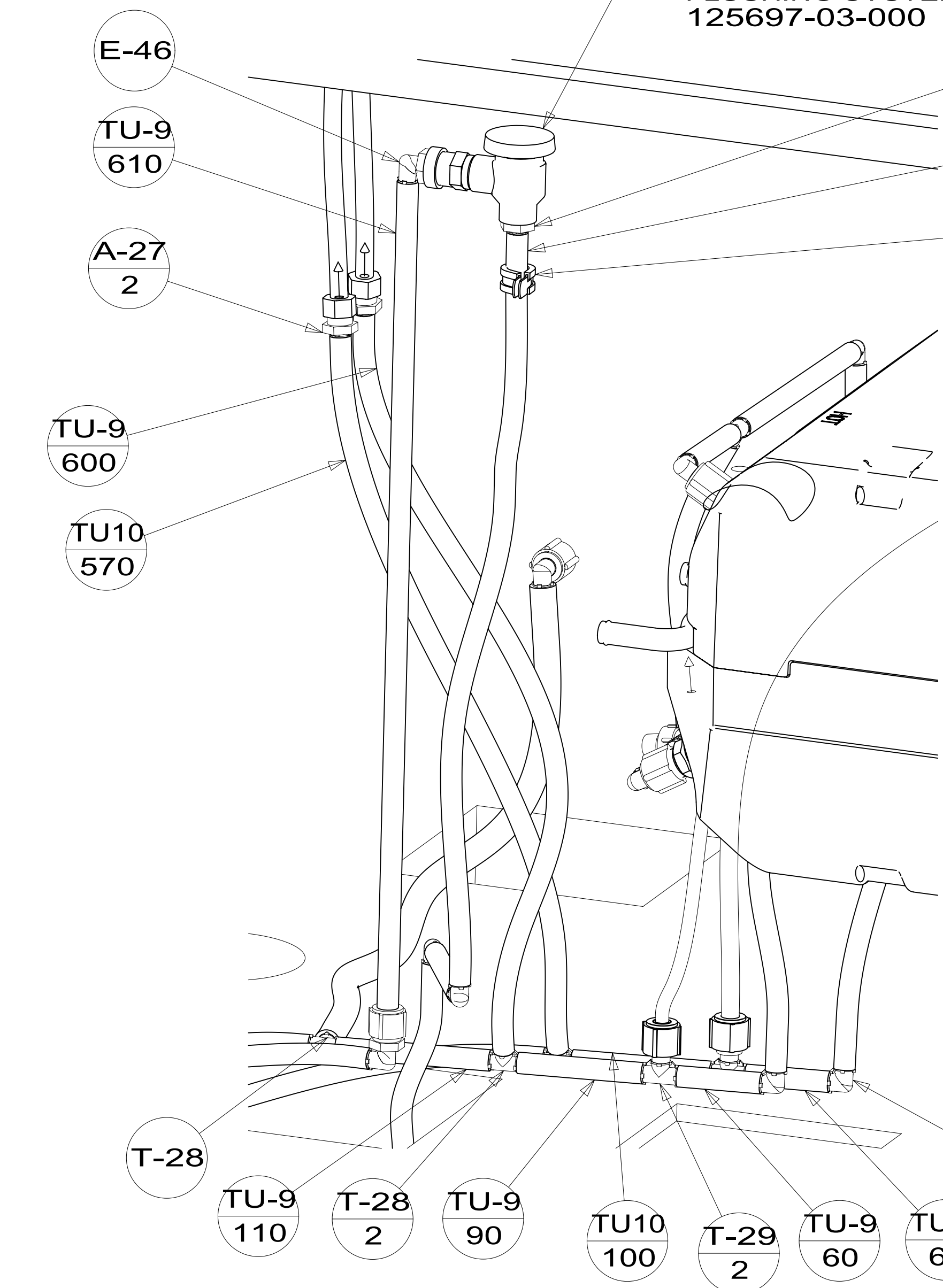
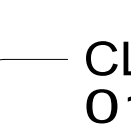


VIEW BA

BREAKER-VACUUM
125697-04-000
FLUSHING SYSTEM
125697-03-000

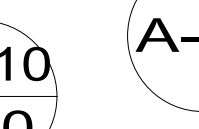
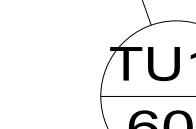
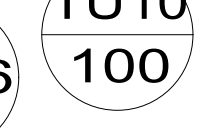
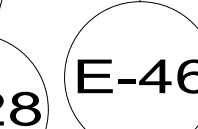
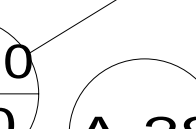
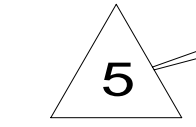


CLAMP
010497-01-000



VIEW BC

TO TOILET



VIEW BB

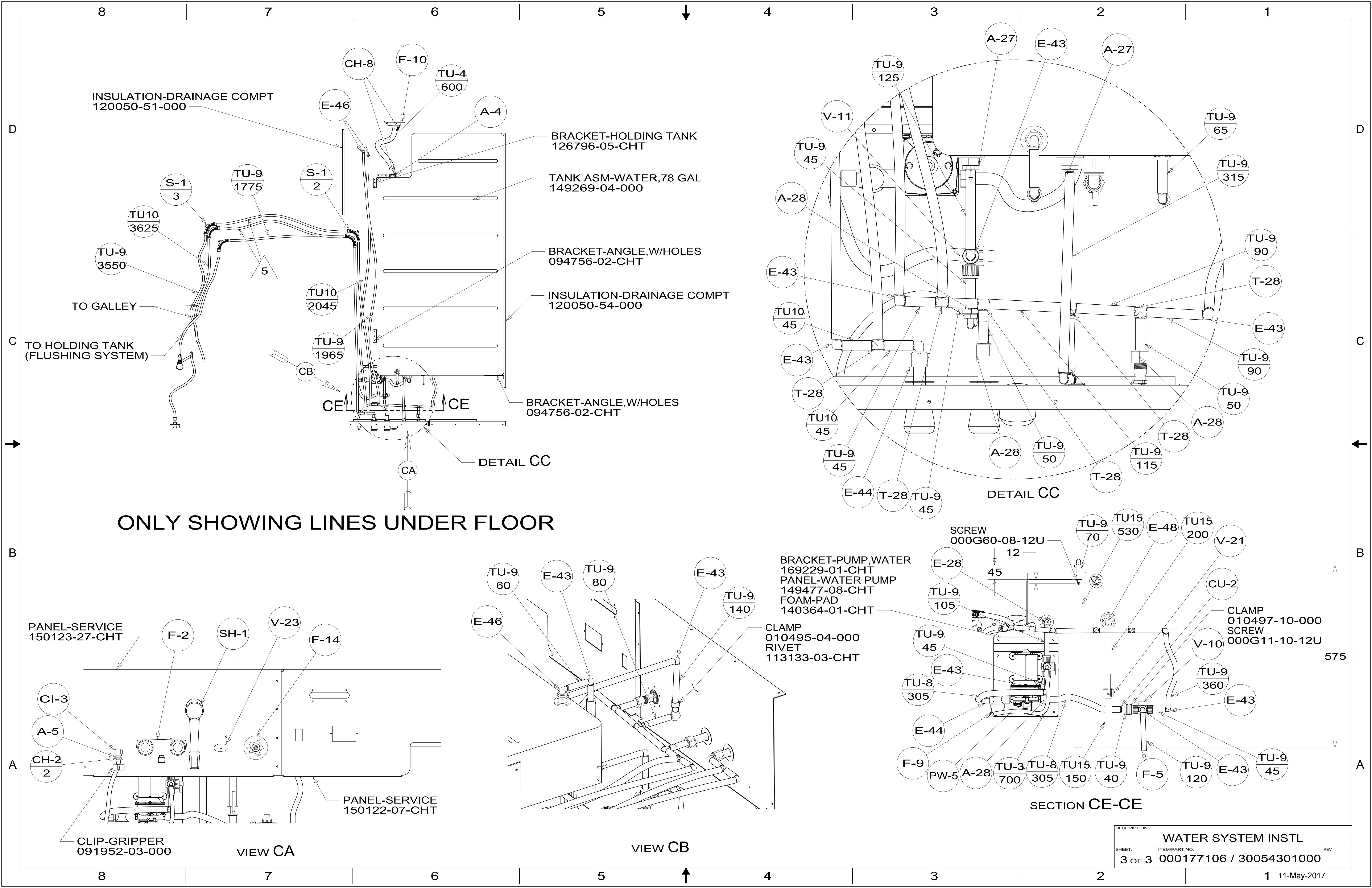
FAUCET-GAL, SGL CNTL, HI SPOUT
171482-02-CHT

WATER HEATER INSTL
186899-03-000
CABLE
076767-03-000
SCREW
000G39-08-08U (2)

FLUSHING SYSTEM
125697-05-000

DETAIL BD

DESCRIPTION:		
WATER SYSTEM INSTL		
SHEET:	ITEM/PART NO.:	REV
2 OF 3	000177106 / 30054301000	



INSULATION-DRAINAGE COMPT 120050-51-000

BRACKET-HOLDING TANK 126796-05-CHT

TANK ASM-WATER,78 GAL 149269-04-000

BRACKET-ANGLE,W/HOLES 094756-02-CHT

INSULATION-DRAINAGE COMPT 120050-54-000

BRACKET-ANGLE,W/HOLES 094756-02-CHT

DETAIL CC

ONLY SHOWING LINES UNDER FLOOR

PANEL-SERVICE 150123-27-CHT

PANEL-SERVICE 150122-07-CHT

CLIP-GRIPPER 091952-03-000

VIEW CA

VIEW CB

BRACKET-PUMP,WATER 169229-01-CHT
 PANEL-WATER PUMP 149477-08-CHT
 FOAM-PAD 140364-01-CHT

CLAMP 010495-04-000
 RIVET 113133-03-CHT

SCREW 000G60-08-12U 12

CLAMP 010497-10-000
 SCREW 000G11-10-12U

SECTION CE-CE

DESCRIPTION: WATER SYSTEM INSTL		
SHEET: 3 OF 3	ITEM/PART NO: 000177106 / 30054301000	REV

11-May-2017