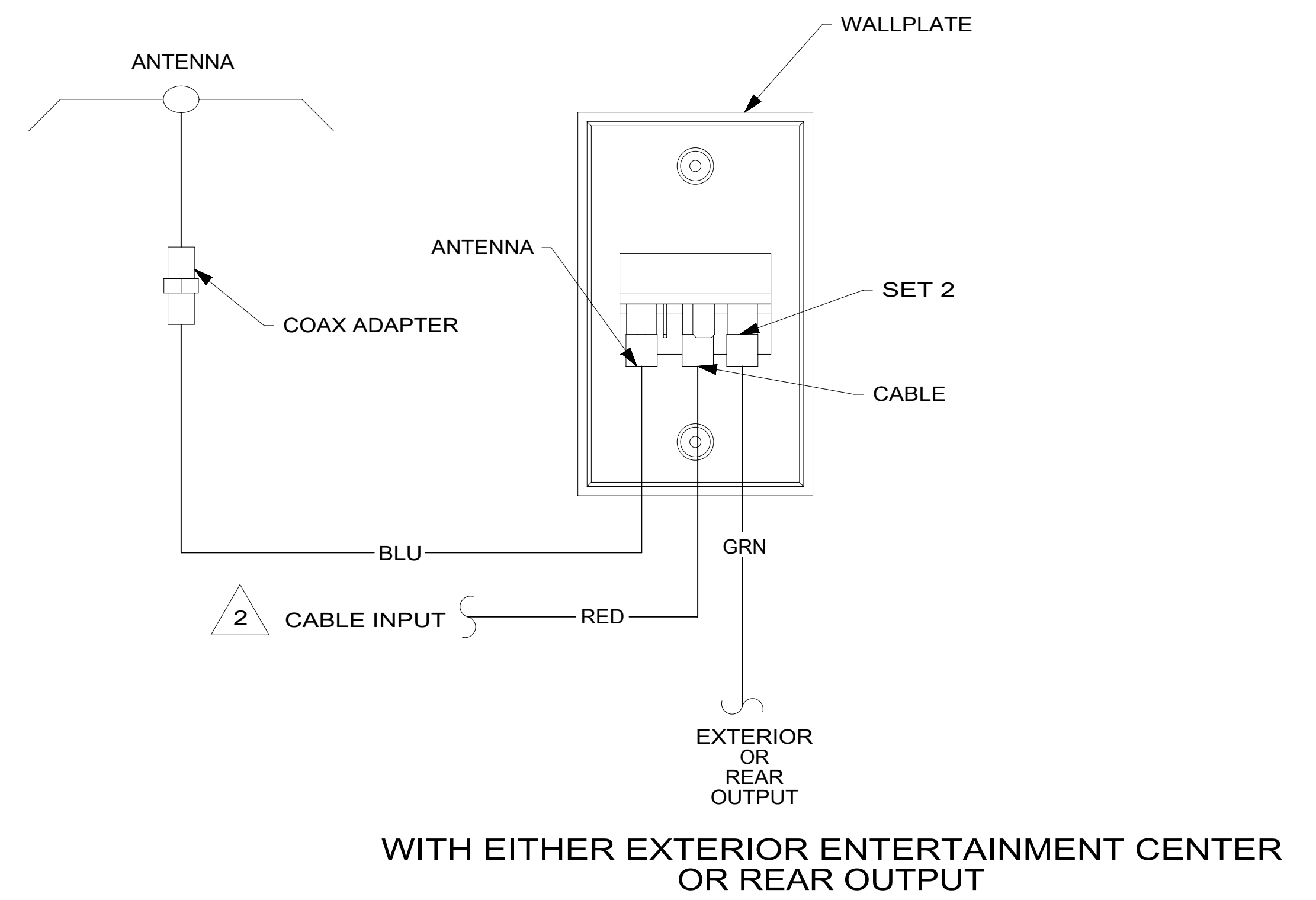
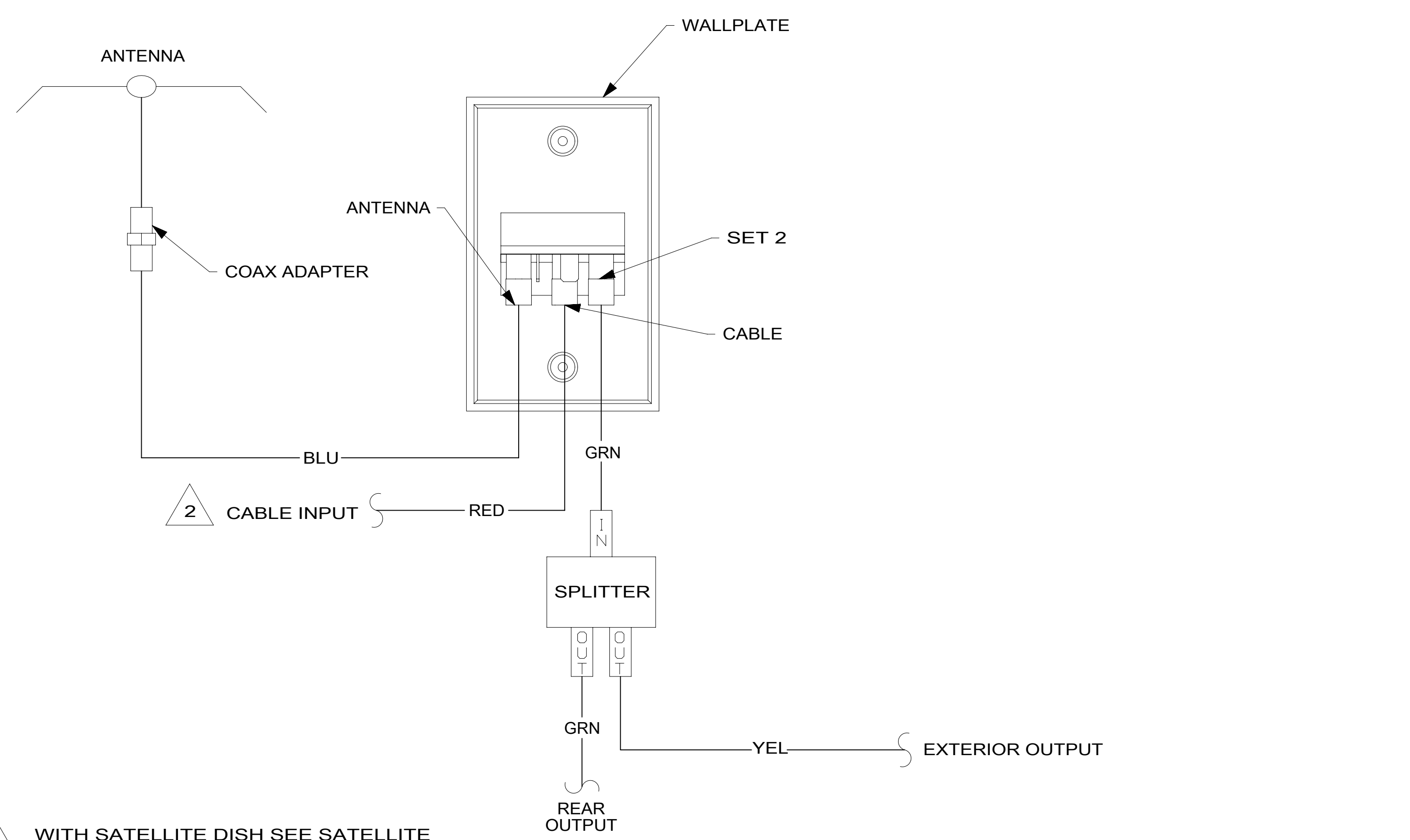


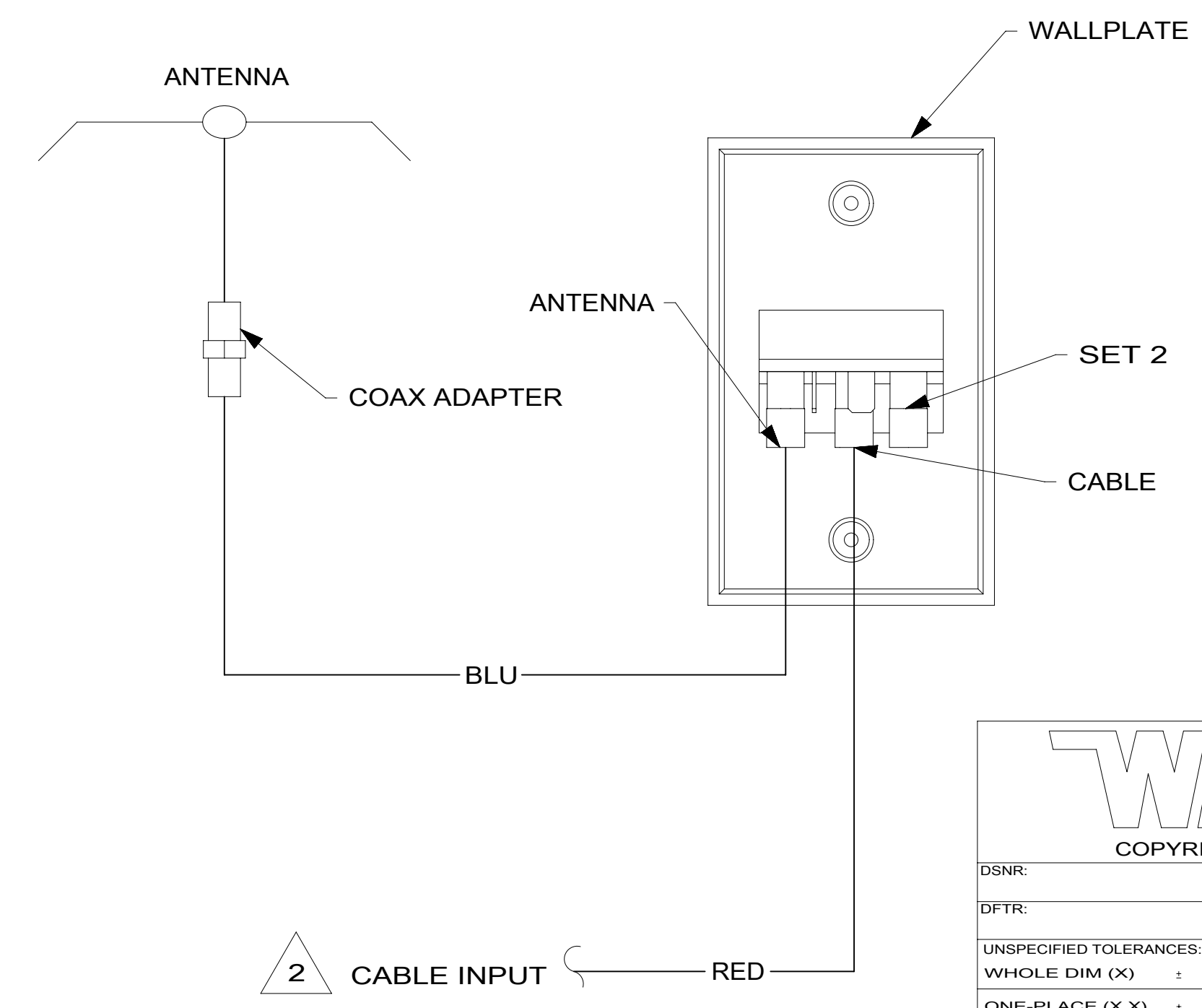
WITH TV AND EITHER EXTERIOR ENTERTAINMENT CENTER OR REAR OUTPUT



WITH EITHER EXTERIOR ENTERTAINMENT CENTER OR REAR OUTPUT



WITH EXTERIOR ENTERTAINMENT CENTER AND REAR OUTPUT

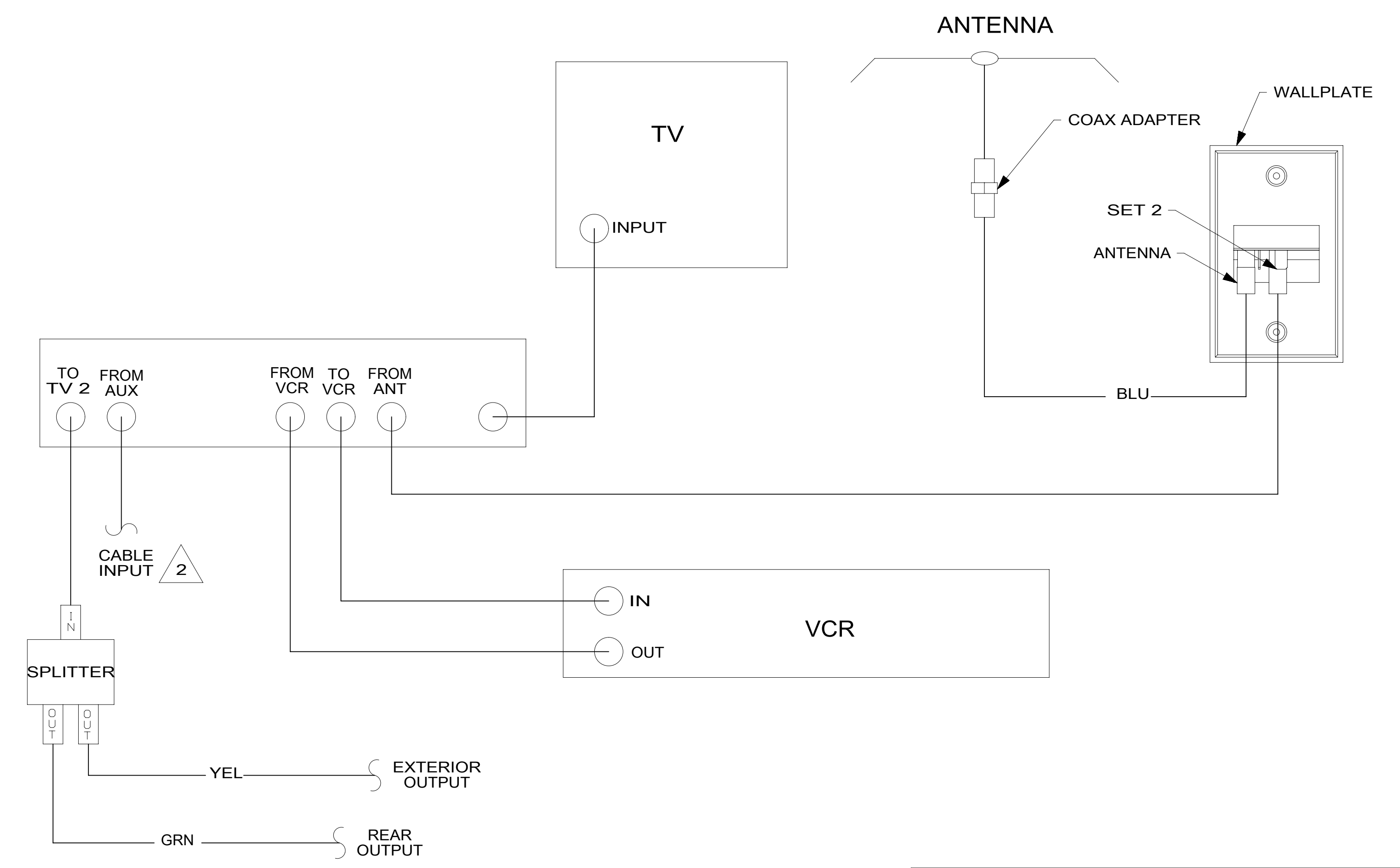
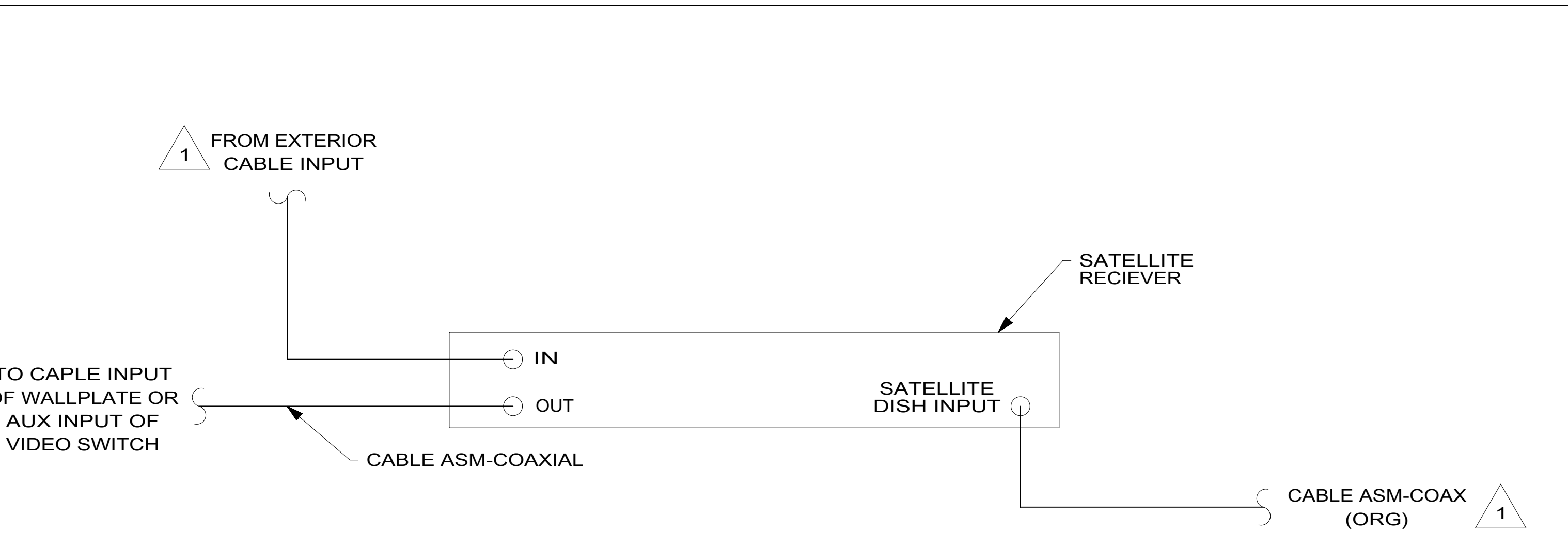
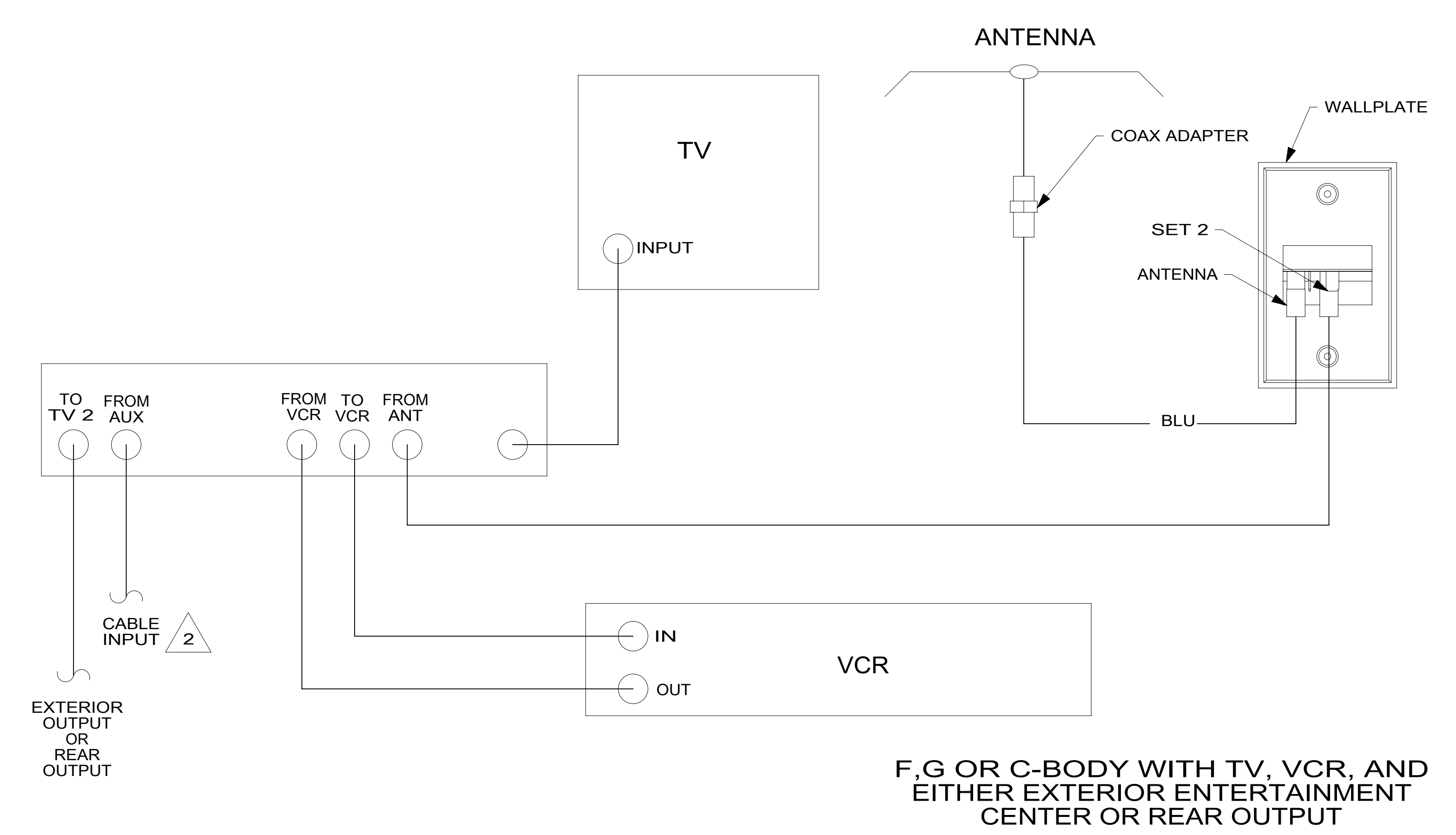
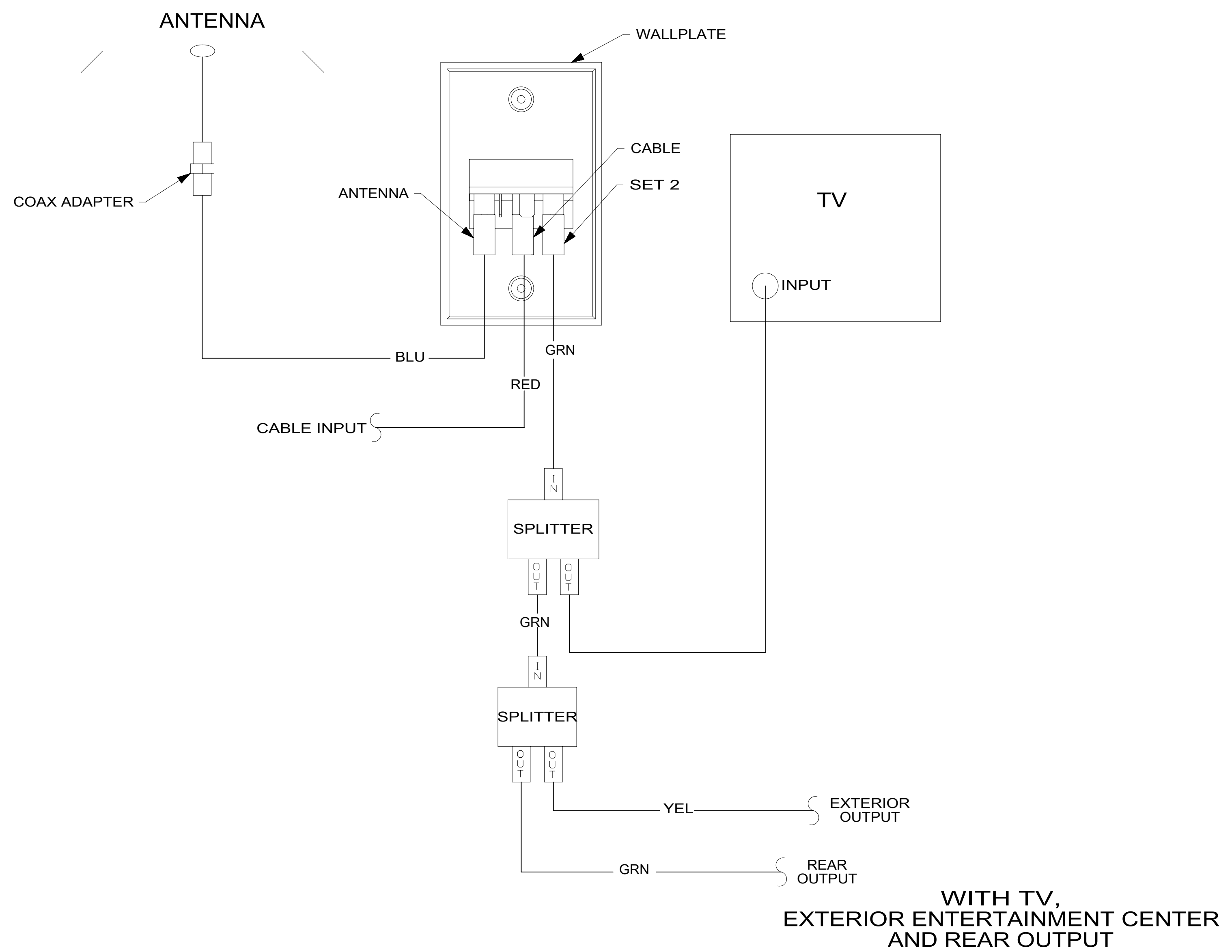
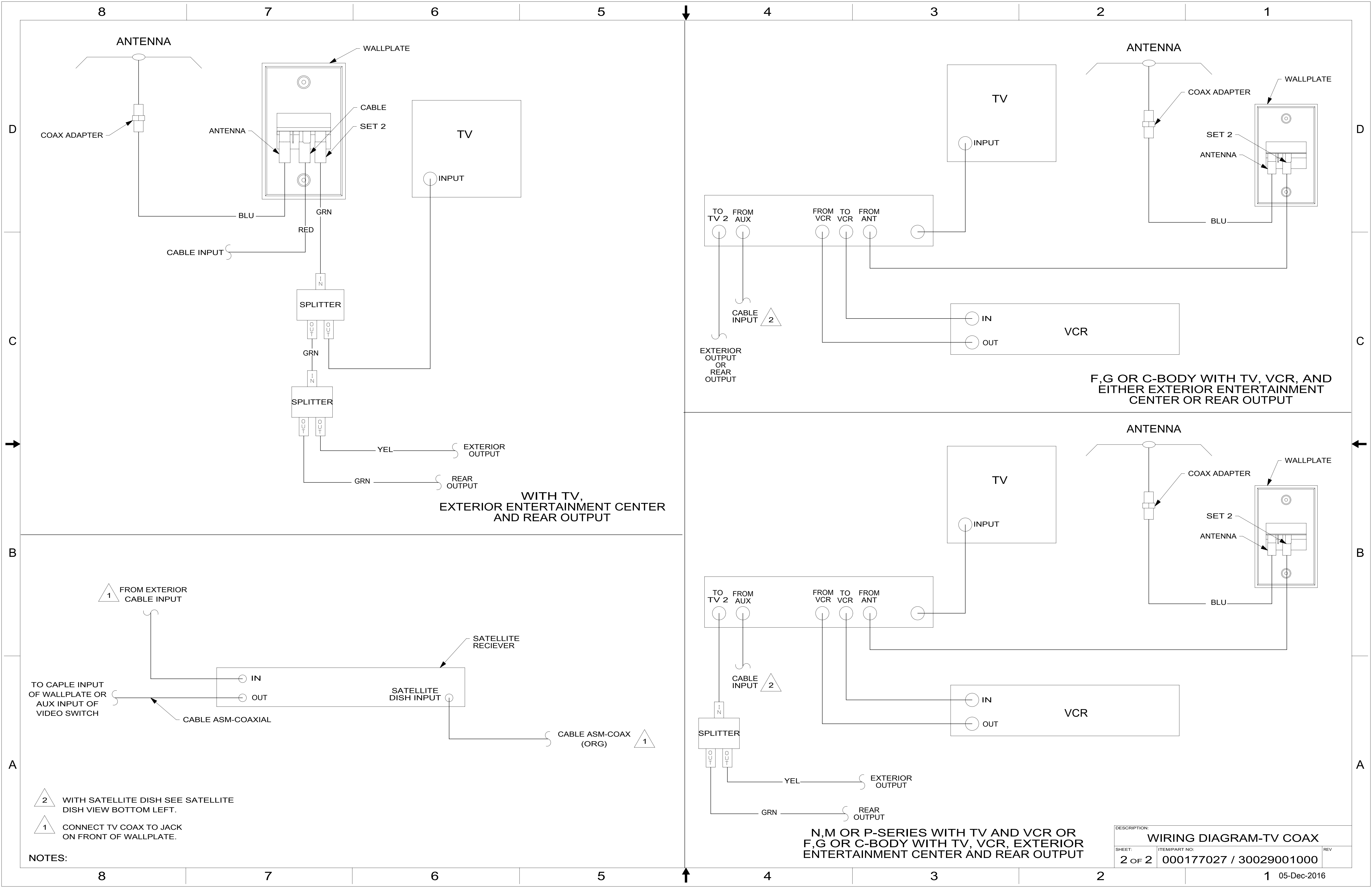


WITHOUT EITHER EXTERIOR ENTERTAINMENT CENTER OR REAR OUTPUT

NOTES:
 2 WITH SATELLITE DISH SEE SATELLITE DISH VIEW SHT 2 BOTTOM LEFT.
 1 COLOR INDICATES IDENTIFICATION TAPE.

WINNEBAGO
 COPYRIGHT 2016 WINNEBAGO INDUSTRIES, INC.

DSNR:	ALL DIMENSIONS ARE IN MILLIMETERS	
DFFR:	MATERIAL:	
UNSPECIFIED TOLERANCES:	WEIGHT: (LBS)	FIRST USED:
WHOLE DIM (X) :		
ONE-PLACE (X.X) :		
TWO-PLACE (X.XX) :		
ANGLE :		
REFER TO ES0018 FOR FASTENER TIGHTENING GUIDELINES		
DESCRIPTION: WIRING DIAGRAM-TV COAX		
SHEET: 1 OF 2	ITEM/PART NO: 000177027 / 30029001000	REV:
REF:		1 05-Dec-2016



- NOTES:**
- △ 2 WITH SATELLITE DISH SEE SATELLITE DISH VIEW BOTTOM LEFT.
 - △ 1 CONNECT TV COAX TO JACK ON FRONT OF WALLPLATE.

DESCRIPTION:		
WIRING DIAGRAM-TV COAX		
SHEET:	ITEM/PART NO.:	REV
2 OF 2	000177027 / 30029001000	