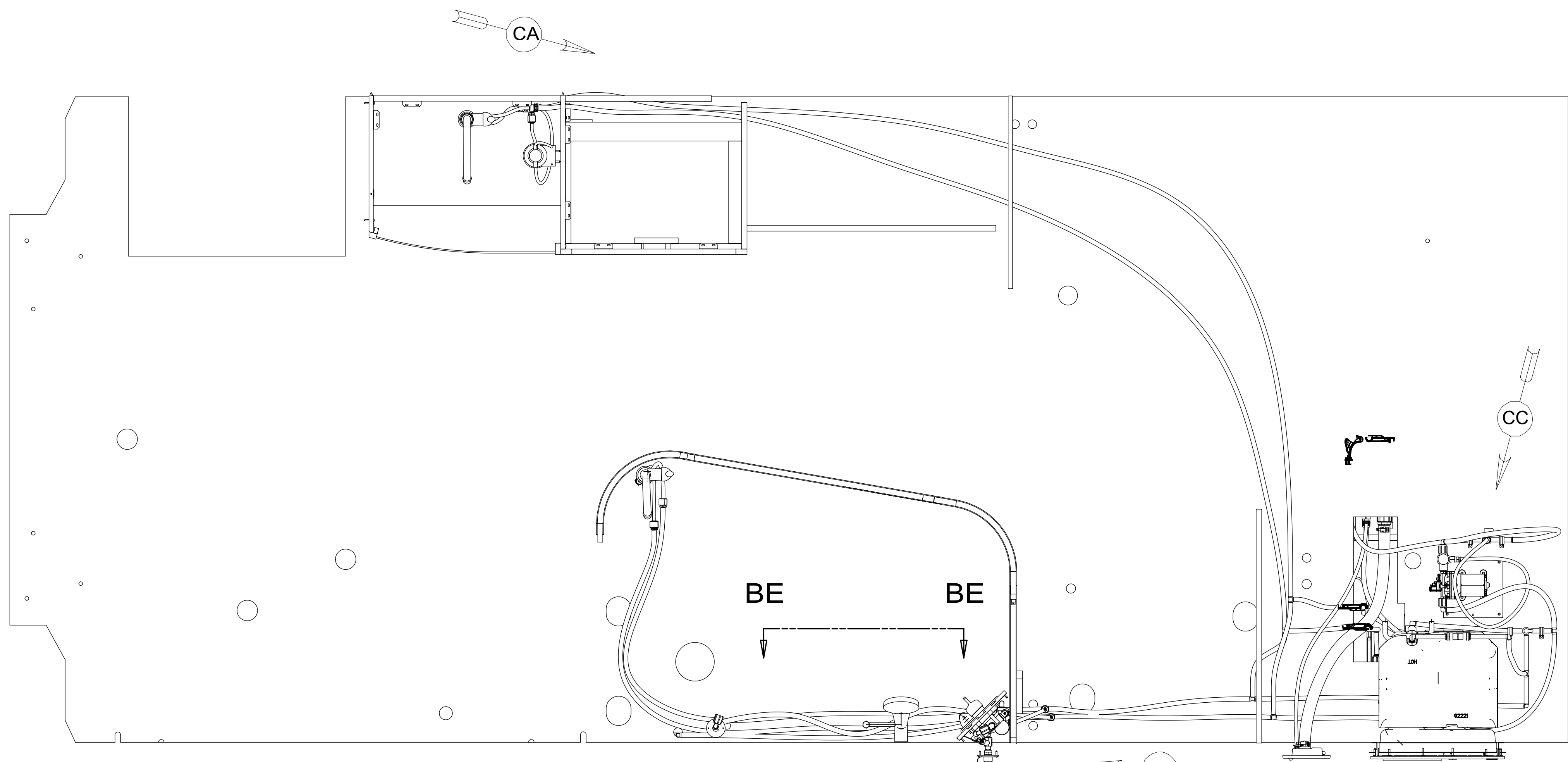


REV	ZONE	REVISION RECORD	DATE	DFTR-ORIG
A	---	INITIAL RELEASE	10/02/15	3650-3660
B	SHT2	ADDED PANEL-SHOWER AND CHNG BRKT	11/09/15	3650-6437
C	S1-3	ADD DELTA 11 NOTE, ADJUST TOILET LINE	11/18/15	3660
D	---	CHG LENGTH SHT3	9-6-16	1600-5472
E	ALL	CHANGE FITTINGS, VARIOUS LENGTH CHANGES	09/21/16	3650
F	SHT2	ADD SECTION BE-BE TO LOCATE SHOWER HEAD	11/29/16	4129



FRONT OF COACH

- NOTES:
1. PLASTIC FITTINGS TO BE SEALED WITH SEALANT 084456-01-000.
 2. TUBING TO BE INSTALLED WITH SUFFICIENT SLOPE TO PROVIDE DRAINAGE TO NEAREST VALVE.
 3. ALL TUBING TO BE SECURED AT 1200 INTERVALS MAXIMUM WITH CLAMP 010495-01-000 AND SCREW 000G67-10-12u OR EQUIVALENT.
 4. ADD TEFLON TAPE 010405-01-000.
 5. ADD PIPE WRAP (LADDER SCRAP 110157-02-000) INSULATION.
 6. INSTALL CONNECTOR WITH TAPERED END AWAY FROM FAUCET.
 7. LAVATORY FAUCET SPOUT TO BE TURNED 180 DEGREES SO THE ON/OFF HANDLE IS FACING TOWARD THE SHOWER.
 8. INSTALL BETWEEN MOUNTING PLATE AND RETAINING NUTS.
 9. ALL CRIMP FITTINGS TO PEX TUBING REQUIRE 5/8" CLAMP 140171-04-000.
 10. INSTALL BYPASS PLUG FOR SYSTEM TESTING AND SHIPPING.
 11. GALLEY FAUCET TO BE INSTALLED SO THE ON/OFF HANDLE CLEARS WINDOW SHADE.

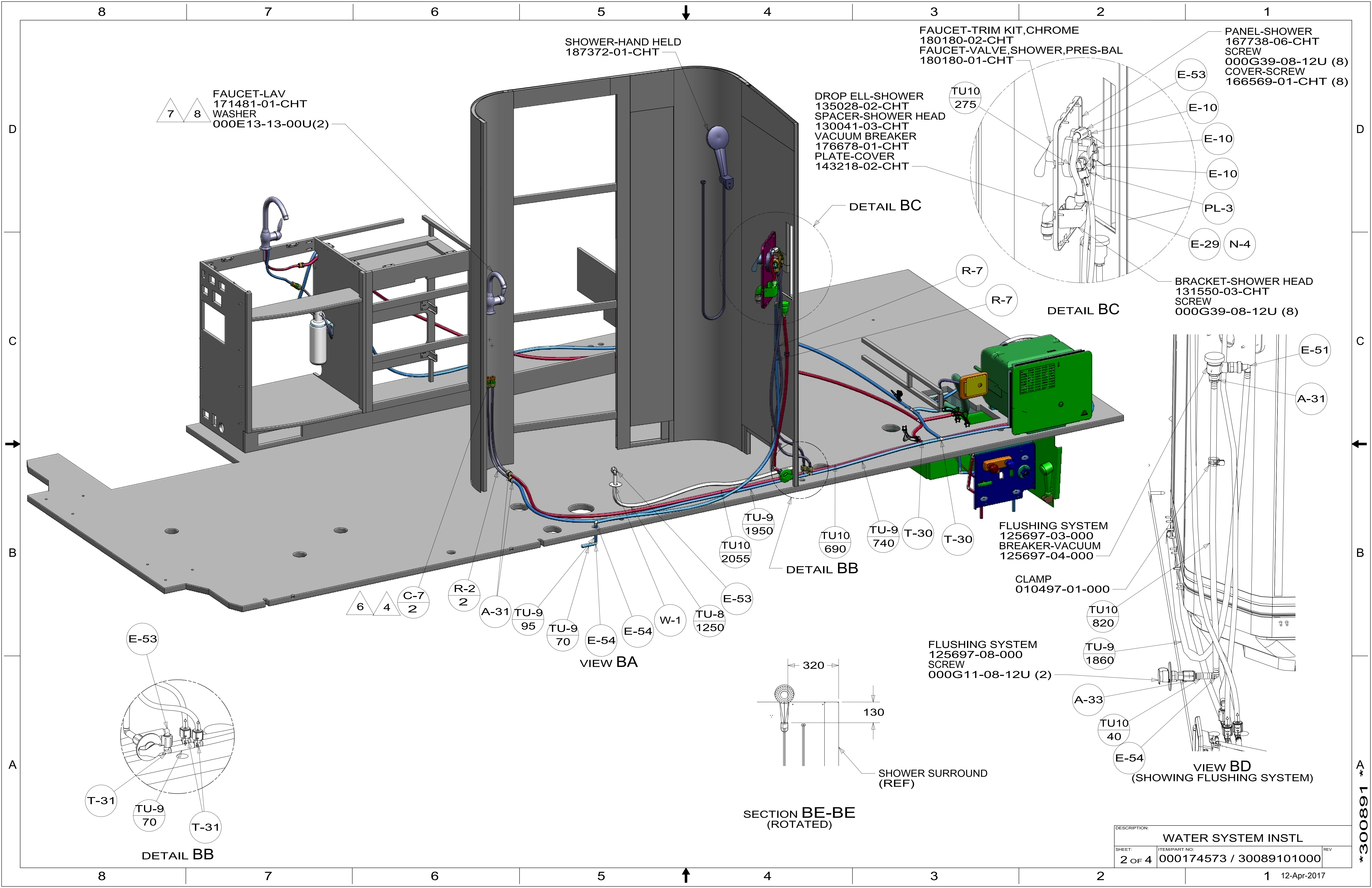
- 53B WTR HTR-6GAL ELECTRIC/LP GAS
- 1B1 CODES/STANDARDS USA
- 265 CODES/STANDARDS-CSA/CMVSS
- 29B WATER PURIFIER

X-X
FOR WATER CALLOUTS SEE DWG NO. 000209446 / 303369-01-000

WINNEBAGO
COPYRIGHT 2017 WINNEBAGO INDUSTRIES, INC.

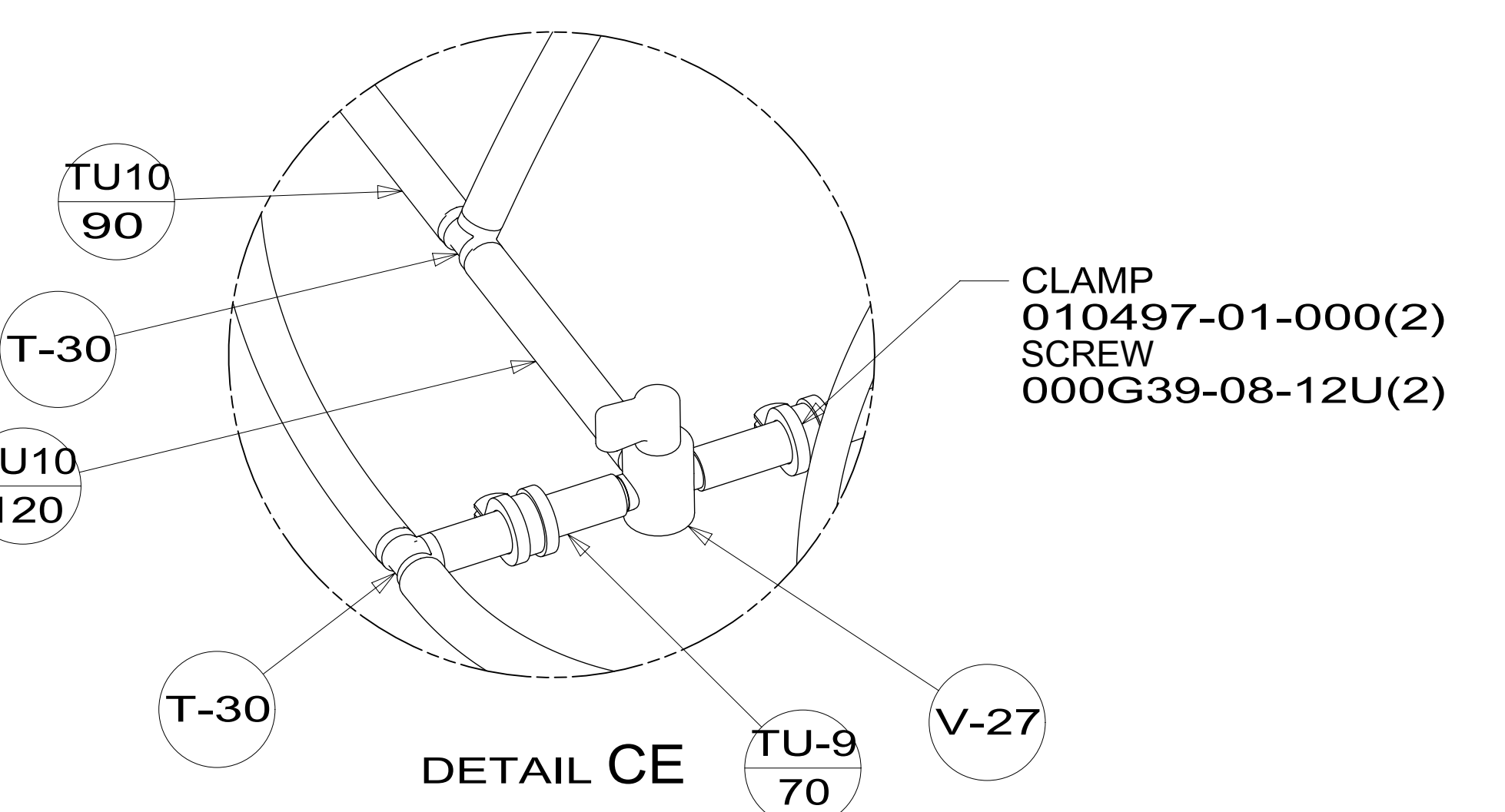
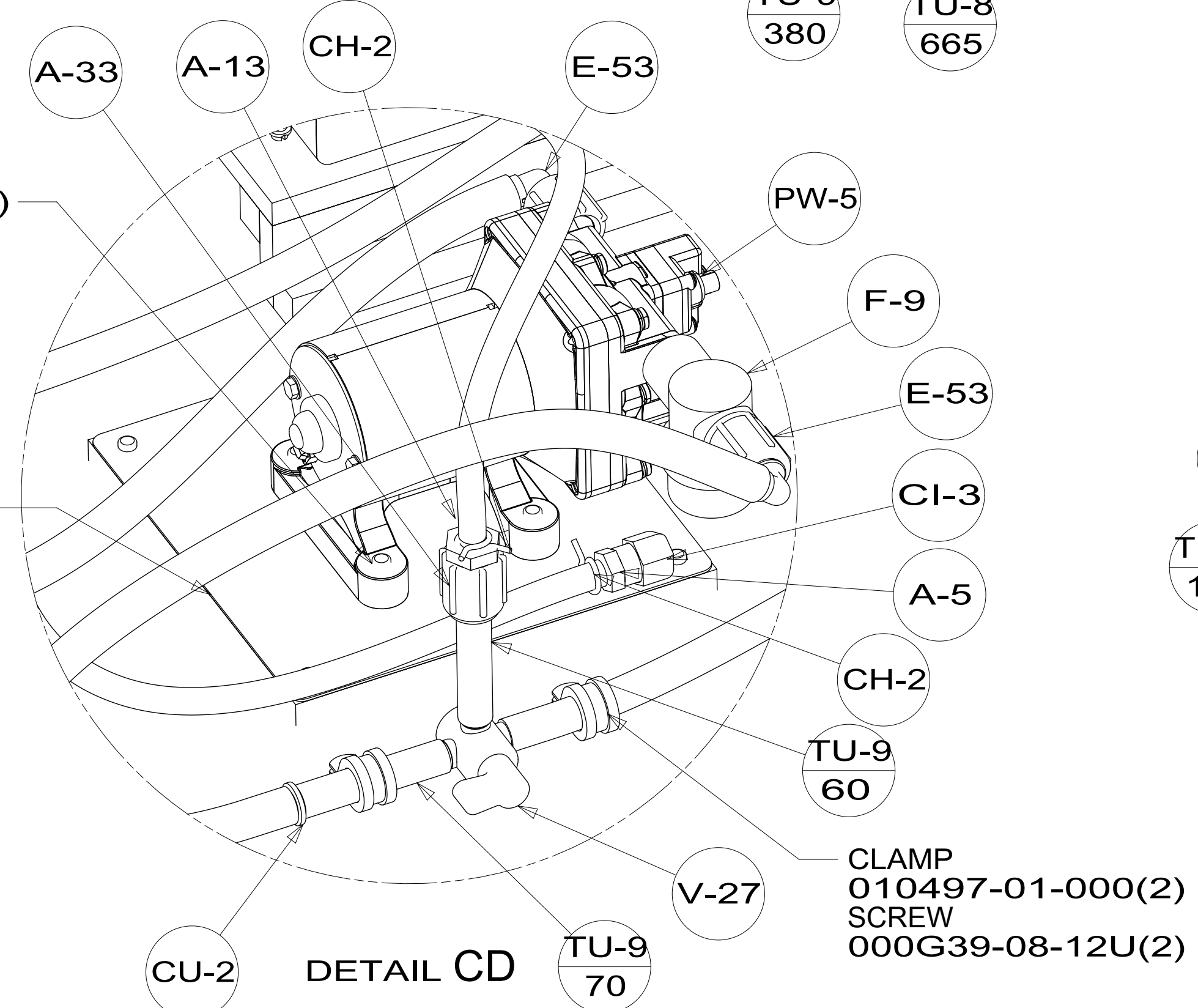
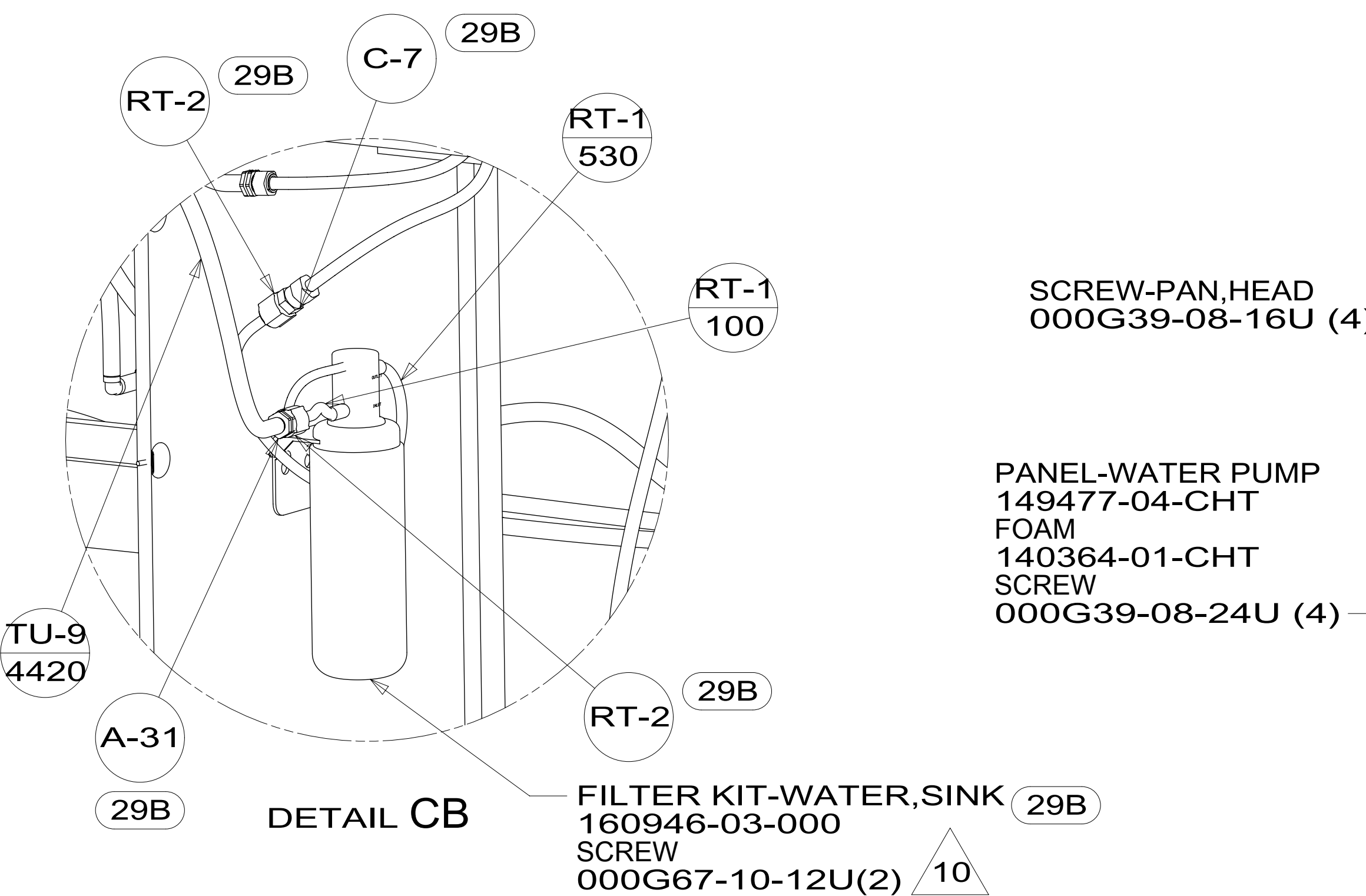
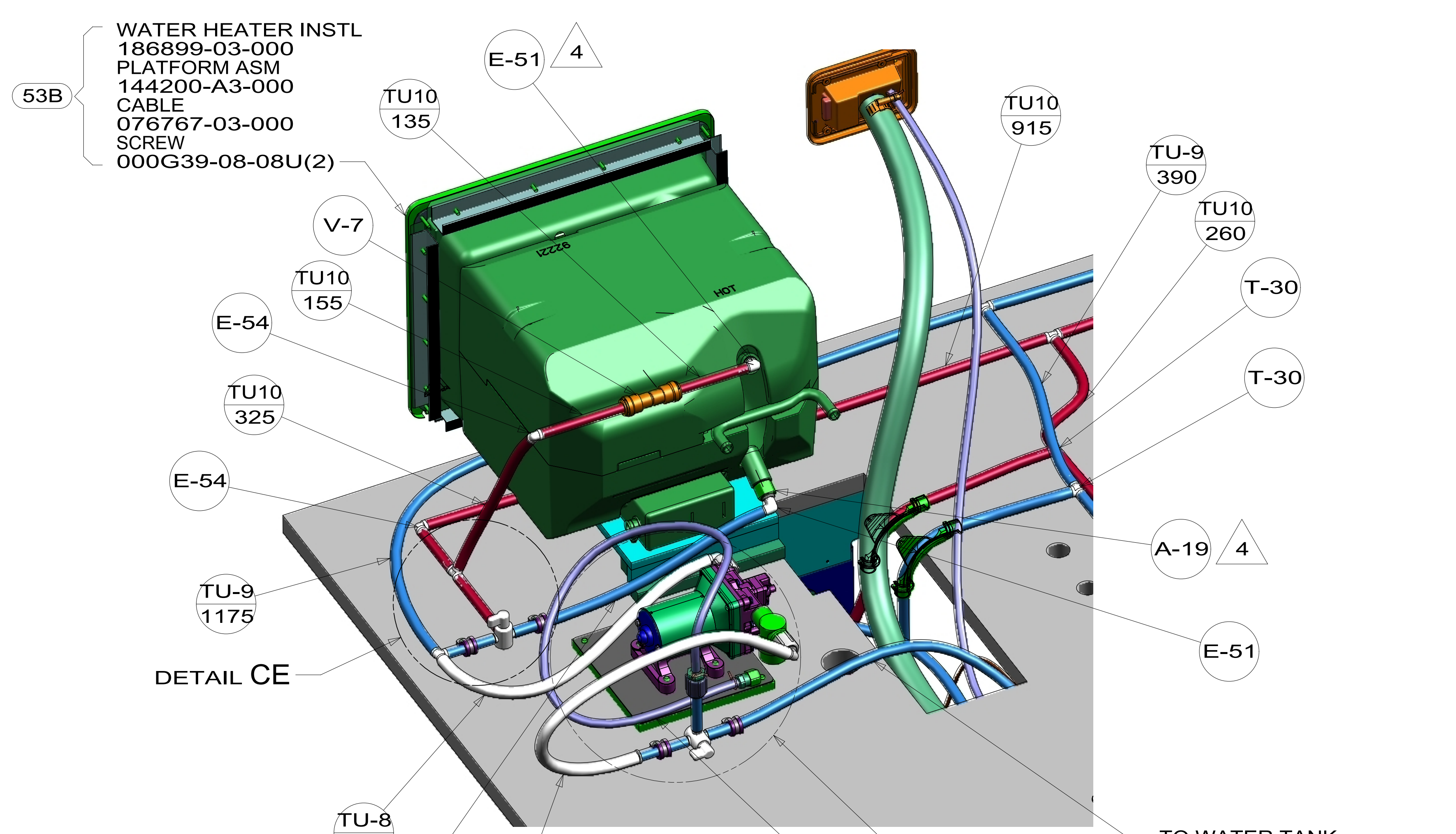
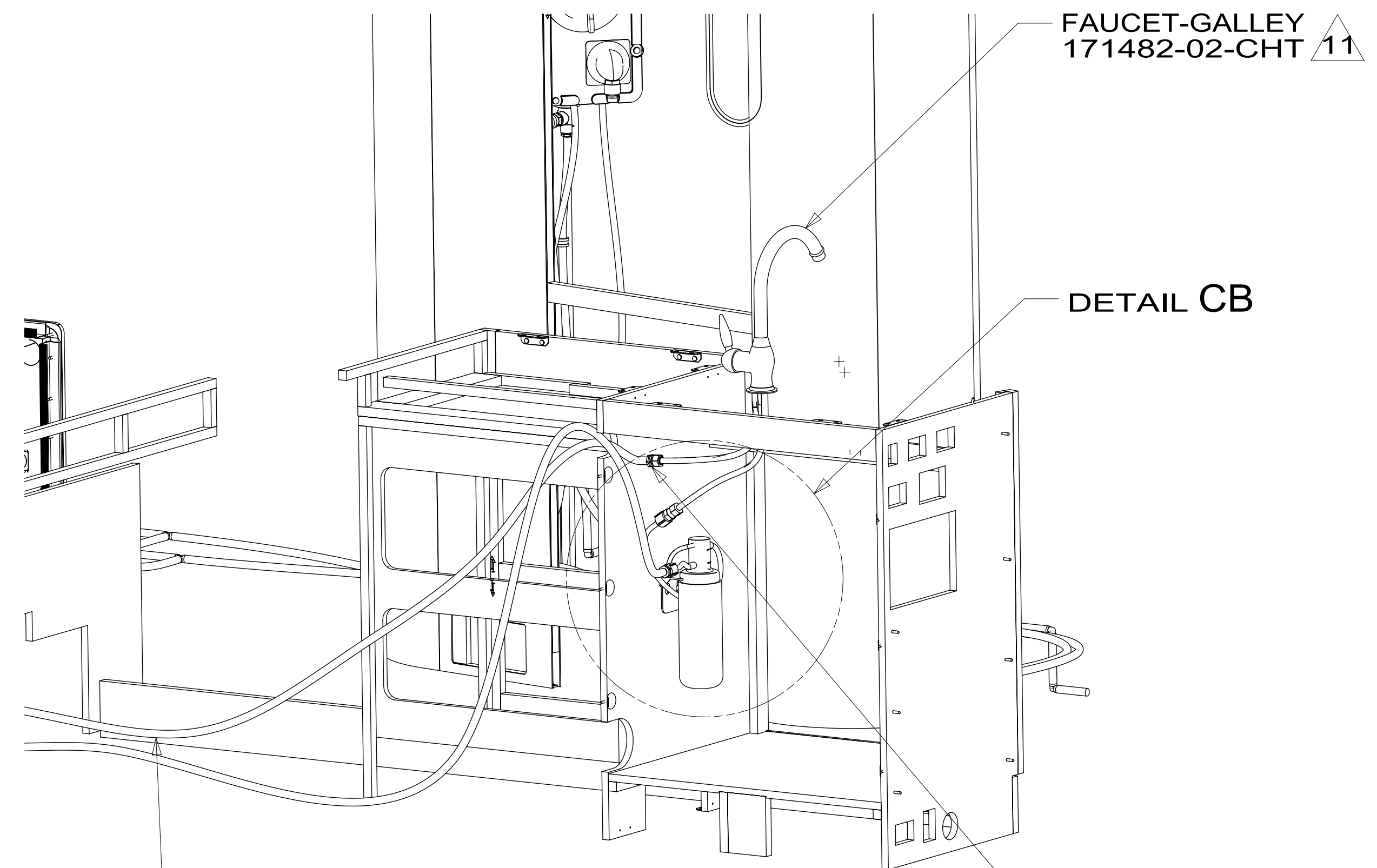
DSNR:	ALL DIMENSIONS ARE IN MILLIMETERS	
DFTR:	MATERIAL:	
UNSPECIFIED TOLERANCES:	WHOLE DIM (X) :	3
	ONE-PLACE (X.X) :	1.5
	TWO-PLACE (X.XX) :	0.50
	ANGLE :	1°
REFER TO ES0018 FOR FASTENER TIGHTENING GUIDELINES	WEIGHT: (LBS)	FIRST USED: (REF)
		16 524V
DESCRIPTION: WATER SYSTEM INSTL		
SHEET: 1 OF 4	ITEM/PART NO: 000174573 / 30089101000	REV:
REF:		1 12-Apr-2017

300891



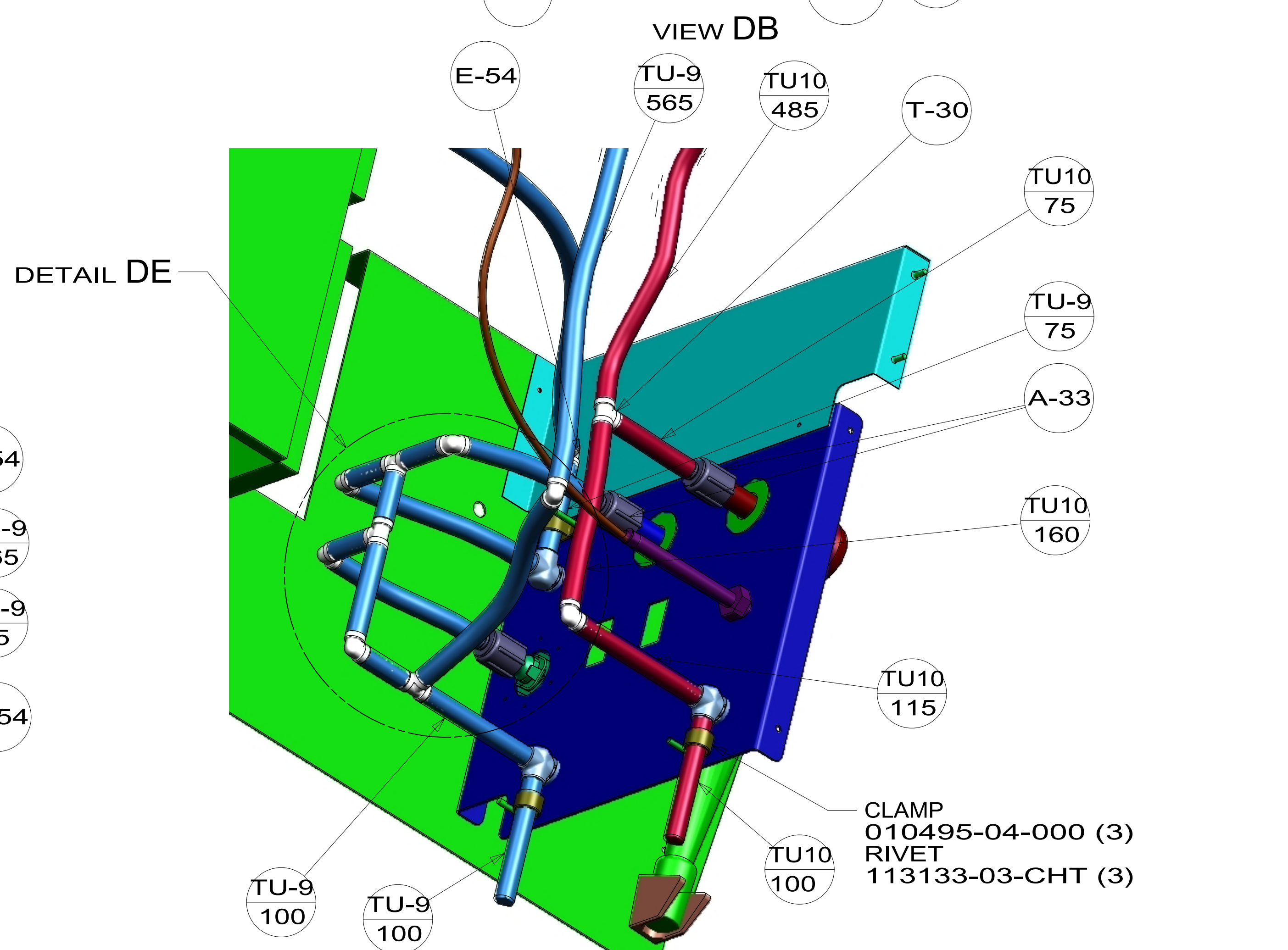
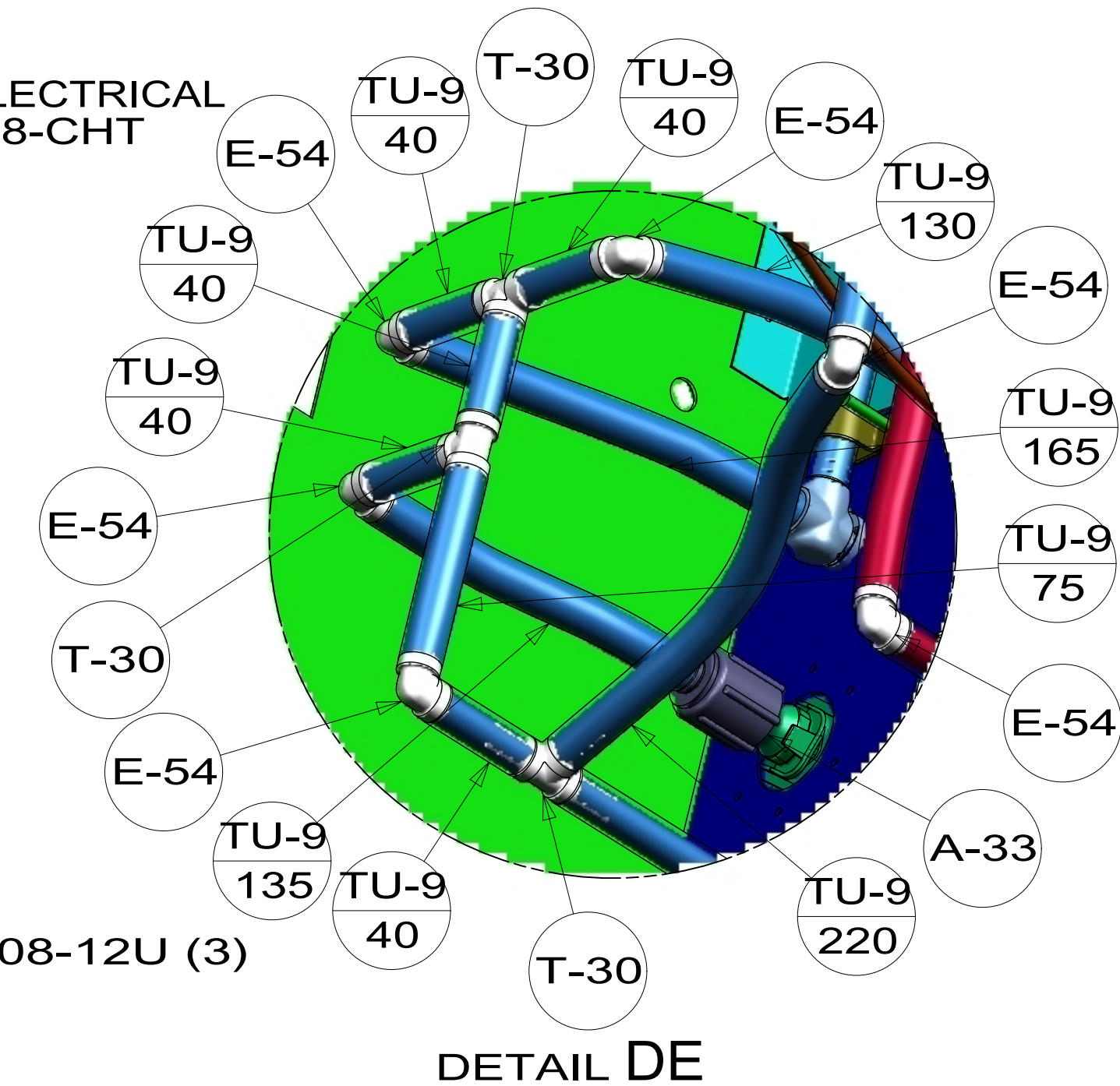
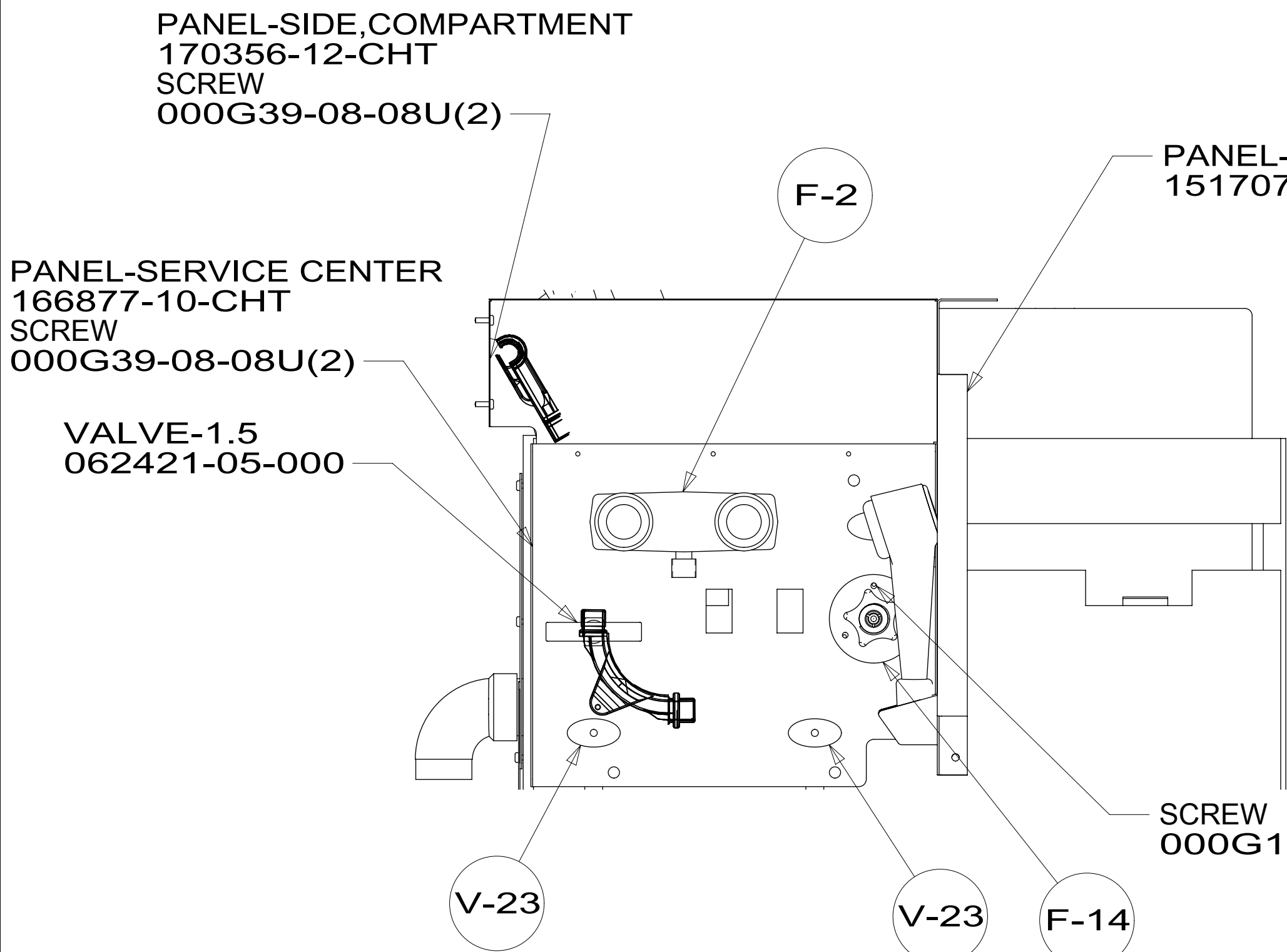
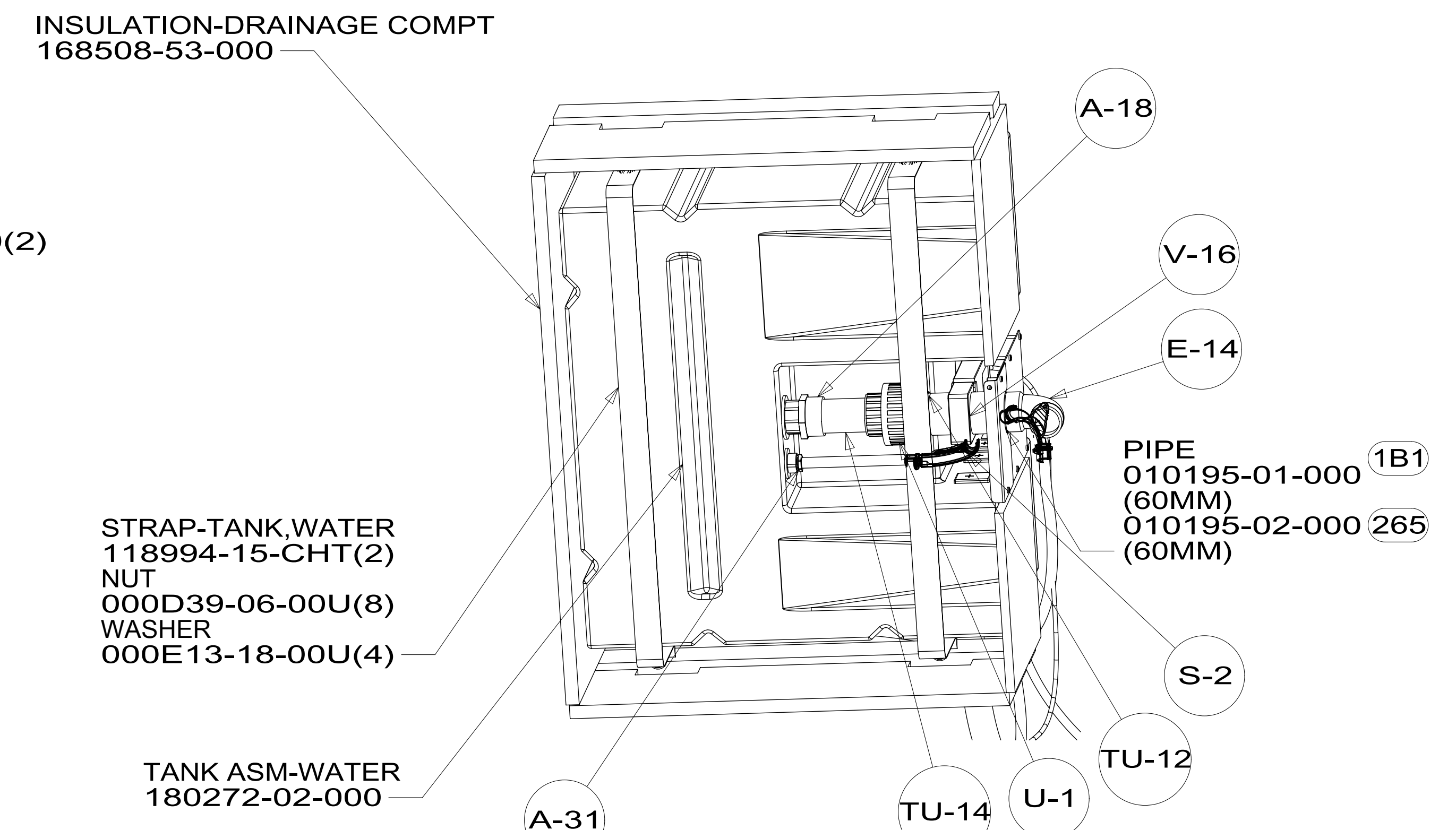
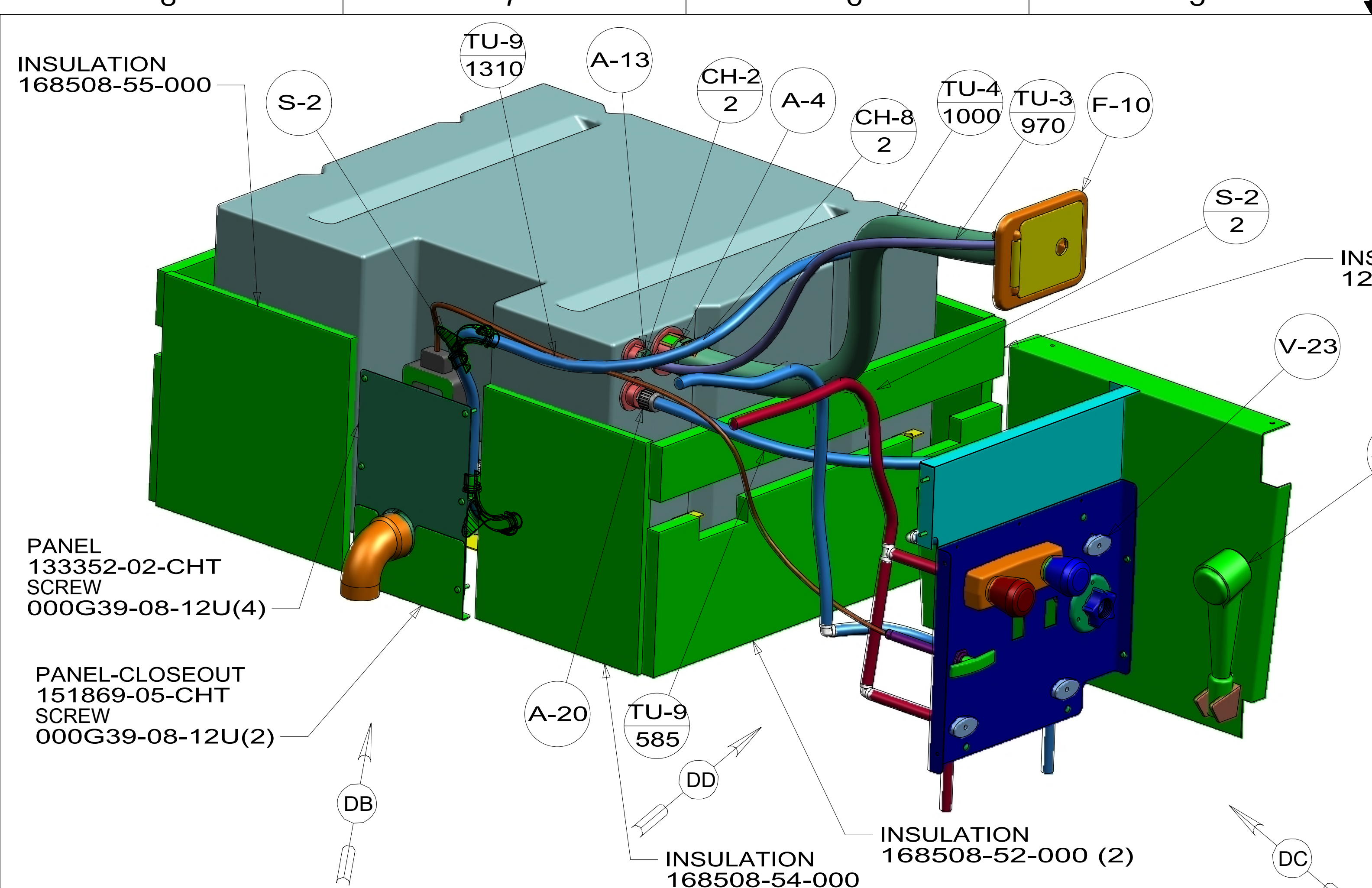
DESCRIPTION:		
WATER SYSTEM INSTL		
SHEET:	ITEM/PART NO.:	REV
2 OF 4	000174573 / 30089101000	

*300891



DESCRIPTION:		
WATER SYSTEM INSTL		
SHEET:	ITEM/PART NO.:	REV
3 OF 4	000174573 / 30089101000	

*300891



DESCRIPTION:		
WATER SYSTEM INSTL		
SHEET:	ITEM/PART NO.:	REV
4 OF 4	000174573 / 30089101000	

*300891