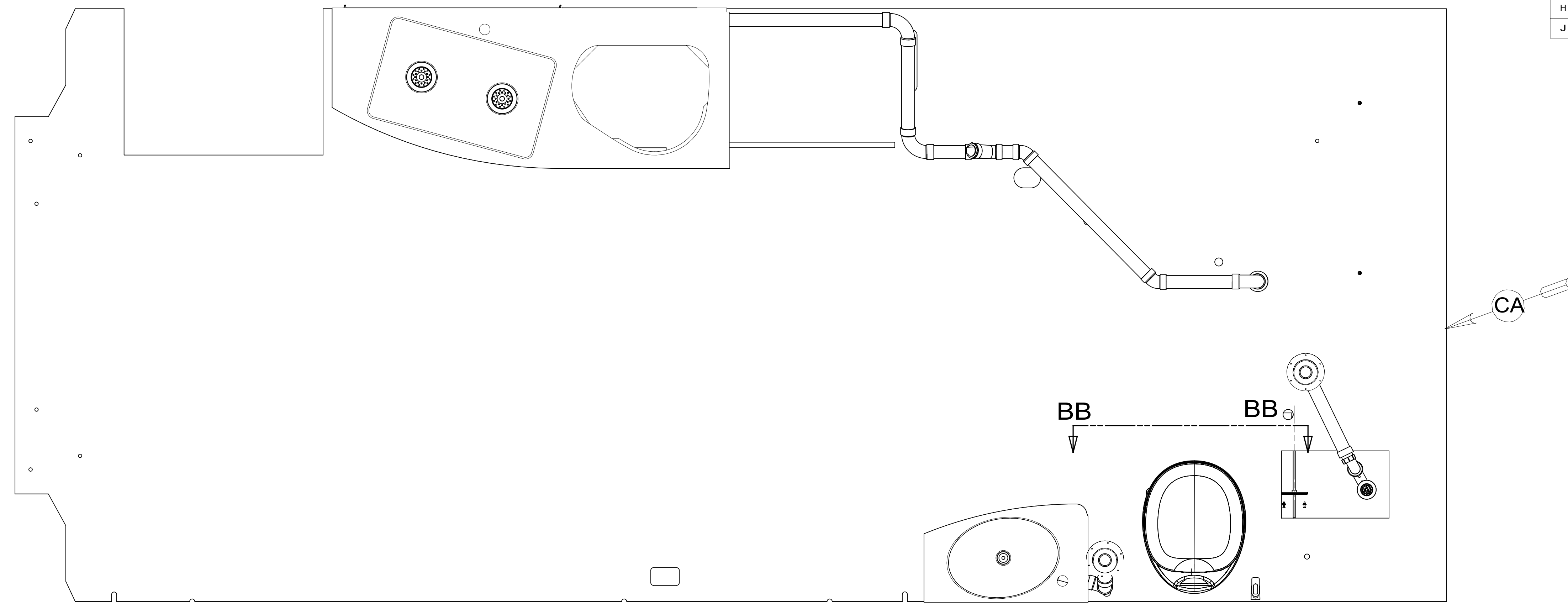


REV	ZONE	REVISION RECORD	DATE	DFTR-ORIG
A	---	INITIAL RELEASE	10/05/15	3650-3660
B	S3CB	P-1 WAS P-2, 1/295 WAS 1/220, 1/50 WAS 1/60, A-15 WAS A-8	02/03/16	3650-2314
C	S2C4	1/175 WAS 1/180	03/18/16	3650-5472
D	SHT2	NEW GALLEY SINK	05/31/16	3650-3660
E	SH1-2	ADD DELTA 9, ADD SCREWS 0MGG2U-04-030 (6) & 000G13-07-12U (6)	07/29/16	3660
F	SHT4	NEW TANK	09/28/16	3650
G	SHT4	COST SAVINGS SUGGESTION # 6252	10/06/16	2183
H	S2D4	CHG VM-1 TO VM-2	6/2/17	4707
J	SHT2	CHG W-2 TO W-3	9-1-17	8378-1600



FRONT OF COACH

- 9 REPLACE SUPPLIED STUD AND WINGNUT WITH FASTENER AND INSTALL WITH SUPPLIED RETAINING ANGLE.
- 8 PREPARE THE SURFACE PER MANUFACTURERS INSTRUCTIONS BEFORE APPLYING THE HEATING PAD.
- 7 USE SMOOTH PLUMBERS PUTTY 167459-01-000 TO SEAL STRAINER (.2 PER STAINER).
- 6 VENT PIPE MUST PROJECT 51 MIN AND 64 MAX ABOVE ROOF FOR PROPER FIT AND FUNCTION.
- 5. SEAL AROUND SHOWER WITH SILICONE.
- 4 SECURE VENT PIPE TO FLOOR WITH CLAMP 062401-02-000 (2), SCREW 000G67-10-12U (2), BRACKET 136878-01-CHT (2).
- 3. ALL PIPE AND FITTINGS TO BE ASSEMBLED WITH SOLVENT 004020-01-000 (USA), 004020-02-000 (CAN).
- 2. SLOPE OF TRAP ARM MUST BE 6 PER 305 mm.
- 1. SLOPE OF HORIZONTAL PIPING TO BE MIN 3 PER 305 mm.

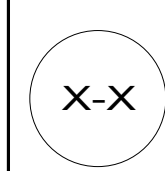
NOTES:

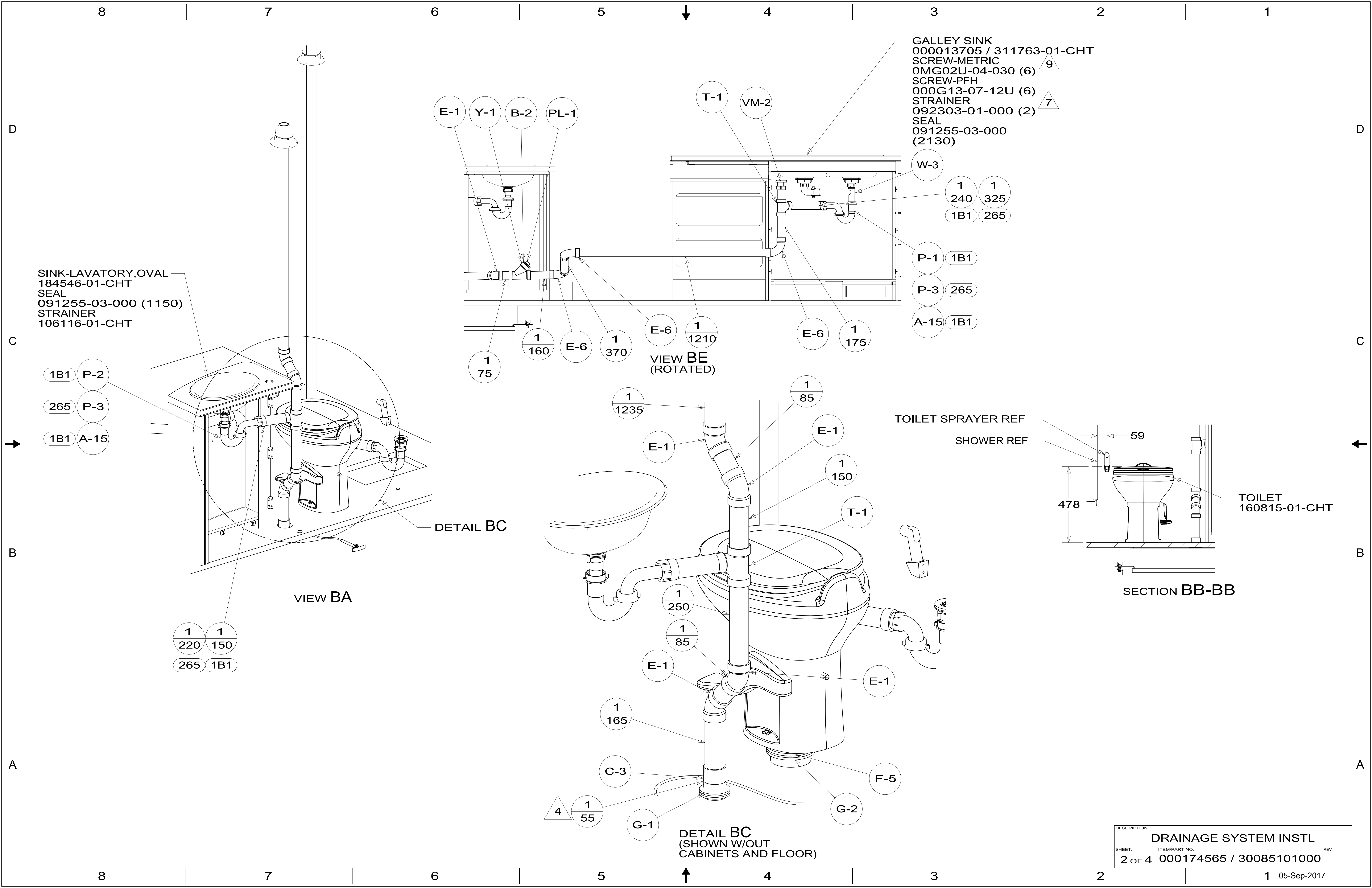
- 1B1 CODES/STANDARDS USA
- 265 CODES/STANDARDS-CSA/CMVSS
- 23T DRAINAGE SYSTEM-HEATED
- 1JD DRAINAGE SYSTEM-HEATED-W/O

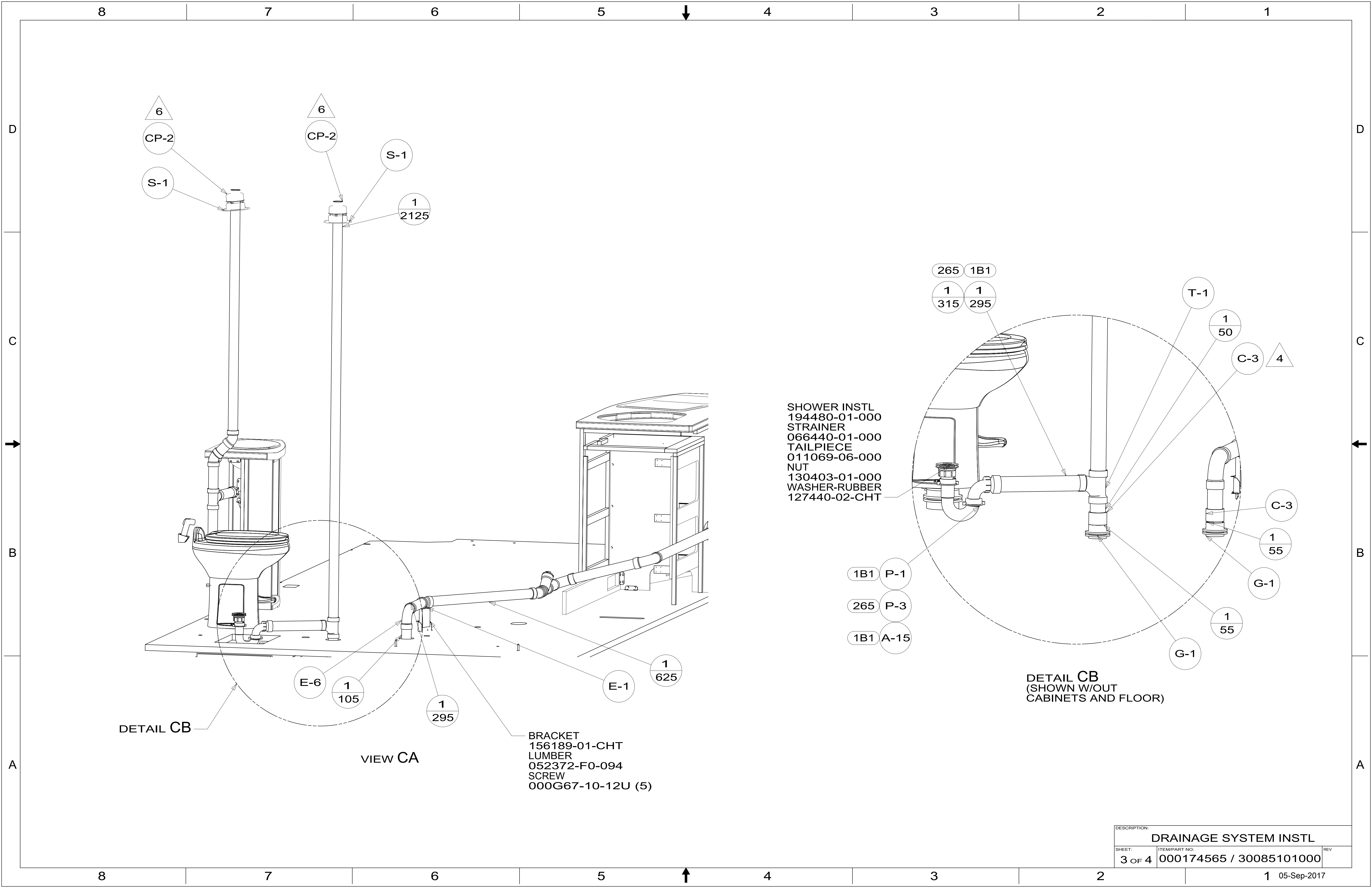


DSNR:		ALL DIMENSIONS ARE IN MILLIMETERS	
DFTR:			
UNSPECIFIED TOLERANCES:		MATERIAL:	
WHOLE DIM (X)	3		
ONE-PLACE (X.X)	1.5		
TWO-PLACE (X.XX)	0.50		
ANGLE	1°		
REFER TO ES0018 FOR FASTENER TIGHTENING GUIDELINES		WEIGHT: (LBS)	FIRST USED: (REF)
			16 524J
DESCRIPTION:			
DRAINAGE SYSTEM INSTL			
SHEET:	ITEM/PART NO:	REV	
1 OF 4	000174565 / 30085101000		

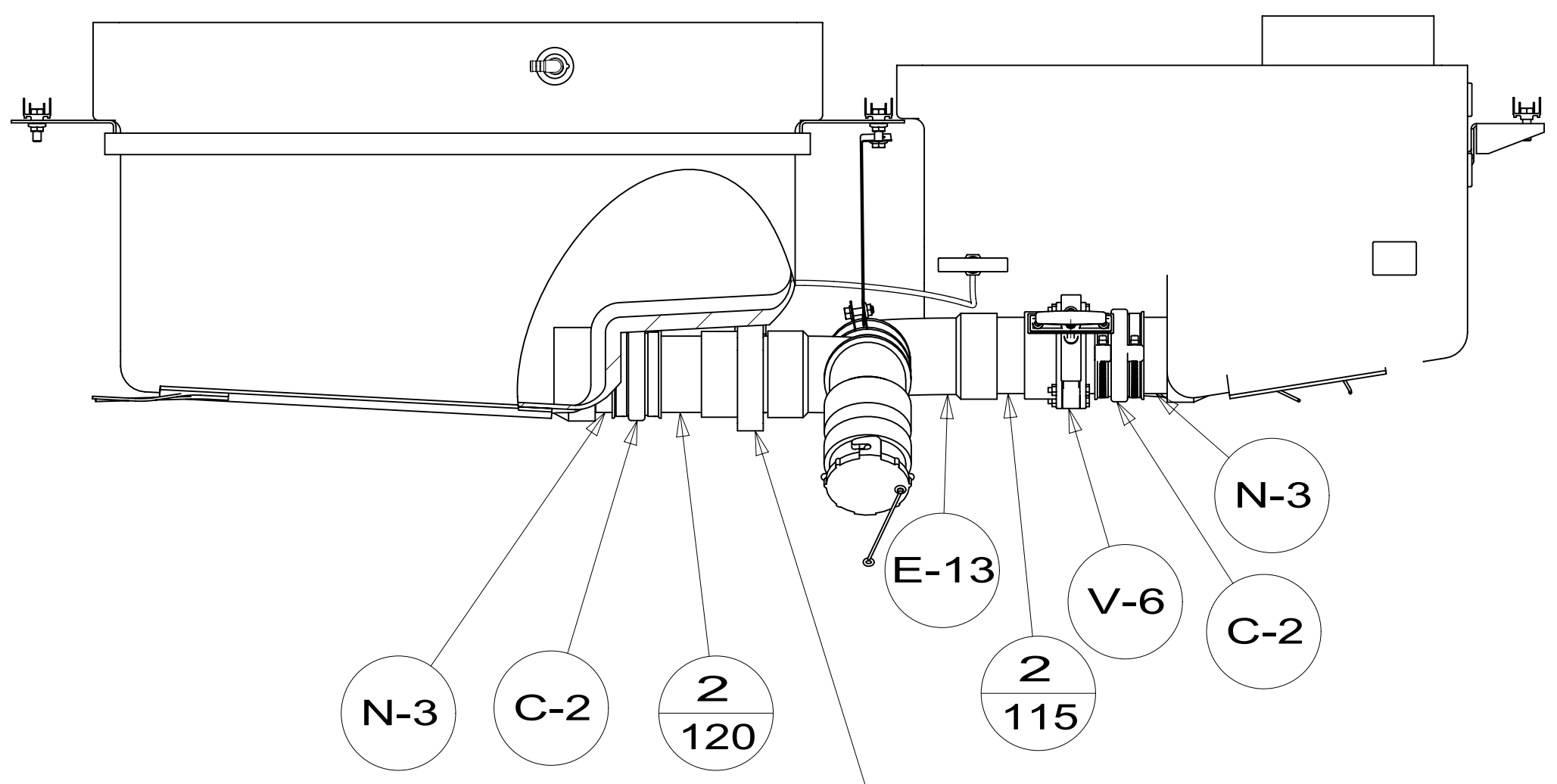
FOR DRAINAGE CALLOUTS SEE DWG NO. 000211962 / 303370-01-000







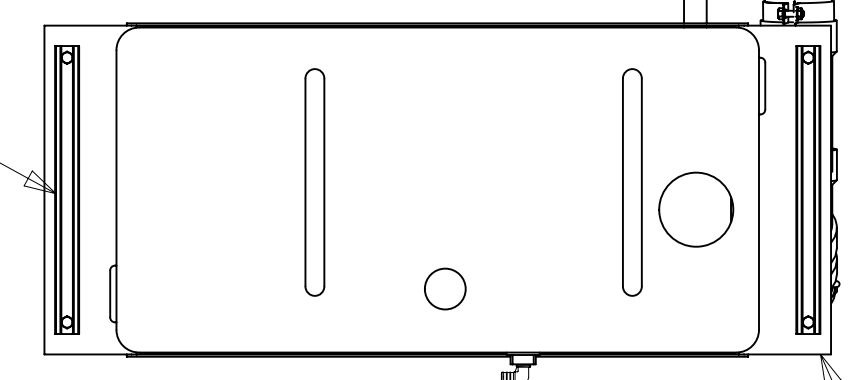
8 7 6 5 4 3 2 1



VALVE-3.0 HUB X SPIGOT,REMOTE  
129147-02-000

VIEW DB

ULOCK-RISER  
151437-10-CHT (2)  
BOLT  
000C12-06-20U (4)  
NUT  
000D39-06-00U (4)



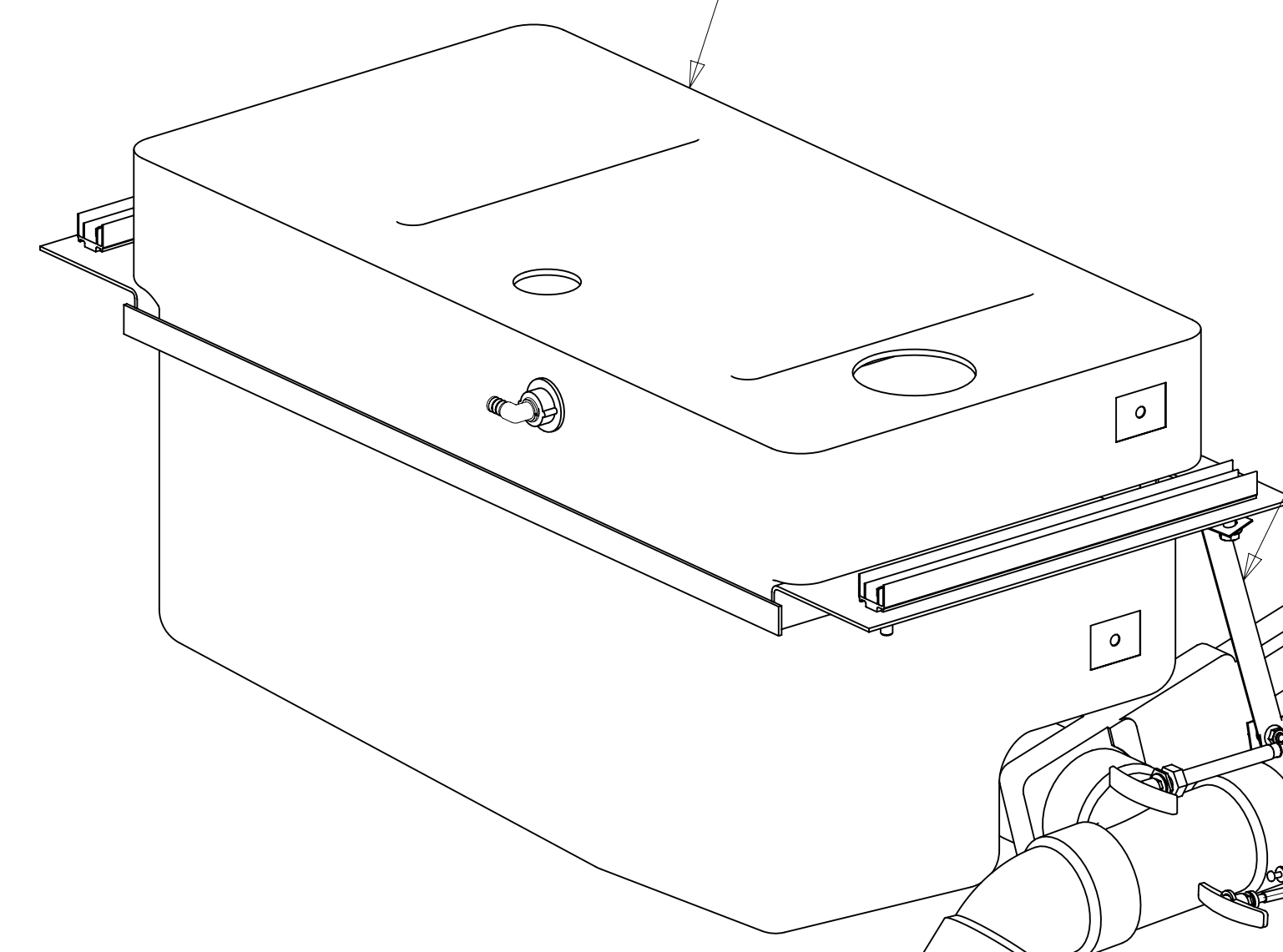
INSULATION-DRAINAGE COMPT  
168508-40-000

HANDLE-EXTENSION,W/6 ADAPTER  
062419-15-000  
BOLT  
000G18-08-12U (2)  
NUT  
000D65-08-00U (2)

VALVE-1.5  
062421-11-000

CRADLE ASM-HOLDING TANK  
137611-04-CHT

### SHOWING TANKS AND DRAINS



TANK-HOLDING  
000032970 / 317363-01-000

HANGER-STRAP  
140220-19-CHT  
HOLDER-RING  
141443-05-CHT  
NUT  
000D39-06-00U  
BOLT  
000C26-05-16U  
NUT  
000D39-05-00U

ULOCK-RISER  
151437-12-CHT (2)

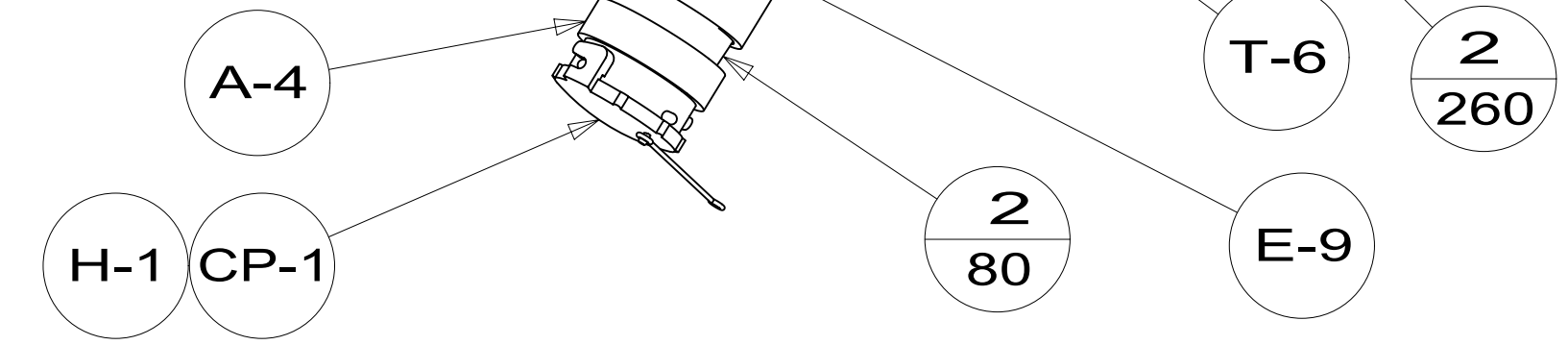
BOLT  
000C12-06-20U (4)  
NUT  
000D39-06-00U (4)

BRACKET ASM-TANK MOUNT  
167936-05-CHT

TANK ASM-HOLDING,40 GAL  
172748-04-000

BRACKET ASM-TANK MOUNT  
167936-03-CHT

PAD-HEATER  
133972-04-000 (2)



VIEW DA

23T  
8

DESCRIPTION: <b>DRAINAGE SYSTEM INSTL</b>		
SHEET: 4 OF 4	ITEM/PART NO: 000174565 / 30085101000	REV

8 7 6 5 4 3 2 1 05-Sep-2017