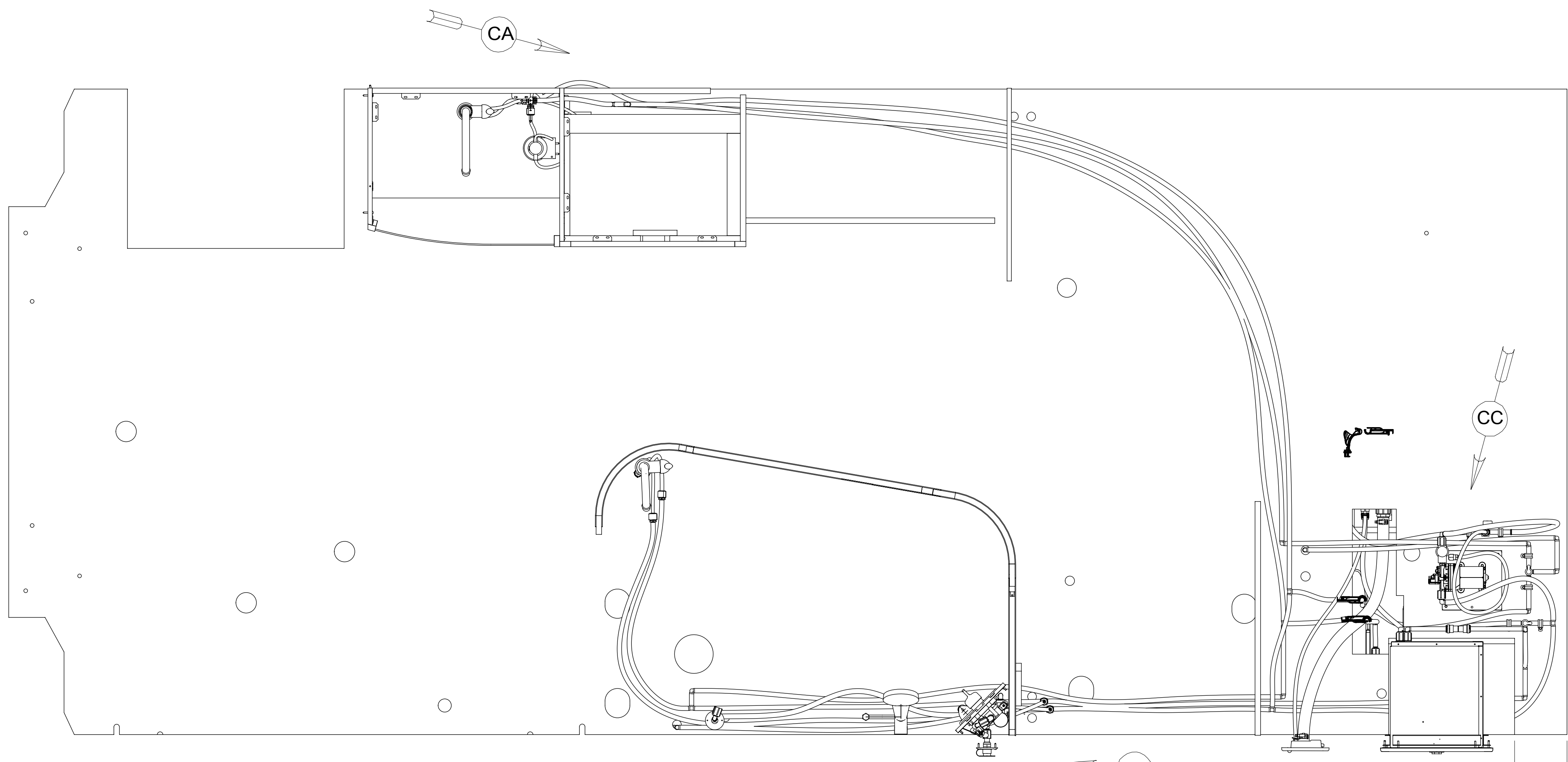


REV	ZONE	REVISION RECORD	DATE	DFTR-ORIG
A	---	INITIAL RELEASE	09/30/15	3650-3660
B	SHT2	ADD PANEL SHOWER	11/09/15	3650-6437
C	S1-3	ADD DELTA 11 NOTE, CHANGE TOILET LINE	11/18/15	3660
D	SHT3	TU9/4270 WAS 4420	09/06/16	3650-5472
E	ALL	FITTINGS CHANGE, VARIOUS LENGTH CHANGES	09/23/16	3650



FRONT OF COACH

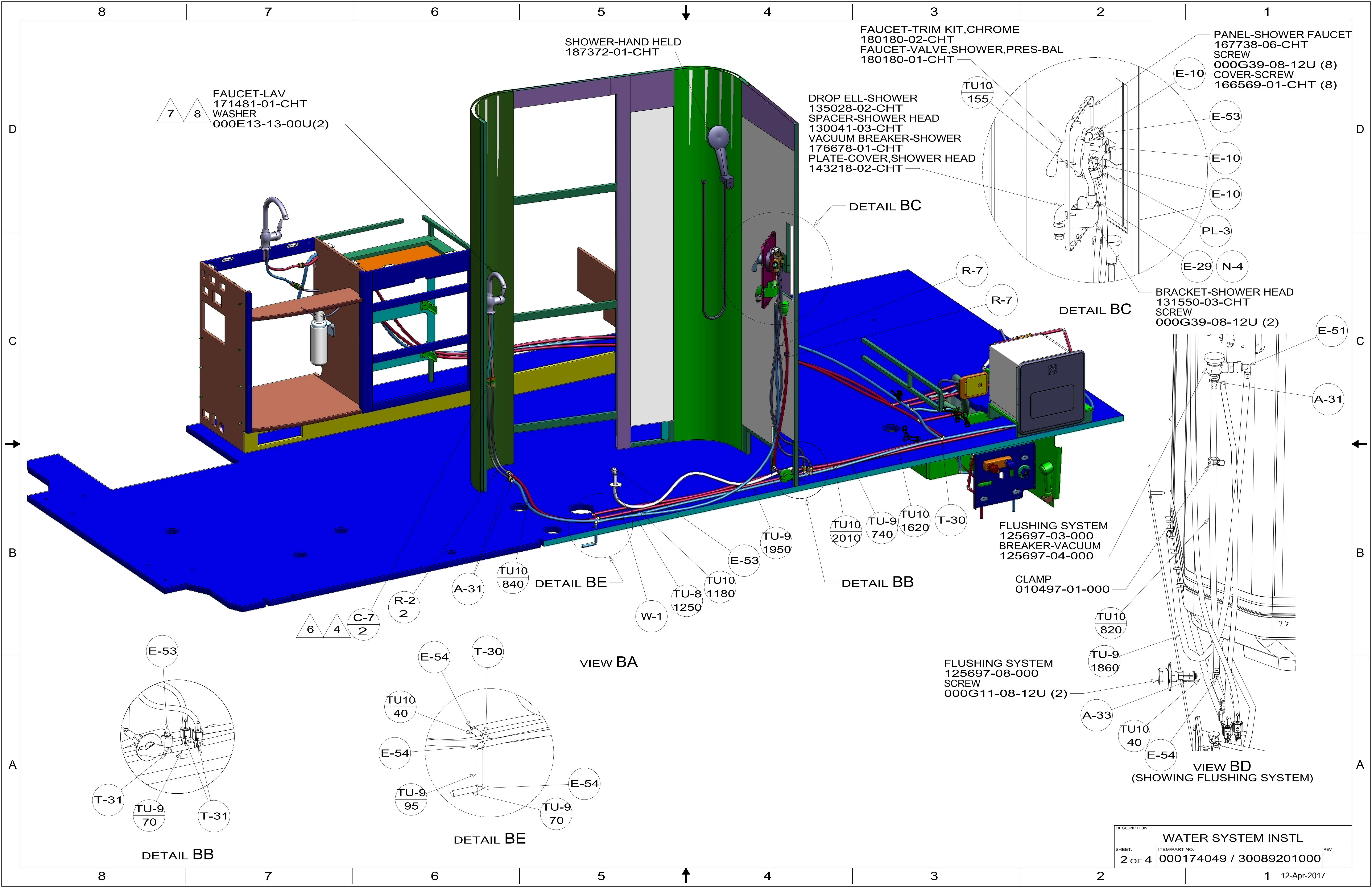
- 11 GALLEY FAUCET TO BE INSTALLED SO THE ON/OFF HANDLE CLEARS WINDOW SHADE.
- 10 INSTALL BYPASS FOR SYSTEM TESTING AND SHIPPING.
- 9. ALL CRIMP FITTINGS TO PEX TUBING REQUIRE 5/8" CLAMP 140171-04-000.
- 8 INSTALL BETWEEN MOUNTING PLATE AND RETAINING NUTS.
- 7 LAVATORY FAUCET SPOUT TO BE TURNED 180 DEGREES SO THE ON/OFF HANDLE IS FACING TOWARD THE SHOWER.
- 6 INSTALL CONNECTOR WITH TAPERED END AWAY FROM FAUCET.
- 5 ADD PIPE WRAP (LADDER SCRAP 110157-02-000) INSULATION.
- 4 ADD TEFLON TAPE 010405-01-000.
- 3. ALL TUBING TO BE SECURED AT 1200 INTERVALS MAXIMUM WITH CLAMP 010495-01-000 AND SCREW 000G67-10-12B OR EQUIVALENT.
- 2. TUBING TO BE INSTALLED WITH SUFFICIENT SLOPE TO PROVIDE DRAINAGE TO NEAREST VALVE.
- 1. PLASTIC FITTINGS TO BE SEALED WITH SEALANT 084456-01-000.

- 1BU WTR HTR TKLS W/RECIRCUL PUMP
- 1B1 CODES/STANDARDS USA
- 265 CODES/STANDARDS-CSA/CMVSS
- 29B WATER PURIFIER

WINNEBAGO
COPYRIGHT 2017 WINNEBAGO INDUSTRIES, INC.

DSNR:	ALL DIMENSIONS ARE IN MILLIMETERS	
DFTR:	MATERIAL:	
UNSPECIFIED TOLERANCES:	WHOLE DIM (X) :	3
	ONE-PLACE (X.X) :	1.5
	TWO-PLACE (X.XX) :	0.50
	ANGLE :	1°
REFER TO ES0018 FOR FASTENER TIGHTENING GUIDELINES	WEIGHT: (LBS)	FIRST USED: (REF)
		16 524V
DESCRIPTION: WATER SYSTEM INSTL		
SHEET: 1 OF 4	ITEM/PART NO: 000174049 / 30089201000	REV:

X-X
FOR WATER CALLOUTS SEE DWG NO. 000209446 / 303369-01-000



FAUCET-GALLEY
171482-02-CHT Δ 11

1BU
WATER HEATER INSTL
194676-01-000
PLATFORM ASM
141210-03-000
CABLE
076767-03-000
SCREW
000G39-08-08U(2)

DETAIL CB

DETAIL CE

TO WATER TANK

SCREW-PAN,HEAD
000G39-08-16U (4)

PANEL-WATER PUMP
149477-04-CHT
FOAM
140364-01-CHT
SCREW
000G39-08-24U (4)

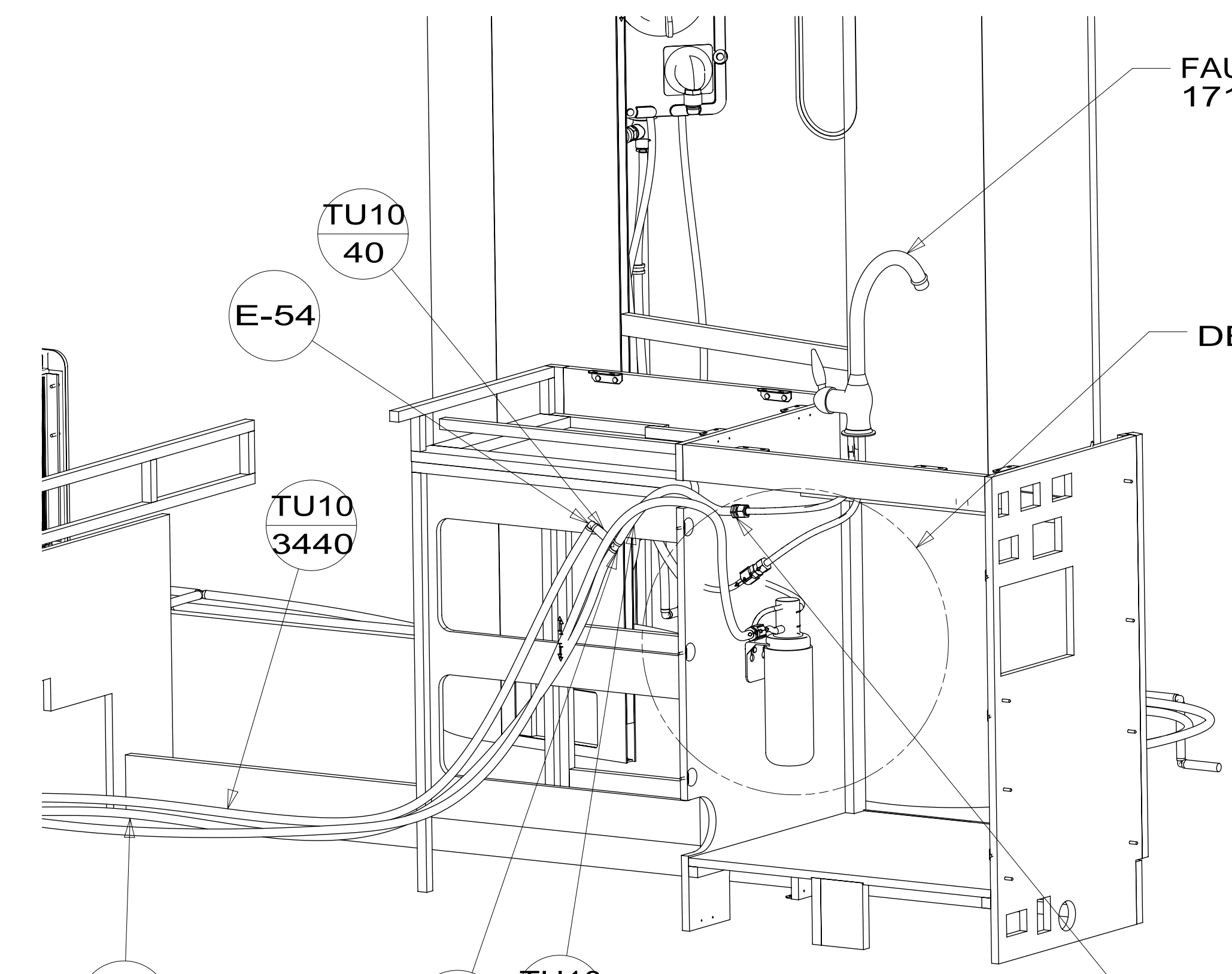
VIEW CC
CLAMP
010497-01-000 (2)
SCREW
000G39-08-12U (2)

CLAMP
010497-01-000(2)
SCREW
000G39-08-12U(2)

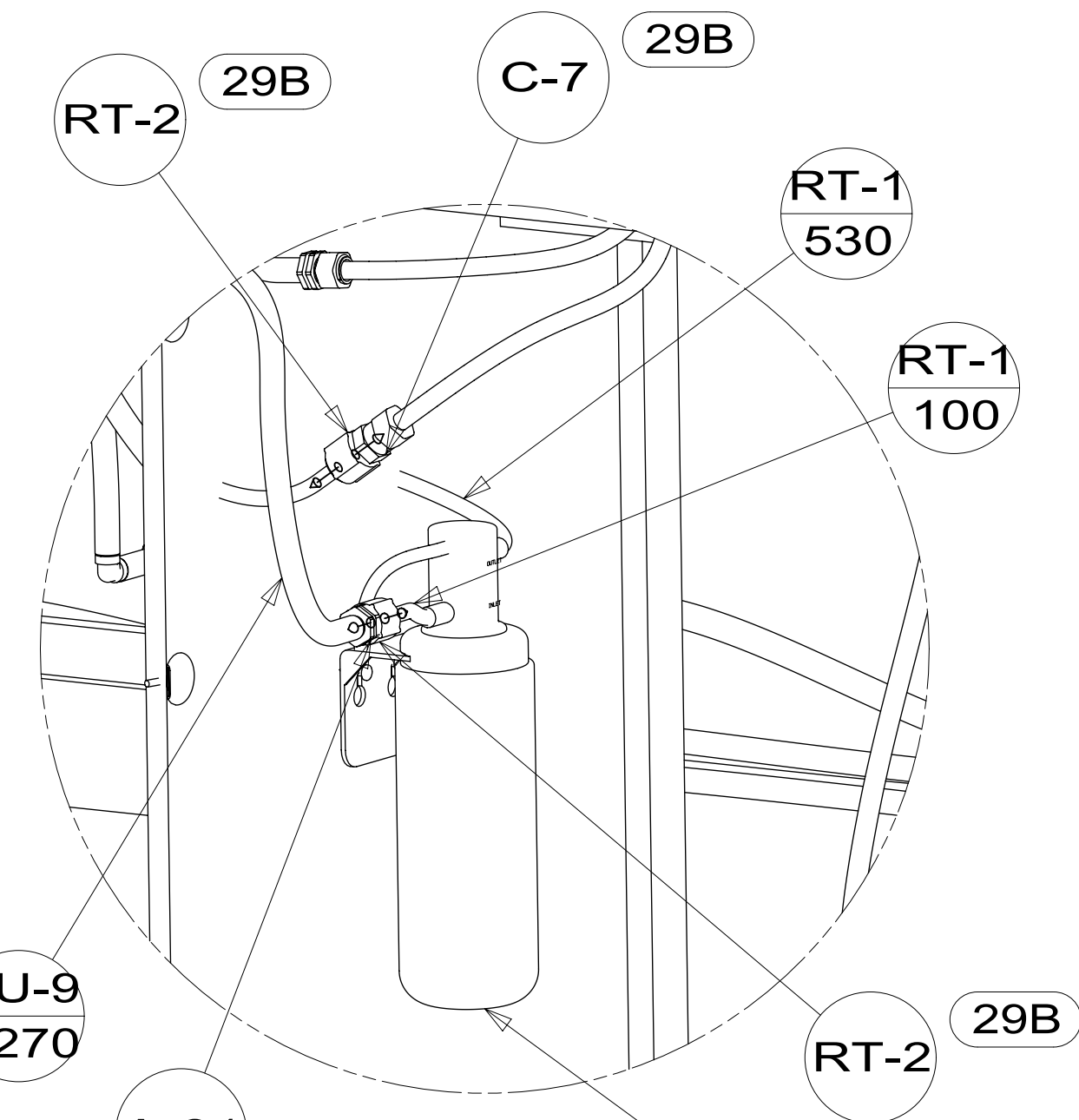
CLAMP
010497-01-000(2)
SCREW
000G39-08-12U(2)

DETAIL CB
FILTER KIT-WATER,SINK Δ 29B
160946-03-000
SCREW
000G67-10-12U(2) Δ 10

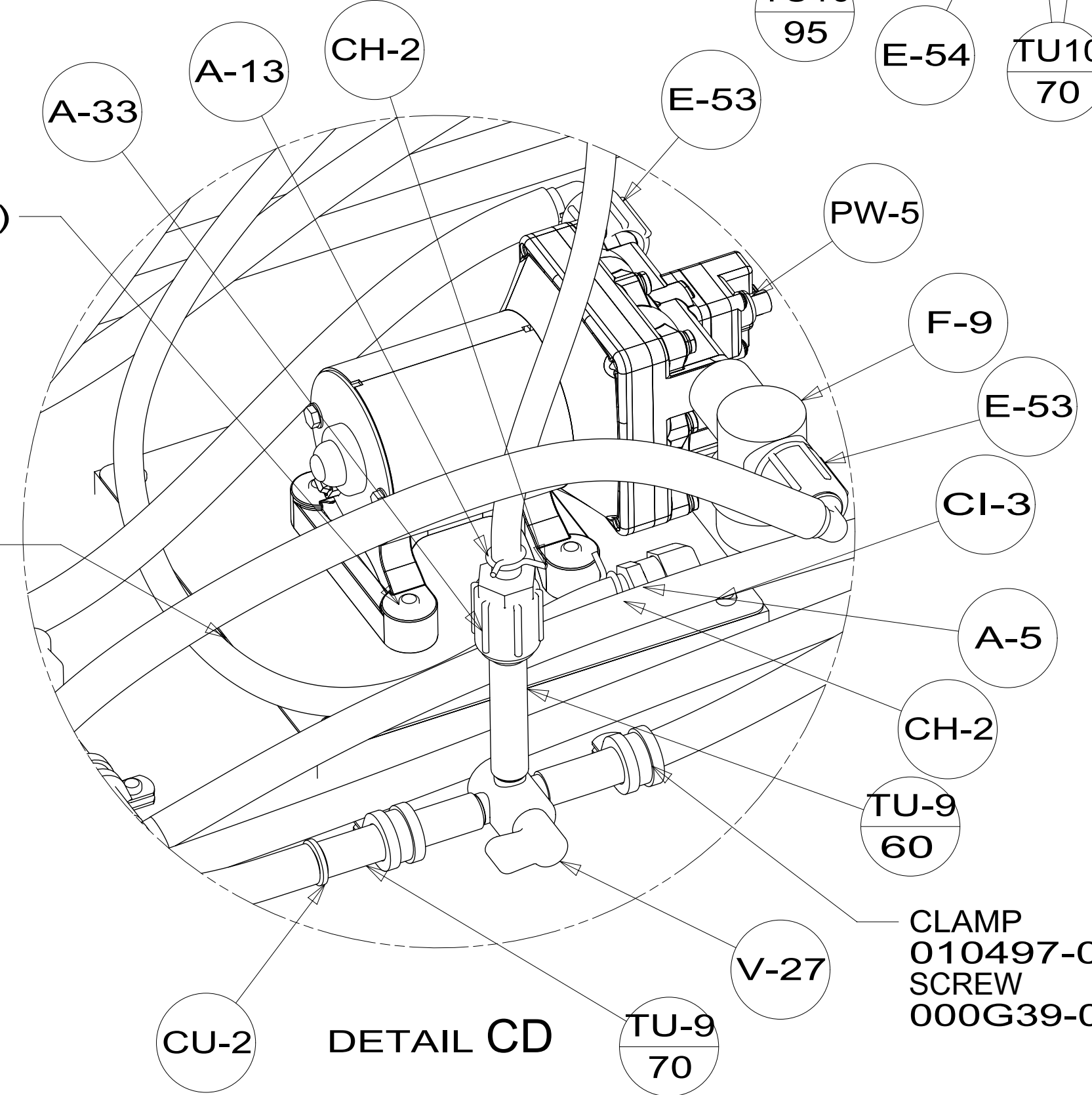
DESCRIPTION: WATER SYSTEM INSTL		
SHEET: 3 OF 4	ITEM/PART NO: 000174049 / 30089201000	REV



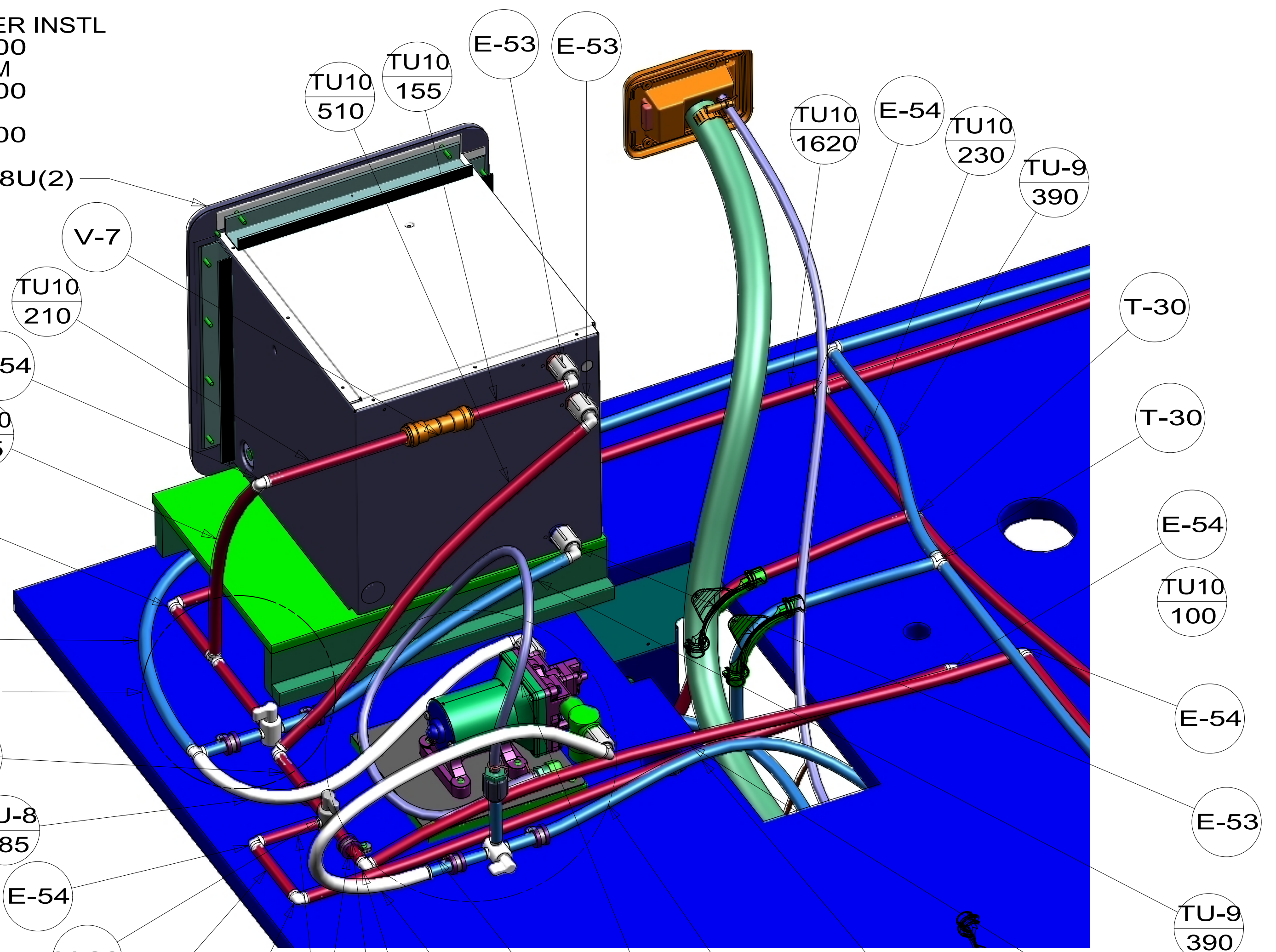
VIEW CA



DETAIL CB



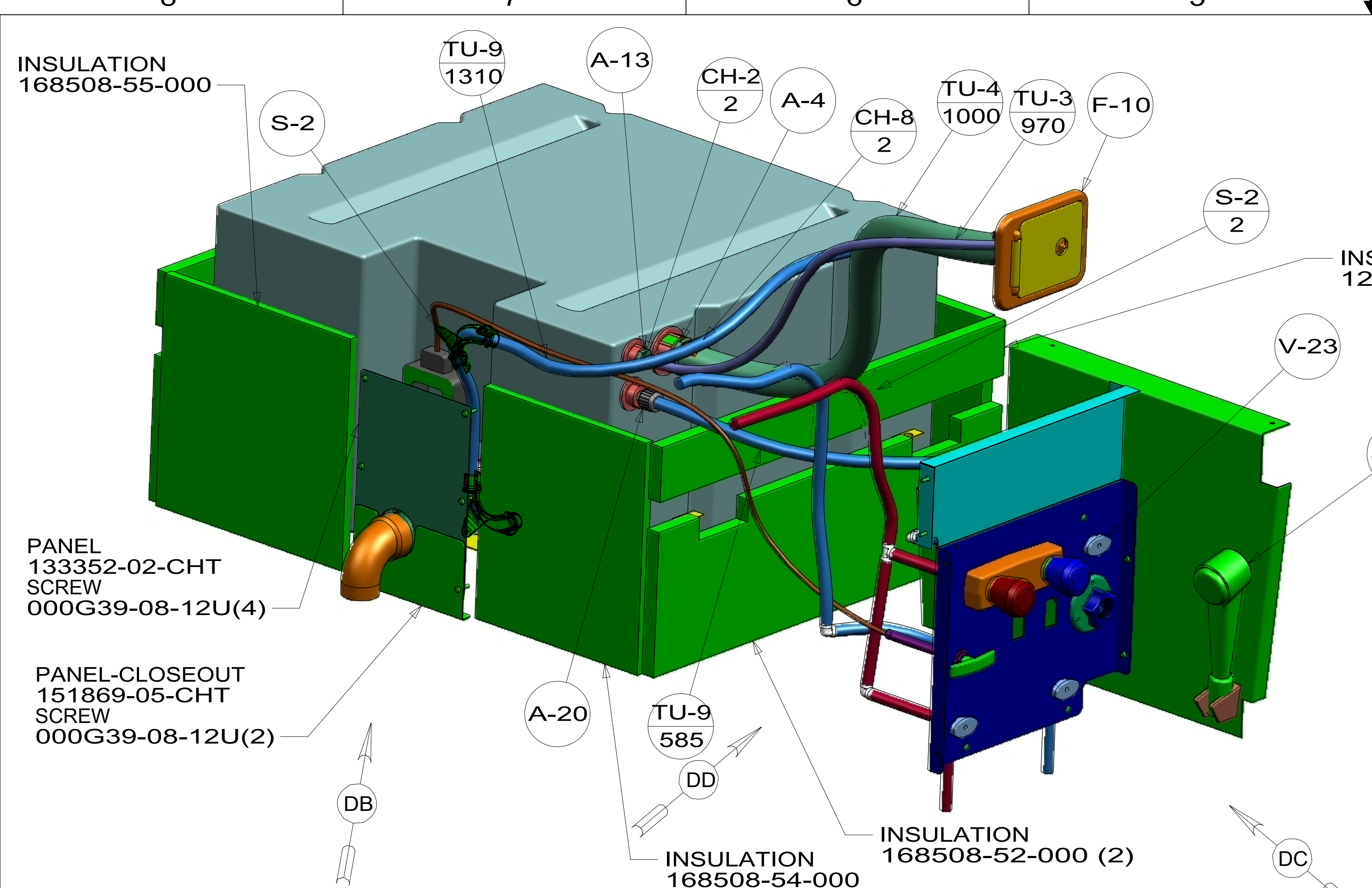
DETAIL CD



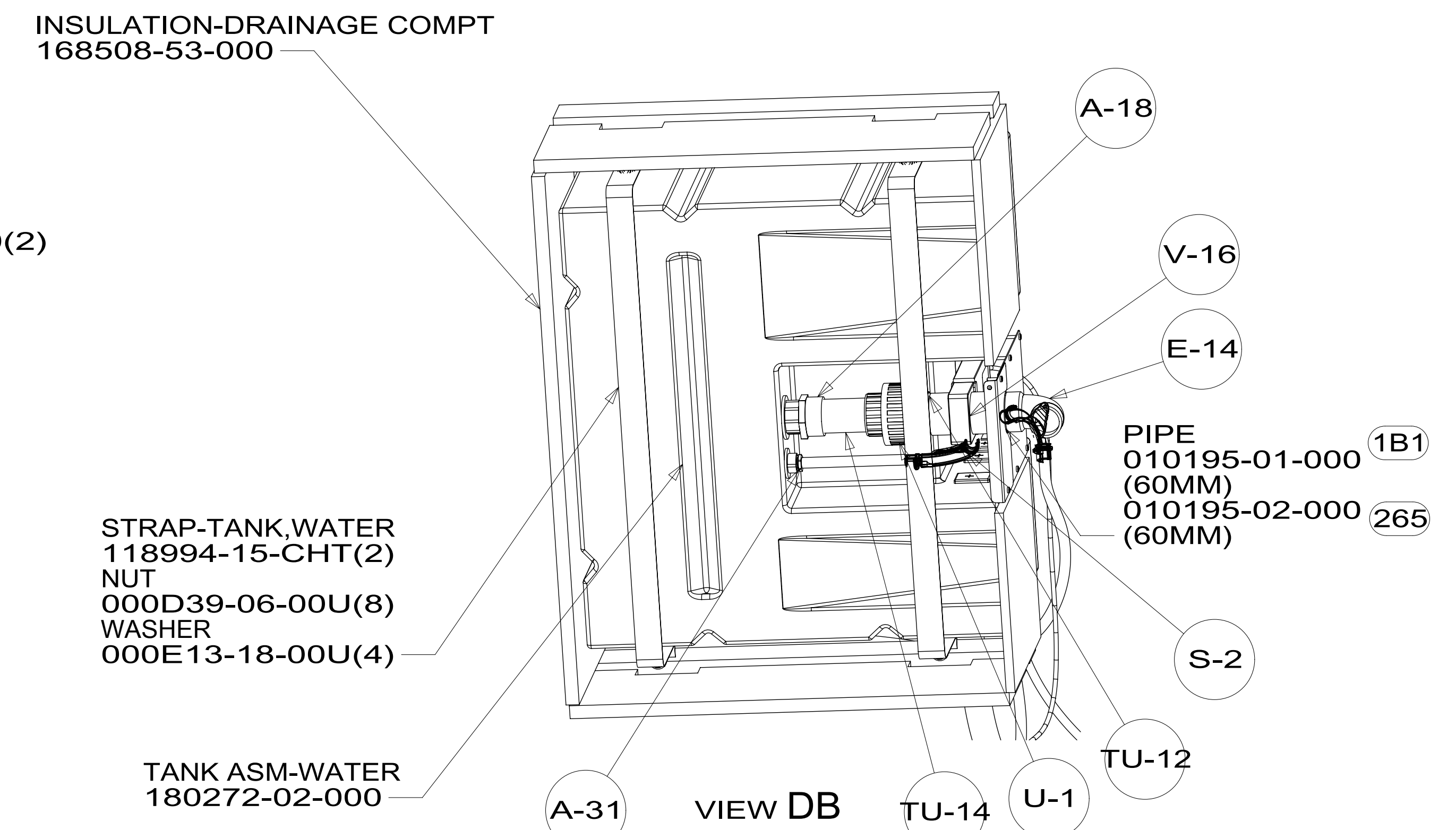
VIEW CC

DETAIL CD

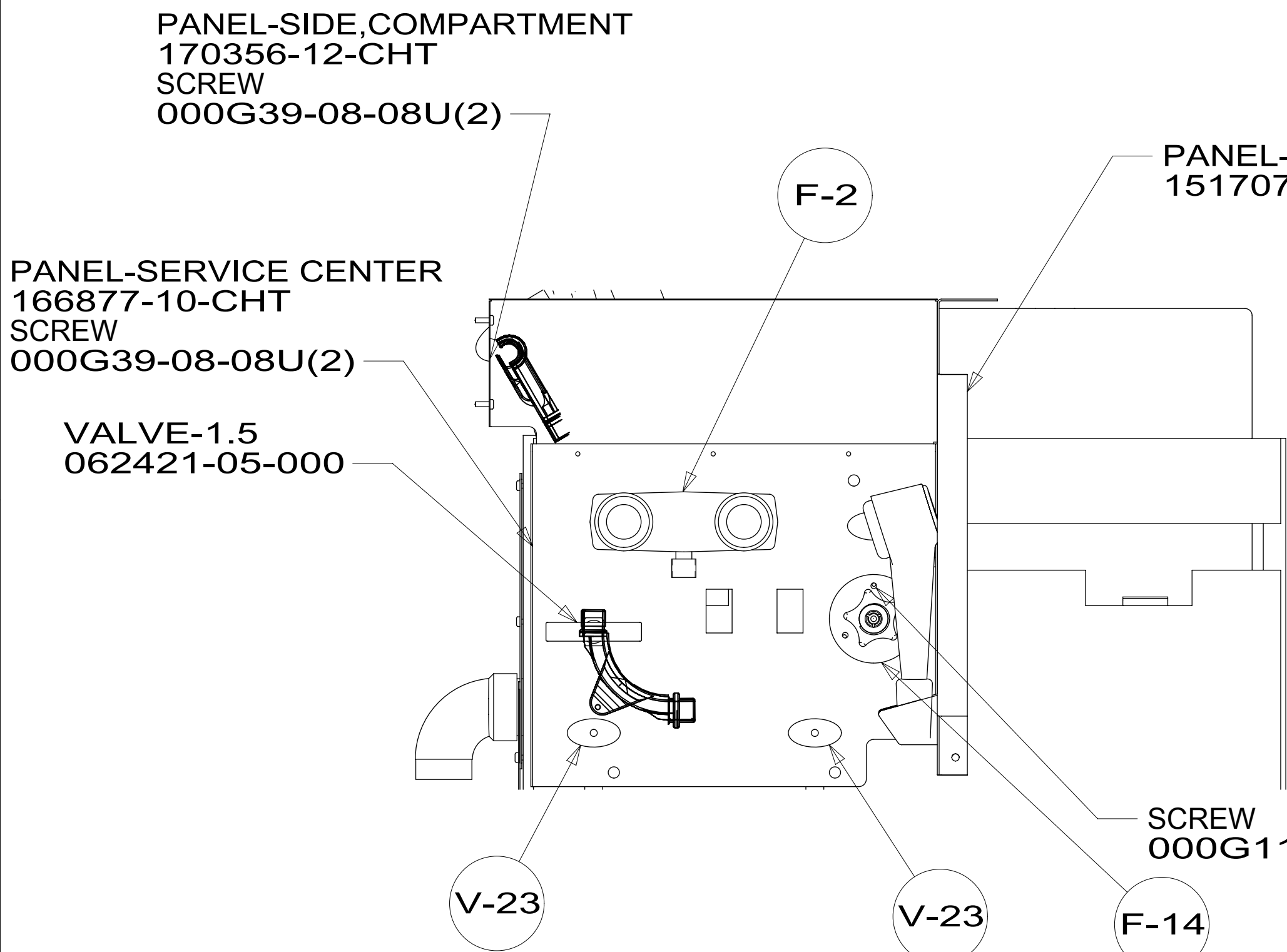
DETAIL CE



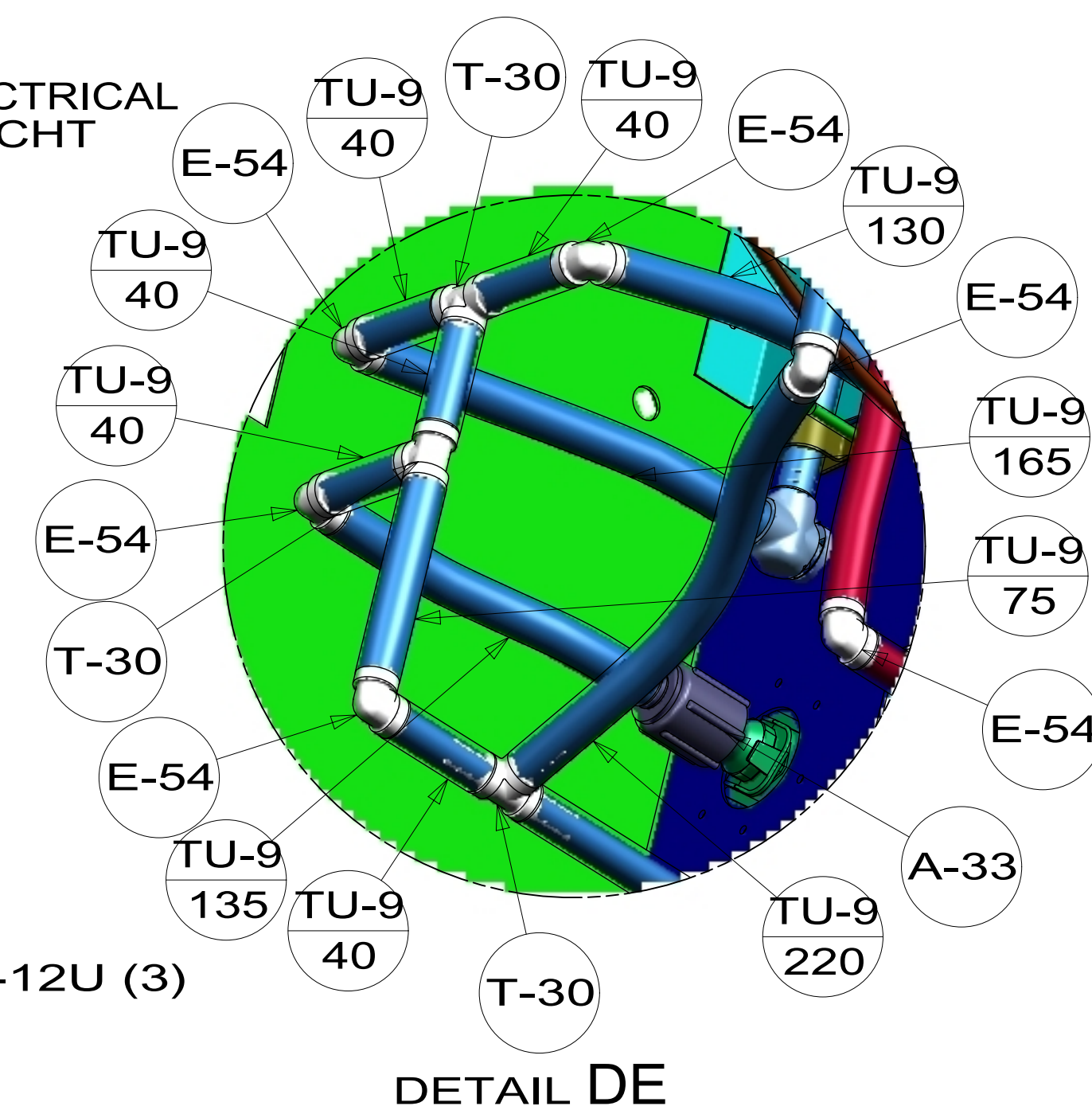
VIEW DA



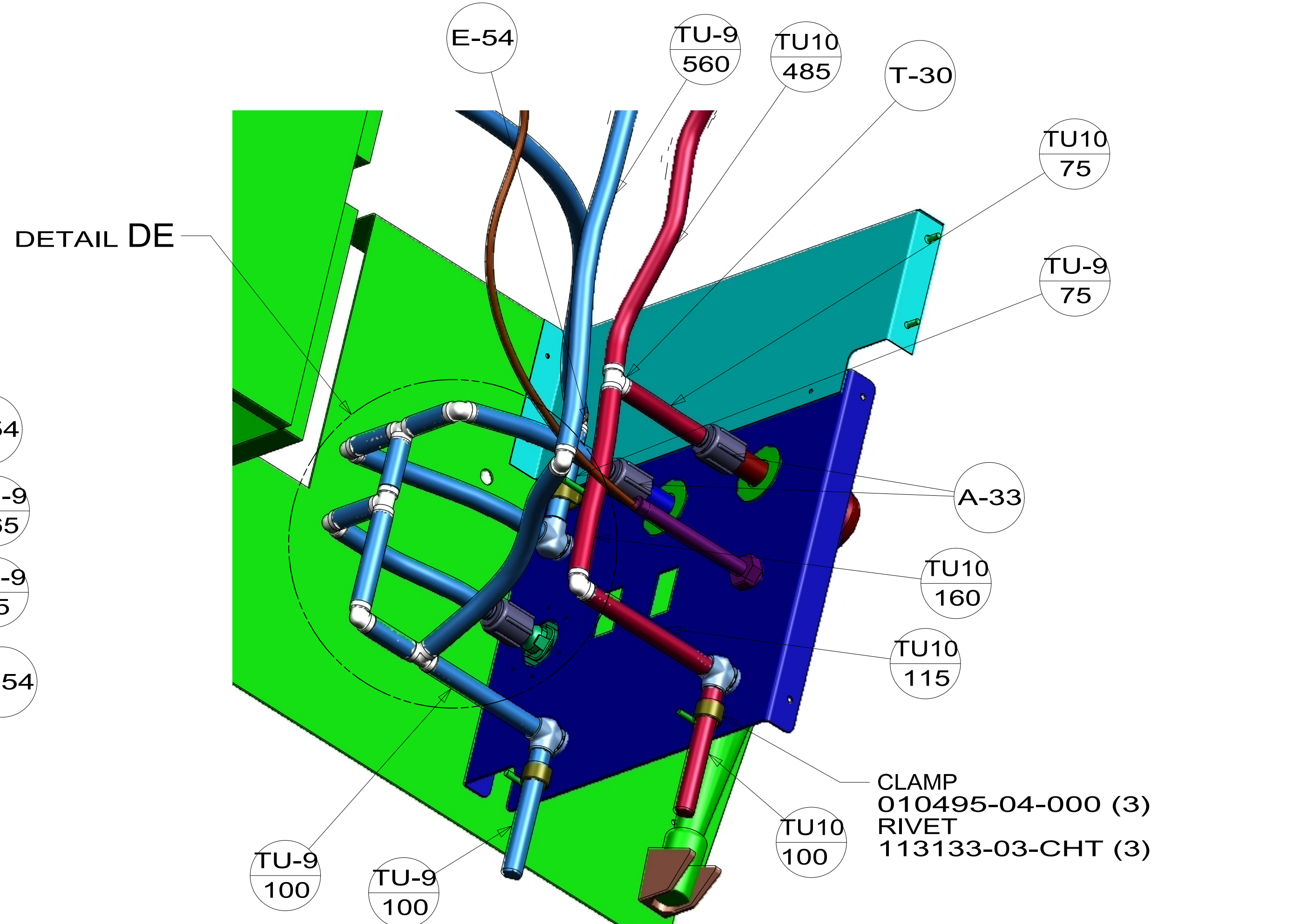
VIEW DB



VIEW DC



DETAIL DE



VIEW DD

DESCRIPTION:		
WATER SYSTEM INSTL		
SHEET:	ITEM/PART NO.:	REV
4 OF 4	000174049 / 30089201000	