

12. REQUIRES 5 GALLONS RV ANTIFREEZE 182955-01-000 PER TOILET. FOLLOW TECMA TOILET WINTERIZATION PROCEDURE.
11. GLUE FITTING AFTER CABINET IS INSTALLED.
10. APPLY PRIMER 126427-02-000 AND CEMENT 126427-01-000 BETWEEN ELBOW AND FLEX PIPE.
9. SEE DRAWING 061607 FOR INSTALLATION OF GROMMETS.
8. SECURE DRAINAGE PIPES TO CABINET USING WIRE TIE 108046-02-000, AND SCREW 000G67-10-12U AT INTERVALS OF NOT OF NOT MORE THAN 4 FEET APART.
7. SECURE VENT PIPE TO GROMMET WITH CLAMP 062401-02-000.
6. VENT PIPE MUST PROJECT 51 MIN AND 64 MAX ABOVE ROOF FOR PROPER FIT AND FUNCTION. ADD S-1 (116666-01-CHT SEAL-VENT PIPE) AROUND PIPE ON ROOF BEFORE VENT CAP IS INSTALLED.
5. SEAL AROUND SHOWER WITH SILICONE.
4. USE SMOOTH PLUMBERS PUTTY 167459-01-000 TO SEAL STRAINER (0.2 PER STRAINER).
3. ALL PIPE AND FITTINGS TO BE ASSEMBLED WITH SOLVENT 004020-01-000 (USA), 004020-02-000 (CAN)
2. SLOPE OF TRAP ARM MUST BE 6 PER 305 mm.
1. SLOPE OF HORIZONTAL PIPING TO BE MINIMUM OF 3 PER 305 mm.

- 9PC TAILGATE PACKAGE
- 9PA TAILGATE PACKAGE WITHOUT
- 1B1 CODES/STANDARDS USA
- 265 CODES/STANDARDS-CSA/CMVSS

WINNEBAGO
COPYRIGHT 2017 WINNEBAGO INDUSTRIES, INC.

UNSPECIFIED TOLERANCES:		MATERIAL:
WHOLE DIM (X)	3	
ONE-PLACE (X.X)	1.5	
TWO-PLACE (X.XX)	0.50	
ANGLE	1°	

REFER TO ES0018 FOR FASTENER TIGHTENING GUIDELINES

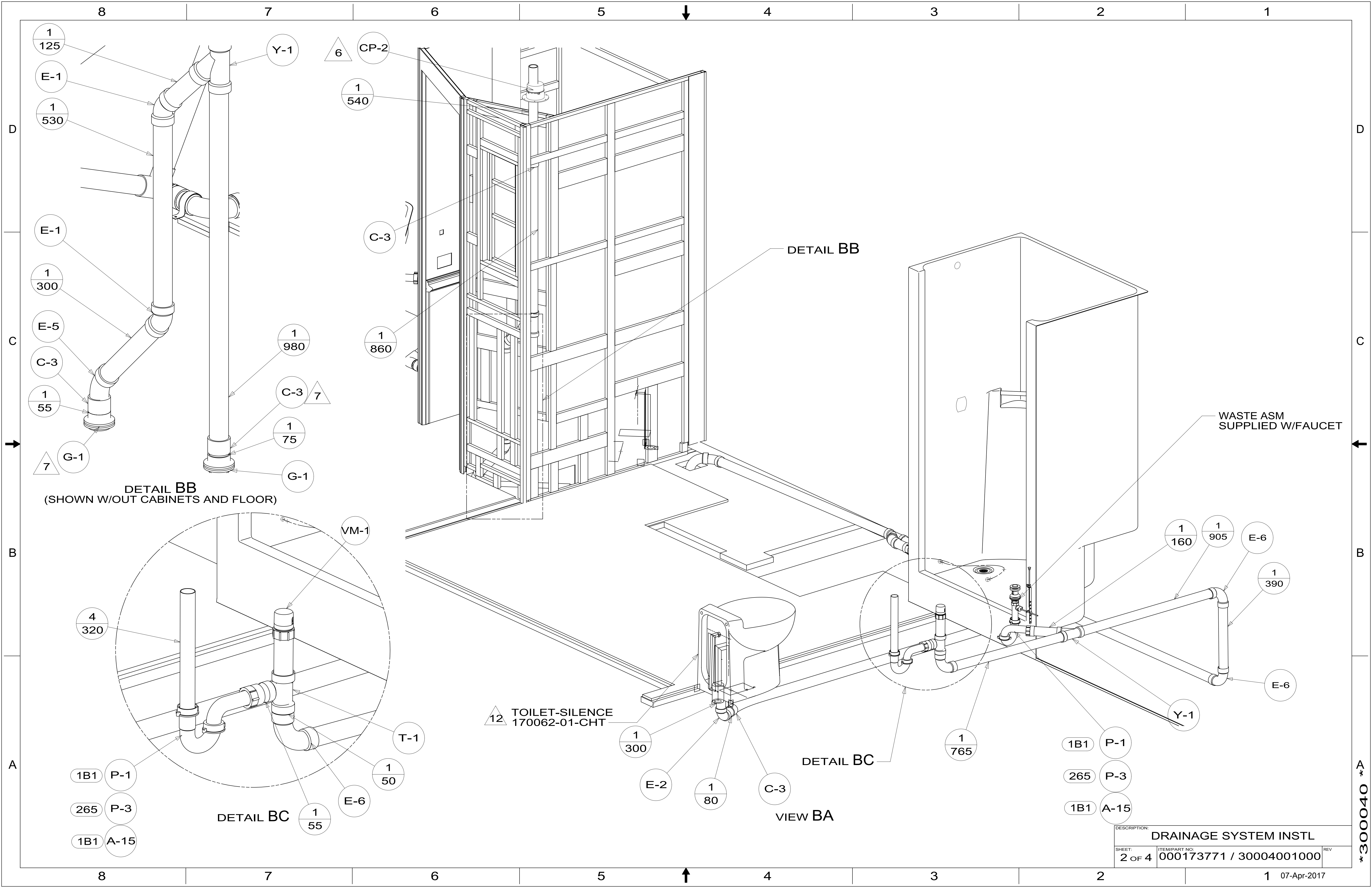
WEIGHT: (LBS) FIRST USED: (REF)
16 R42QD

DESCRIPTION:
DRAINAGE SYSTEM INSTL

SHEET:	ITEM/PART NO.:	REV:
1 OF 4	000173771 / 30004001000	

X-X
FOR
DRAINAGE
CALLOUTS
SEE DWG NO.
000211962 /
303370-01-000

300040



DETAIL BB
(SHOWN W/OUT CABINETS AND FLOOR)

DETAIL BB

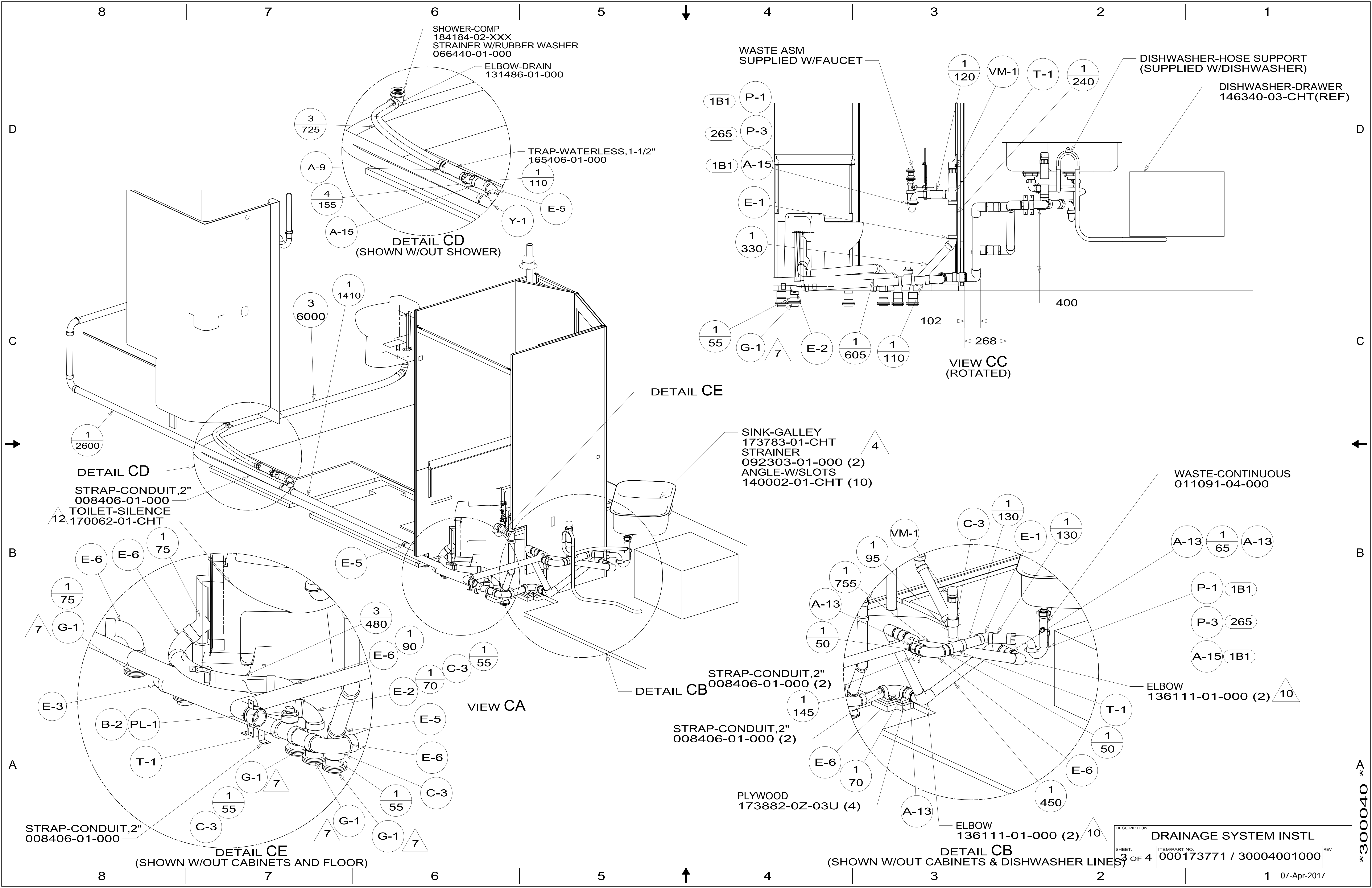
DETAIL BC

DETAIL BC

VIEW BA

DESCRIPTION: DRAINAGE SYSTEM INSTL		
SHEET: 2 OF 4	ITEM/PART NO.: 000173771 / 30004001000	REV: 07-Apr-2017

*300040



SHOWER-COMP
184184-02-XXX
STRAINER W/RUBBER WASHER
066440-01-000

ELBOW-DRAIN
131486-01-000

TRAP-WATERLESS, 1-1/2"
165406-01-000

DETAIL CD
(SHOWN W/OUT SHOWER)

WASTE ASM
SUPPLIED W/FAUCET

DISHWASHER-HOSE SUPPORT
(SUPPLIED W/DISHWASHER)

DISHWASHER-DRAWER
146340-03-CHT(REF)

VIEW CC
(ROTATED)

DETAIL CE

SINK-GALLEY
173783-01-CHT
STRAINER
092303-01-000 (2)
ANGLE-W/SLOTS
140002-01-CHT (10)

WASTE-CONTINUOUS
011091-04-000

VIEW CA

DETAIL CB

STRAP-CONDUIT, 2"
008406-01-000 (2)

STRAP-CONDUIT, 2"
008406-01-000 (2)

PLYWOOD
173882-OZ-03U (4)

ELBOW
136111-01-000 (2)

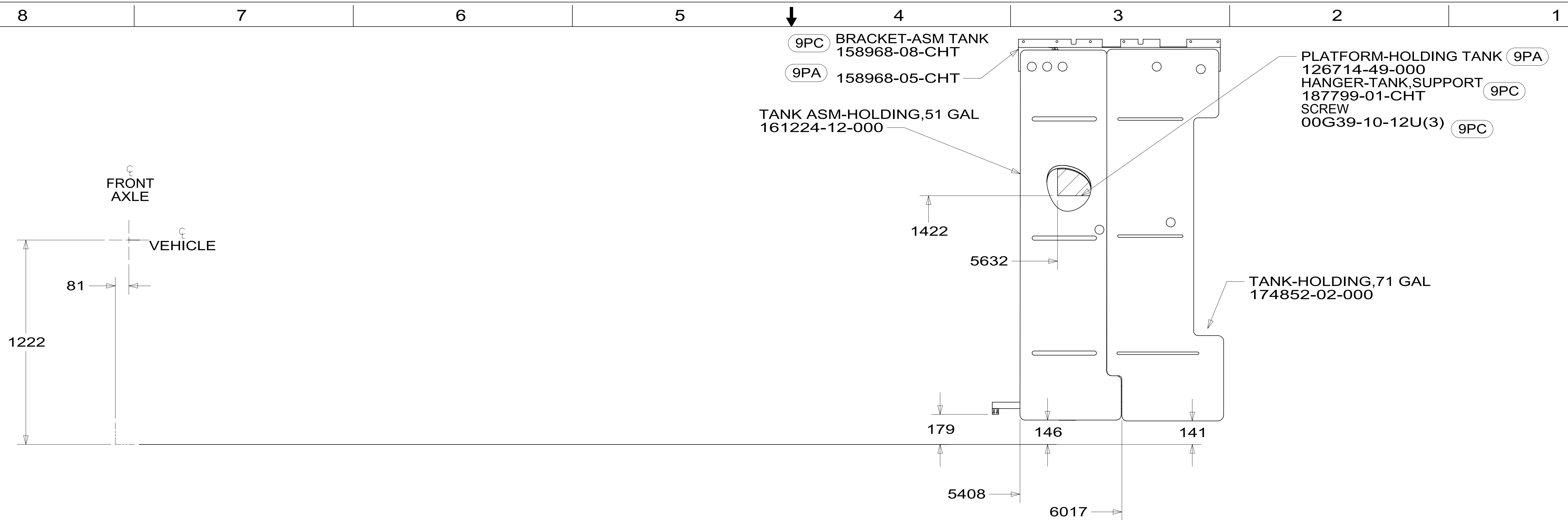
DETAIL CB
(SHOWN W/OUT CABINETS & DISHWASHER LINES)

STRAP-CONDUIT, 2"
008406-01-000

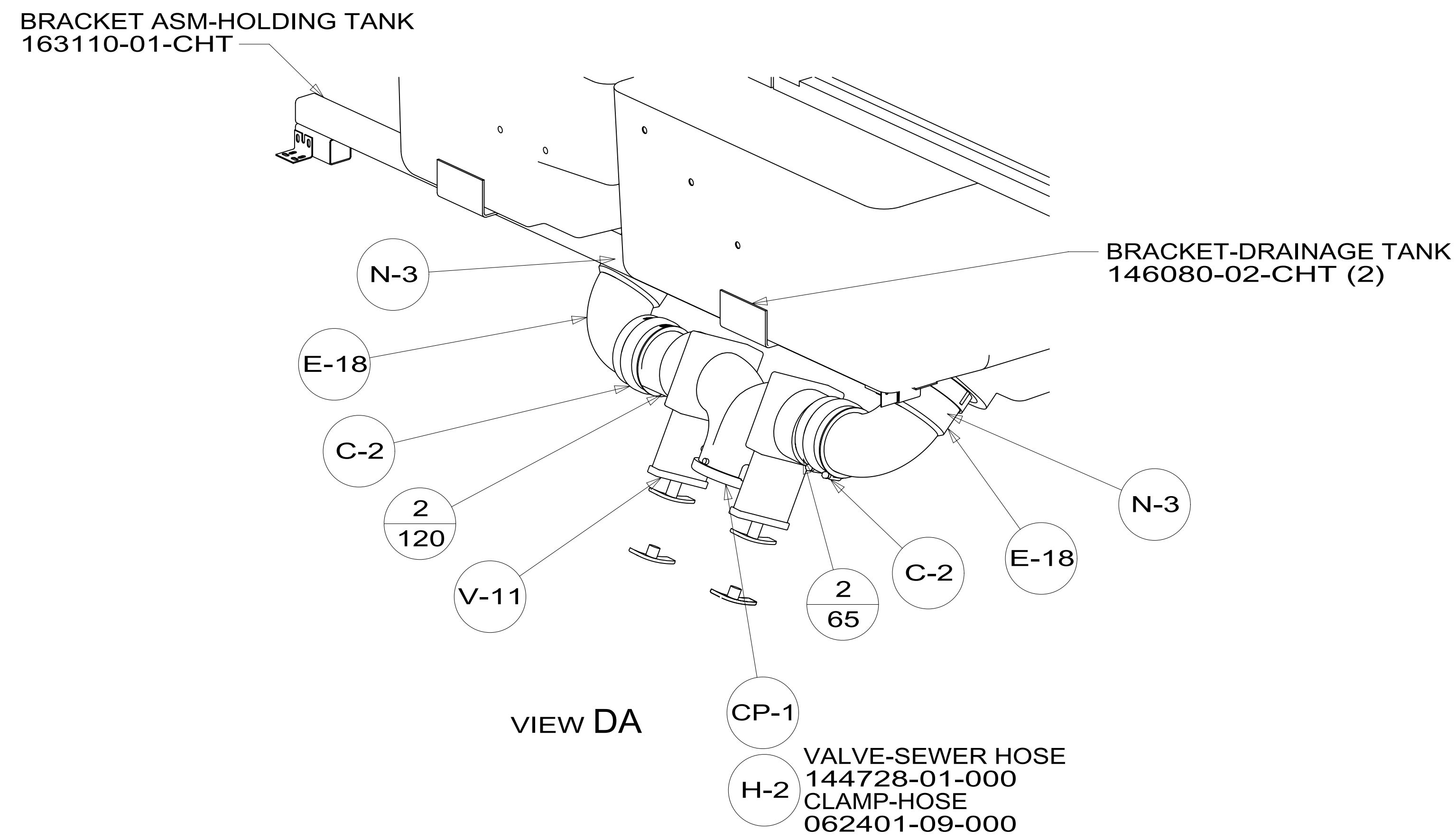
DETAIL CE
(SHOWN W/OUT CABINETS AND FLOOR)

DESCRIPTION:		DRAINAGE SYSTEM INSTL	
SHEET:	ITEM/PART NO.:	REV	
3 OF 4	000173771 / 30004001000		

*300040



TOP VIEW SHOWING TANKS AND DRAINS



DESCRIPTION: DRAINAGE SYSTEM INSTL		
SHEET: 4 OF 4	ITEM/PART NO: 000173771 / 30004001000	REV
1 07-Apr-2017		

*300040