

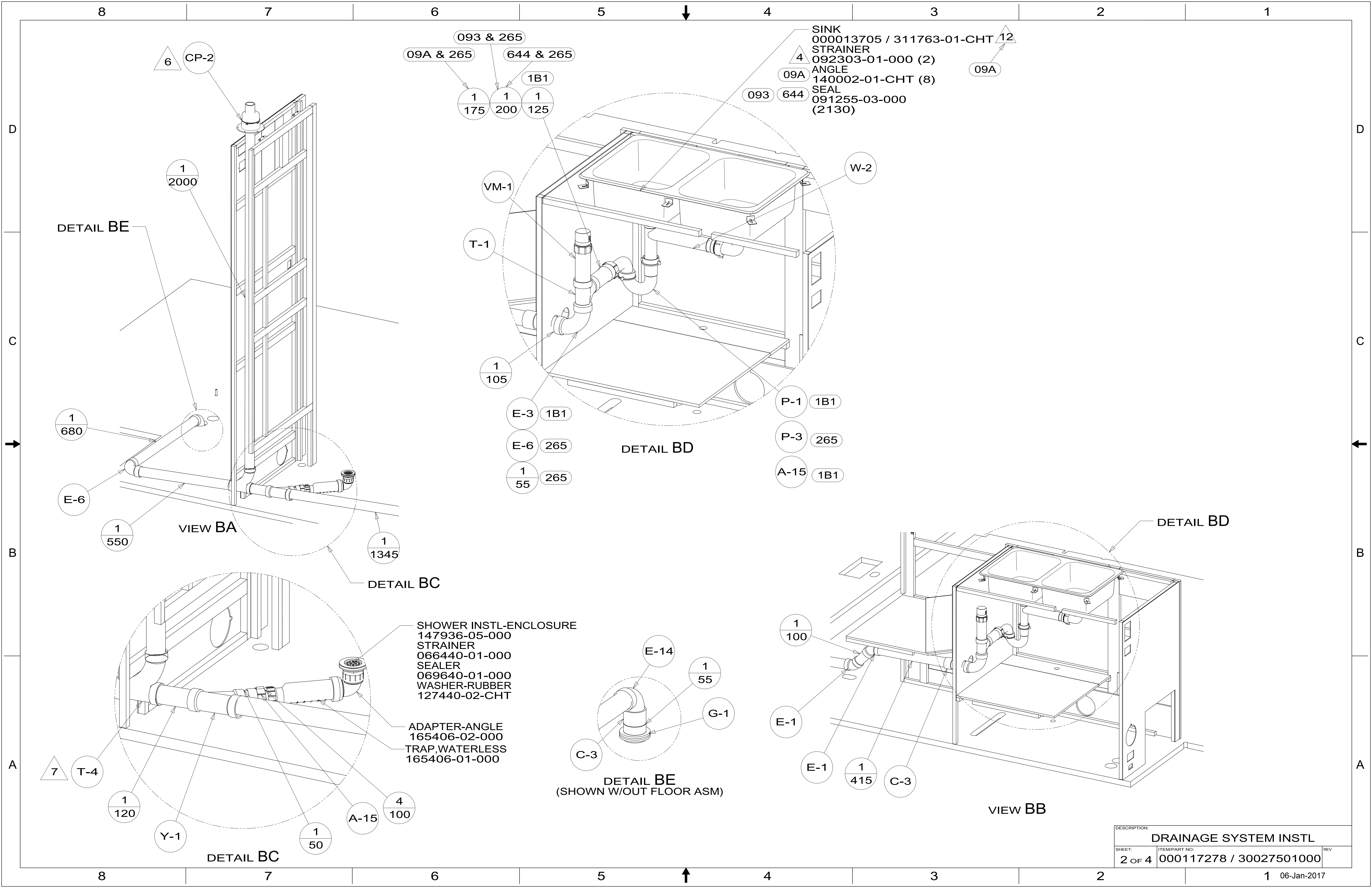
- 12. APPLY 1/4" BEAD OF SILICONE (131264-05-CHT) TO FLANGE BEFORE INSTALLATION AND THEN CAP SEAL SINK/CORIAN COUNTER TOP WITH SILICONE (131264-05-CHT).
- 11. PREP THE SURFACE PER MANUFACTURERS INSTRUCTIONS BEFORE APPLYING THE HEATING PAD.
- 10. SEE WIRING INSTL-BODY FOR ELECTRICAL CONNECTION.
- 9. SEE DRAWING 061607 FOR INSTALLATION OF GROMMETS.
- 8. SECURE DRAINAGE PIPES TO CABINET USING WIRE TIE 108046-02-000, AND SCREW 000G67-10-12U AT INTERVALS OF NO MORE THAN 4 FEET APART.
- 7. SECURE VENT PIPE TO FLOOR WITH CLAMP 062401-02-000 (2), SCREW 000G67-10-12U (2), BRACKET 136878-01-CHT (2).
- 6. VENT PIPE MUST PROJECT 51 MIN AND 64 MAX ABOVE ROOF FOR PROPER FIT AND FUNCTION. ADD S-1 (116666-01-CHT SEAL-VENT PIPE) AROUND PIPE ON ROOF BEFORE VENT CAP IS INSTALLED.
- 5. SEAL AROUND SHOWER WITH SILICONE.
- 4. USE SMOOTH PLUMBERS PUTTY 167459-01-000 TO SEAL STRAINER (0.2 PER STRAINER).
- 3. ALL PIPE AND FITTINGS TO BE ASSEMBLED WITH SOLVENT 004020-01-000 (USA), 004020-02-000 (CAN)
- 2. SLOPE OF TRAP ARM MUST BE 6 PER 305 mm.
- 1. SLOPE OF HORIZONTAL PIPING TO BE MINIMUM OF 3 PER 305 mm.

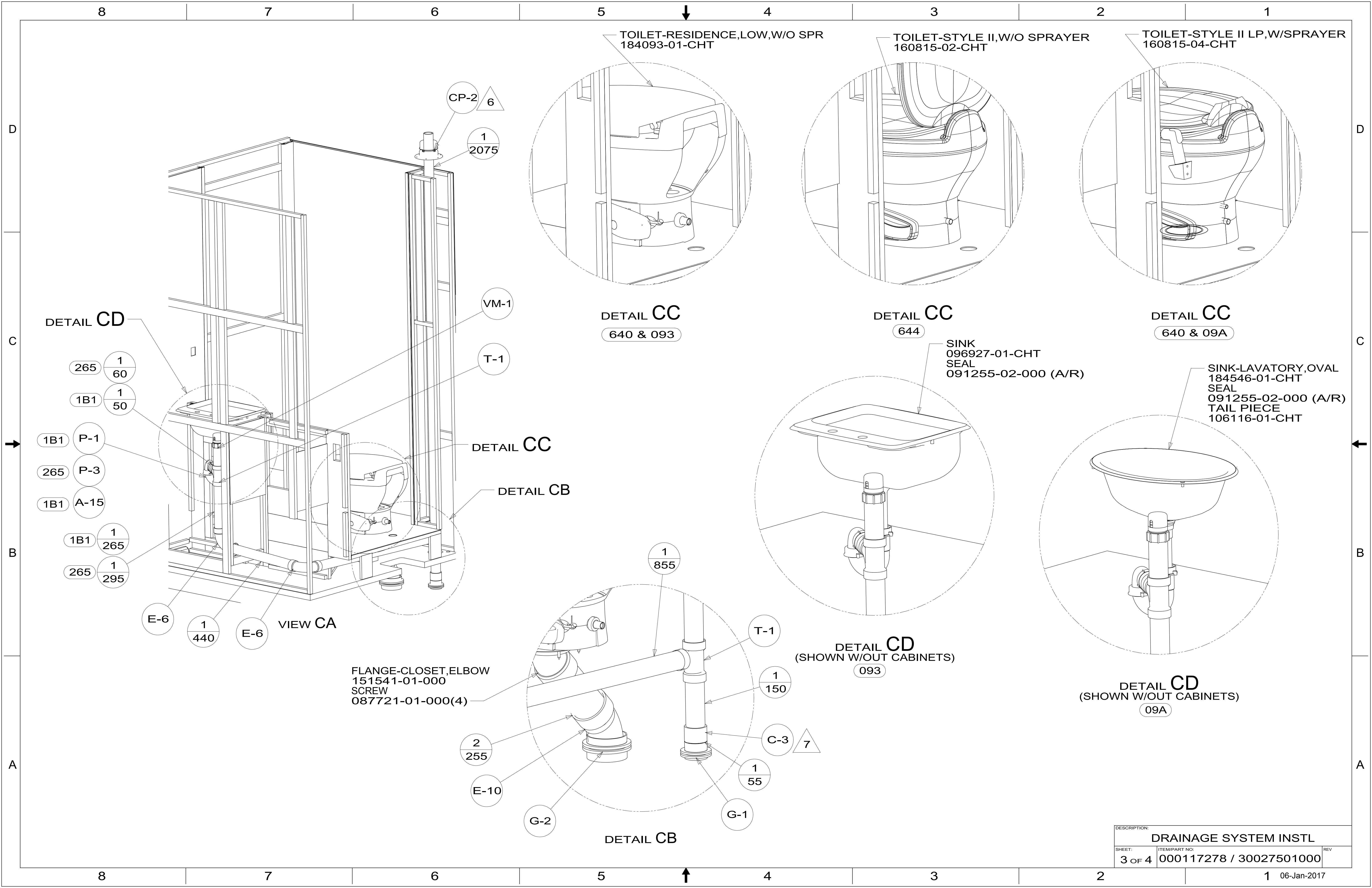
NOTES:

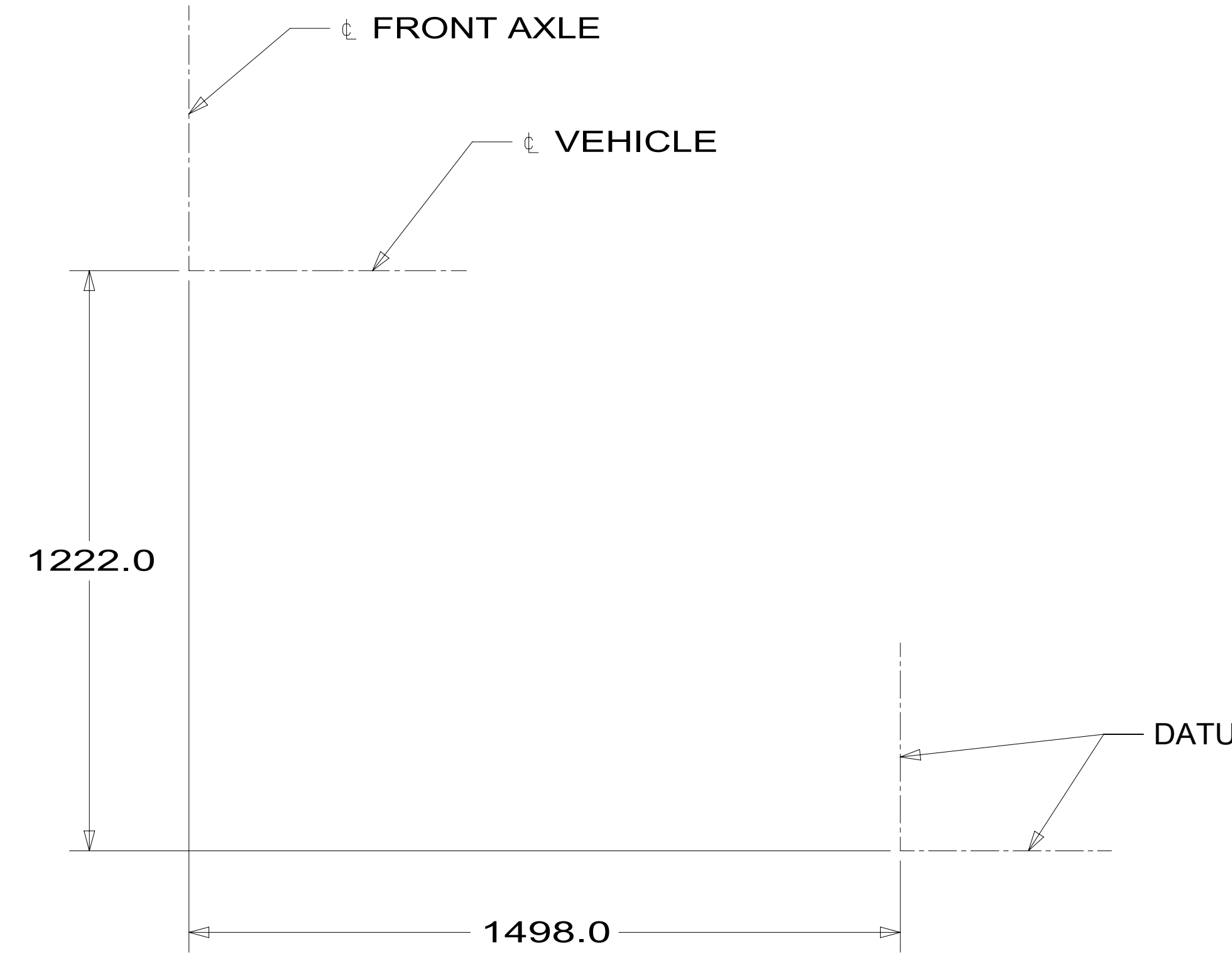
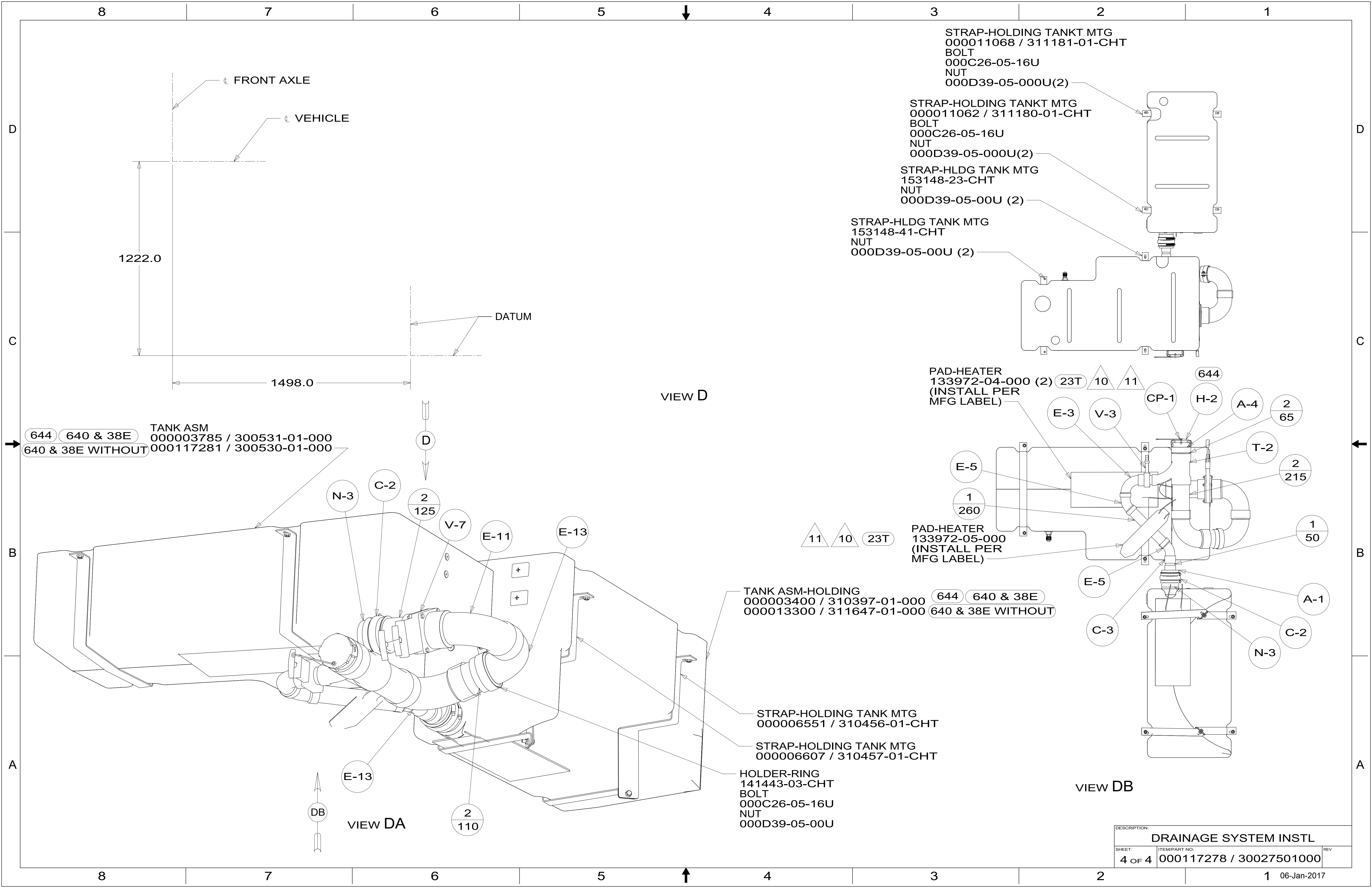
- 09A PREMIUM PACKAGE
- 093 PREMIUM PACKAGE WITHOUT
- 38E CONVENIENCE PACKAGE
- 640 RENTAL - GAH WITHOUT
- 644 GREAT ALASKAN RENTAL PACKAGE
- 265 CODES/STANDARDS-CSA/CMVSS
- 23T DRAINAGE SYSTEM-HEATED
- 1B1 CODES/STANDARDS USA

X-X
FOR
DRAINAGE
CALLOUTS
SEE DWG NO.
000211962 /
303370-01-000

WINNEBAGO [®]		COPYRIGHT 2016 WINNEBAGO INDUSTRIES, INC.	
DSNR:		ALL DIMENSIONS ARE IN MILLIMETERS	⊕
DIFTR:		MATERIAL:	
UNSPECIFIED TOLERANCES:			
WHOLE DIM (X) :	3		
ONE-PLACE (X.X) :	1.5		
TWO-PLACE (X.XX) :	0.50		
ANGLE :	1°		
REFER TO ES0018 FOR FASTENER TIGHTENING GUIDELINES		WEIGHT: (LBS)	FIRST USED: (REF)
			17 326A
DESCRIPTION:			
DRAINAGE SYSTEM INSTL			
SHEET:	ITEM/PART NO.:	REV:	
1 OF 4	000117278 / 30027501000		
REF: 1 06-Jan-2017			

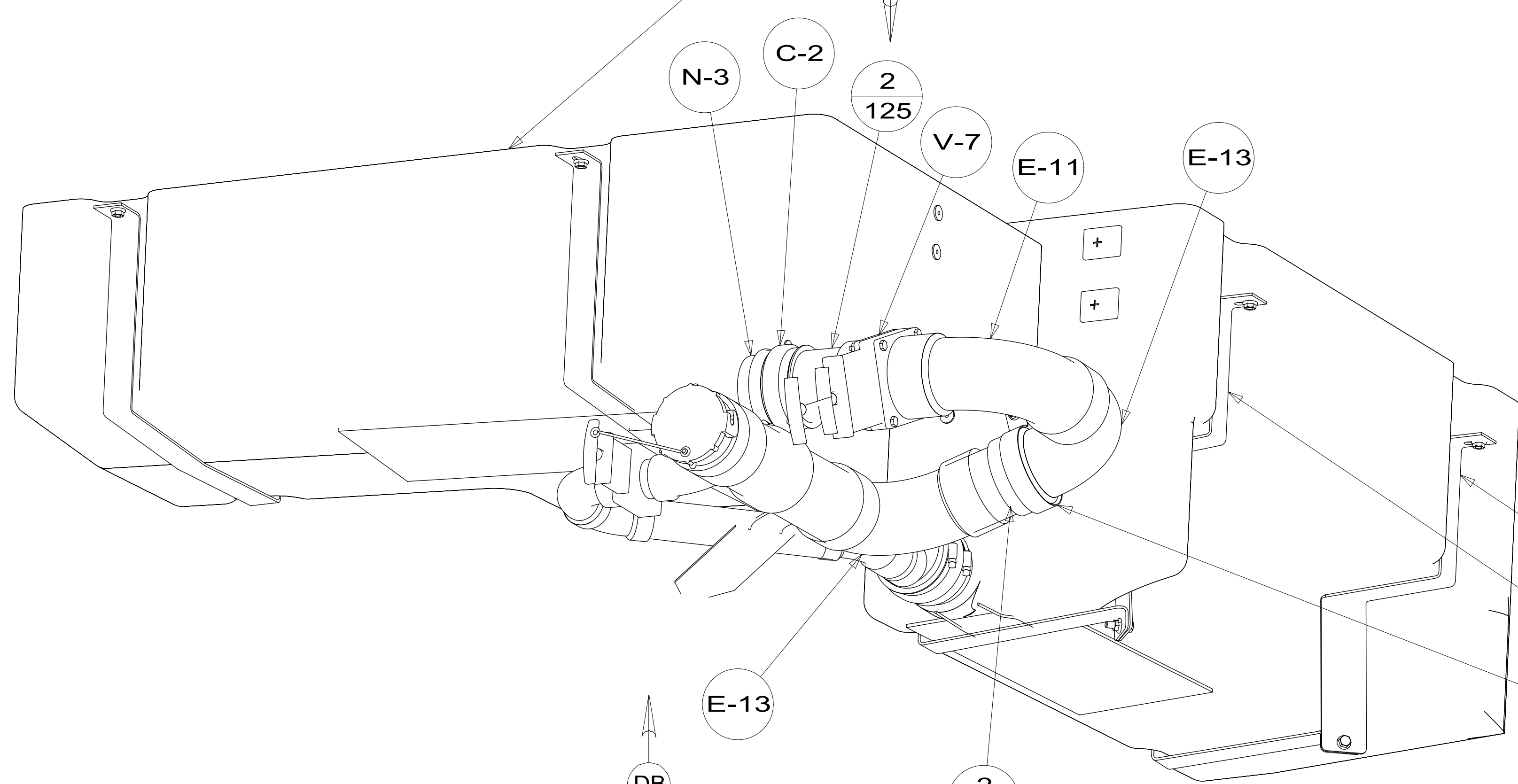






VIEW D

644 640 & 38E TANK ASM
 000003785 / 300531-01-000
 640 & 38E WITHOUT 000117281 / 300530-01-000



VIEW DA

STRAP-HOLDING TANKT MTG
 000011068 / 311181-01-CHT
 BOLT
 000C26-05-16U
 NUT
 000D39-05-000U(2)

STRAP-HOLDING TANKT MTG
 000011062 / 311180-01-CHT
 BOLT
 000C26-05-16U
 NUT
 000D39-05-000U(2)

STRAP-HLDG TANK MTG
 153148-23-CHT
 NUT
 000D39-05-00U (2)

STRAP-HLDG TANK MTG
 153148-41-CHT
 NUT
 000D39-05-00U (2)

PAD-HEATER
 133972-04-000 (2) 23T
 (INSTALL PER
 MFG LABEL)

PAD-HEATER
 133972-05-000
 (INSTALL PER
 MFG LABEL)

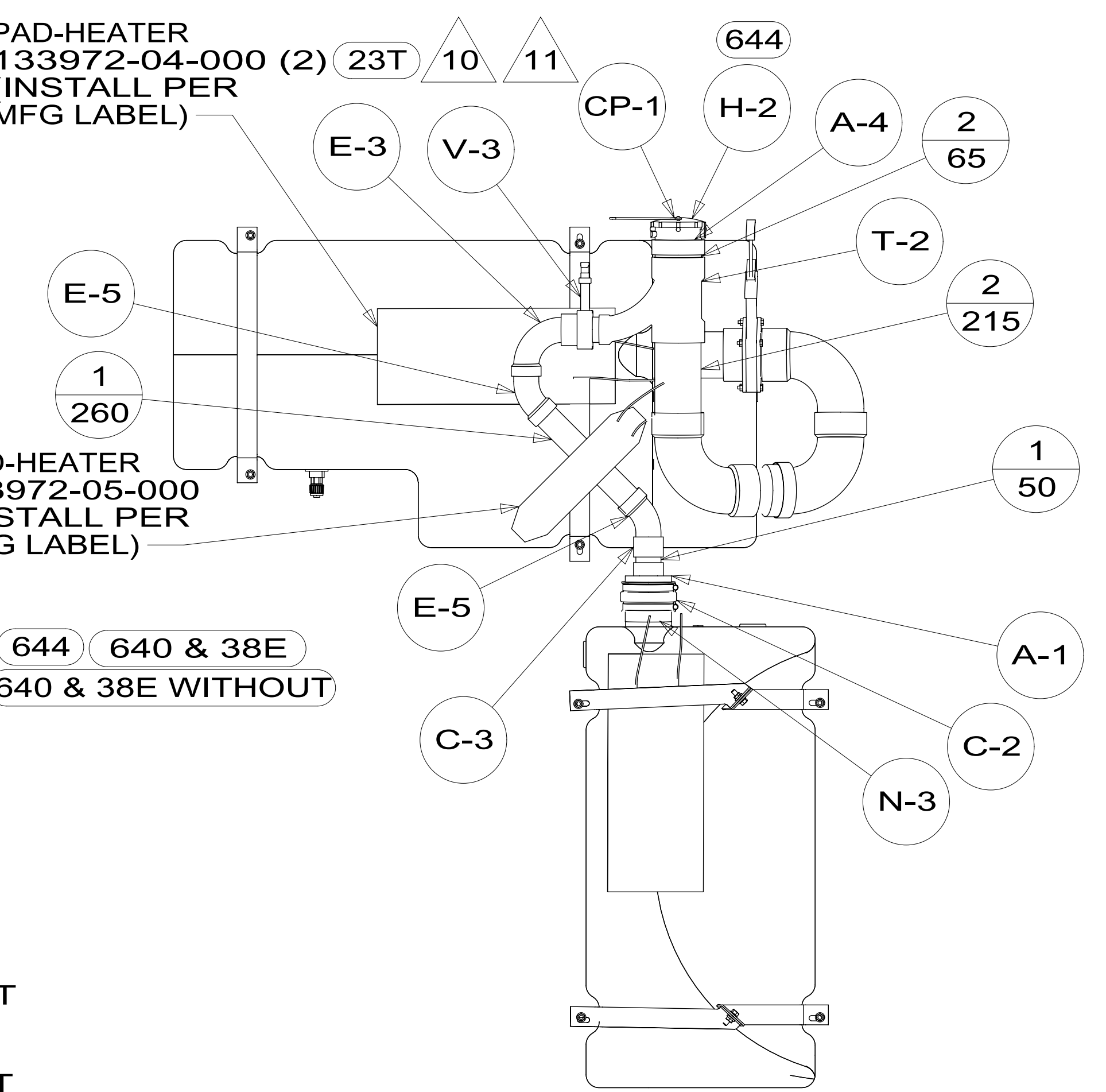
TANK ASM-HOLDING
 000003400 / 310397-01-000 644 640 & 38E
 000013300 / 311647-01-000 640 & 38E WITHOUT

STRAP-HOLDING TANK MTG
 000006551 / 310456-01-CHT

STRAP-HOLDING TANK MTG
 000006607 / 310457-01-CHT

HOLDER-RING
 141443-03-CHT
 BOLT
 000C26-05-16U
 NUT
 000D39-05-00U

VIEW DB



DESCRIPTION: DRAINAGE SYSTEM INSTL		
SHEET: 4 OF 4	ITEM/PART NO: 000117278 / 30027501000	REV