

- 12. REPLACE SUPPLIED STUD AND WINGNUT WITH FASTENER AND INSTALL WITH SUPPLIED RETAINING ANGLE.
- 11. PREP THE SURFACE PER MANUFACTURERS INSTRUCTIONS BEFORE APPLYING THE HEATING PAD.
- 10. SEE WIRING INSTL-BODY FOR ELECTRICAL CONNECTION.
- 9. SEE DRAWING 061607 FOR INSTALLATION OF GROMMETS.
- 8. SECURE DRAINAGE PIPES TO CABINET USING WIRE TIE 108046-02-000, AND SCREW 000G67-10-12U AT INTERVALS OF NOT OF NOT MORE THAN 4 FEET APART.
- 7. SECURE VENT PIPE TO FLOOR WITH CLAMP 062401-02-000 (2), SCREW 000G67-10-12U (2), BRACKET 136878-01-CHT (2).
- 6. VENT PIPE MUST PROJECT 51 MIN AND 64 MAX ABOVE ROOF FOR PROPER FIT AND FUNCTION. ADD S-1 (116666-01-CHT SEAL-VENT PIPE) AROUND PIPE ON ROOF BEFORE VENT CAP IS INSTALLED.
- 5. SEAL AROUND SHOWER WITH SILICONE.
- 4. USE SMOOTH PLUMBERS PUTTY 167459-01-000 TO SEAL STRAINER (0.2 PER STRAINER).
- 3. ALL PIPE AND FITTINGS TO BE ASSEMBLED WITH SOLVENT 004020-01-000 (USA), 004020-02-000 (CAN)
- 2. SLOPE OF TRAP ARM MUST BE 6 PER 305 mm.
- 1. SLOPE OF HORIZONTAL PIPING TO BE MINIMUM OF 3 PER 305 mm.

23T DRAINAGE SYSTEM-HEATED  
 265 CODES/STANDARDS-CSA/CMVSS  
 1B1 CODES/STANDARDS USA

**WINNEBAGO**  
 COPYRIGHT 2017 WINNEBAGO INDUSTRIES, INC.

DSNR:		ALL DIMENSIONS ARE IN MILLIMETERS	
DIFTR:			
UNSPECIFIED TOLERANCES:	MATERIAL:		
WHOLE DIM (X) :	3		
ONE-PLACE (X.X) :	1.5		
TWO-PLACE (X.XX) :	0.50		
ANGLE :	1°		
REFER TO ES0018 FOR FASTENER TIGHTENING GUIDELINES	WEIGHT: (LBS)	FIRST USED: (REF)	
		<b>17 524G</b>	
<b>DESCRIPTION:</b>			
<b>DRAINAGE SYSTEM INSTL</b>			
SHEET:	ITEM/PART NO.:	REV:	
<b>1 OF 4</b>	<b>000040264 / 31944001000</b>		
REF:		1 05-Sep-2017	

X-X  
 FOR DRAINAGE CALLOUTS  
 SEE DWG NO.  
 000211962 /  
 303370-01-000

NOTES:

8 7 6 5 4 3 2 1

D  
C  
B  
A

D  
C  
B  
A

SINK-GALLEY  
00013705 / 311763-01-CHT  
SCREW-METRIC  
OMG02U-04-030 (6)  $\triangle$ 12  
SCREW-PFH  
000G13-07-12U (6)  
STRAINER-SINK  
092303-01-000 (2)  $\triangle$ 4  
SEAL  
091255-03-000  
(2130)

DETAIL BB

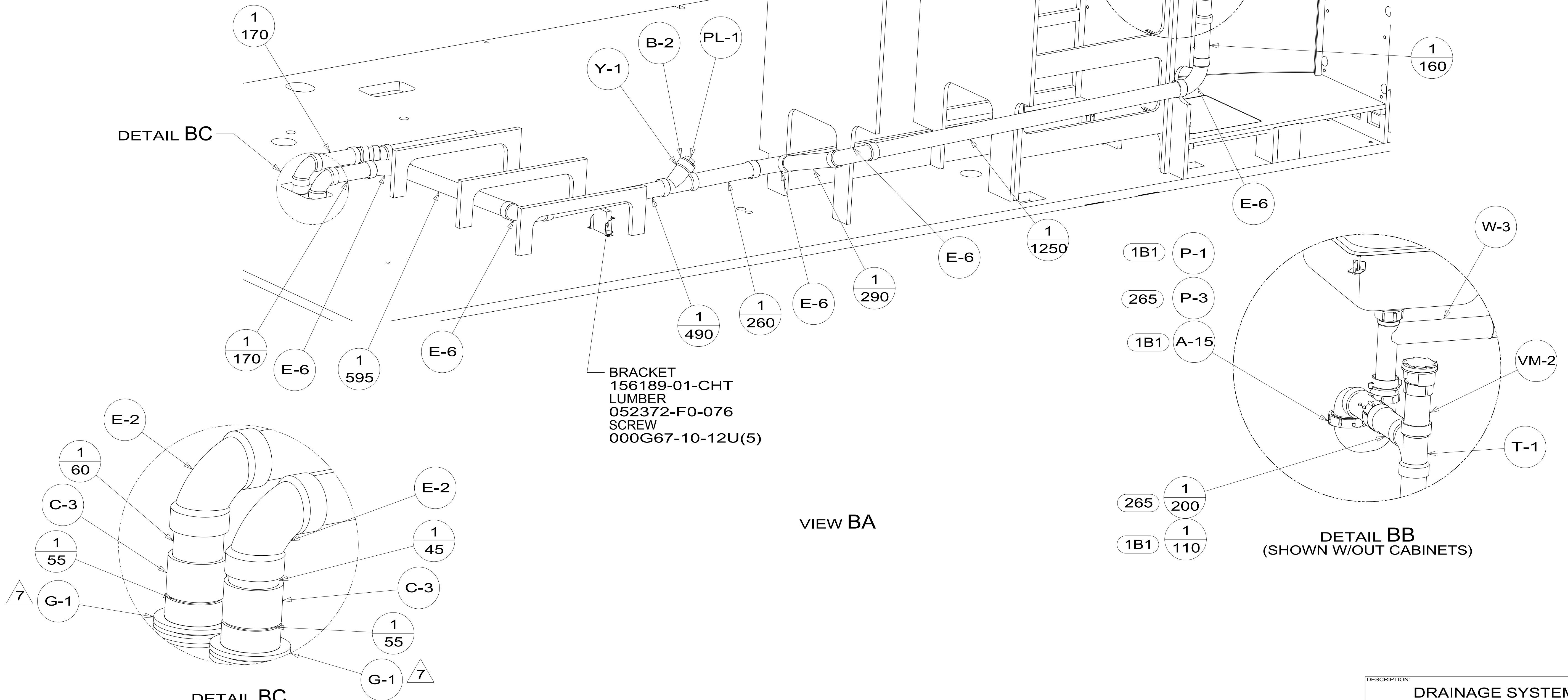
DETAIL BC

BRACKET  
156189-01-CHT  
LUMBER  
052372-F0-076  
SCREW  
000G67-10-12U(5)

VIEW BA

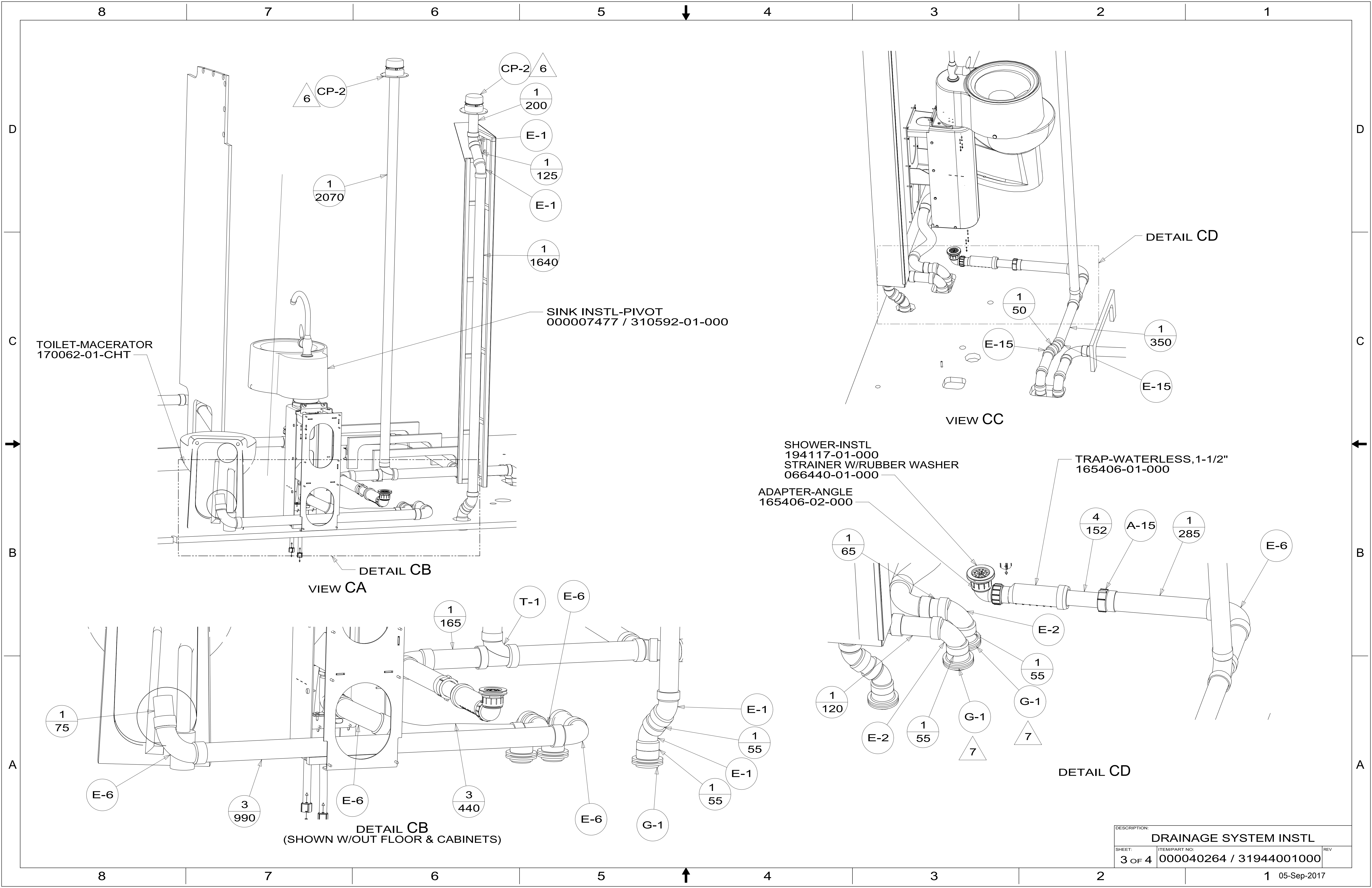
DETAIL BB  
(SHOWN W/OUT CABINETS)

DETAIL BC



DESCRIPTION:		
DRAINAGE SYSTEM INSTL		
SHEET:	ITEM/PART NO.:	REV
2 OF 4	000040264 / 31944001000	

8 7 6 5 4 3 2 1 05-Sep-2017



8 7 6 5 4 3 2 1

CRADLE ASM-HOLDING TANK  
137611-04-CHT  
ULOCK-RISER  
151437-10-CHT (2)  
BOLT  
000C12-06-20U (4)  
NUT  
000D39-06-00U (4)

TANK-HOLDING, 38 GAL  
183056-07-000

HANGER-STRAP  
140220-19-CHT  
NUT  
000D39-06-00U

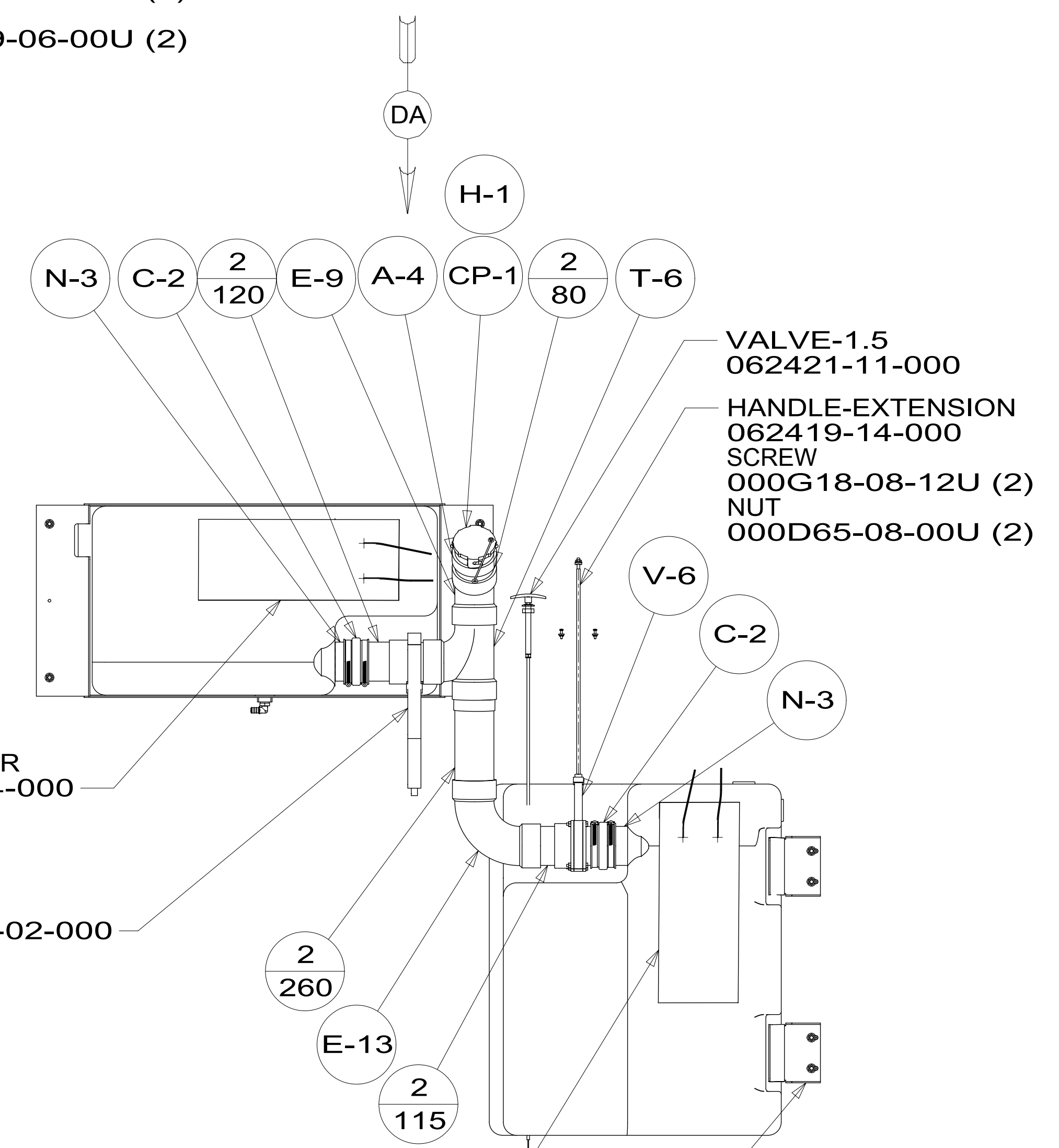
TANK ASM-HOLDING, 40 GAL  
172748-05-000

INSULATION-DRAINAGE COMPT  
168508-40-000

BRACKET ASM-TANK MOUNT  
167936-03-CHT  
ULOCK-RISER  
151437-12-CHT  
BOLT  
000C12-06-20U (2)  
NUT  
000D39-06-00U (2)

HOLDER-RING  
141443-05-CHT  
BOLT  
000C26-05-16U  
NUT  
000D39-05-00U

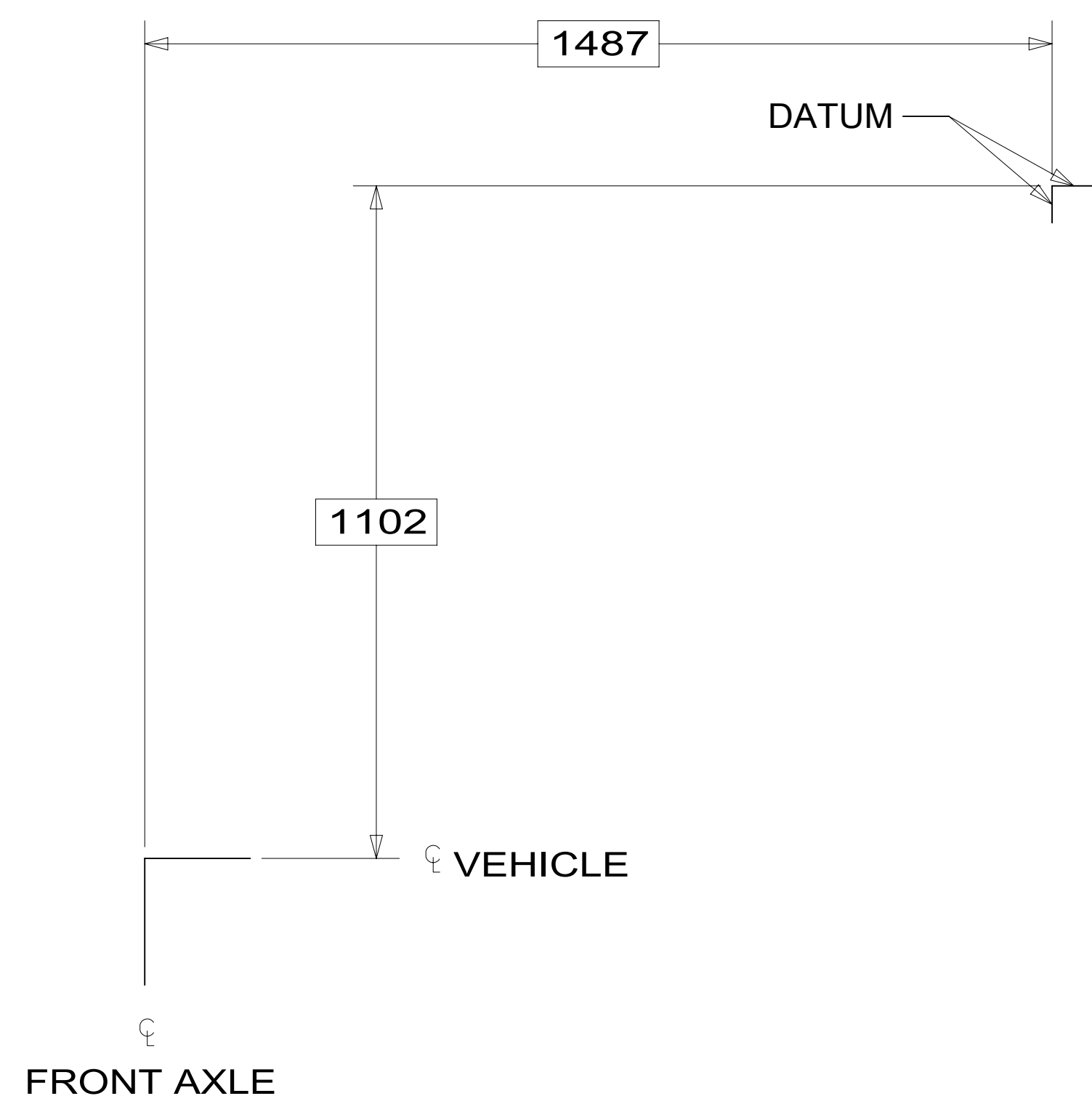
VIEW DA



### BOTTOM VIEW SHOWING ONLY DRAINS AND TANKS

10 11 23T PAD-HEATER  
133972-04-000

BRACKET ASM-TANK MOUNT  
167936-05-CHT  
ULOCK-RISER  
151437-12-CHT  
BOLT  
000C12-06-20U (2)  
NUT  
000D39-06-00U (2)



DESCRIPTION: <b>DRAINAGE SYSTEM INSTL</b>		
SHEET: 4 OF 4	ITEM/PART NO: 000040264 / 31944001000	REV

8 7 6 5 4 3 2 1 05-Sep-2017