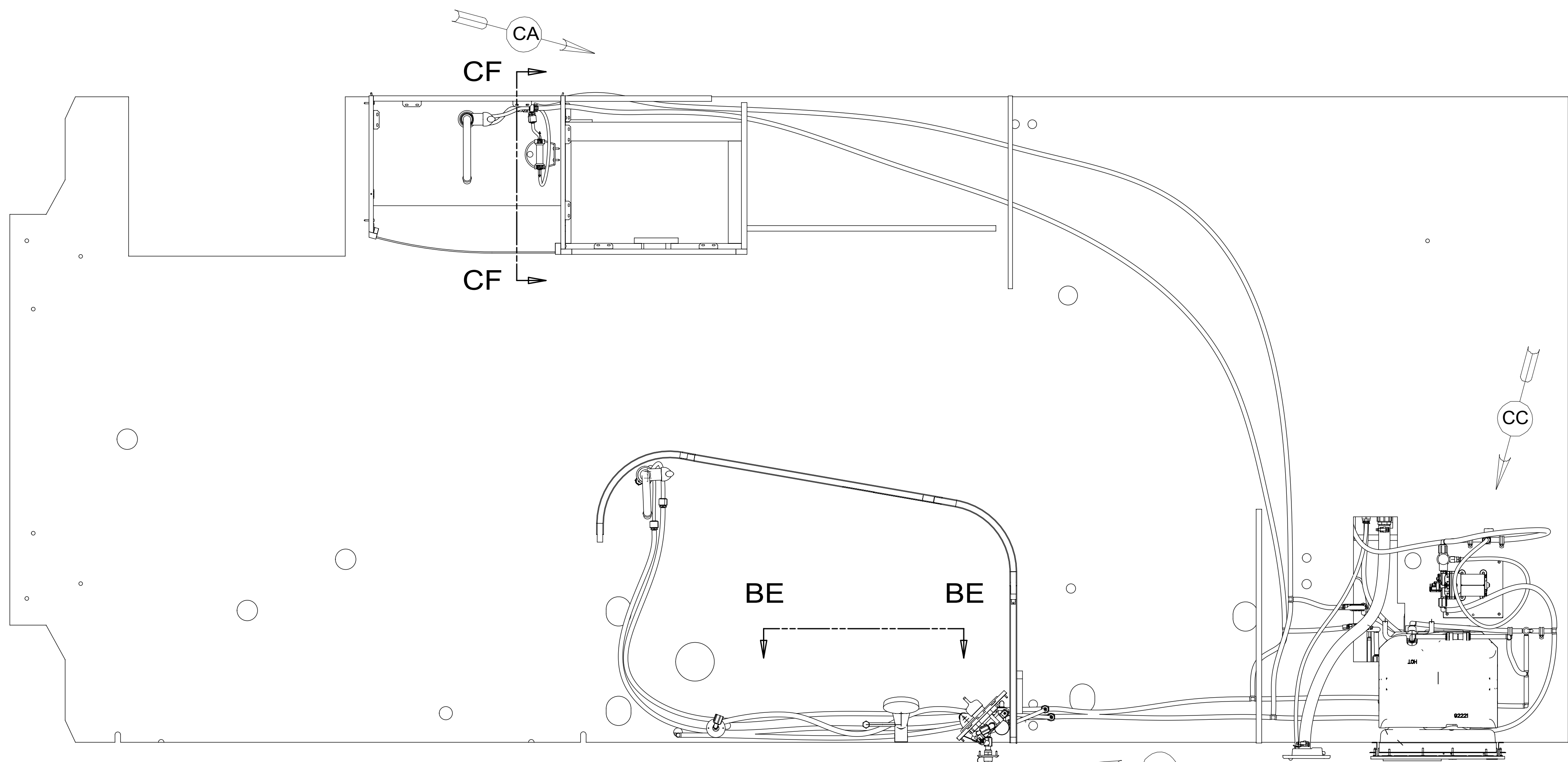


REV	ZONE	REVISION RECORD	DATE	DFTR-ORIG
A	---	INITIAL RELEASE	12/16/16	3650-4129
B	SHT3	ADDED NEW WATER FILTER AND SECTION TO LOCATE	12/21/16	3650
C	---	CHG LENGTH SHT2	3-9-17	1600-4373
D	---	SHT3 DELETE LENGTH/FIT	4-17-17	1600-6073
E	SHT4	UPDATE TO SH-2	06-05-17	0626-1600



FRONT OF COACH

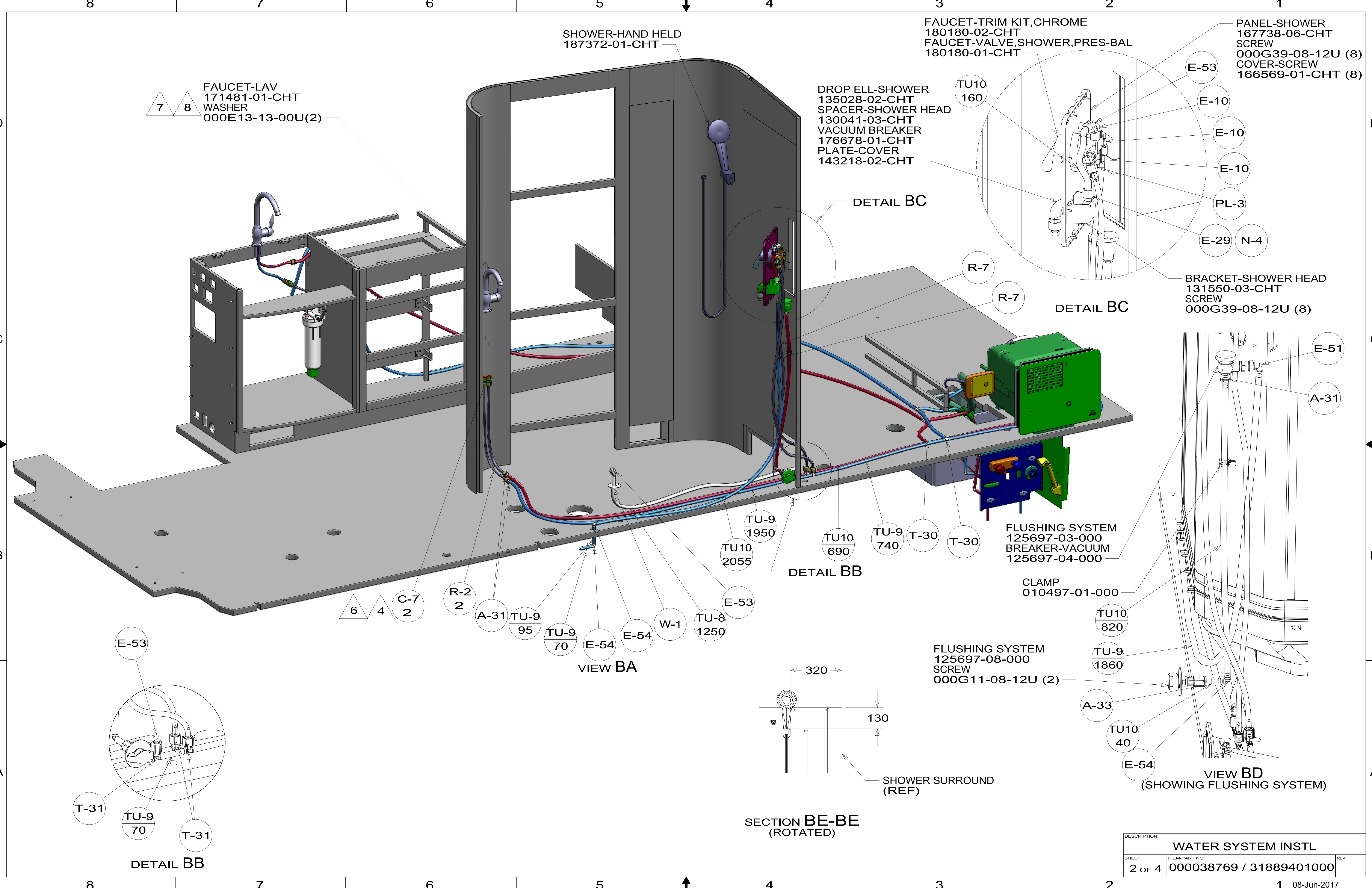
- 11 GALLEY FAUCET TO BE INSTALLED SO THE ON/OFF HANDLE CLEARS WINDOW SHADE.
- 10 INSTALL BYPASS PLUG FOR SYSTEM TESTING AND SHIPPING.
- 9. ALL CRIMP FITTINGS TO PEX TUBING REQUIRE 5/8" CLAMP 140171-04-000.
- 8 INSTALL BETWEEN MOUNTING PLATE AND RETAINING NUTS.
- 7 LAVATORY FAUCET SPOUT TO BE TURNED 180 DEGREES SO THE ON/OFF HANDLE IS FACING TOWARD THE SHOWER.
- 6 INSTALL CONNECTOR WITH TAPERED END AWAY FROM FAUCET.
- 5 ADD PIPE WRAP (LADDER SCRAP 110157-02-000) INSULATION.
- 4 ADD TEFLON TAPE 010405-01-000.
- 3. ALL TUBING TO BE SECURED AT 1200 INTERVALS MAXIMUM WITH CLAMP 010495-01-000 AND SCREW 000G67-10-12u OR EQUIVALENT.
- 2. TUBING TO BE INSTALLED WITH SUFFICIENT SLOPE TO PROVIDE DRAINAGE TO NEAREST VALVE.
- 1. PLASTIC FITTINGS TO BE SEALED WITH SEALANT 084456-01-000.

- 53B WTR HTR-6GAL ELECTRIC/LP GAS
- 1B1 CODES/STANDARDS USA
- 265 CODES/STANDARDS-CSA/CMVSS
- 29B WATER PURIFIER

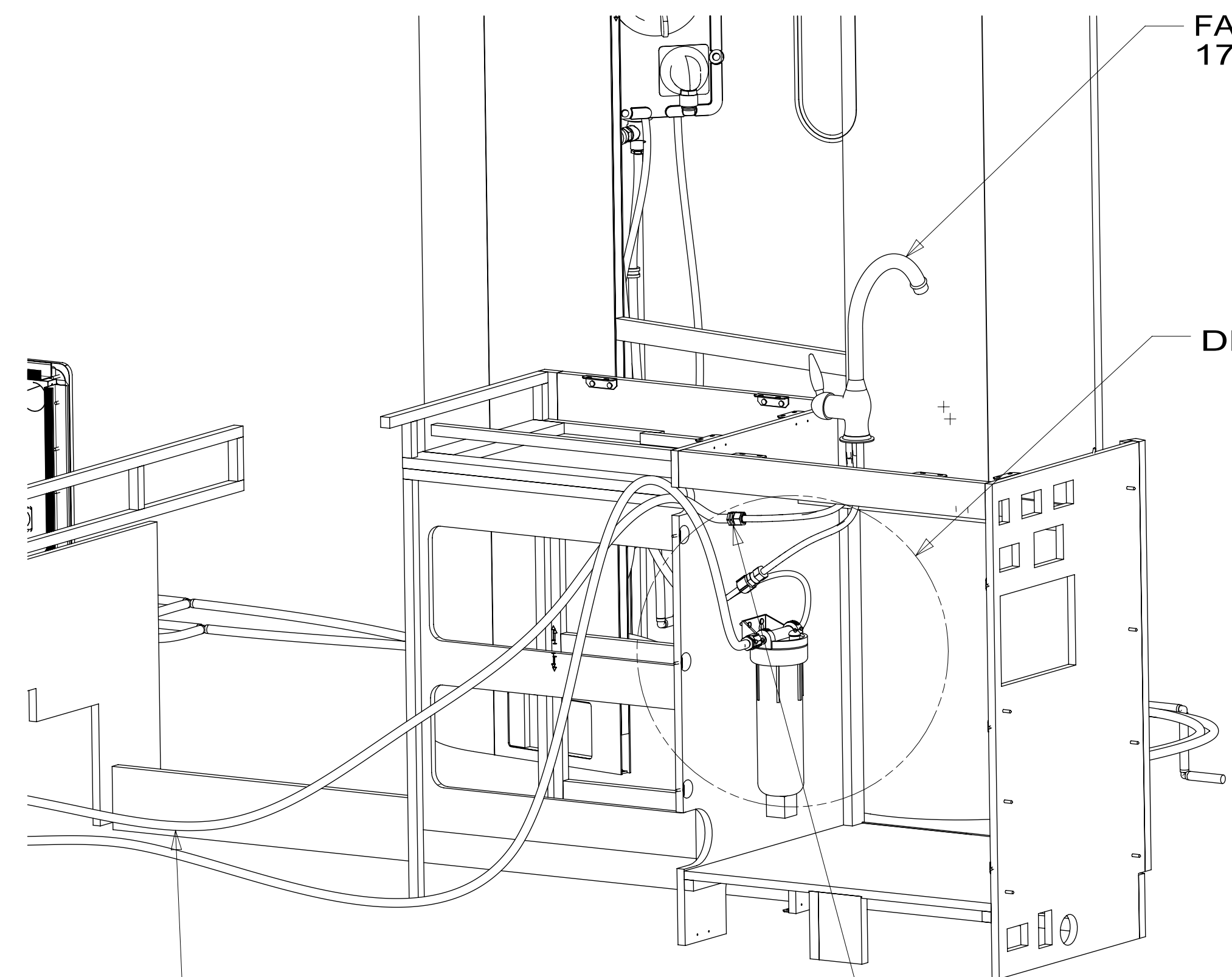
WINNEBAGO
COPYRIGHT 2017 WINNEBAGO INDUSTRIES, INC.

DSNR:	ALL DIMENSIONS ARE IN MILLIMETERS	
DFTR:	MATERIAL:	
UNSPECIFIED TOLERANCES:	WHOLE DIM (X) :	3
	ONE-PLACE (X.X) :	1.5
	TWO-PLACE (X.XX) :	0.50
	ANGLE :	1°
REFER TO ES0018 FOR FASTENER TIGHTENING GUIDELINES	WEIGHT: (LBS)	FIRST USED: (REF)
		17 524V
DESCRIPTION: WATER SYSTEM INSTL		
SHEET: 1 OF 4	ITEM/PART NO: 000038769 / 31889401000	REV:

X-X
FOR WATER CALLOUTS SEE DWG NO. 000209446 / 303369-01-000



DESCRIPTION:		
WATER SYSTEM INSTL		
SHEET:	ITEM/PART NO.:	REV
2 OF 4	000038769 / 31889401000	



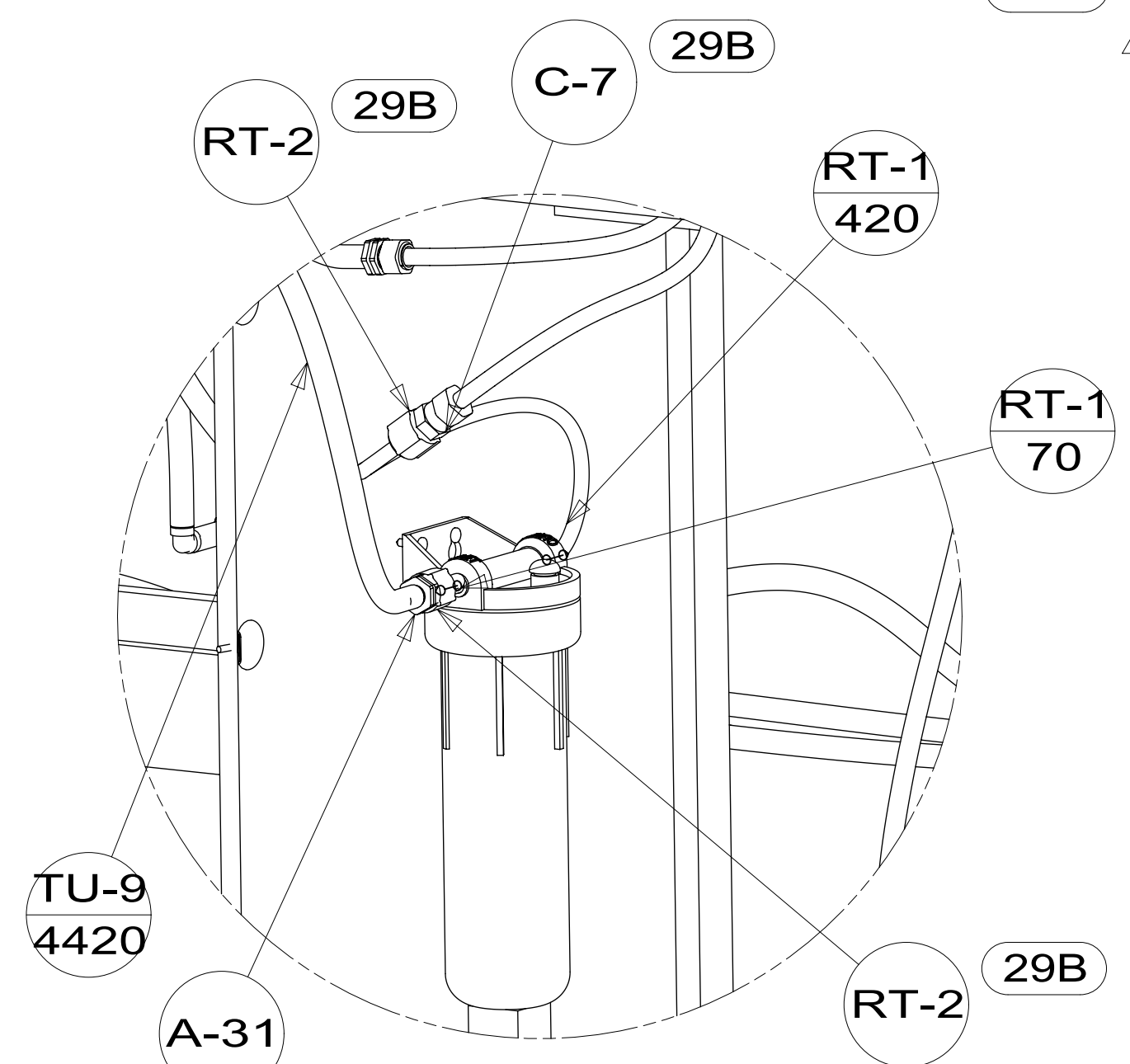
FAUCET-GALLEY
171482-02-CHT 11

DETAIL CB

VIEW CA

A-31

TU10
3760



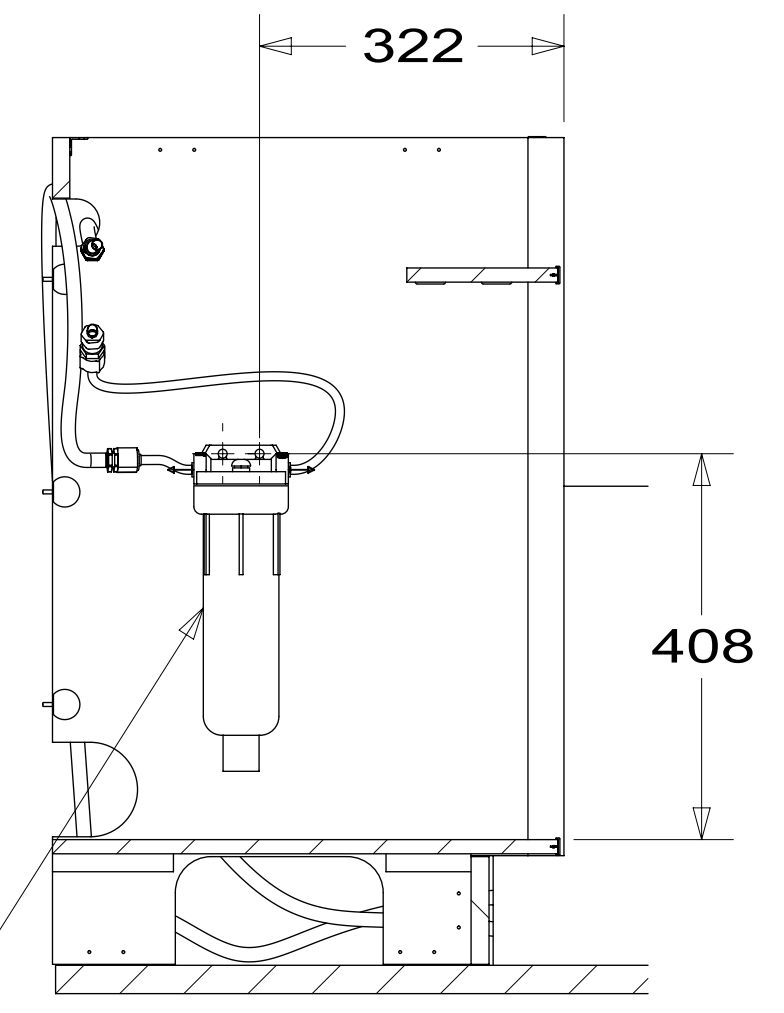
TU-9
4420

A-31

29B

DETAIL CB

29B 10
FILTER KIT-WATER,SINK
000038865 / 318913-01-000
SCREW
000G67-10-12U (2)



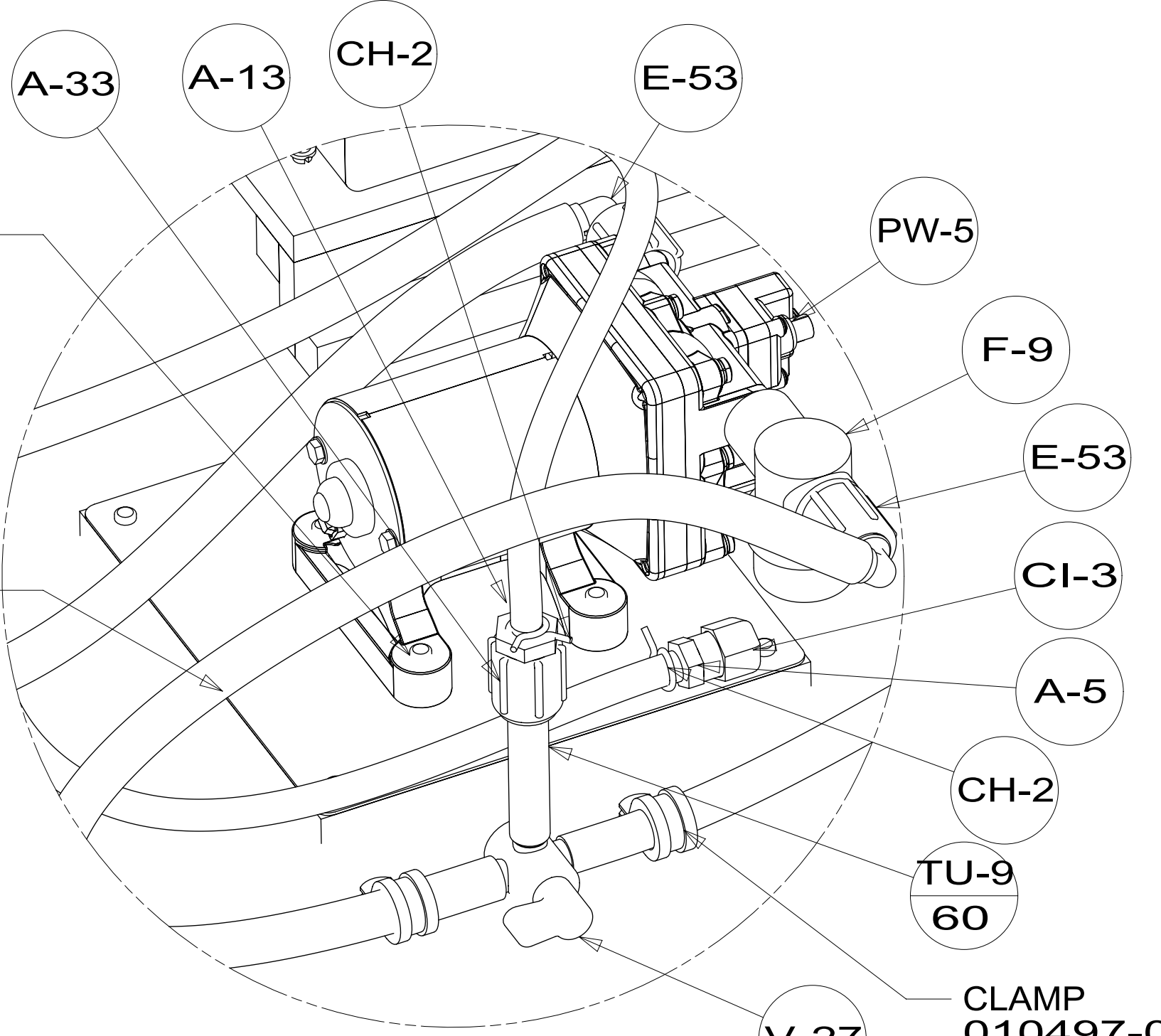
SECTION CF-CF

322

408

SCREW-PAN,HEAD
000G39-08-16U (4)

PANEL-WATER PUMP
149477-04-CHT
FOAM
140364-01-CHT
SCREW
000G39-08-24U (4)



DETAIL CD

A-33

A-13

CH-2

E-53

PW-5

F-9

E-53

CI-3

A-5

CH-2

TU-9
60

V-27

CLAMP
010497-01-000(2)
SCREW
000G39-08-12U(2)

53B
WATER HEATER INSTL
186899-03-000
PLATFORM ASM
144200-A3-000
CABLE
076767-03-000
SCREW
000G39-08-08U(2)

DETAIL CE

E-54

TU10
325

E-54

TU-9
1175

TU-8
485

TU-9
380

TU-8
665

TU10
120

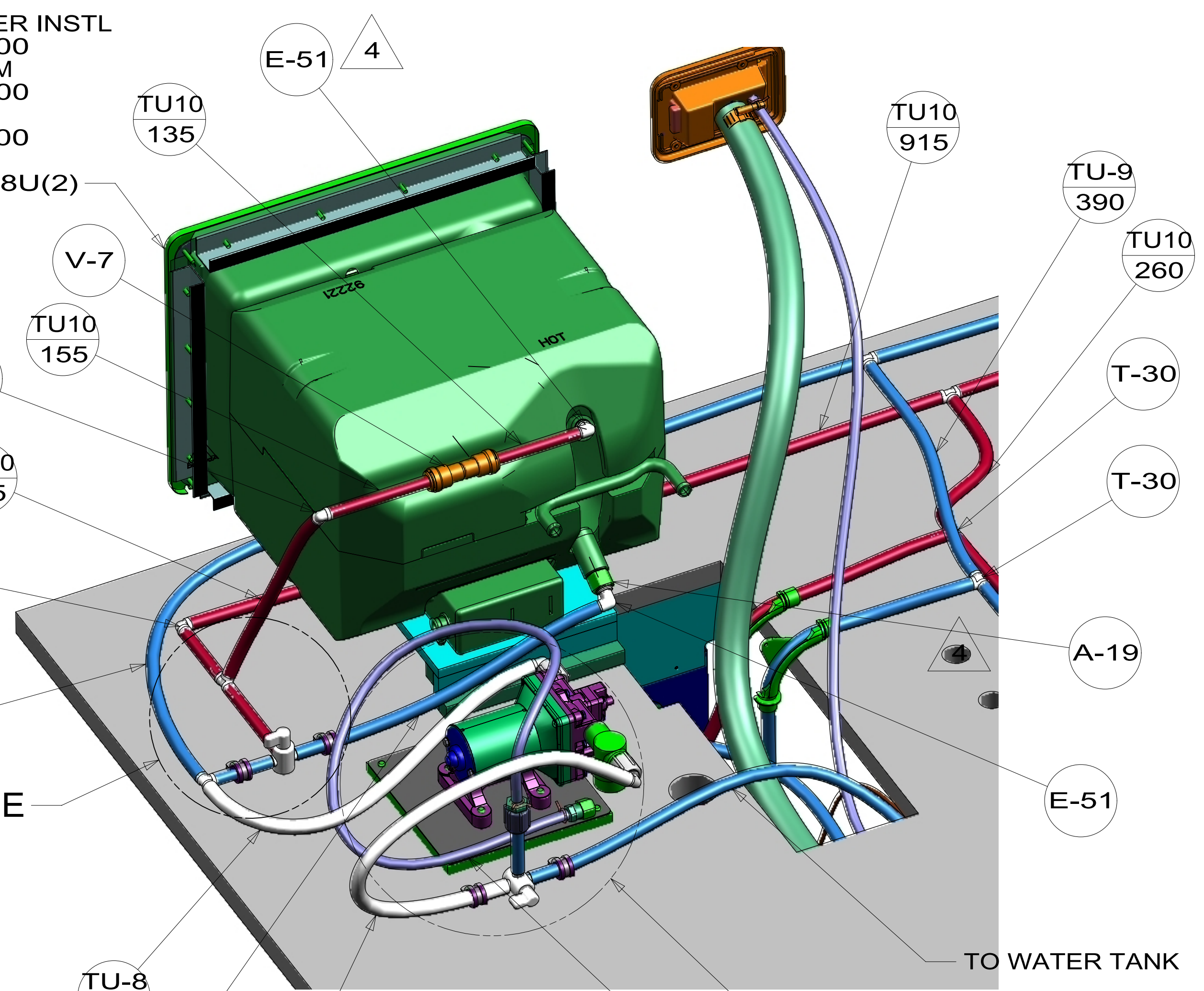
T-30

TU-9
70

DETAIL CE

V-27

CLAMP
010497-01-000(2)
SCREW
000G39-08-12U(2)



VIEW CC

TU-3
1000

DETAIL CD

TU10
915

TU-9
390

TU10
260

T-30

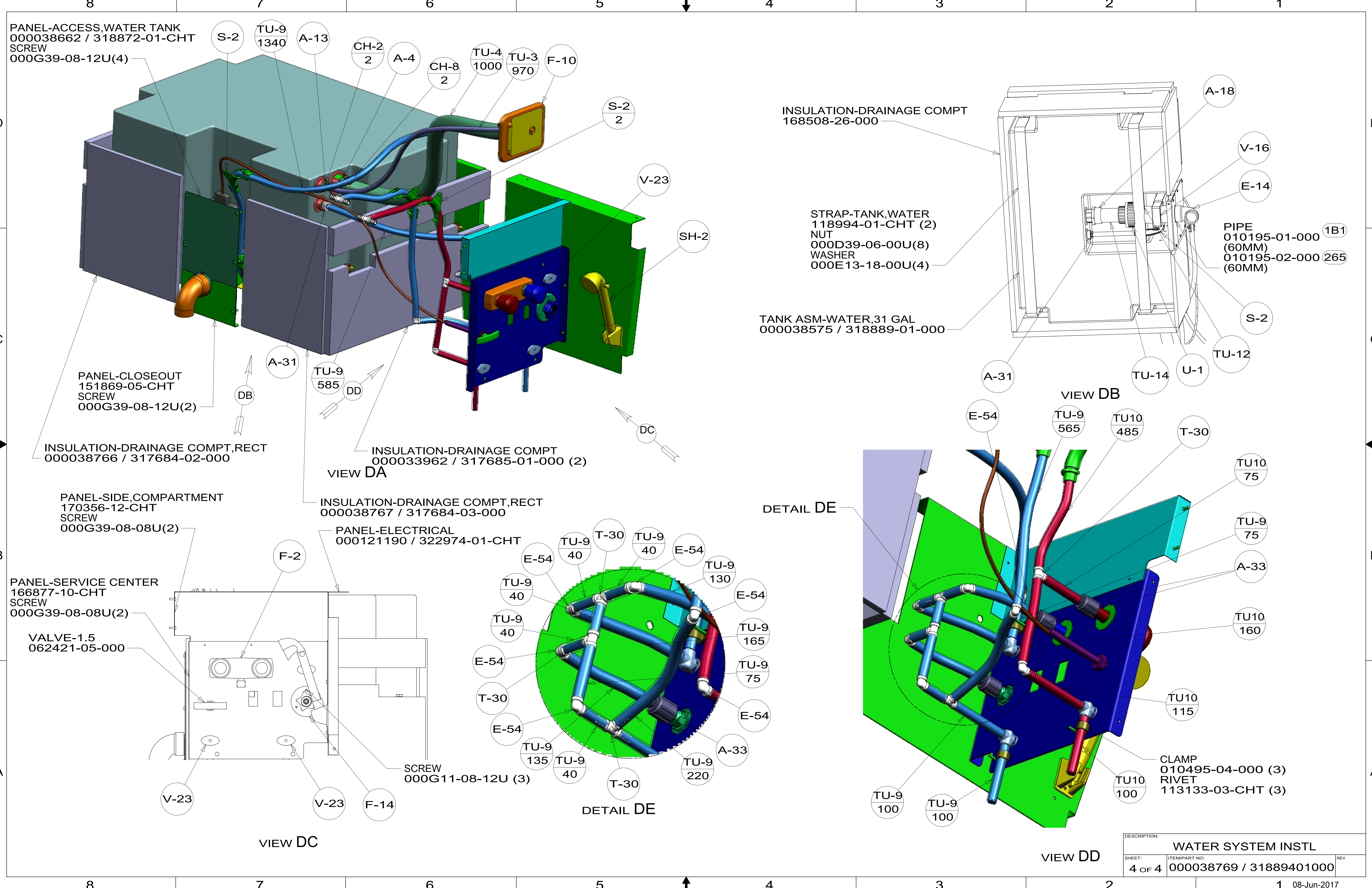
T-30

A-19

E-51

TO WATER TANK

DESCRIPTION:		
WATER SYSTEM INSTL		
SHEET:	ITEM/PART NO.:	REV
3 OF 4	000038769 / 31889401000	



DESCRIPTION:		
WATER SYSTEM INSTL		
SHEET:	ITEM/PART NO:	REV
4 OF 4	000038769 / 31889401000	