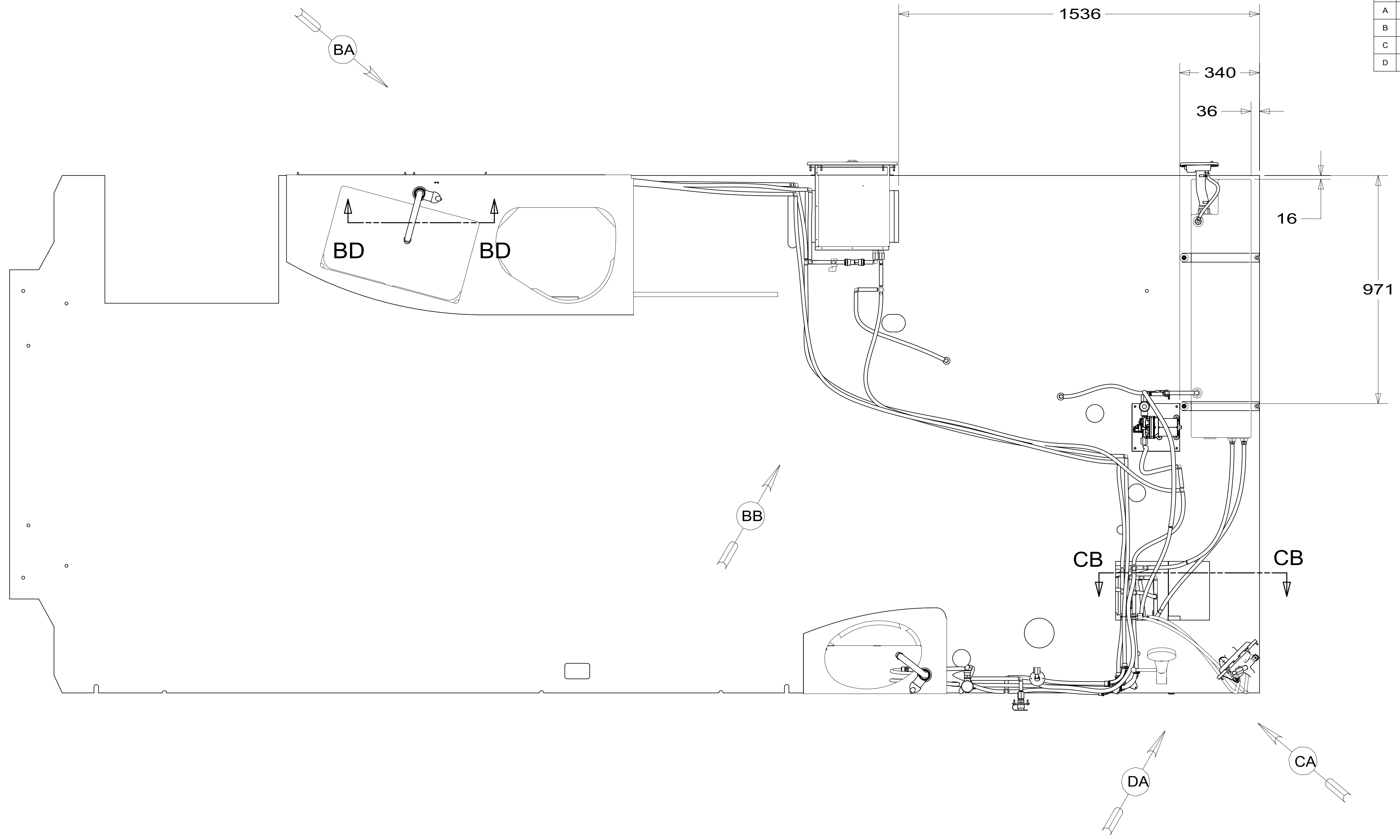


REV	ZONE	REVISION RECORD	DATE	DFTR-ORIG
A	---	INITIAL RELEASE	10/26/16	4129
B	SHT2	REPLACED FILTER	12-21-16	0626-1600
C	SHT4	SH-2 WAS SH-1 AND CHG PANEL	06/05/17	9080-1600
D	SHT3	CHG FAUCET AND TRIM KIT	09/01/17	9080-1600



- 10 LAVATORY FAUCET SPOUT TO BE TURNED 180 DEGREES SO THE ON/OFF HANDLE IS FACING TOWARD THE CENTER OF THE COACH.
- 9 INSTALL BYPASS PLUG FOR SYSTEM TESTING AND SHIPPING.
- 8. ALL CRIMP FITTINGS TO 1/2" PEX TUBING REQUIRE 1/2" CLAMP 140171-03-000.
- 7. ALL CRIMP FITTINGS TO 5/8" PEX TUBING REQUIRE 5/8" CLAMP 140171-04-000.
- 6 LABEL HOT AND COLD SUPPLY TUBES AND TAPE FITTING TO TUBE BEFORE CABINET SET TO PREVENT MOVEMENT.
- 5 ADD PIPE WRAP (LADDER SCRAP 110157-02-000) INSULATION.
- 4 ADD TEFLON TAPE 010405-02-000.
- 3. ALL TUBING TO BE SECURED AT 1200 INTERVALS MAXIMUM WITH CLAMP 010495-01-000 AND SCREW 000G67-10-12U OR EQUIVALENT.
- 2. TUBING TO BE INSTALLED WITH SUFFICIENT SLOPE TO PROVIDE DRAINAGE TO NEAREST VALVE.
- 1. PLASTIC FITTINGS TO BE SEALED WITH SEALANT 084456-01-000.

- 1BU WTR HTR TKLS W/RECIRCUL PUMP
- 29B WATER PURIFIER

WINNEBAGO
COPYRIGHT 2017 WINNEBAGO INDUSTRIES, INC.

DSNR:	ALL DIMENSIONS ARE IN MILLIMETERS	
DFTR:	MATERIAL:	
UNSPECIFIED TOLERANCES:	WHOLE DIM (X) :	3
	ONE-PLACE (X.X) :	1.5
	TWO-PLACE (X.XX) :	0.50
	ANGLE :	1°
REFER TO ES0018 FOR FASTENER TIGHTENING GUIDELINES	WEIGHT: (LBS)	FIRST USED: (REF)
		17 524J
DESCRIPTION: WATER SYSTEM INSTL		
SHEET: 1 OF 4	ITEM/PART NO: 000034786 / 31787501000	REV:

X-X
FOR WATER CALLOUTS SEE DWG NO. 000209446 / 303369-01-000

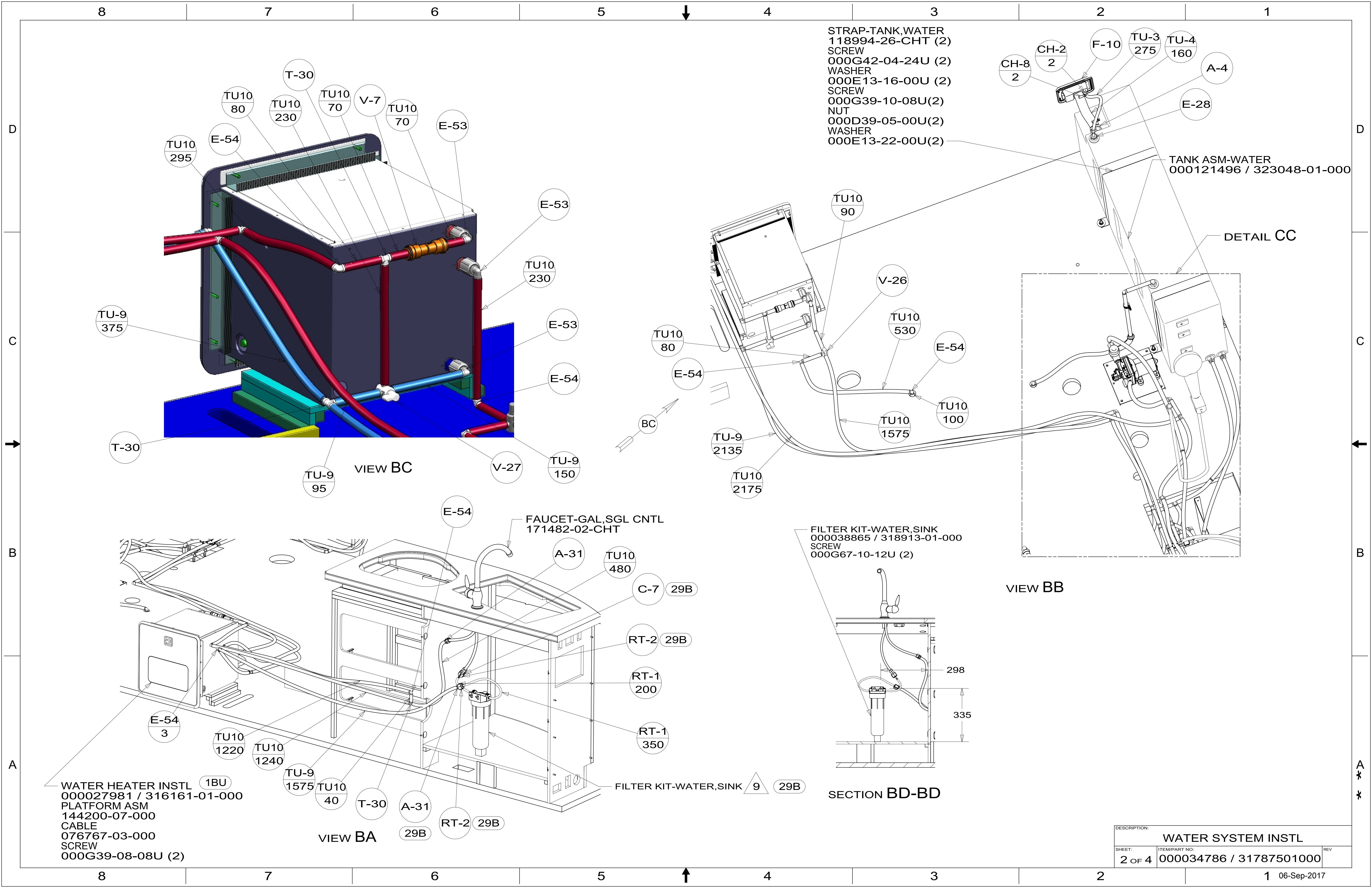
STRAP-TANK,WATER
 118994-26-CHT (2)
 SCREW
 000G42-04-24U (2)
 WASHER
 000E13-16-00U (2)
 SCREW
 000G39-10-08U(2)
 NUT
 000D39-05-00U(2)
 WASHER
 000E13-22-00U(2)

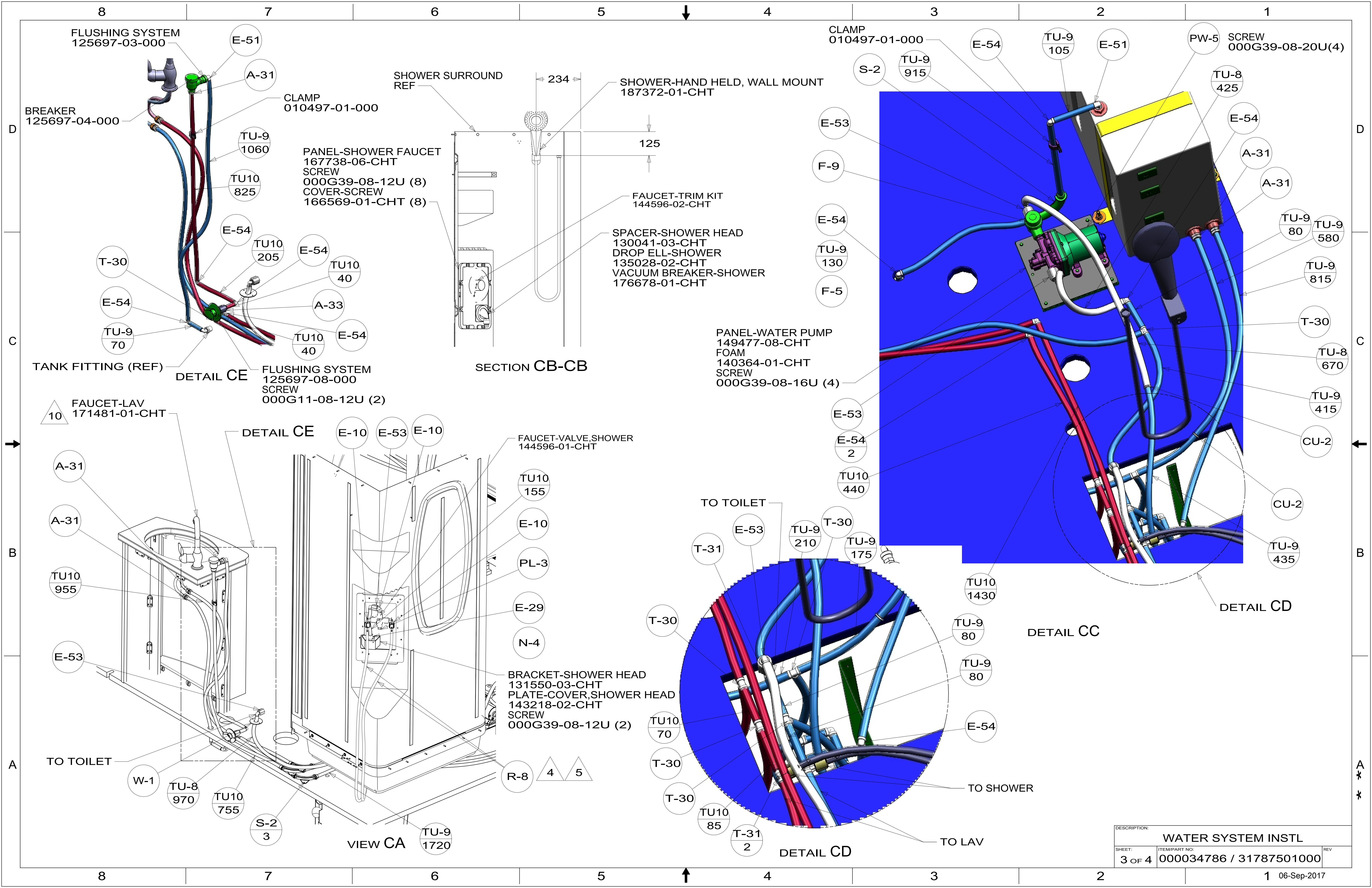
TANK ASM-WATER
 000121496 / 323048-01-000

FILTER KIT-WATER,SINK
 000038865 / 318913-01-000
 SCREW
 000G67-10-12U (2)

WATER HEATER INSTL 1BU
 000027981 / 316161-01-000
 PLATFORM ASM
 144200-07-000
 CABLE
 076767-03-000
 SCREW
 000G39-08-08U (2)

DESCRIPTION: WATER SYSTEM INSTL		
SHEET: 2 OF 4	ITEM/PART NO: 000034786 / 31787501000	REV





DESCRIPTION:		
WATER SYSTEM INSTL		
SHEET:	ITEM/PART NO:	REV
3 OF 4	000034786 / 31787501000	

PANEL-SERVICE CENTER
166877-13-CHT

PANEL-SIDE, COMPARTMENT
000032377 / 317192-01-CHT
SCREW
000G39-10-08U (5)

PANEL-ELECTRICAL
000121181 / 322972-01-CHT

SCREW
000G11-08-12U (3)

VIEW DA

DETAIL DC

DETAIL DC

VIEW DB

DESCRIPTION:		
WATER SYSTEM INSTL		
SHEET:	ITEM/PART NO.:	REV
4 OF 4	000034786 / 31787501000	