

8

7

6

5

4

3

2

1



D

D

CABLE ASM-CHASSIS GND EXT (BLK)		133566-12-010
CABLE ASM-CHASSIS BATTERY DISCONNECT SUPPLY (RED)		141415-32-024
CABLE ASM-COACH BATTERY DISCONNECT SUPPLY (YEL)		141416-52-020
CABLE ASM-COACH BATTERY GND (BLK)		133567-12-006
CABLE ASM-GENERATOR (GRN)		141415-42-072
CABLE ASM-GENERATOR GND (BLK)		133566-12-008
LEVELING SYSTEM POWER CABLE (BLU)	60M	141415-29-021
LEVELING SYSTEM GND CABLE (BLK)	60M	133566-12-008
WIRE ASM-INVERTER	401	154845-02-030
CABLE ASM-STARTER (RED)		141416-32-010
CABLE ASM-COACH BATTERY FUSE		141416-52-003
CABLE ASM-CHASSIS BATTERY FUSE		141415-32-003

C

C



B

B

A

A

8

7

6

5

4

3

2



FOR ELECTRICAL TORQUE SPECIFICATIONS SEE DWG NO. 128783-01-000

FOR ELECTRICAL CALLOUTS SEE DWG NO. 121339-01-000

- 60M HYDRAULIC LEVEL JACKS-AUTO
- 401 INVERTER-DC/AC, 1000 WATT
- 265 CODES/STANDARDS-CSA/CMVSS
- 1B1 CODES/STANDARDS USA

**WINNEBAGO**<sup>®</sup>  
COPYRIGHT 2016 WINNEBAGO INDUSTRIES, INC.

DSNR:		ALL DIMENSIONS ARE IN MILLIMETERS	
DFFR:			
UNSPECIFIED TOLERANCES:	MATERIAL:		
WHOLE DIM (X) :		3	
ONE-PLACE (X.X) :		1.5	
TWO-PLACE (X.XX) :		0.50	
ANGLE :		1°	
REFER TO ES0018 FOR FASTENER TIGHTENING GUIDELINES	WEIGHT: (LBS)	FIRST USED:	
		<b>17 E29VE</b>	
<b>BATTERY INSTL</b>			
SHEET:	ITEM/PART NO.:	REV	
<b>1 OF 4</b>	<b>000033641 / 31759701000</b>		
REF:		<b>1 29-Mar-2017</b>	

8

7

6

5

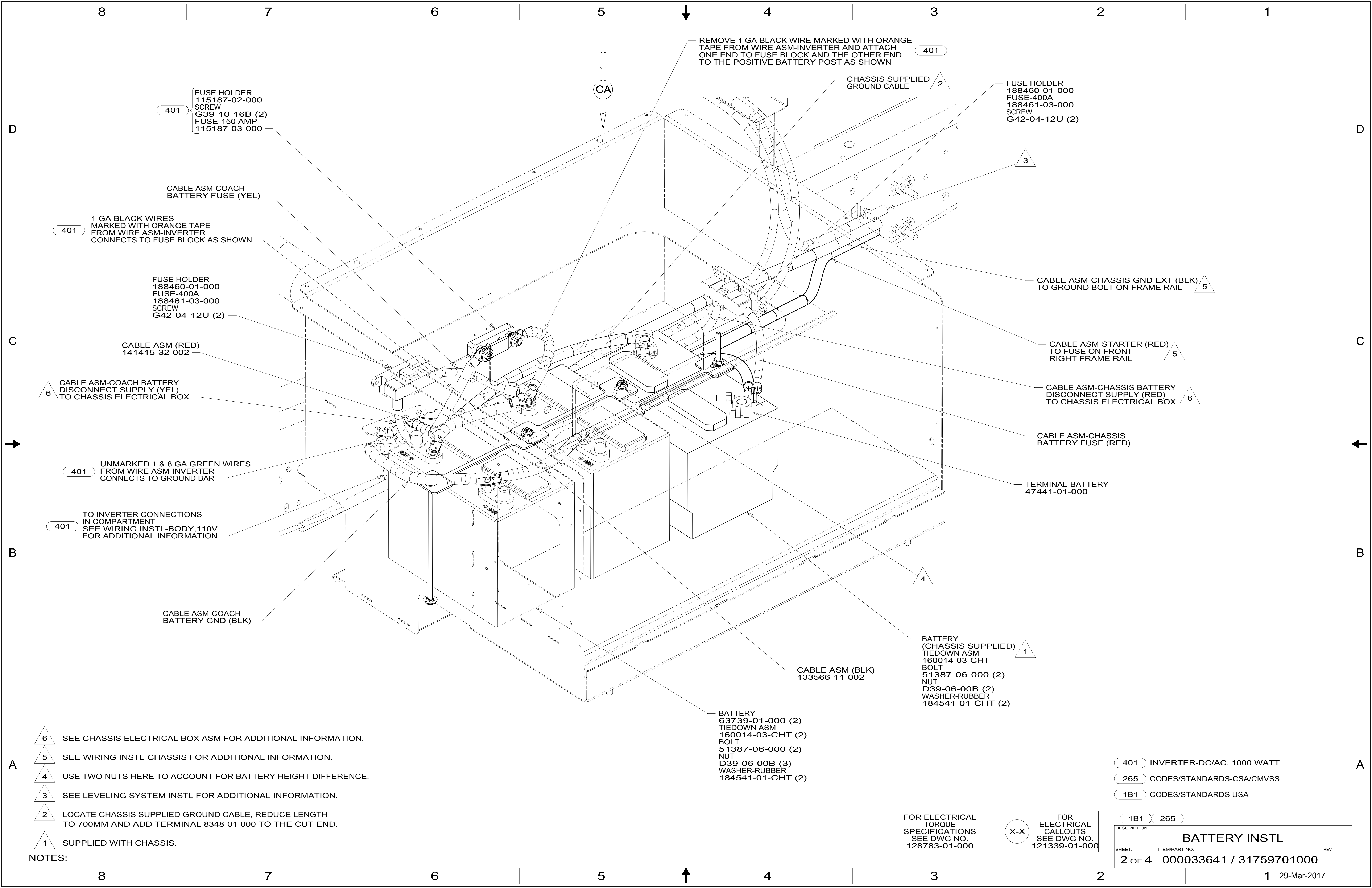
4

3

2

1

29-Mar-2017



REMOVE 1 GA BLACK WIRE MARKED WITH ORANGE TAPE FROM WIRE ASM-INVERTER AND ATTACH ONE END TO FUSE BLOCK AND THE OTHER END TO THE POSITIVE BATTERY POST AS SHOWN

401 FUSE HOLDER 115187-02-000 SCREW G39-10-16B (2) FUSE-150 AMP 115187-03-000

2 CHASSIS SUPPLIED GROUND CABLE

FUSE HOLDER 188460-01-000 FUSE-400A 188461-03-000 SCREW G42-04-12U (2)

CABLE ASM-COACH BATTERY FUSE (YEL)

401 1 GA BLACK WIRES MARKED WITH ORANGE TAPE FROM WIRE ASM-INVERTER CONNECTS TO FUSE BLOCK AS SHOWN

FUSE HOLDER 188460-01-000 FUSE-400A 188461-03-000 SCREW G42-04-12U (2)

5 CABLE ASM-CHASSIS GND EXT (BLK) TO GROUND BOLT ON FRAME RAIL

CABLE ASM (RED) 141415-32-002

5 CABLE ASM-STARTER (RED) TO FUSE ON FRONT RIGHT FRAME RAIL

6 CABLE ASM-COACH BATTERY DISCONNECT SUPPLY (YEL) TO CHASSIS ELECTRICAL BOX

6 CABLE ASM-CHASSIS BATTERY DISCONNECT SUPPLY (RED) TO CHASSIS ELECTRICAL BOX

401 UNMARKED 1 & 8 GA GREEN WIRES FROM WIRE ASM-INVERTER CONNECTS TO GROUND BAR

CABLE ASM-CHASSIS BATTERY FUSE (RED)

401 TO INVERTER CONNECTIONS IN COMPARTMENT SEE WIRING INSTL-BODY, 110V FOR ADDITIONAL INFORMATION

TERMINAL-BATTERY 47441-01-000

CABLE ASM-COACH BATTERY GND (BLK)

4 CABLE ASM (BLK) 133566-11-002

1 BATTERY (CHASSIS SUPPLIED) TIEDOWN ASM 160014-03-CHT BOLT 51387-06-000 (2) NUT D39-06-00B (2) WASHER-RUBBER 184541-01-CHT (2)

BATTERY 63739-01-000 (2) TIEDOWN ASM 160014-03-CHT (2) BOLT 51387-06-000 (2) NUT D39-06-00B (3) WASHER-RUBBER 184541-01-CHT (2)

- 6 SEE CHASSIS ELECTRICAL BOX ASM FOR ADDITIONAL INFORMATION.
- 5 SEE WIRING INSTL-CHASSIS FOR ADDITIONAL INFORMATION.
- 4 USE TWO NUTS HERE TO ACCOUNT FOR BATTERY HEIGHT DIFFERENCE.
- 3 SEE LEVELING SYSTEM INSTL FOR ADDITIONAL INFORMATION.
- 2 LOCATE CHASSIS SUPPLIED GROUND CABLE, REDUCE LENGTH TO 700MM AND ADD TERMINAL 8348-01-000 TO THE CUT END.
- 1 SUPPLIED WITH CHASSIS.

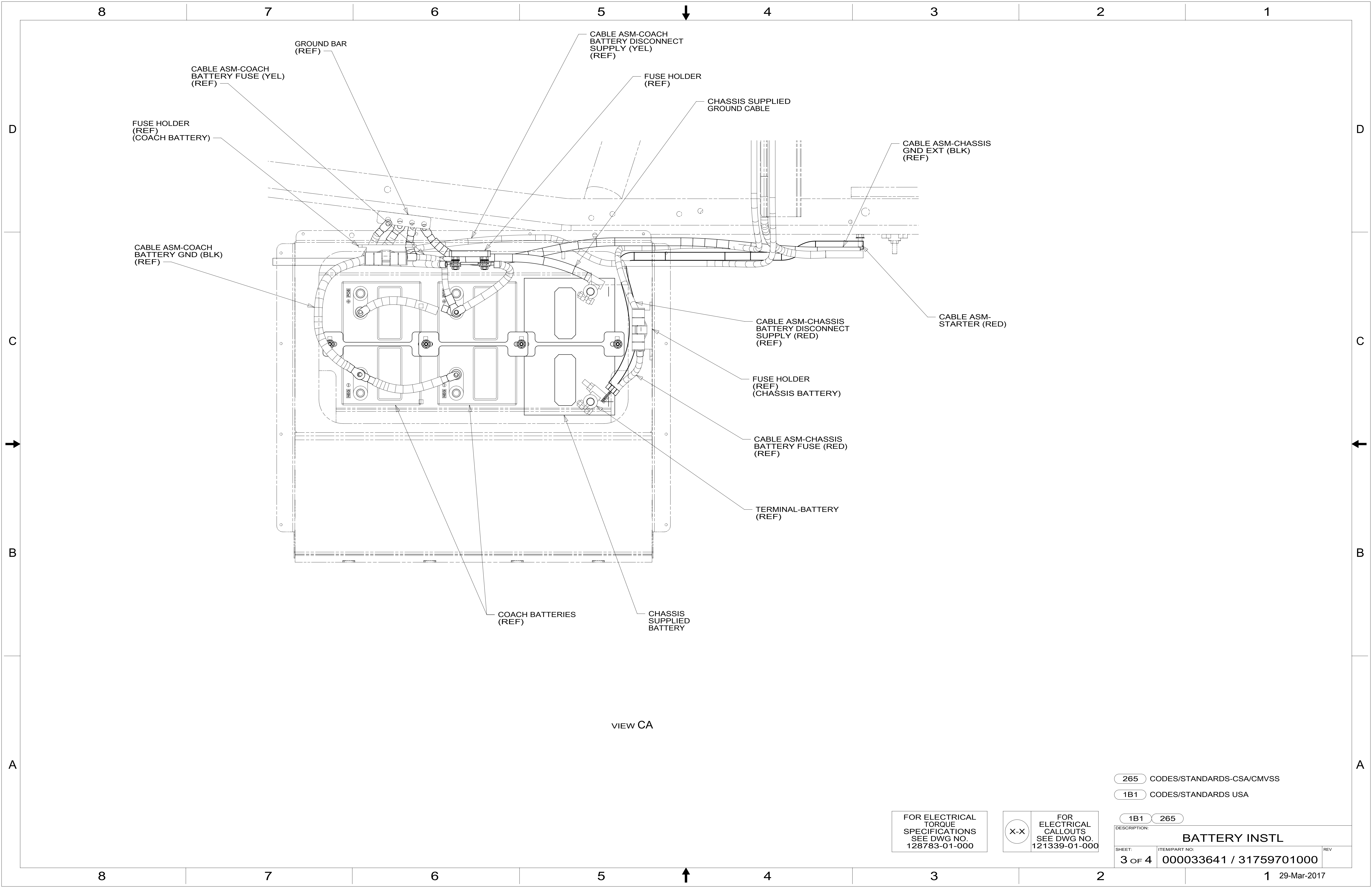
- 401 INVERTER-DC/AC, 1000 WATT
- 265 CODES/STANDARDS-CSA/CMVSS
- 1B1 CODES/STANDARDS USA

FOR ELECTRICAL TORQUE SPECIFICATIONS SEE DWG NO. 128783-01-000

FOR ELECTRICAL CALLOUTS SEE DWG NO. 121339-01-000

DESCRIPTION:		1B1 265	
<b>BATTERY INSTL</b>			
SHEET:	ITEM/PART NO.:	REV	
2 OF 4	000033641 / 31759701000		

NOTES:



VIEW CA

265 CODES/STANDARDS-CSA/CMVSS

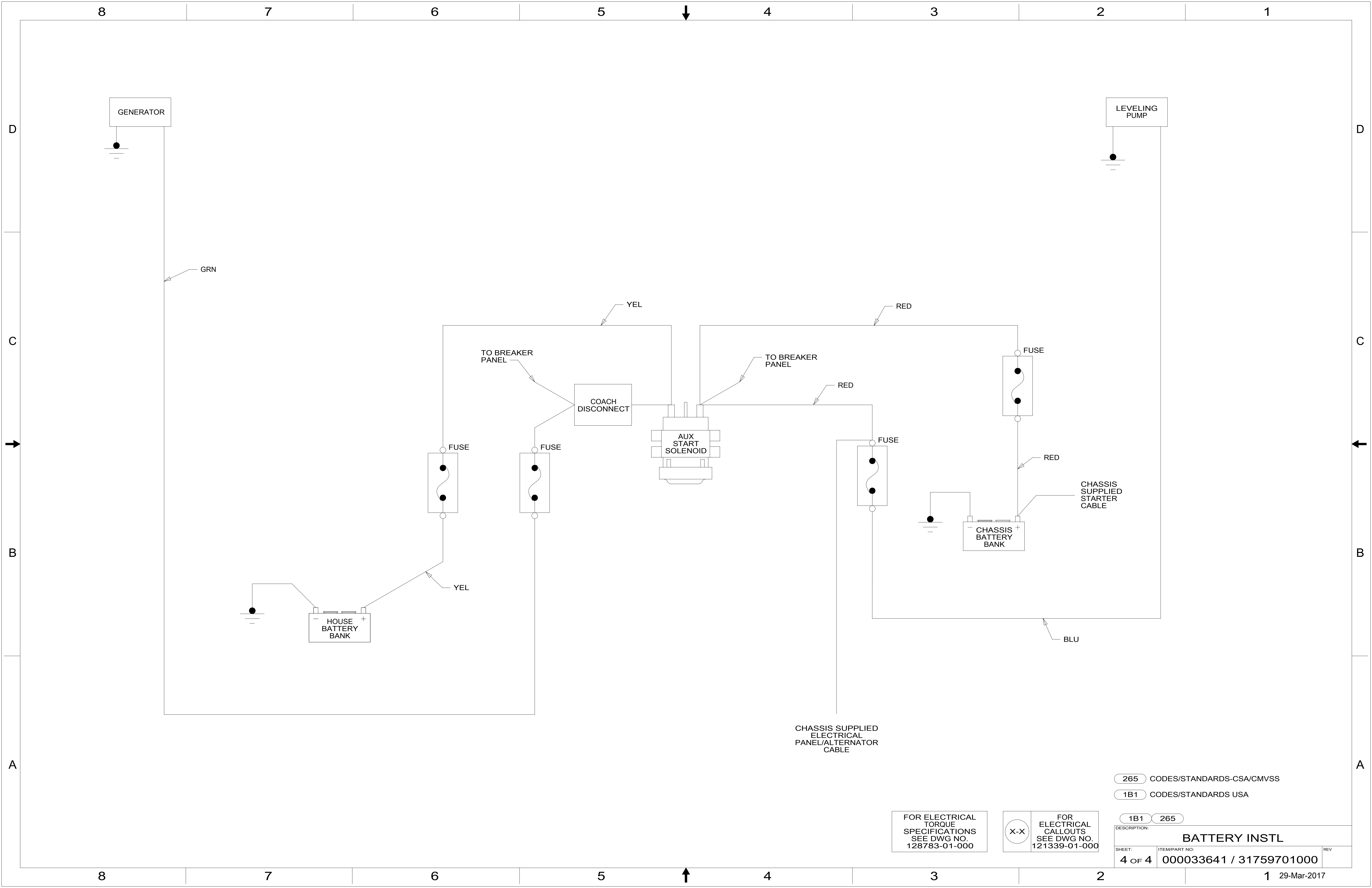
1B1 CODES/STANDARDS USA

1B1 265

FOR ELECTRICAL TORQUE SPECIFICATIONS SEE DWG NO. 128783-01-000

FOR ELECTRICAL CALLOUTS SEE DWG NO. 121339-01-000

DESCRIPTION:		
<b>BATTERY INSTL</b>		
SHEET:	ITEM/PART NO.:	REV
3 OF 4	000033641 / 31759701000	



265 CODES/STANDARDS-CSA/CMVSS

1B1 CODES/STANDARDS USA

1B1 265

FOR ELECTRICAL TORQUE SPECIFICATIONS SEE DWG NO. 128783-01-000

FOR ELECTRICAL CALLOUTS SEE DWG NO. 121339-01-000

DESCRIPTION:		
<b>BATTERY INSTL</b>		
SHEET:	ITEM/PART NO.:	REV:
4 OF 4	000033641 / 31759701000	