

8 7 6 5 4 3 2 1

D

C

B

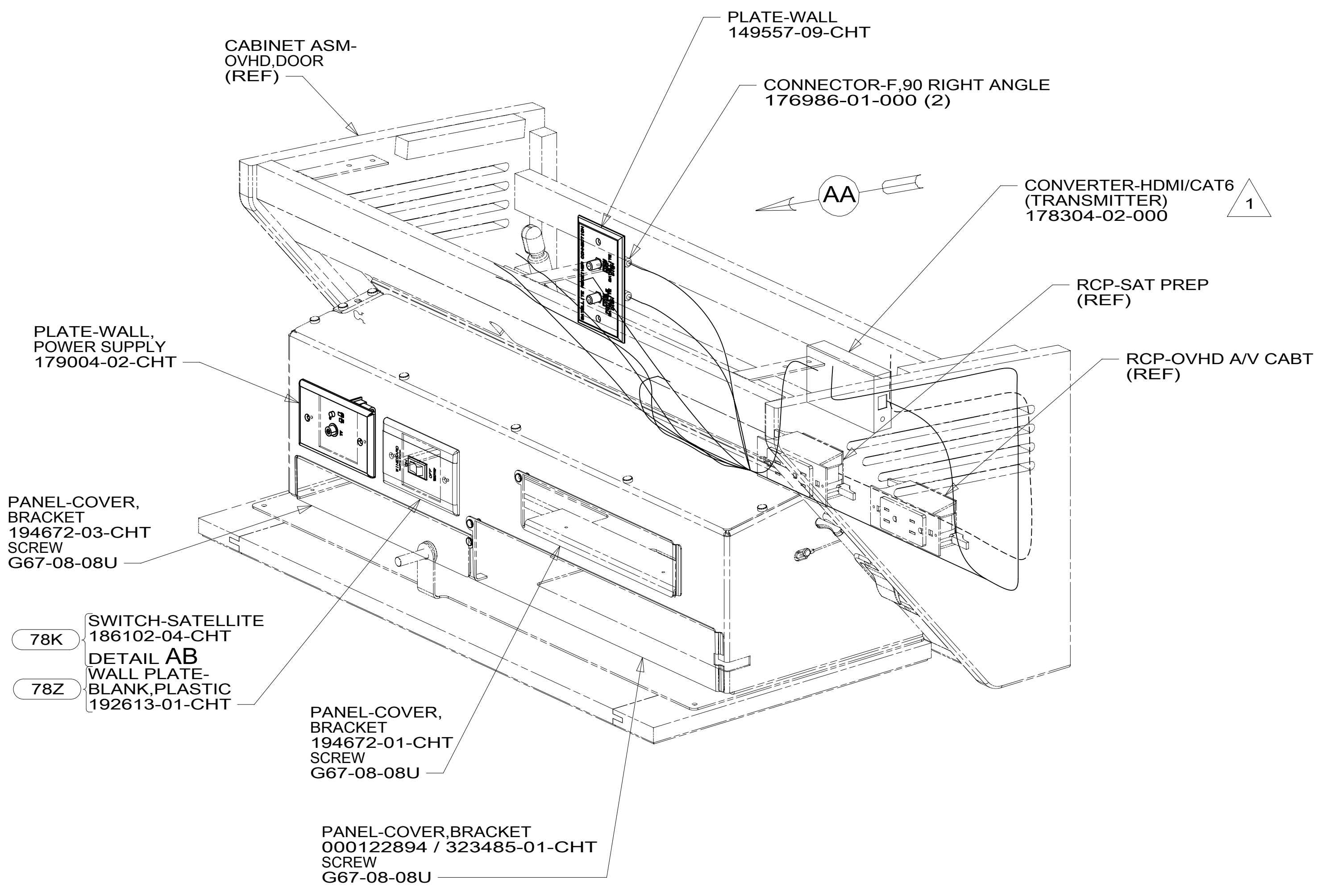
A

D

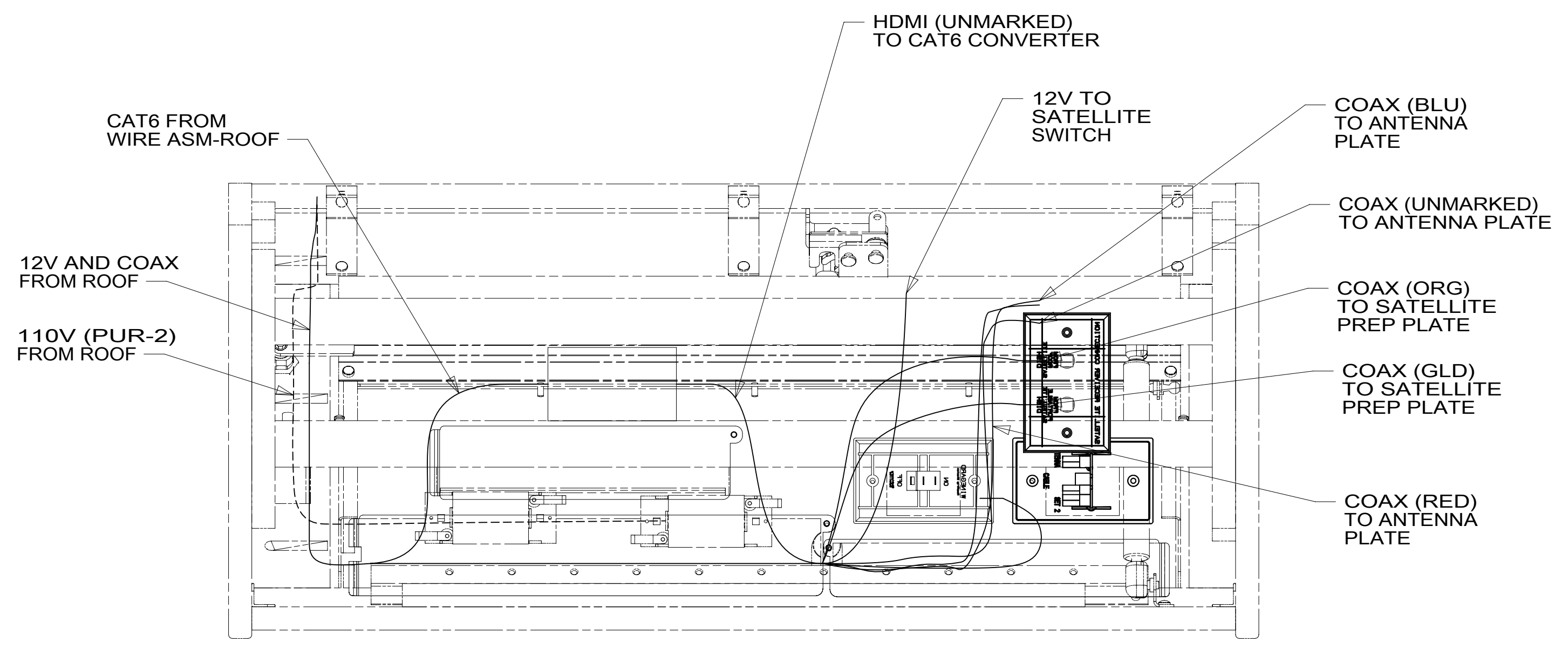
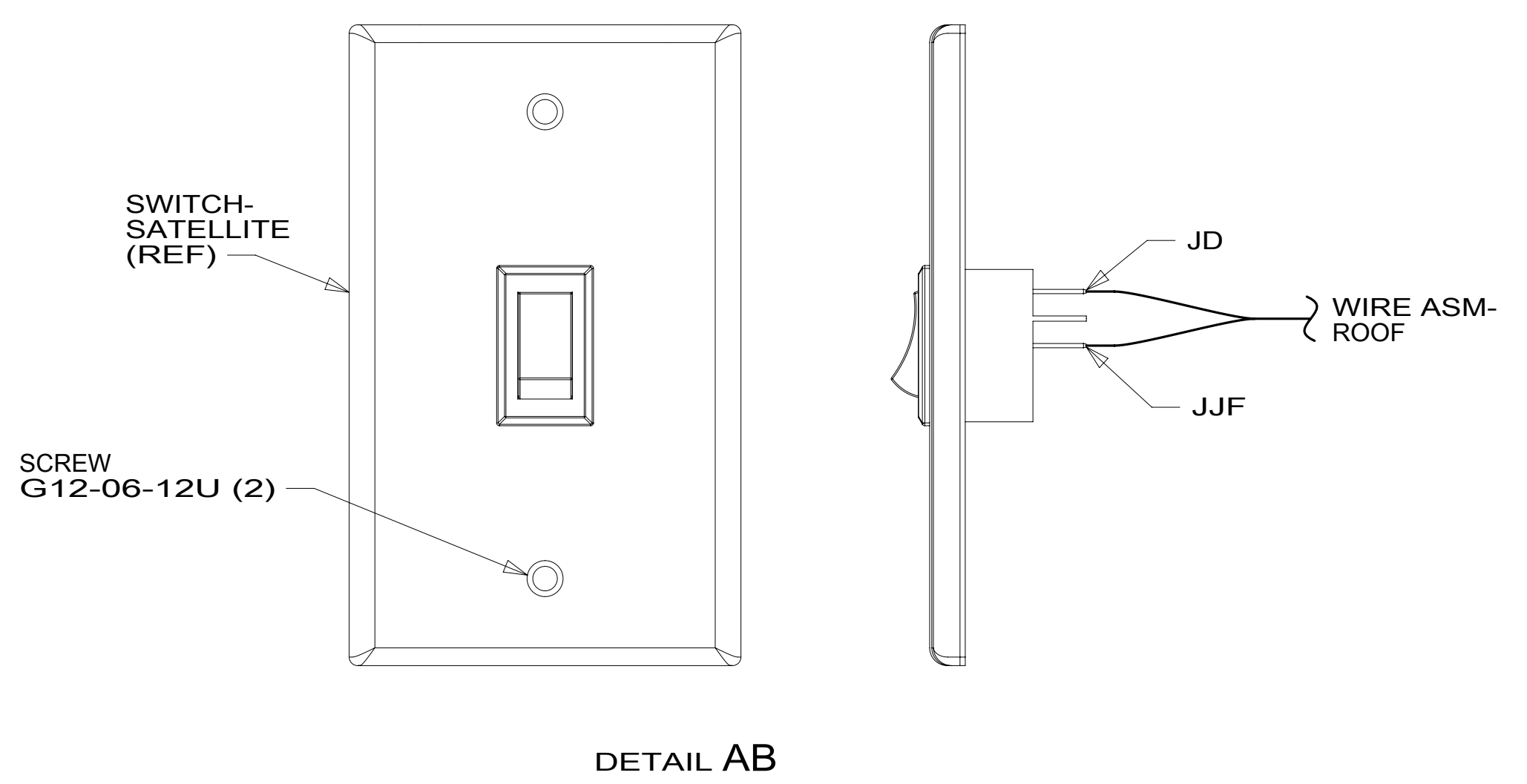
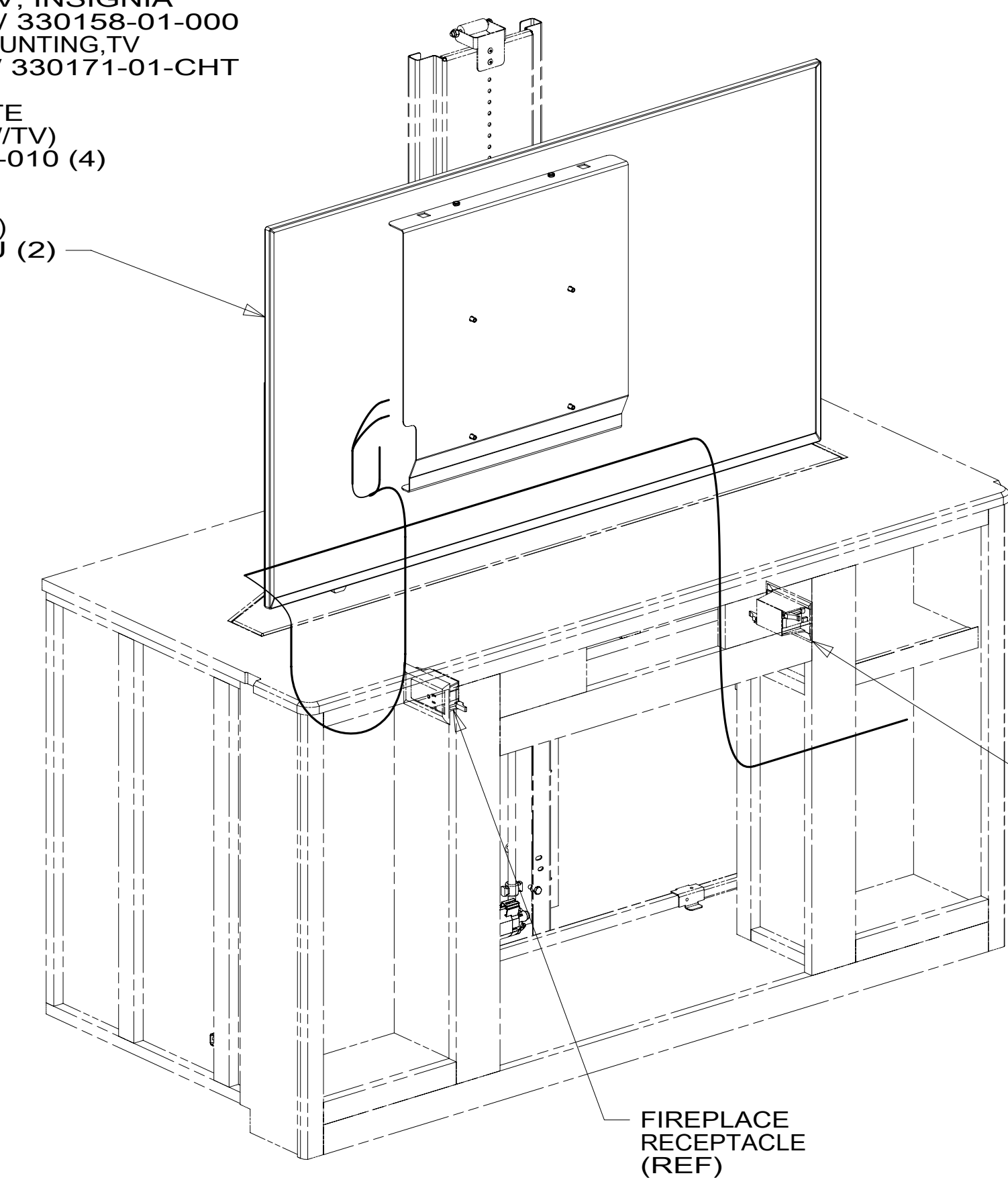
C

B

A



TV-50, HDTV, INSIGNIA
000167658 / 330158-01-000
BRACKET-MOUNTING, TV
000167695 / 330171-01-CHT
SCREW
(TV TO PLATE
SUPPLIED W/TV)
OMG02U-06-010 (4)
SCREW
(PLATE TO
TV BRACKET)
G39-10-12U (2)



- 78Z SATELLITE SYSTEM - WITHOUT
- 78K SATELLITE TV SYSTEM AUTO
- 265 CODES/STANDARDS-CSA/CMVSS
- 1B1 CODES/STANDARDS USA



DSNR:	ALL DIMENSIONS ARE IN MILLIMETERS
DIFTR:	
UNSPECIFIED TOLERANCES:	MATERIAL:
WHOLE DIM (X) : 3	
ONE-PLACE (X.X) : 1.5	
TWO-PLACE (X.XX) : 0.50	
ANGLE : 1°	
REFER TO ES0018 FOR FASTENER TIGHTENING GUIDELINES	WEIGHT: (LBS) FIRST USED: 17 D36Z

DESCRIPTION: WIRING INSTL-TV/DVD		
SHEET: 1 OF 3	ITEM/PART NO: 000033392 / 31753601000	REV:
REF: 1		16-Jul-2018

1 ATTACH TO STICK WORK USING BRACKETS AND SCREWS THAT COME WITH CONVERTER.

FOR ELECTRICAL TORQUE SPECIFICATIONS SEE DWG NO. 128783-01-000

X-X FOR ELECTRICAL CALLOUTS SEE DWG NO. 121339-01-000

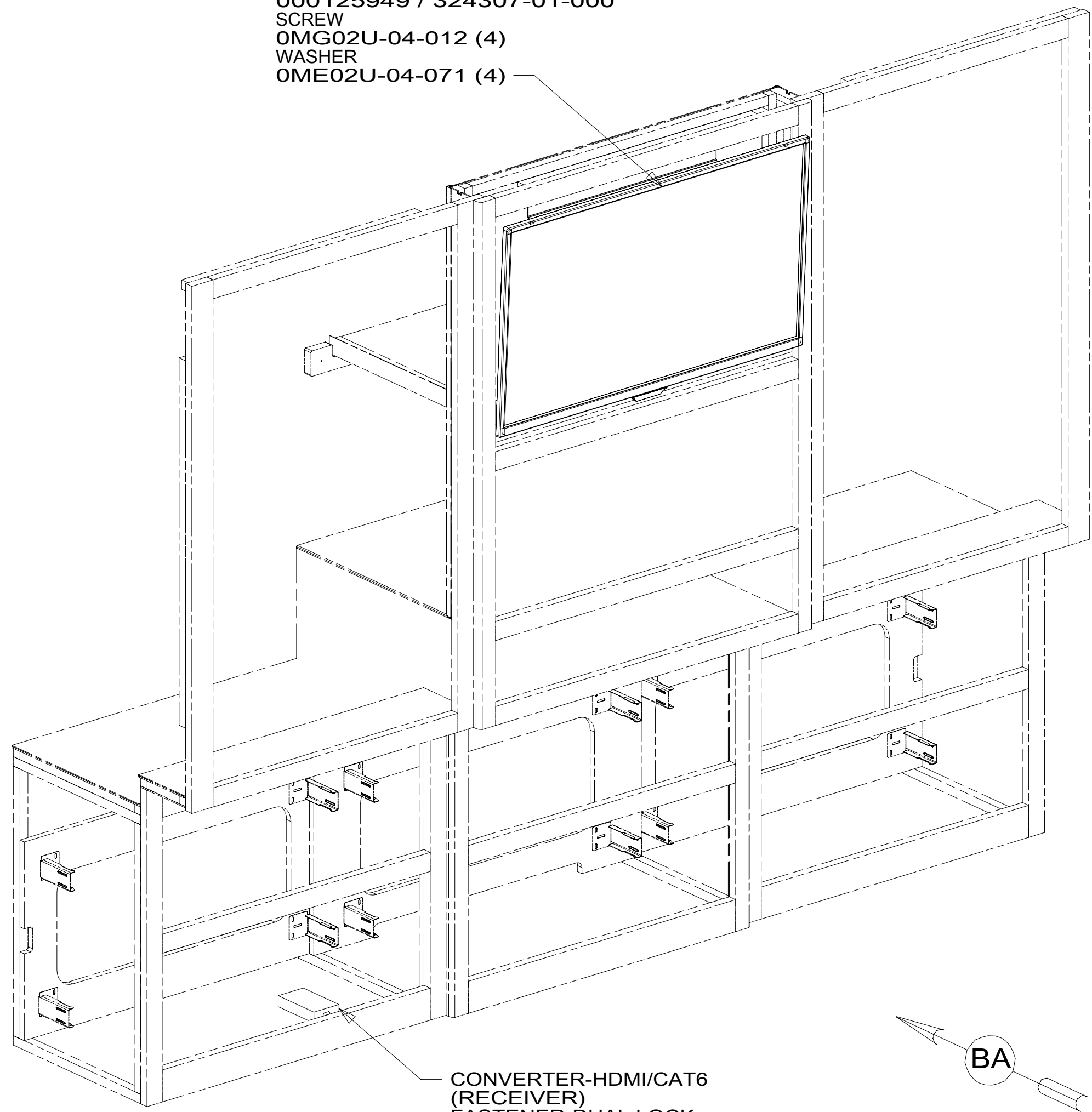
8 7 6 5 4 3 2 1

8 7 6 5 4 3 2 1

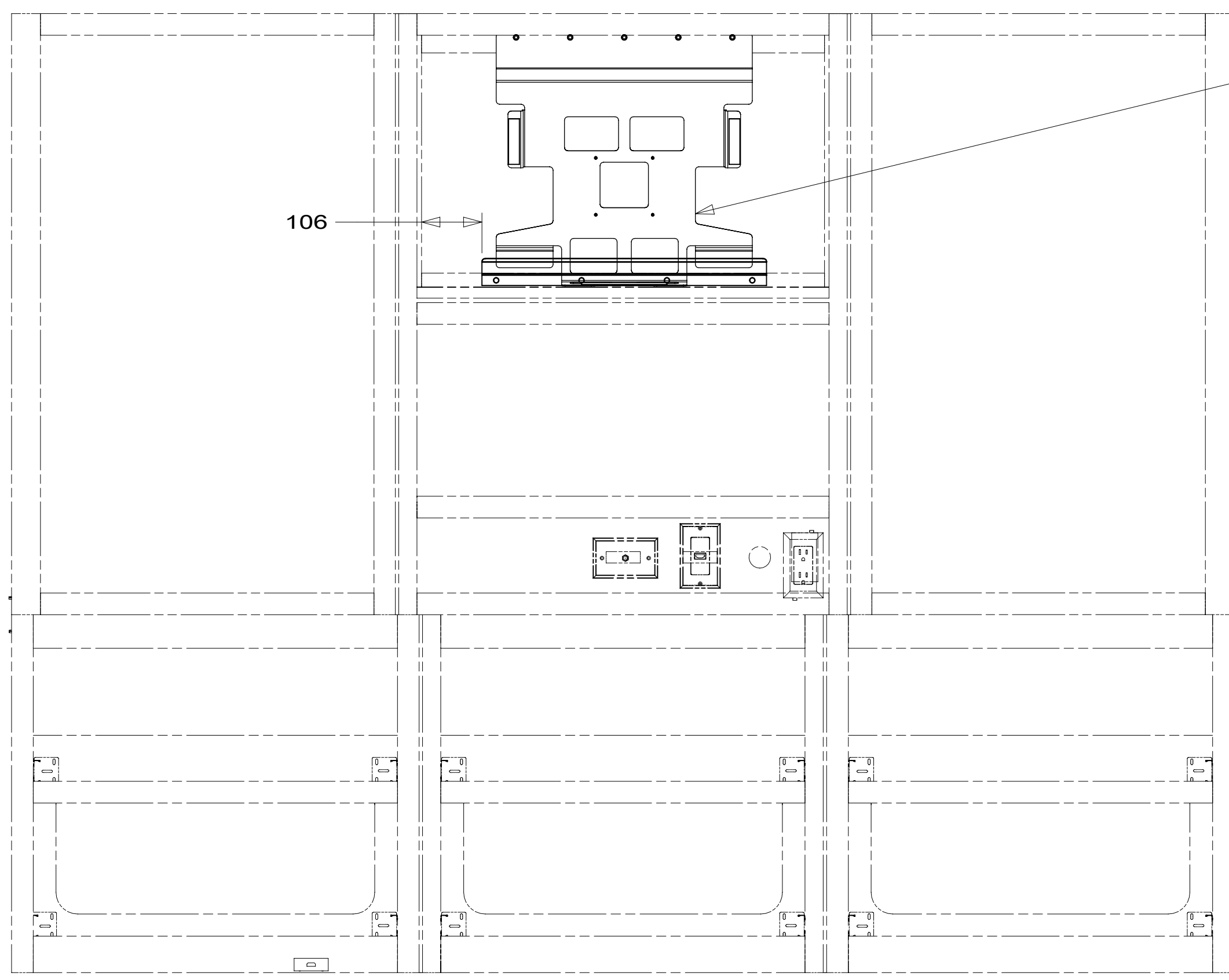
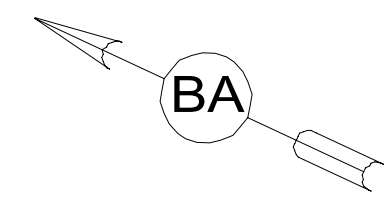
D
C
B
A

D
C
B
A

TV-32" HDTV
000125949 / 324307-01-000
SCREW
OMG02U-04-012 (4)
WASHER
OME02U-04-071 (4)



CONVERTER-HDMI/CAT6
(RECEIVER)
FASTENER-DUAL LOCK
085774-01-000 (50 MM) (2)
085774-02-000 (50 MM) (2)



VIEW BA
(TV NOT SHOWN)

BRACKET-TV, 32 INSIG
000128763 / 325071-01-CHT
SCREW
000G11-10-16U (5)
TAPE-FOAM
076322-22-000 (80 MM)(2)
TAPE-FOAM
076322-23-000 (150 MM) 1
CLIP-TRIM
130034-04-CHT
SCREW
000G11-10-16U (4)

NOTES:
1 PREP BOTH SURFACES WITH ADHESIVE-PROMOTER, 087211-01-000.

FOR ELECTRICAL
TORQUE
SPECIFICATIONS
SEE DWG NO.
128783-01-000

FOR ELECTRICAL
CALLOUTS
SEE DWG NO.
121339-01-000

265 CODES/STANDARDS-CSA/CMVSS
1B1 CODES/STANDARDS USA

DESCRIPTION: WIRING INSTL-TV/DVD	
SHEET: 2 OF 3	ITEM/PART NO: 000033392 / 31753601000
REV 16-Jul-2018	

8 7 6 5 4 3 2 1

