

8 7 6 5 4 3 2 1

D

D

C

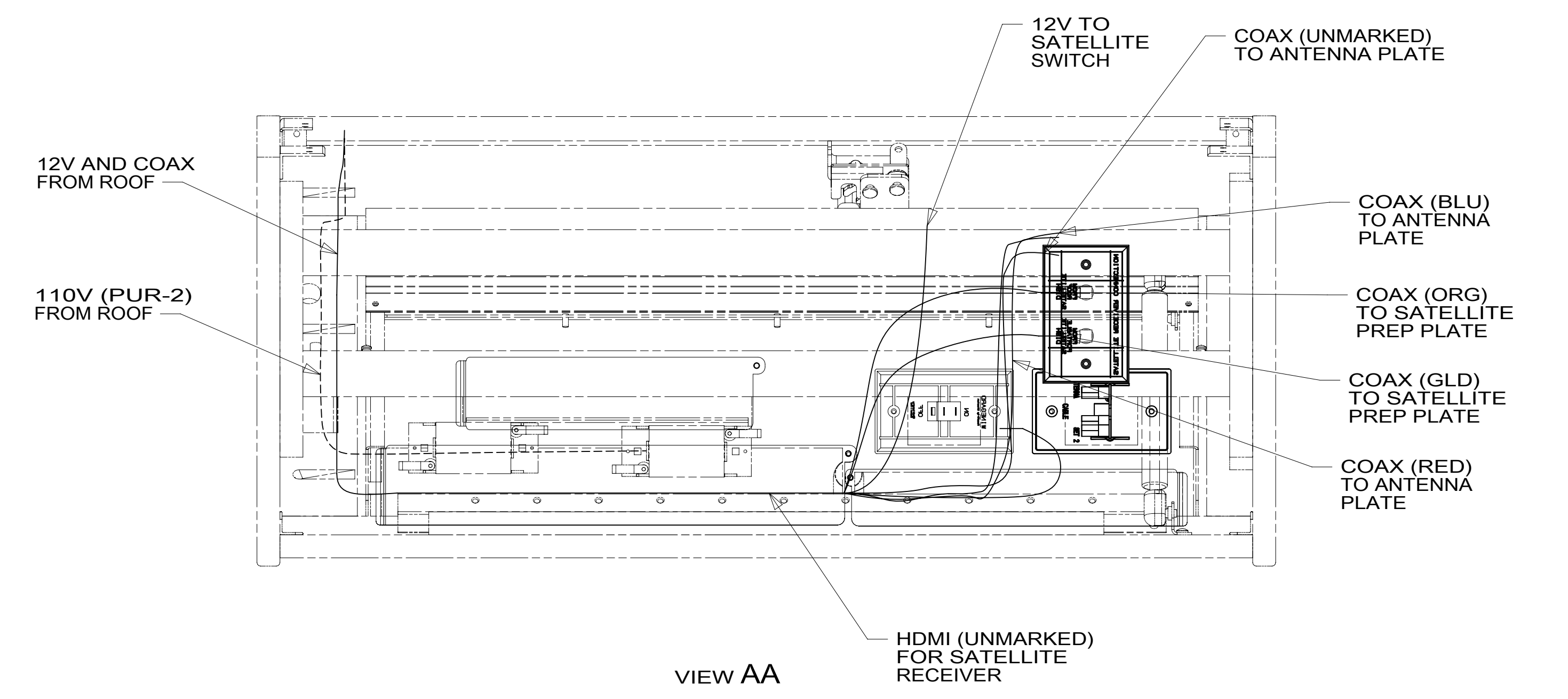
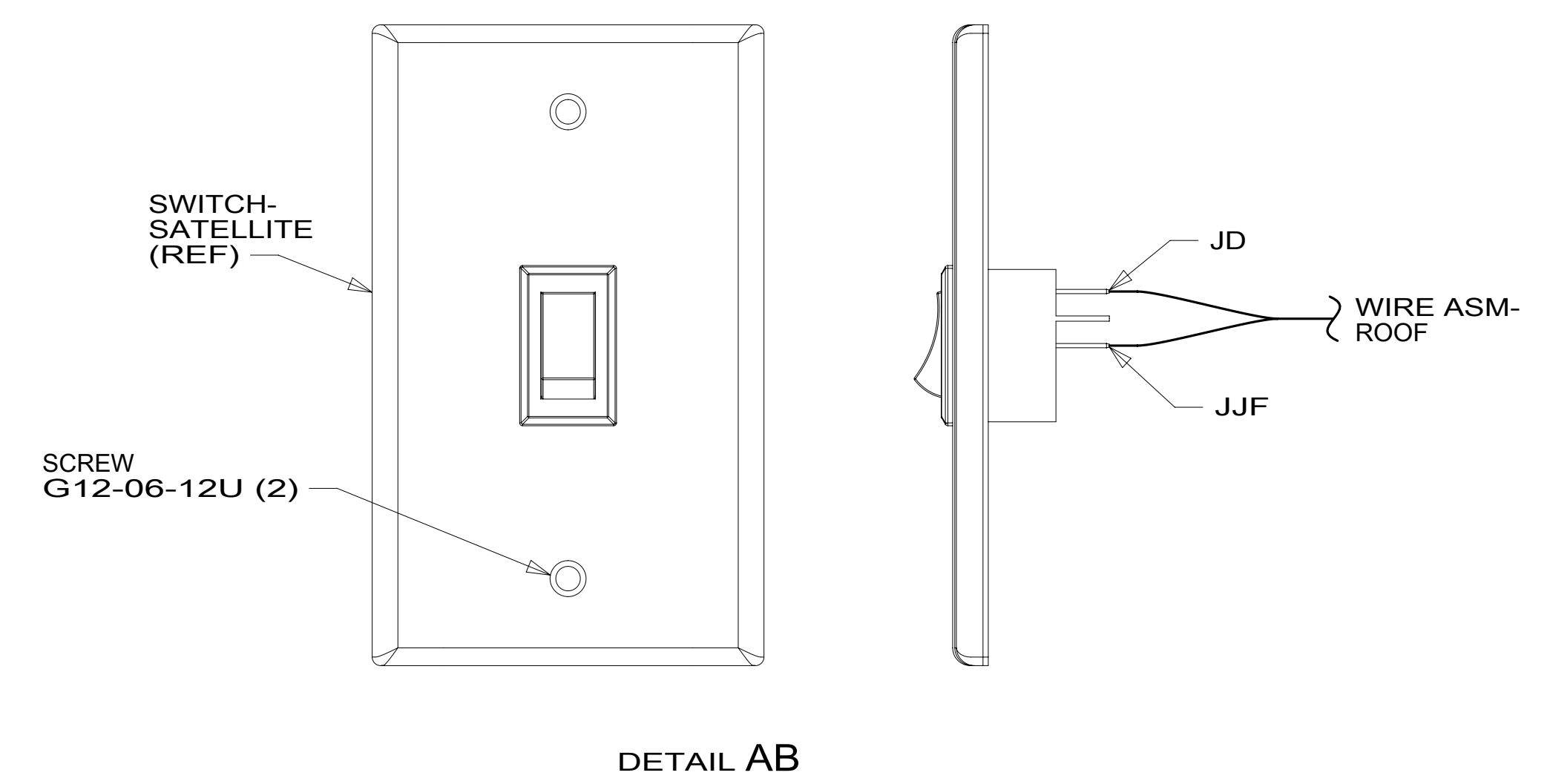
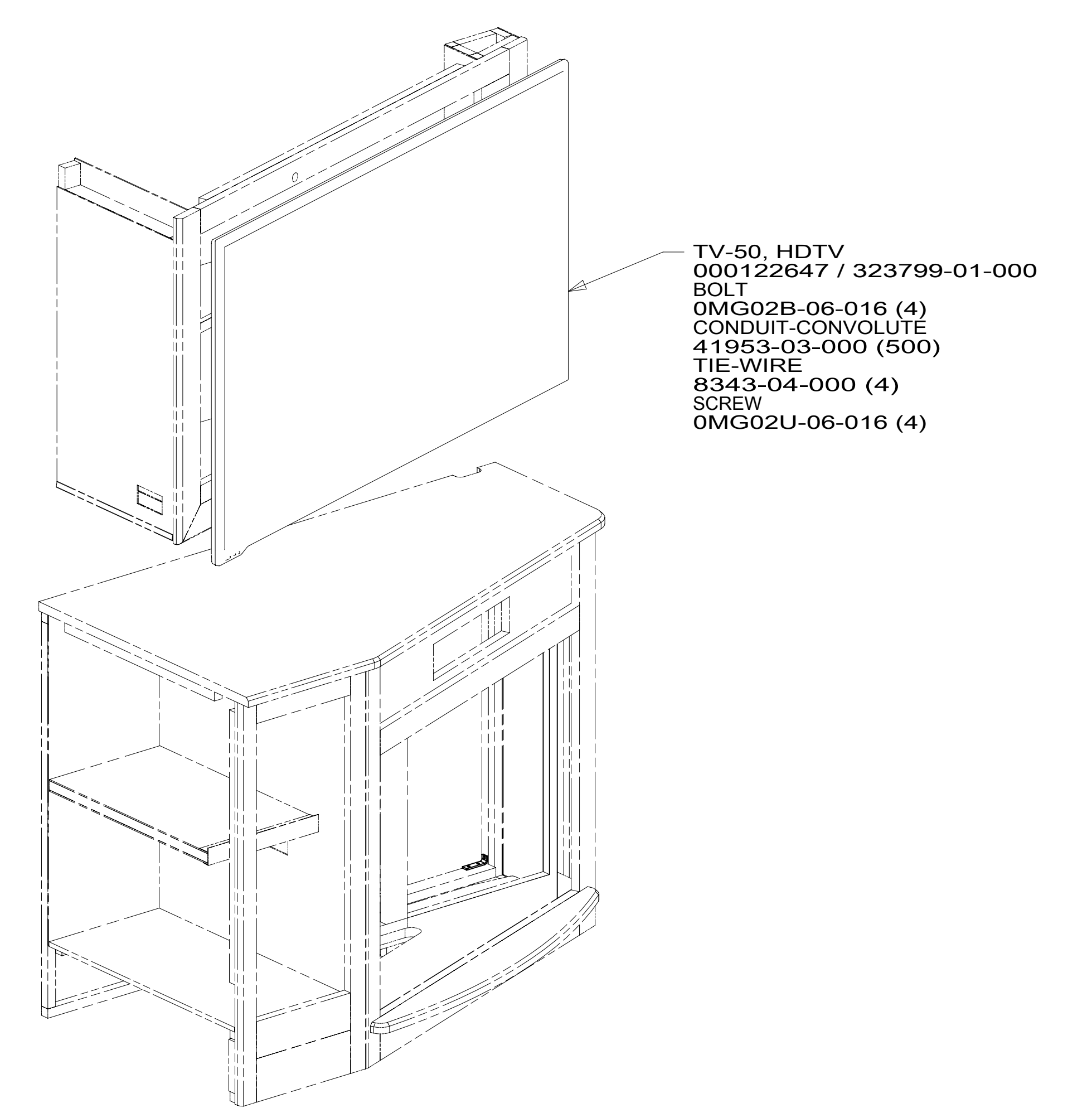
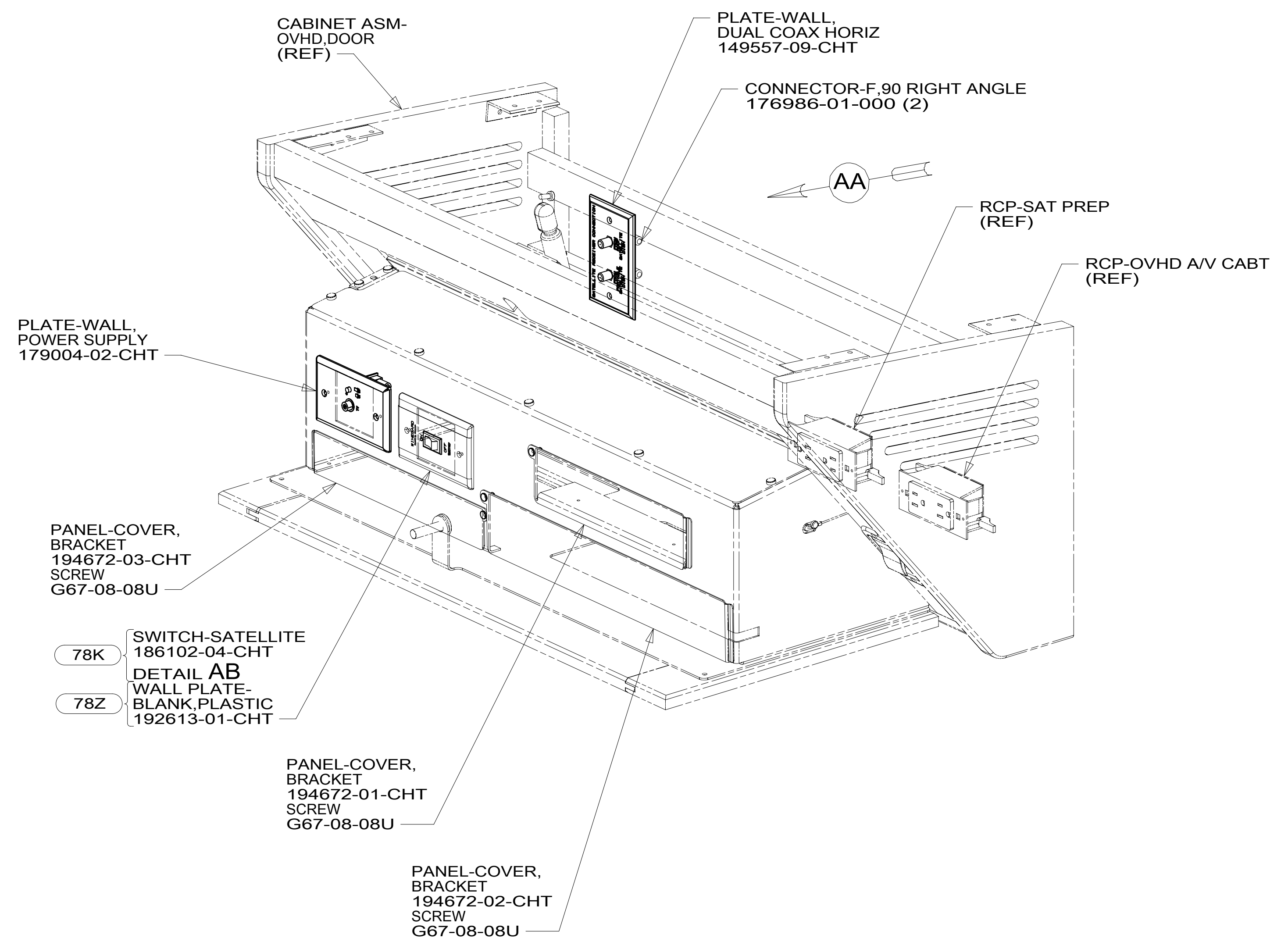
C

B

B

A

A



FOR ELECTRICAL TORQUE SPECIFICATIONS SEE DWG NO. 128783-01-000

FOR ELECTRICAL CALLOUTS SEE DWG NO. 121339-01-000

- 78Z SATELLITE SYSTEM - WITHOUT
 - 78K SATELLITE TV SYSTEM AUTO
 - 265 CODES/STANDARDS-CSA/CMVSS
 - 1B1 CODES/STANDARDS USA
- 1B1 265



| | | | |
|--|-------------------------|-----------------------------------|-------------|
| DSNR: | | ALL DIMENSIONS ARE IN MILLIMETERS | |
| DFFR: | | MATERIAL: | |
| UNSPECIFIED TOLERANCES: | | WEIGHT: (LBS) | FIRST USED: |
| WHOLE DIM (X) | : 3 | | 17 D35G |
| ONE-PLACE (X.X) | : 1.5 | | |
| TWO-PLACE (X.XX) | : 0.50 | | |
| ANGLE | : 1° | | |
| REFER TO ES0018 FOR FASTENER TIGHTENING GUIDELINES | | | |
| DESCRIPTION: WIRING INSTL-TV/DVD | | | |
| SHEET: | ITEM/PART NO.: | REV: | |
| 1 OF 3 | 000032551 / 31724101000 | | |
| REF: | | 1 17-Jul-2017 | |

8 7 6 5 4 3 2 1

8 7 6 5 4 3 2 1

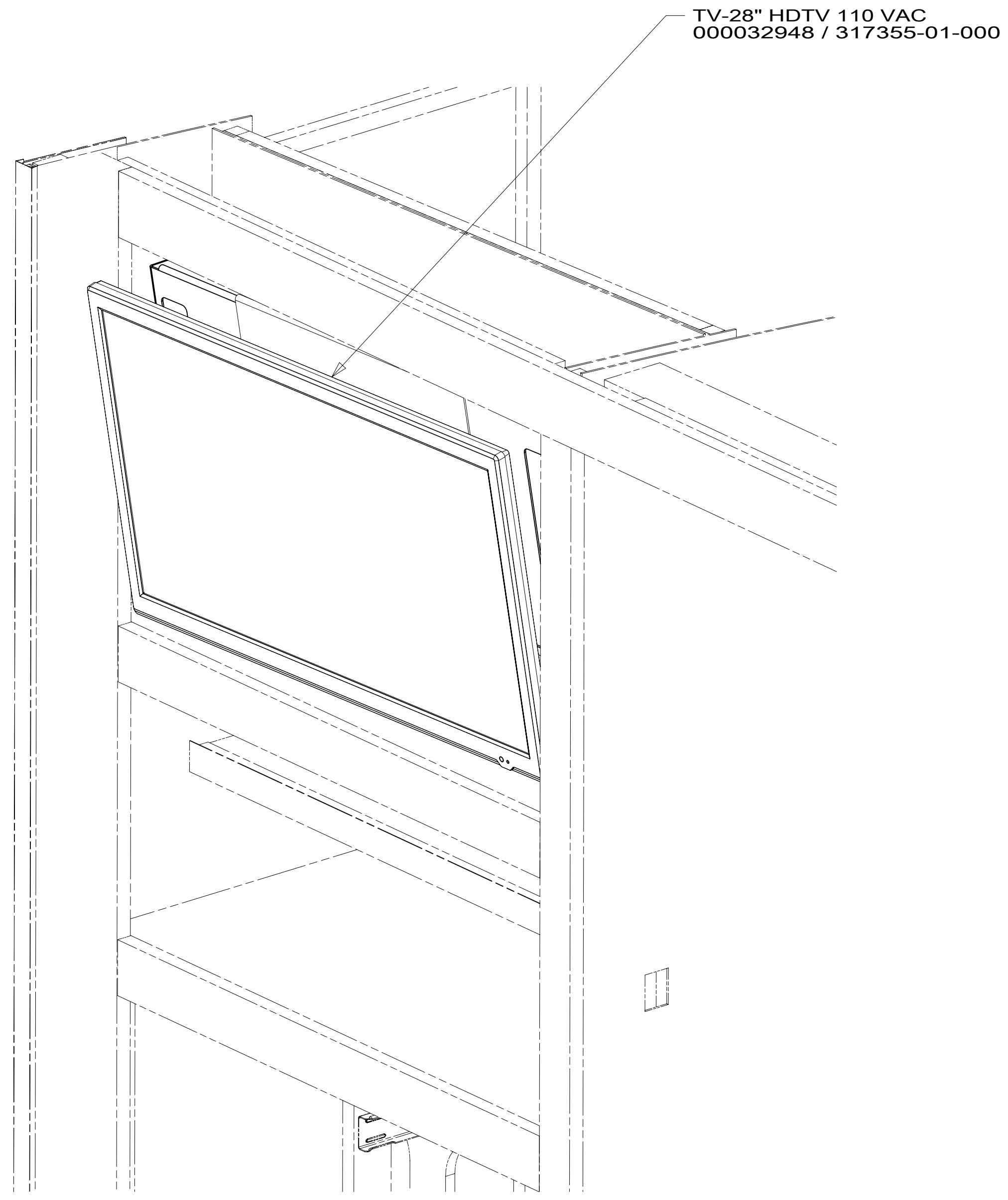
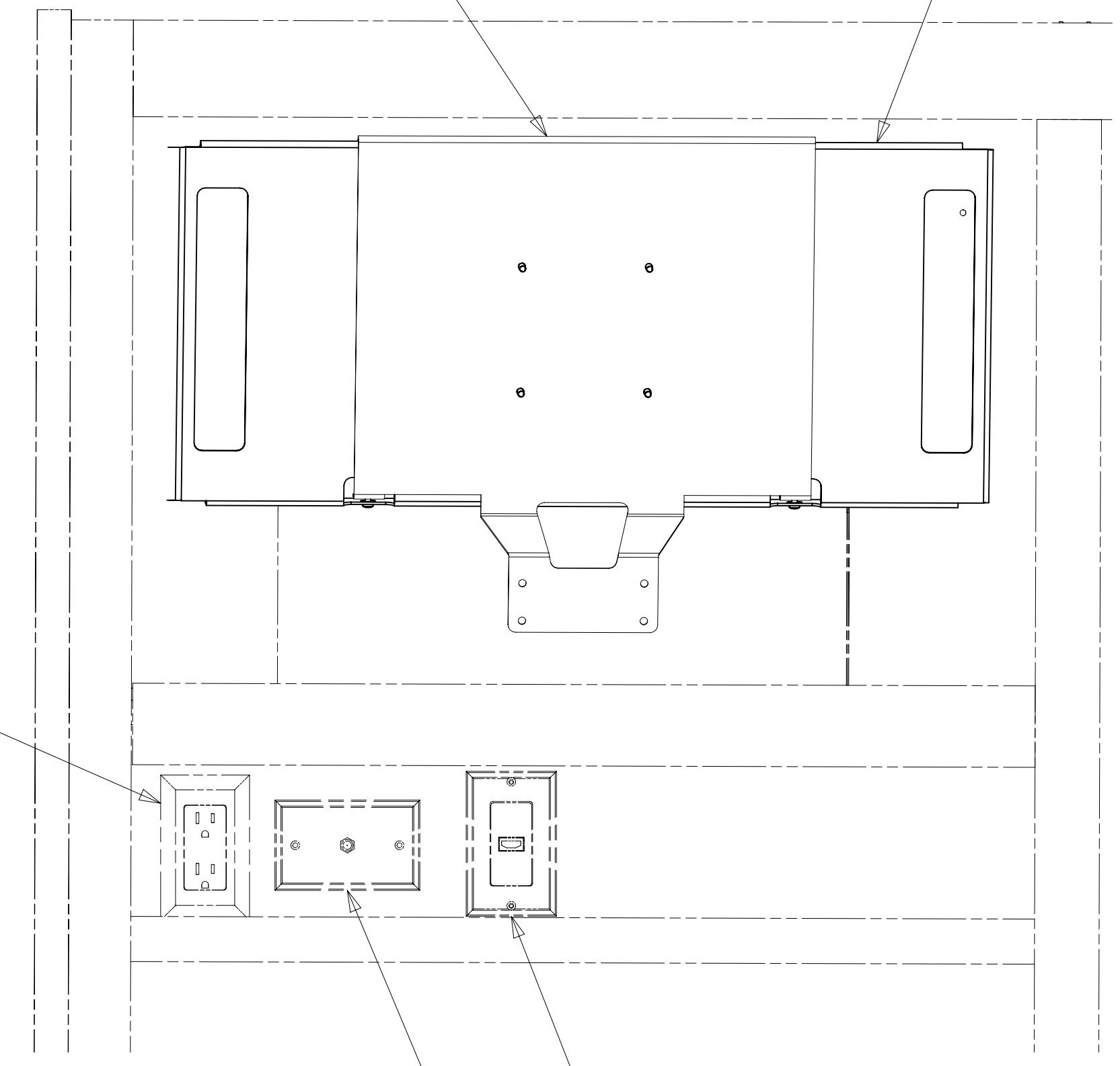
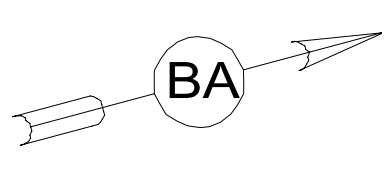


PLATE-MOUNTING,TV,28\"RCA
 000037837 / 31867701CHT
 SCREW-MS,M5X0,8X12PPH
 0MG02U-05-012 (4) (VESA)
 SCREW (LWR SUPPORT)
 (SUPPLIED W/ TV)
 SCREW-SF/DR-8-18X.75 PPH
 000G39-08-12U (2)

SUPPORT-MOUNTING,TV
 166616-10-CHT
 SCREW
 G39-08-12U (6)



RCP-BDRM TV (REF)

TV-WALL PLATE (REF)

SATELLITE-PLATE (REF)

VIEW BA (TV NOT SHOWN)

D
C
B
A

D
C
B
A

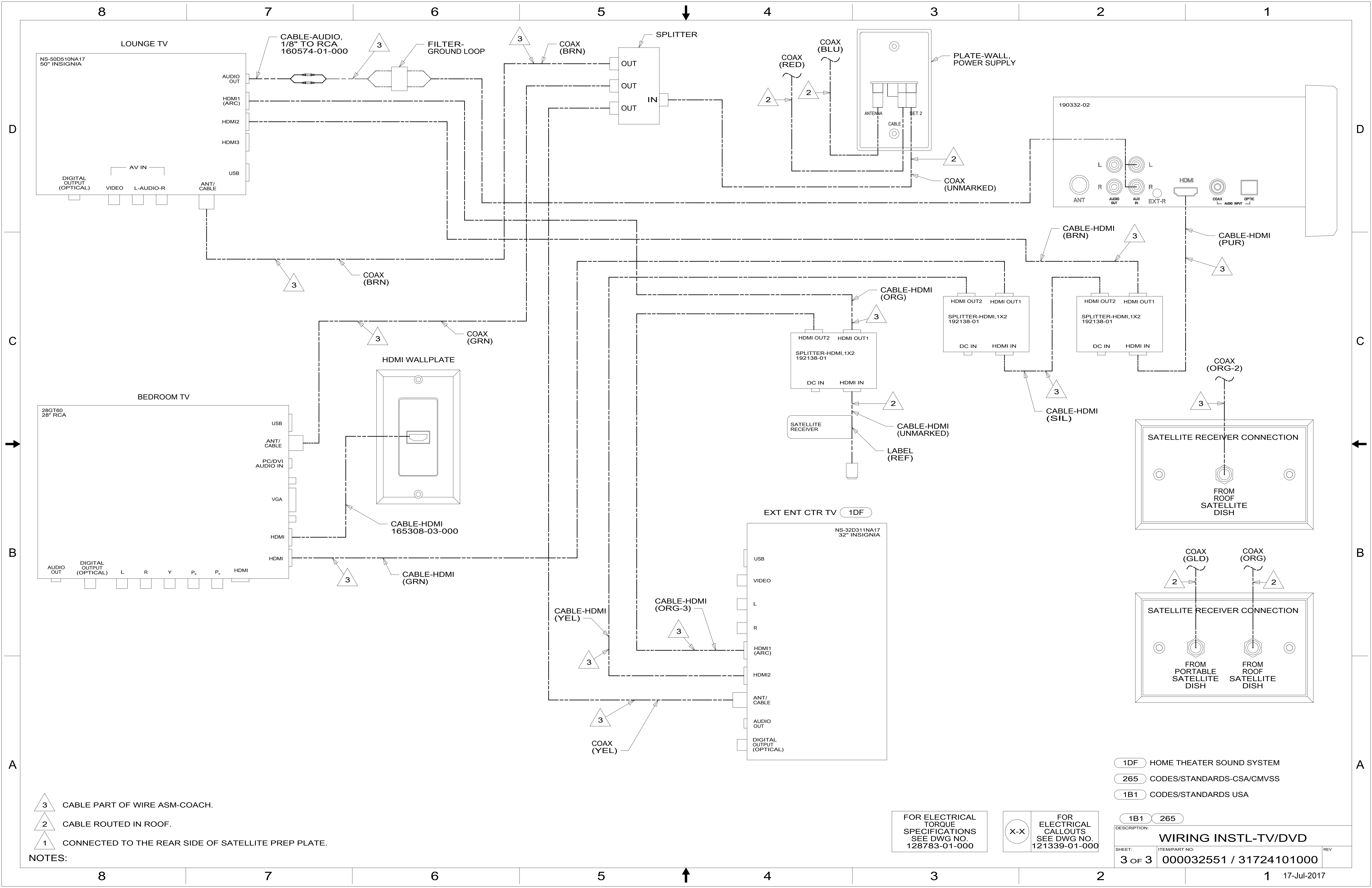
- 61M TV(REAR)-28" COLOR STEREO
- 265 CODES/STANDARDS-CSA/CMVSS
- 1B1 CODES/STANDARDS USA

FOR ELECTRICAL TORQUE SPECIFICATIONS SEE DWG NO. 128783-01-000

FOR ELECTRICAL CALLOUTS SEE DWG NO. 121339-01-000

| | | |
|---|---------------------------------------|-----|
| DESCRIPTION: WIRING INSTL-TV/DVD | | |
| SHEET: 2 OF 3 | ITEM/PART NO: 000032551 / 31724101000 | REV |

8 7 6 5 4 3 2 1 17-Jul-2017



- NOTES:
- 3 CABLE PART OF WIRE ASM-COACH.
 - 2 CABLE ROUTED IN ROOF.
 - 1 CONNECTED TO THE REAR SIDE OF SATELLITE PREP PLATE.

FOR ELECTRICAL TORQUE SPECIFICATIONS SEE DWG NO. 128783-01-000

FOR ELECTRICAL CALLOUTS SEE DWG NO. 121339-01-000

- 1DF HOME THEATER SOUND SYSTEM
- 265 CODES/STANDARDS-CSA/CMVSS
- 1B1 CODES/STANDARDS USA

| | | | |
|--------------|-------------------------|----------------------------|--|
| DESCRIPTION: | | WIRING INSTL-TV/DVD | |
| SHEET: | ITEM/PART NO.: | REV: | |
| 3 OF 3 | 000032551 / 31724101000 | | |