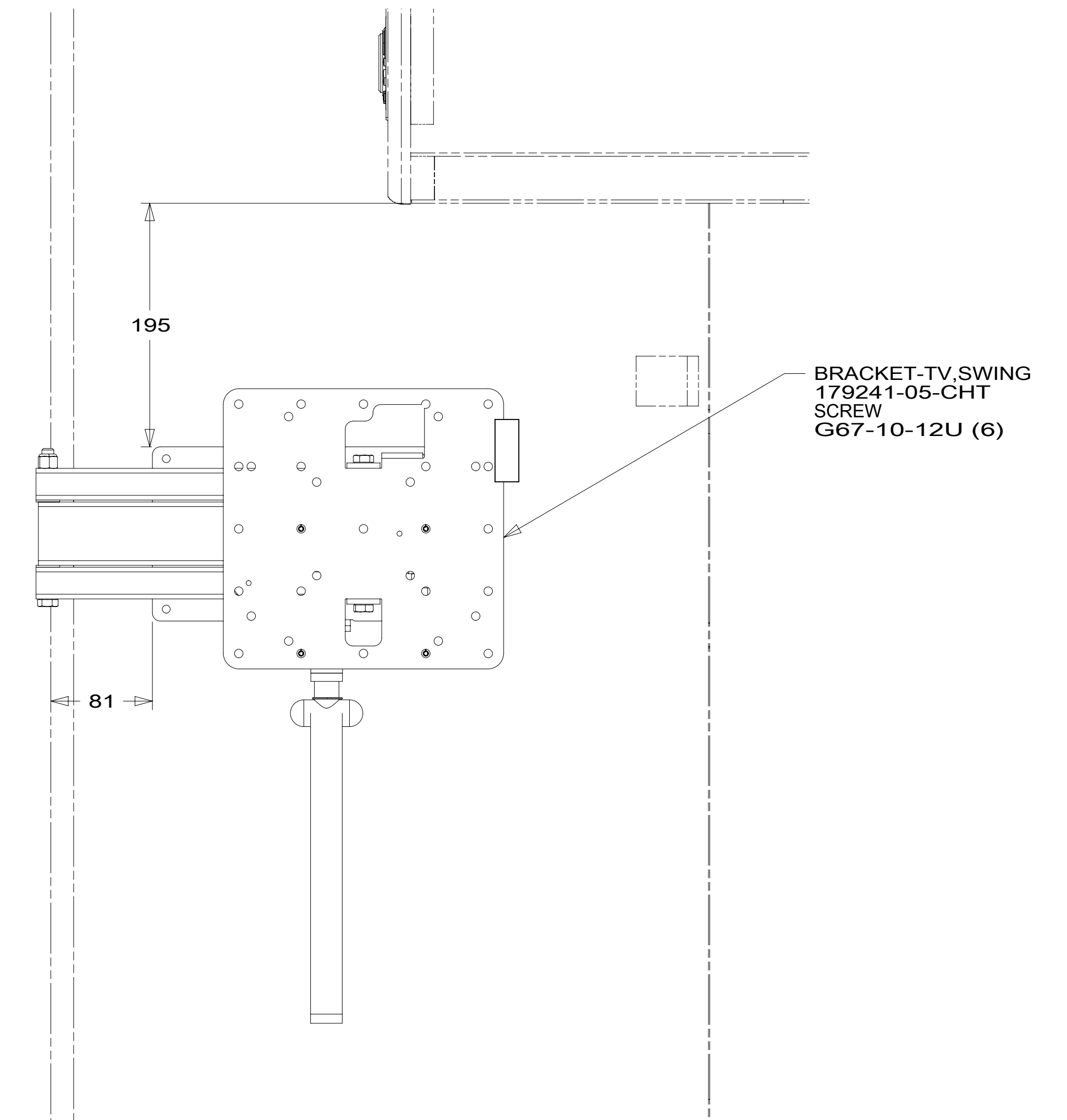
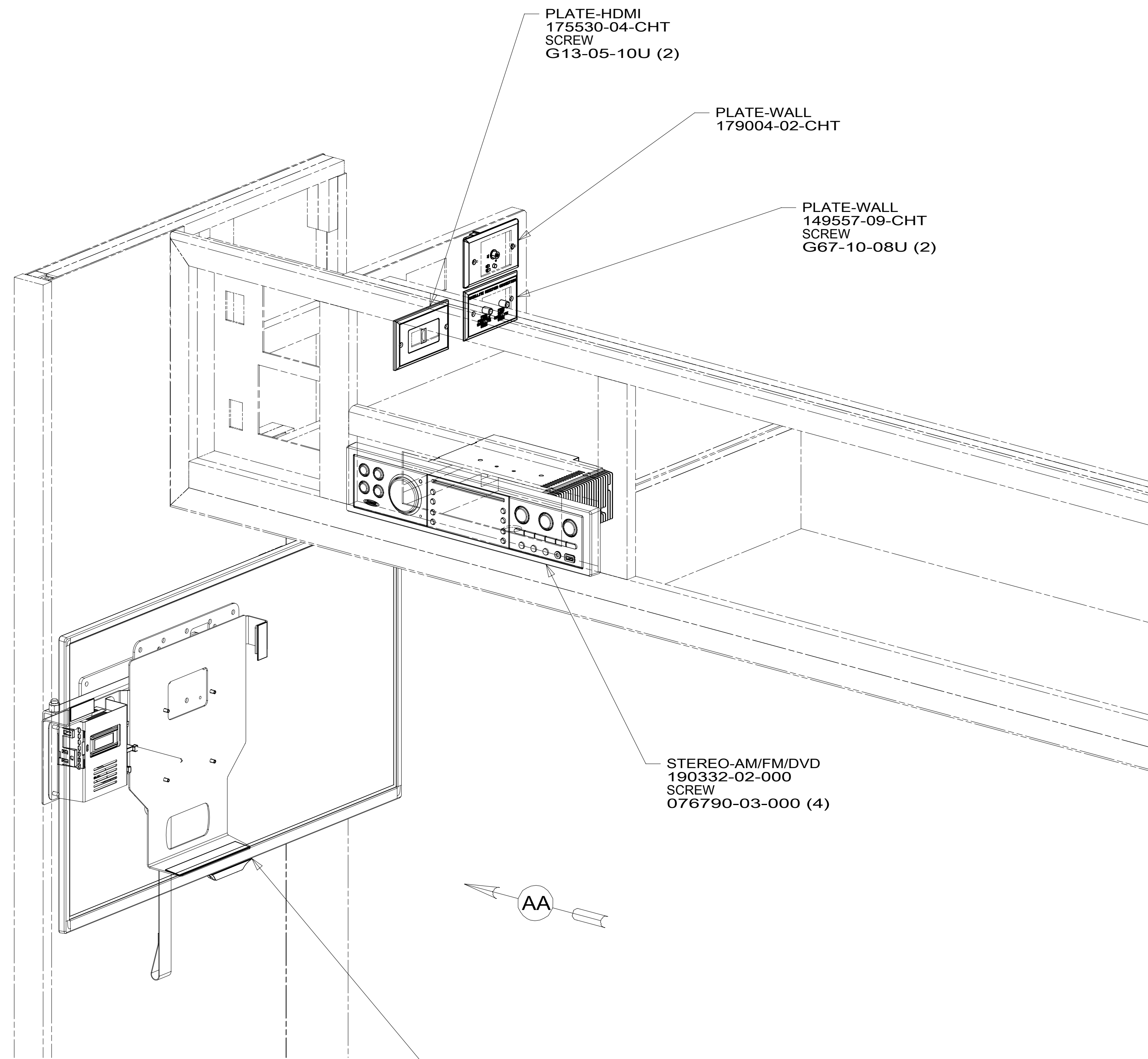


8 7 6 5 4 3 2 1

D
C
B
A

D
C
B
A



VIEW AA
(TV NOT SHOWN)

- 68G TV-28" COLOR,STEREO W/REMOTE
- 265 CODES/STANDARDS-CSA/CMVSS
- 1B1 CODES/STANDARDS USA

1B1 265 68G



DSNR:	ALL DIMENSIONS ARE IN MILLIMETERS	
DFFR:	MATERIAL:	
UNSPECIFIED TOLERANCES:		
WHOLE DIM (X)	: 3	
ONE-PLACE (X.X)	: 1.5	
TWO-PLACE (X.XX)	: 0.50	
ANGLE	: 1°	
REFER TO ES0018 FOR FASTENER TIGHTENING GUIDELINES	WEIGHT: (LBS)	FIRST USED:
		17 623D

WIRING INSTL-TV/DVD

SHEET:	ITEM/PART NO.:	REV:
1 OF 2	000031231 / 31692501000	
REF:		

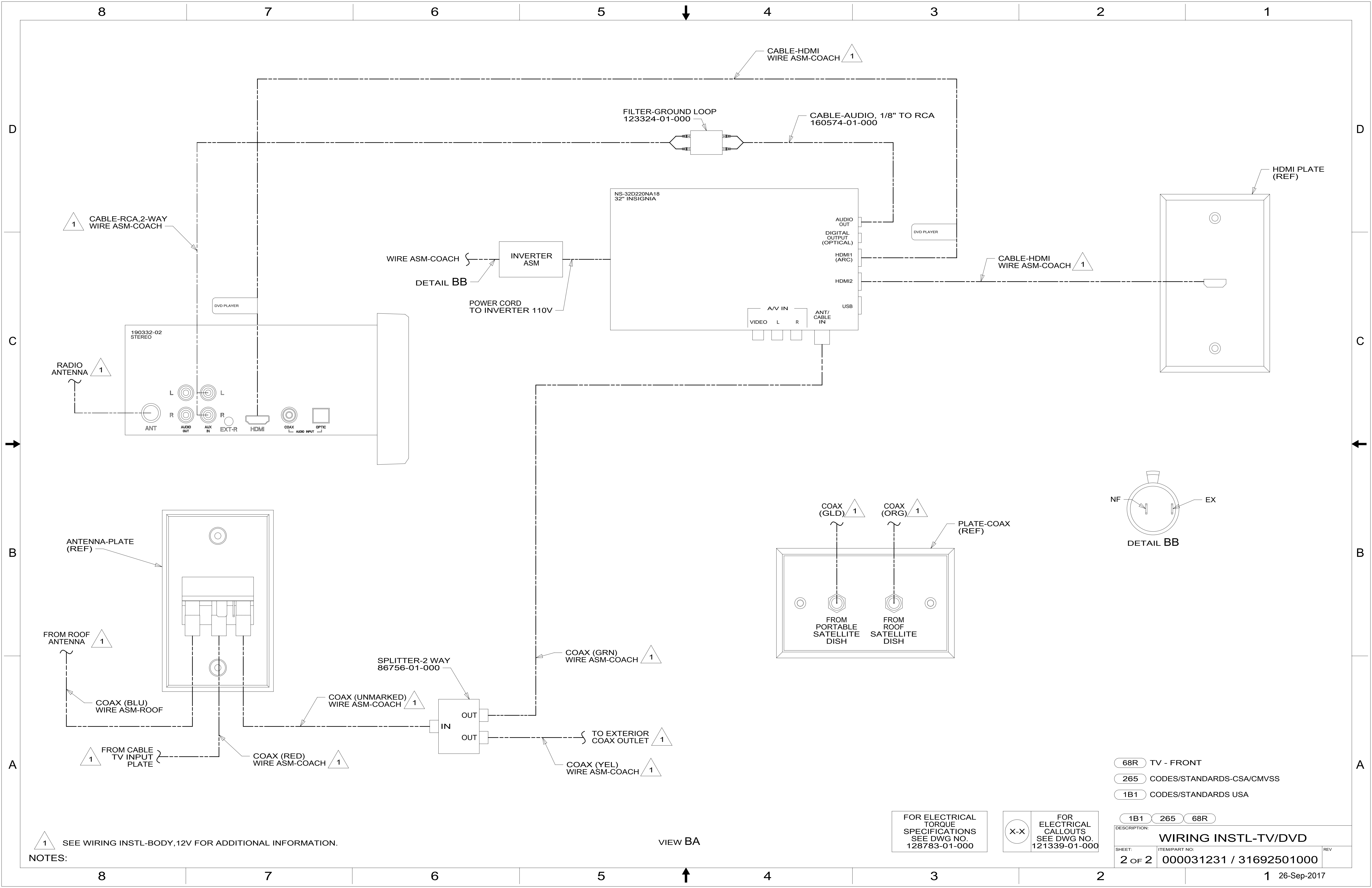
FOR ELECTRICAL TORQUE SPECIFICATIONS SEE DWG NO. 128783-01-000

FOR ELECTRICAL CALLOUTS SEE DWG NO. 121339-01-000

¹ PREP BOTH SURFACES WITH ADHISIVE-PROMOTER 087211-01-000.

NOTES:

8 7 6 5 4 3 2 1



NOTES:
 1 SEE WIRING INSTL-BODY, 12V FOR ADDITIONAL INFORMATION.

VIEW BA

FOR ELECTRICAL TORQUE SPECIFICATIONS SEE DWG NO. 128783-01-000

FOR ELECTRICAL CALLOUTS SPECIFICATIONS SEE DWG NO. 121339-01-000

- 68R TV - FRONT
- 265 CODES/STANDARDS-CSA/CMVSS
- 1B1 CODES/STANDARDS USA

DESCRIPTION: WIRING INSTL-TV/DVD		
SHEET: 2 OF 2	ITEM/PART NO: 000031231 / 31692501000	REV