

FRONT OF COACH

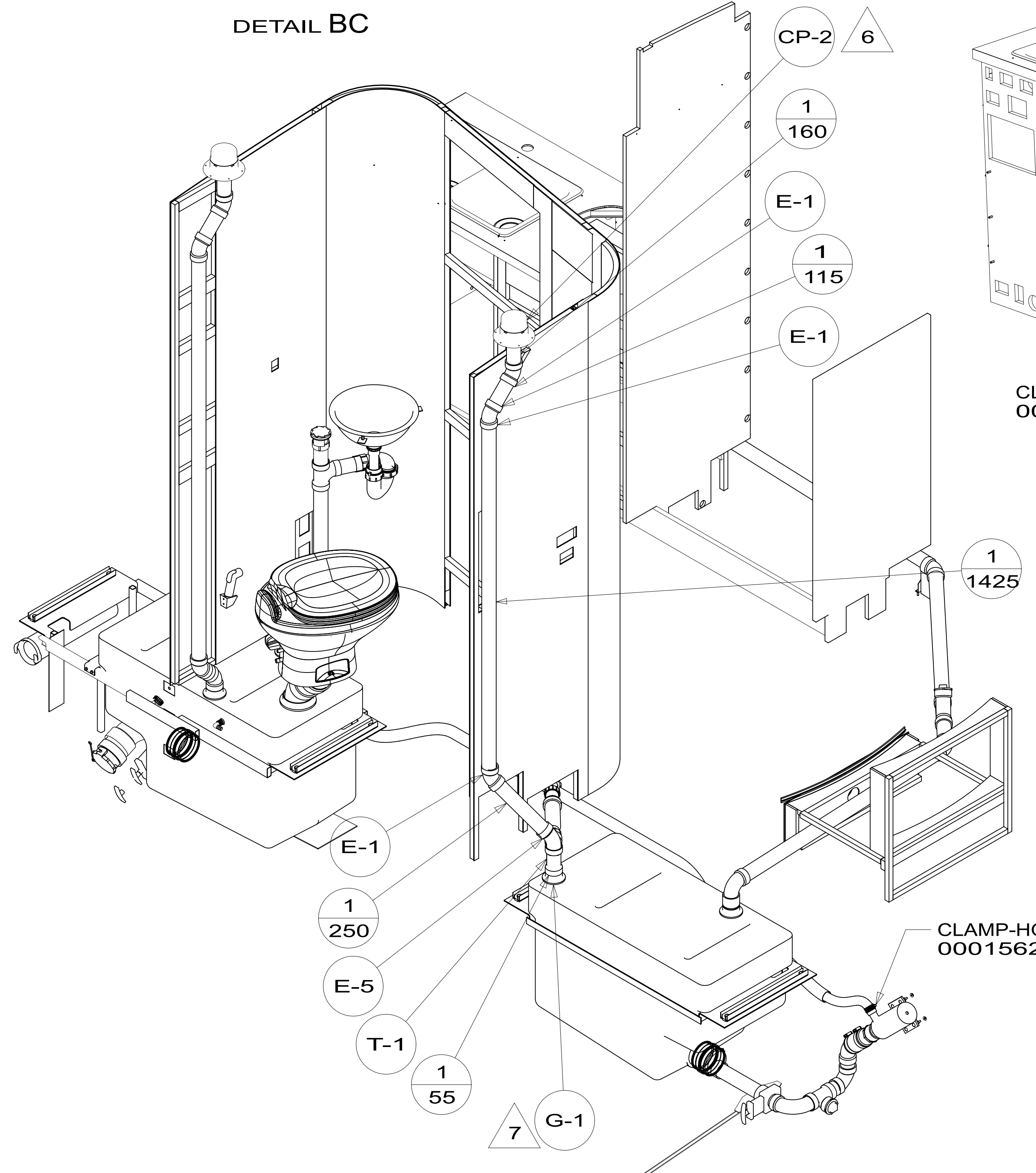
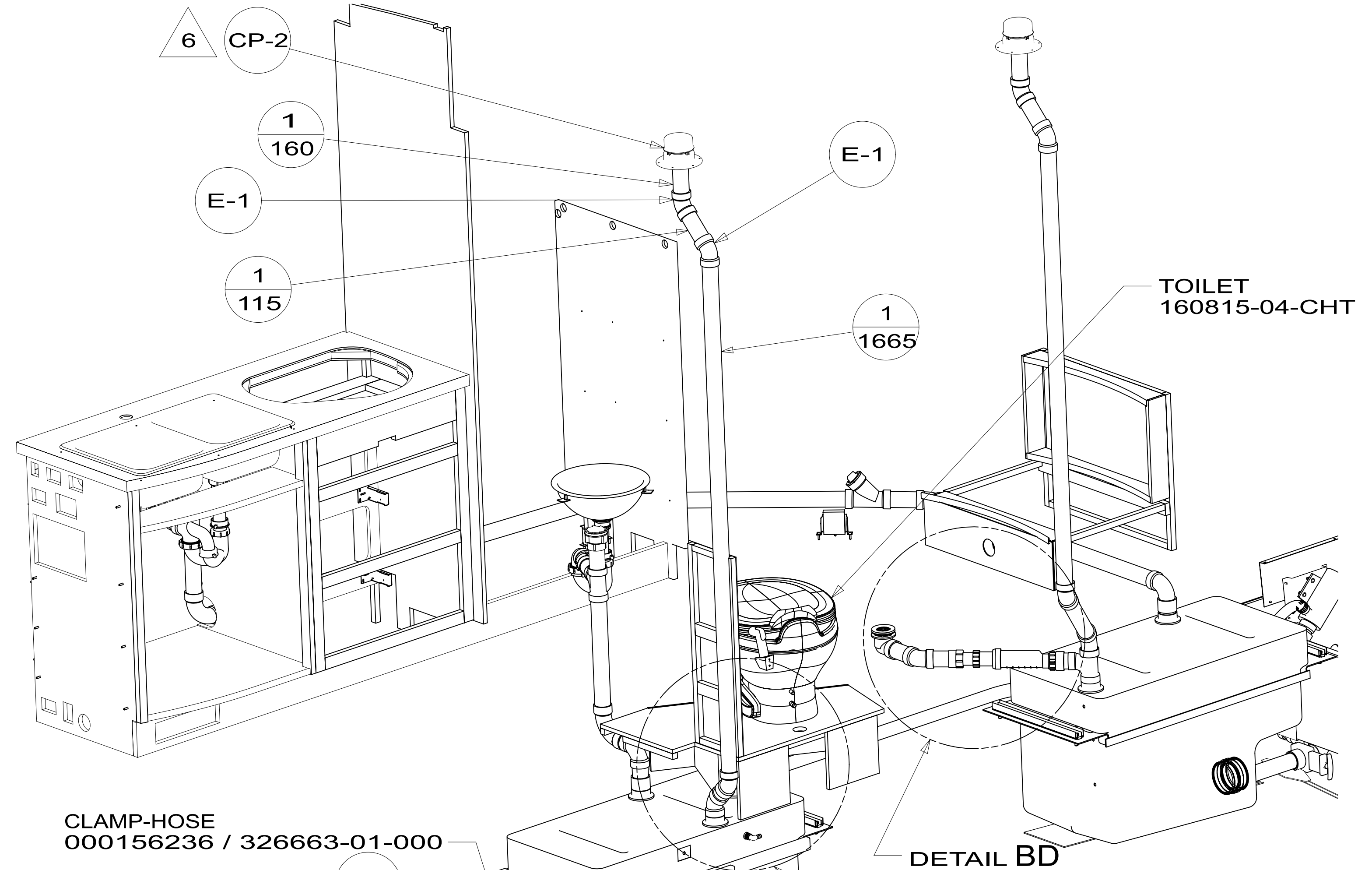
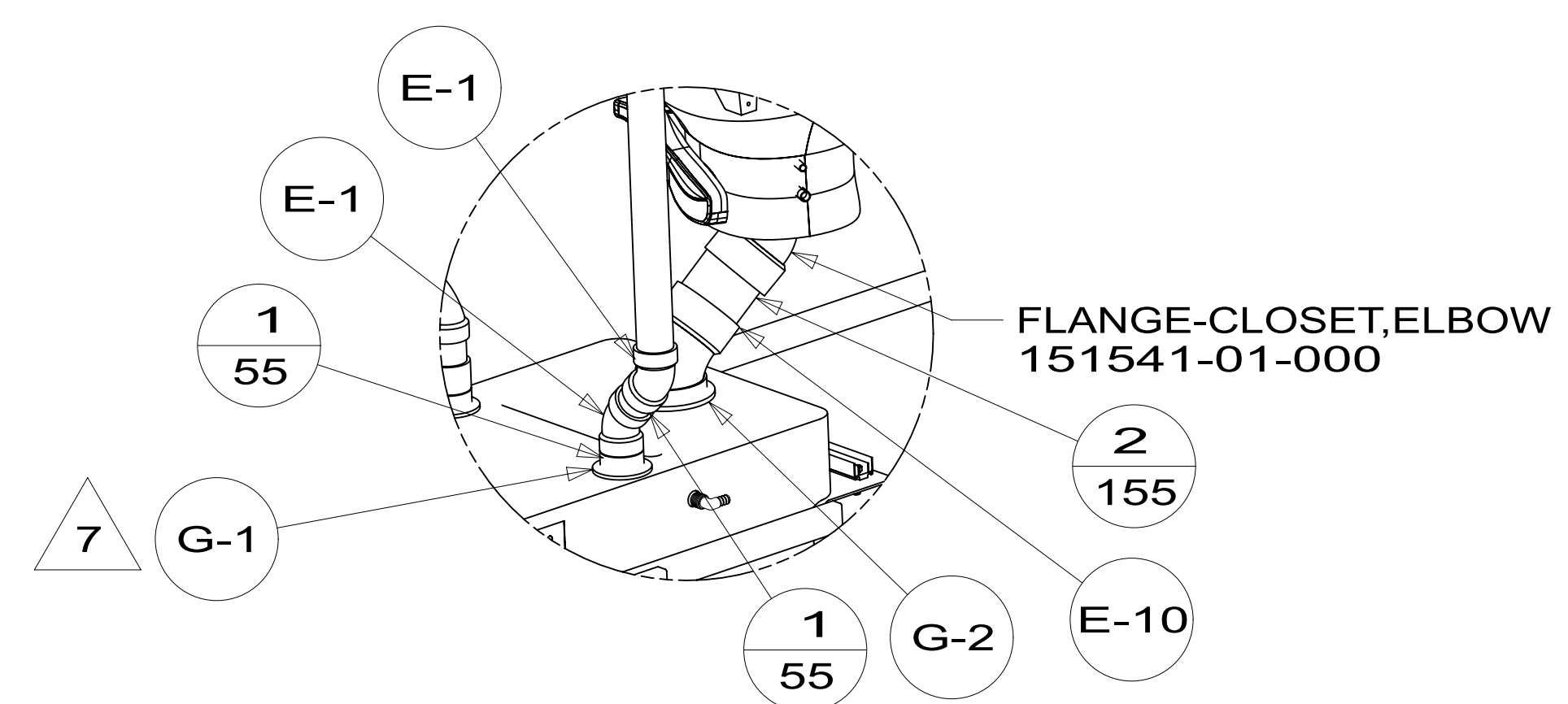
- 12. REPLACE SUPPLIED STUD AND WINGNUT WITH FASTENER AND INSTALL WITH SUPPLIED RETAINING ANGLE.
- 11. USE SMOOTH PLUMBERS PUTTY 167459-01-000 TO SEAL STRAINER (0.2 PER STRAINER).
- 10. REMOVE SWIVEL NUT ON TRAP-WATERLESS 165406-01-000 AND CONNECT A-10.
- 9. PREP THE SURFACE PER MANUFACTURERS INSTRUCTIONS, THEN APPLY ADHESIVE 067788-04-000 (0.10) ON PREPARED AREA BEFORE APPLYING THE HEATING PAD PER MANUFACTURERS INSTRUCTIONS.
- 8. FOLLOW SEWAGE MACERATOR PUMP WINTERIZATION PROCEDURE. EACH PUMP REQUIRES TWO GALLONS OF RV ANTIFREEZE 182955-01-000.
- 7. SECURE VENT PIPE TO FLOOR WITH CLAMP 000156237 / 326663-02-000 (2), SCREW 000G67-10-12U (2), BRACKET 136878-01-CHT (2).
- 6. VENT PIPE MUST PROJECT 51 MIN AND 64 MAX ABOVE ROOF FOR PROPER FIT AND FUNCTION. ADD S-1 (000156099 / 326607-01-CHT SEAL-VENT PIPE) AROUND PIPE ON ROOF BEFORE VENT CAP IS INSTALLED.
- 5. SEAL AROUND SHOWER WITH SILICONE.
- 4. SECURE DRAINAGE PIPES TO CABINET USING WIRE TIE 108046-02-000, AND SCREW 000G67-10-12U AT INTERVALS OF NOT MORE THAN 4 FEET APART.
- 3. ALL PIPE AND FITTINGS TO BE ASSEMBLED WITH SOLVENT 004020-01-000 (USA), 004020-02-000 (CAN)
- 2. SLOPE OF TRAP ARM MUST BE 6 PER 305 mm.
- 1. SLOPE OF HORIZONTAL PIPING TO BE MINIMUM OF 3 PER 305 mm.

- 1JD DRAINAGE SYSTEM-HEATED-W/O
- 23T DRAINAGE SYSTEM-HEATED
- 265 CODES/STANDARDS-CSA/CMVSS
- 1B1 CODES/STANDARDS USA

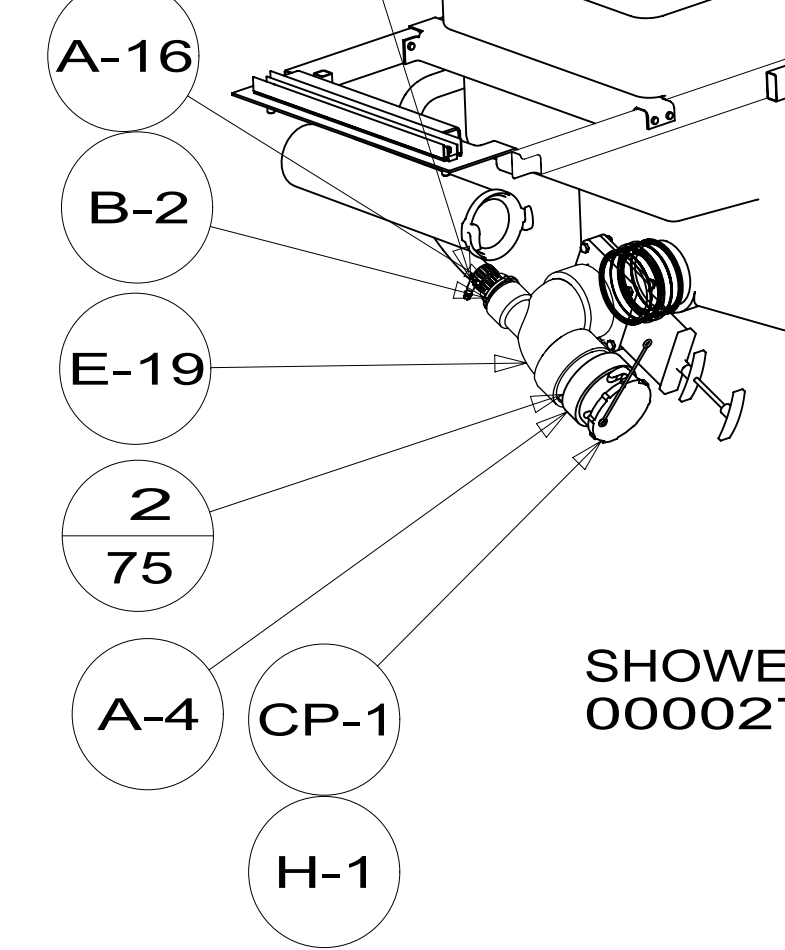
**WINNEBAGO**<sup>®</sup>  
COPYRIGHT 2022 WINNEBAGO INDUSTRIES, INC.

DSNR:		ALL DIMENSIONS ARE IN MILLIMETERS	
DFTR:			
UNSPECIFIED TOLERANCES:		MATERIAL:	
WHOLE DIM (X)	3		
ONE-PLACE (X.X)	1.5		
TWO-PLACE (X.XX)	0.50		
ANGLE	1°		
REFER TO ES0018 FOR FASTENER TIGHTENING GUIDELINES		WEIGHT: (LBS)	FIRST USED: (REF)
			<b>17 524V</b>
<b>DESCRIPTION:</b>			
<b>DRAINAGE SYSTEM INSTL</b>			
SHEET:	ITEM/PART NO.:	REV	
<b>1 OF 4</b>	<b>000031165 / 31690101000</b>		

X-X  
FOR DRAINAGE CALLOUTS SEE DWG NO. 000211962 / 303370-01-000



CLAMP-HOSE  
000156236 / 326663-01-000

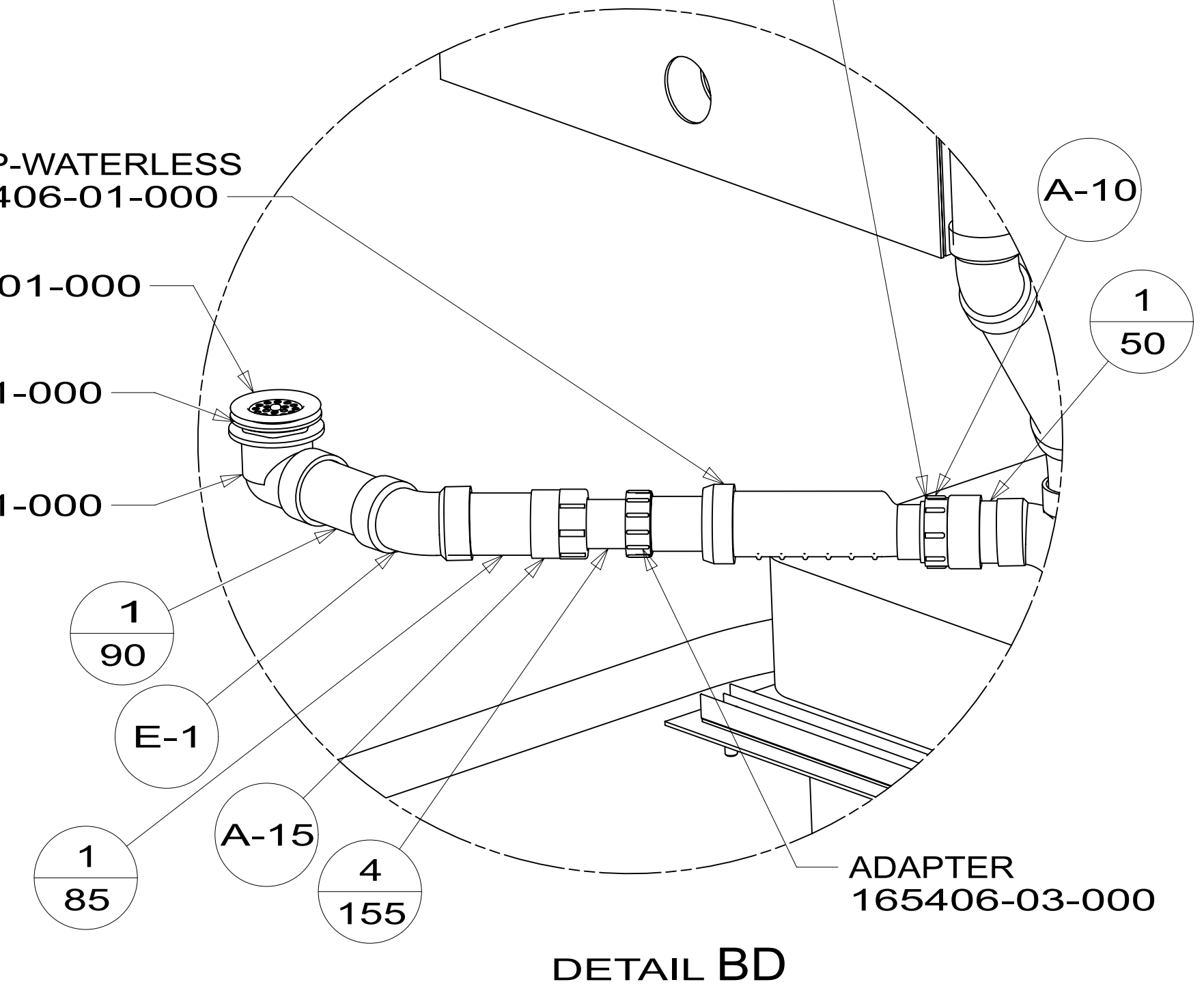


SHOWER INSTL  
000027531 / 315999-01-000

STRAINER  
066440-01-000

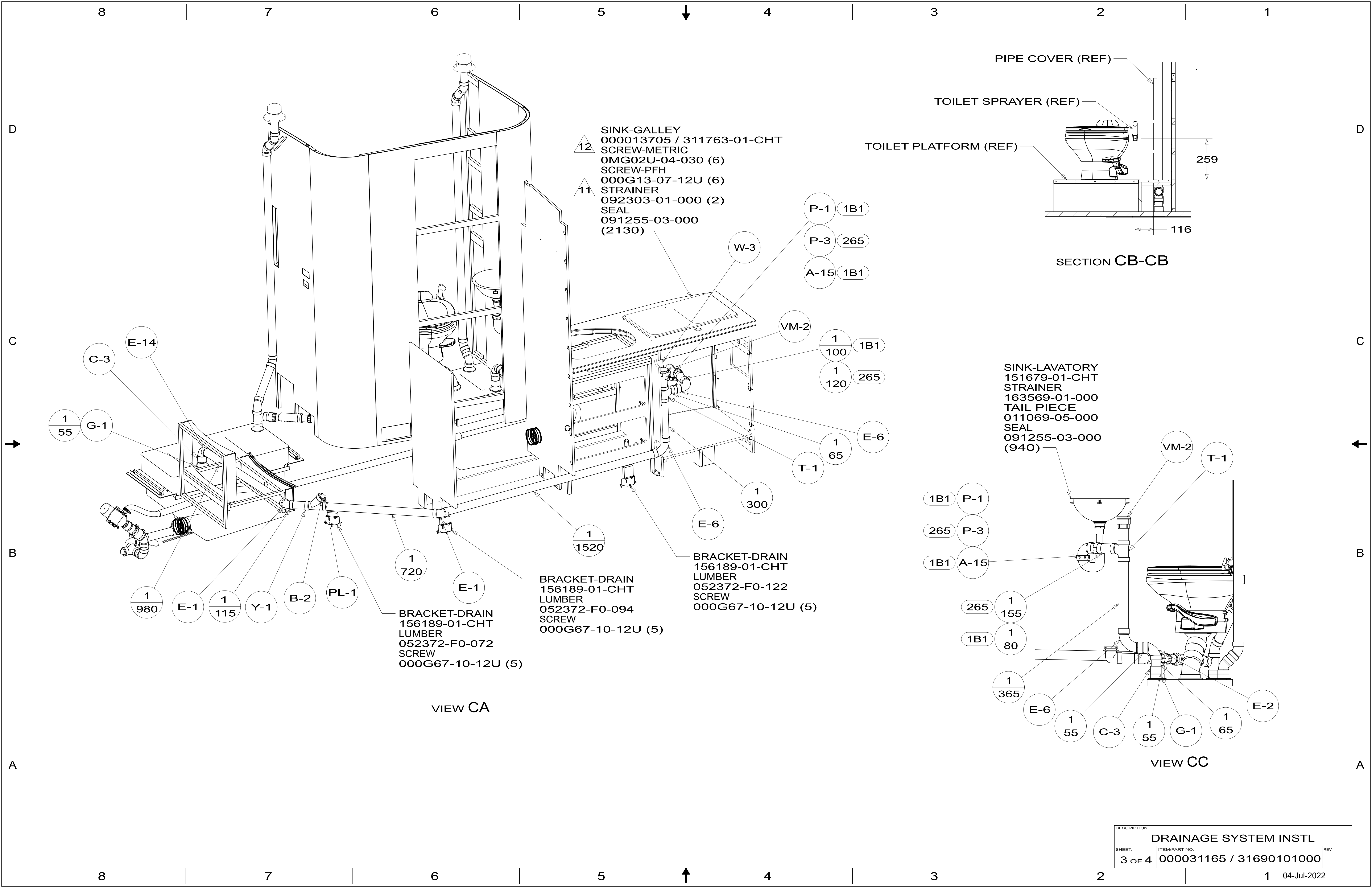
ELBOW  
131486-01-000

WASHER  
000156082 / 326591-01-CHT

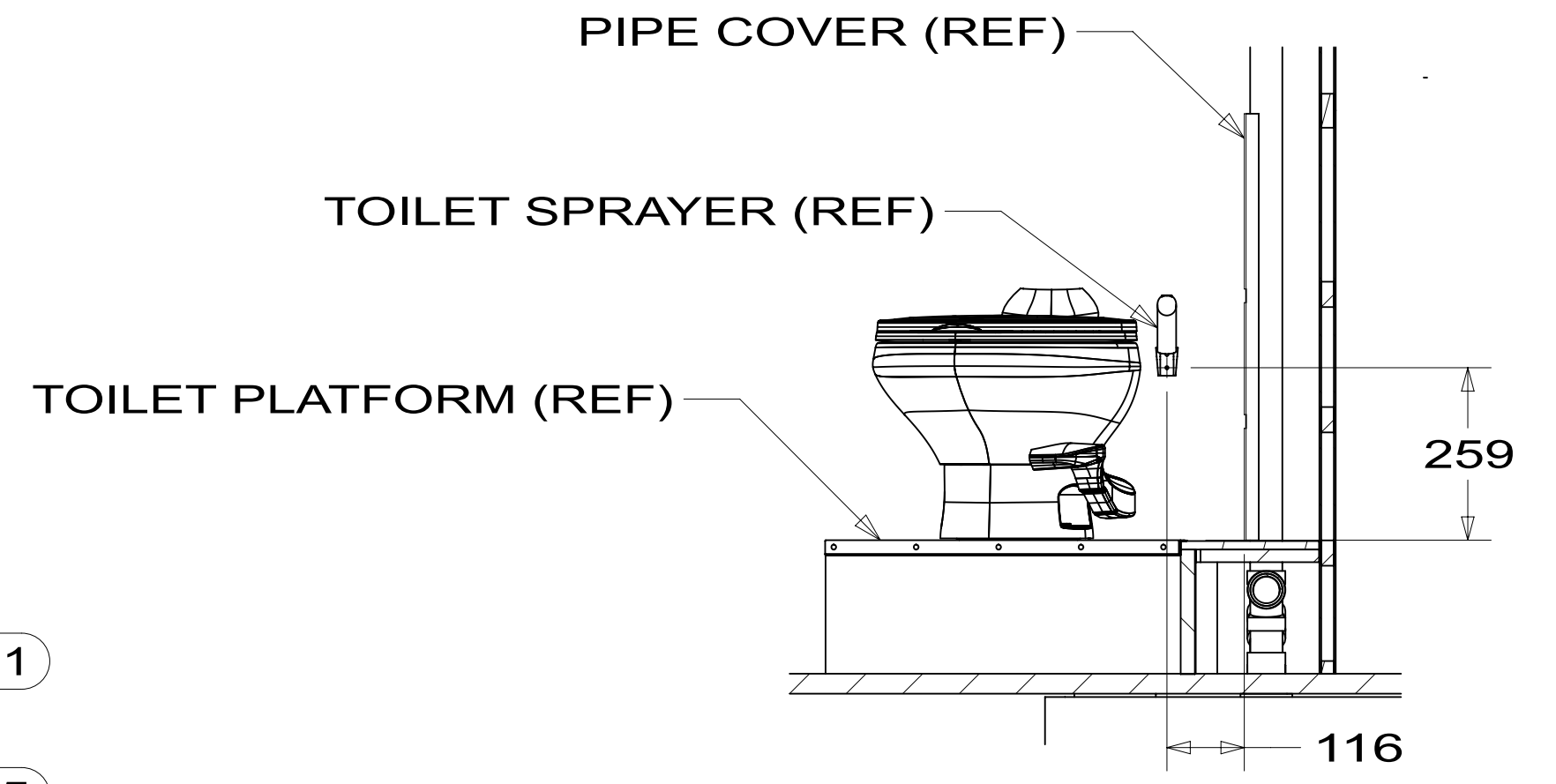


DETAIL BD

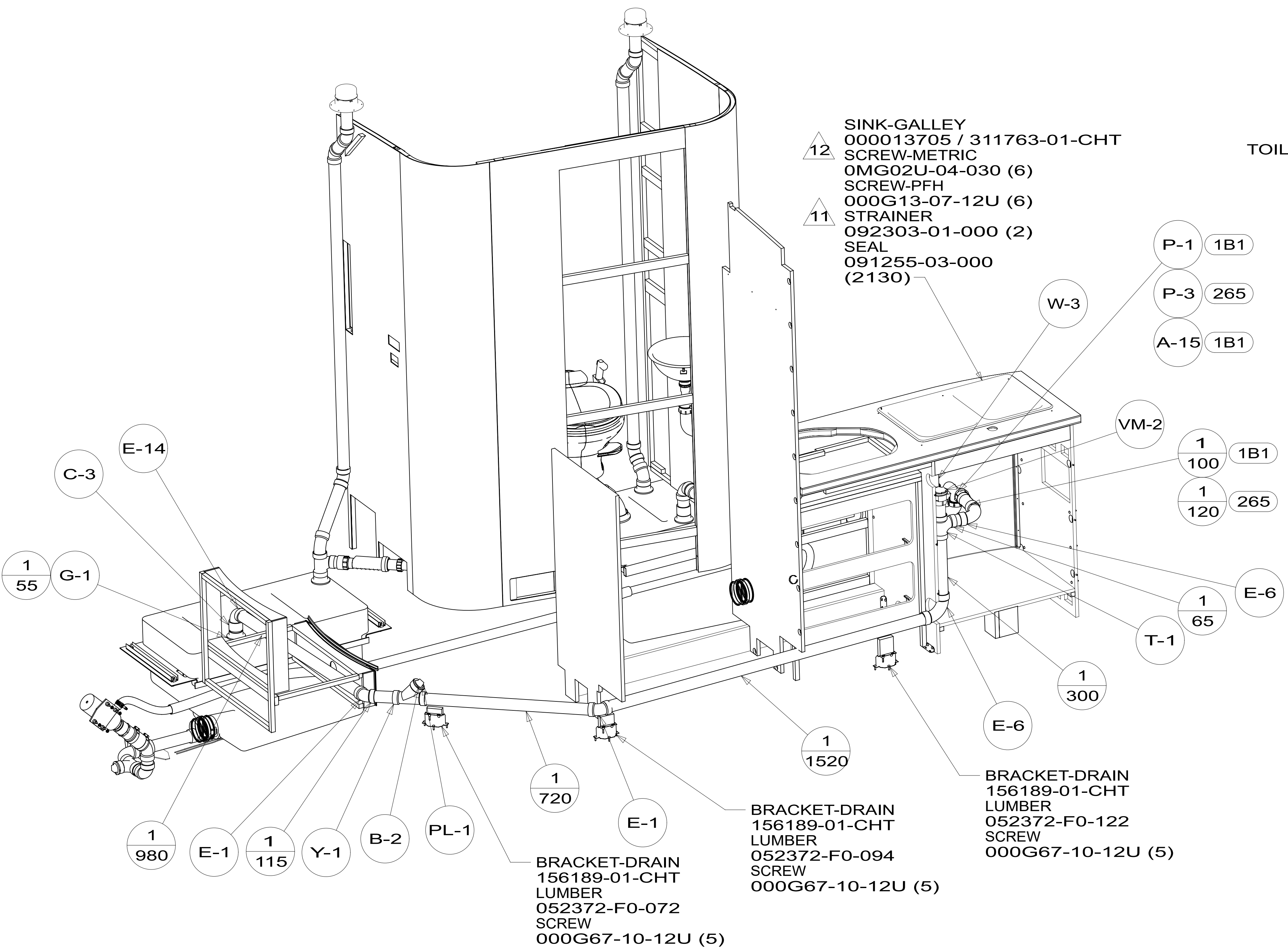
DESCRIPTION: <b>DRAINAGE SYSTEM INSTL</b>		
SHEET: 2 OF 4	ITEM/PART NO: 000031165 / 31690101000	REV
		04-Jul-2022



12 SINK-GALLEY  
 00013705 / 311763-01-CHT  
 SCREW-METRIC  
 0MG02U-04-030 (6)  
 SCREW-PFH  
 000G13-07-12U (6)  
 11 STRAINER  
 092303-01-000 (2)  
 SEAL  
 091255-03-000  
 (2130)

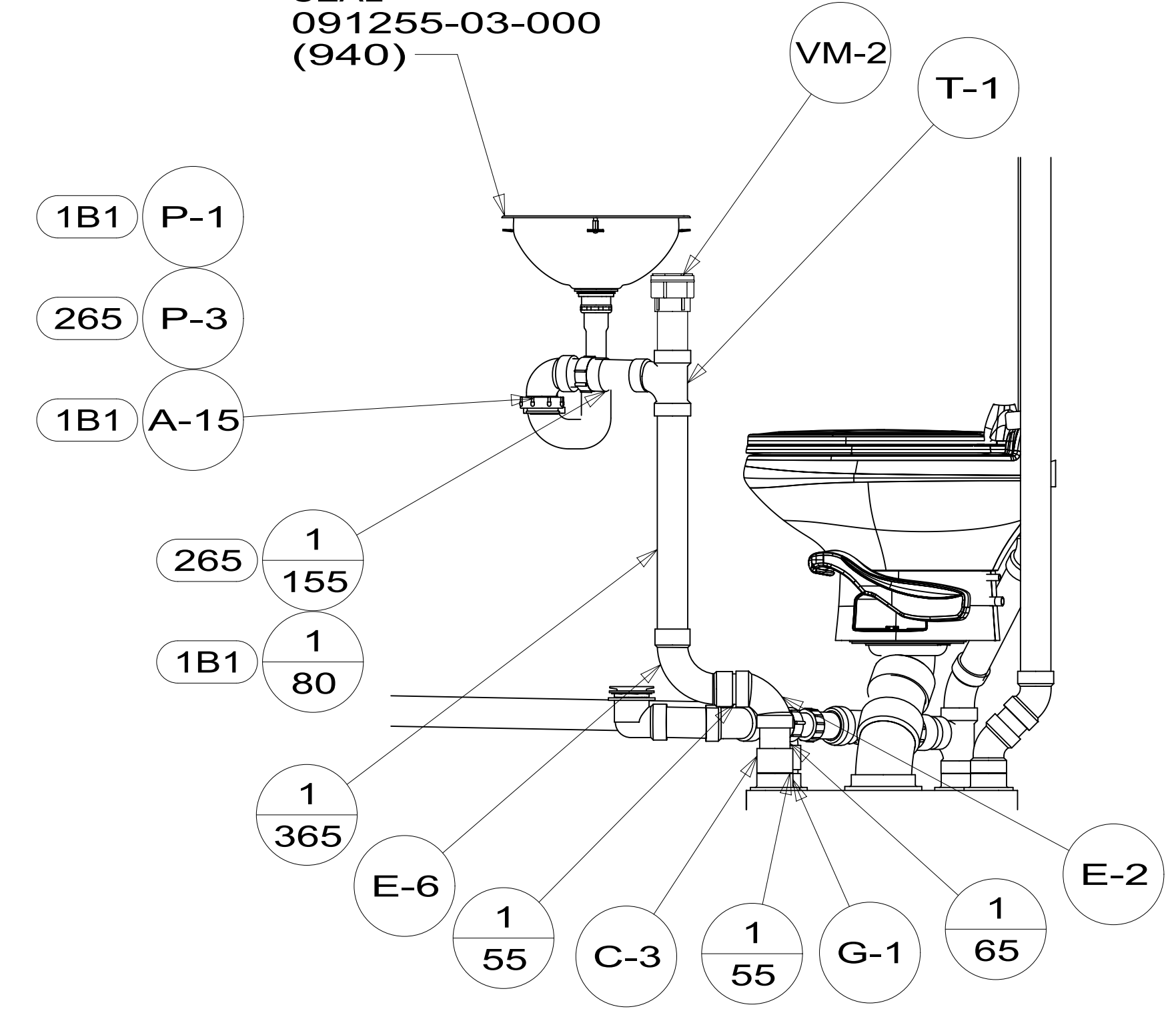


SINK-LAVATORY  
 151679-01-CHT  
 STRAINER  
 163569-01-000  
 TAIL PIECE  
 011069-05-000  
 SEAL  
 091255-03-000  
 (940)



BRACKET-DRAIN  
 156189-01-CHT  
 LUMBER  
 052372-F0-094  
 SCREW  
 000G67-10-12U (5)

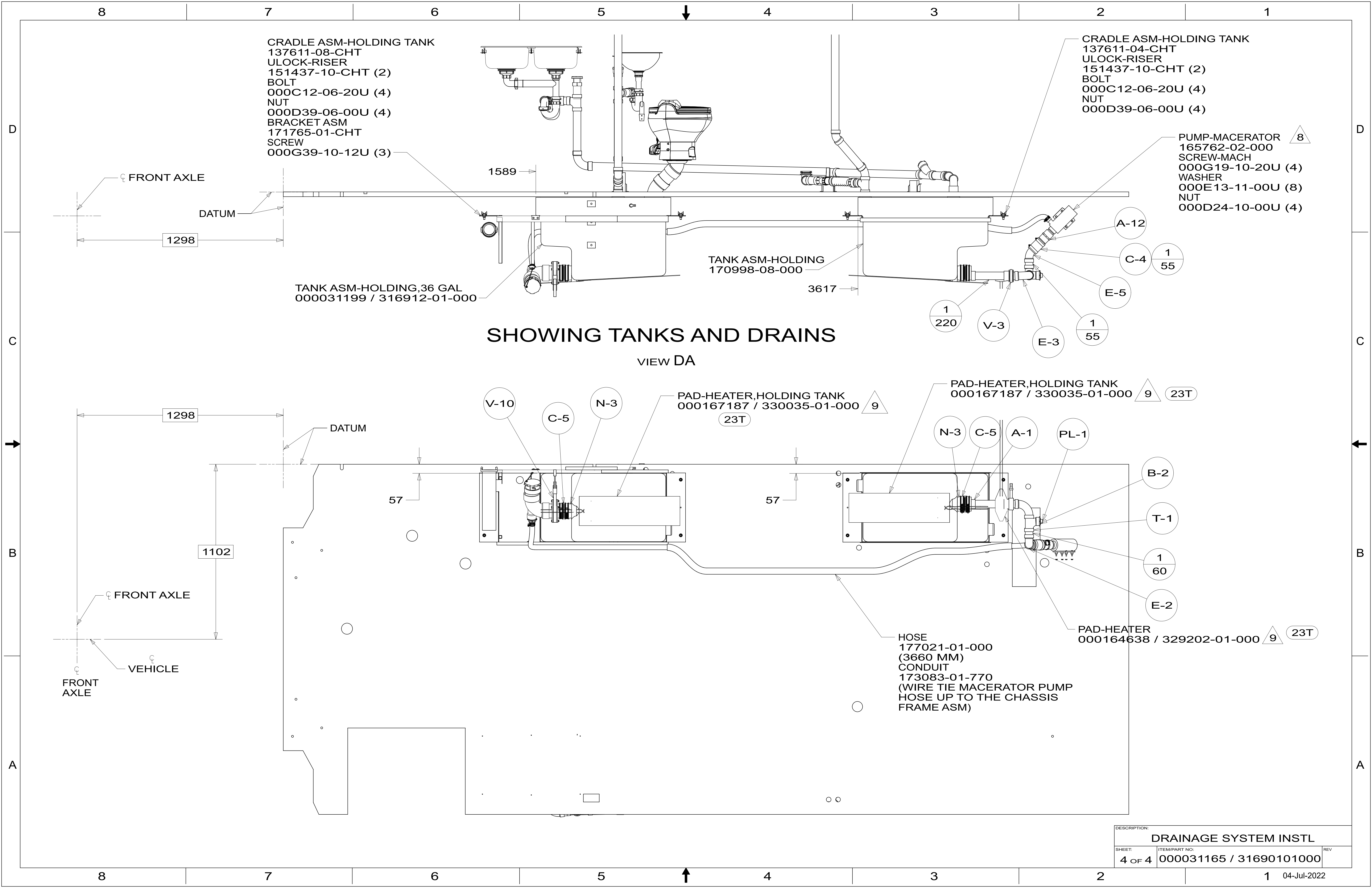
BRACKET-DRAIN  
 156189-01-CHT  
 LUMBER  
 052372-F0-122  
 SCREW  
 000G67-10-12U (5)



VIEW CA

VIEW CC

DESCRIPTION:		
DRAINAGE SYSTEM INSTL		
SHEET:	ITEM/PART NO.:	REV:
3 OF 4	000031165 / 31690101000	



DESCRIPTION: <b>DRAINAGE SYSTEM INSTL</b>		
SHEET: <b>4 OF 4</b>	ITEM/PART NO: <b>000031165 / 31690101000</b>	REV
		<b>04-Jul-2022</b>