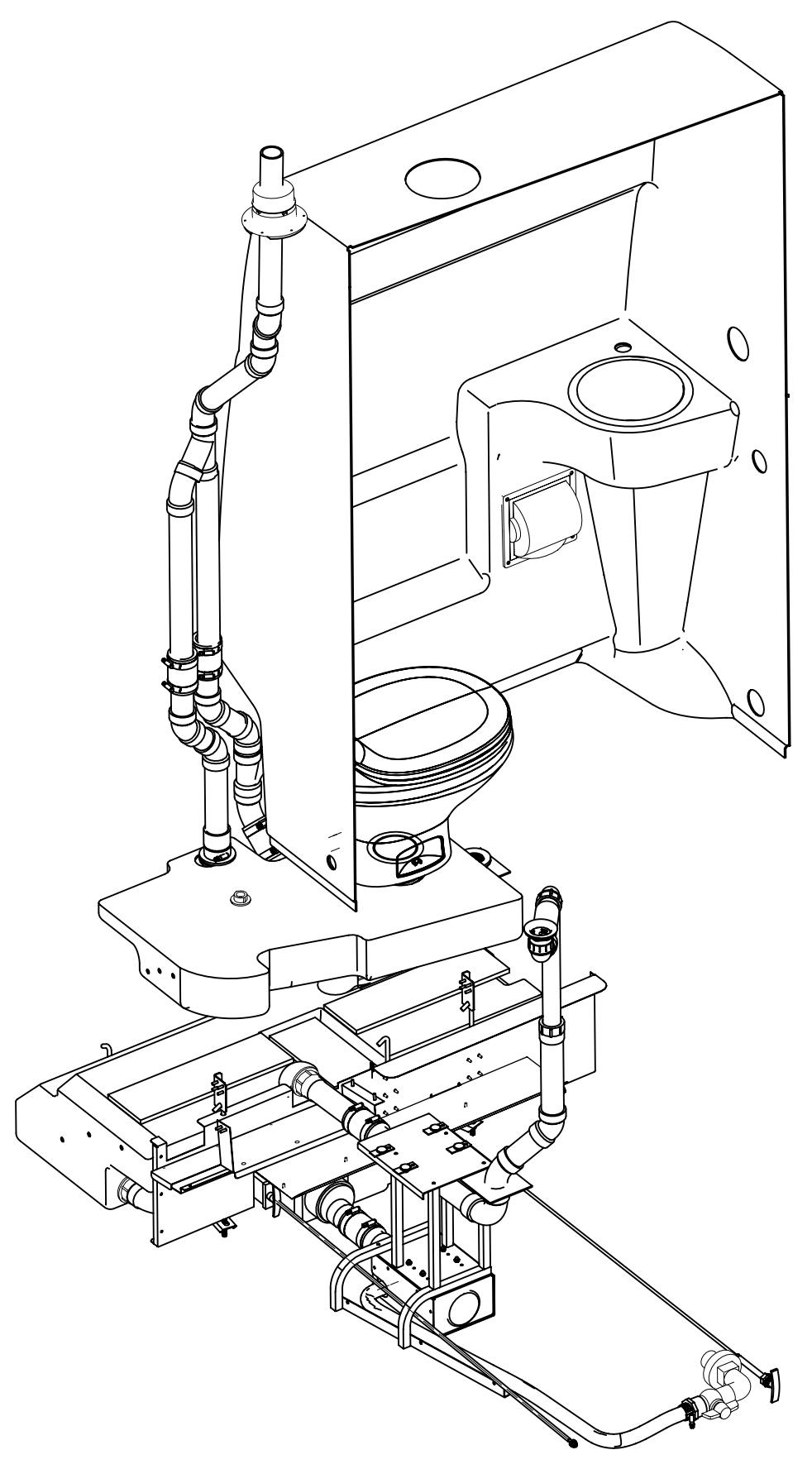
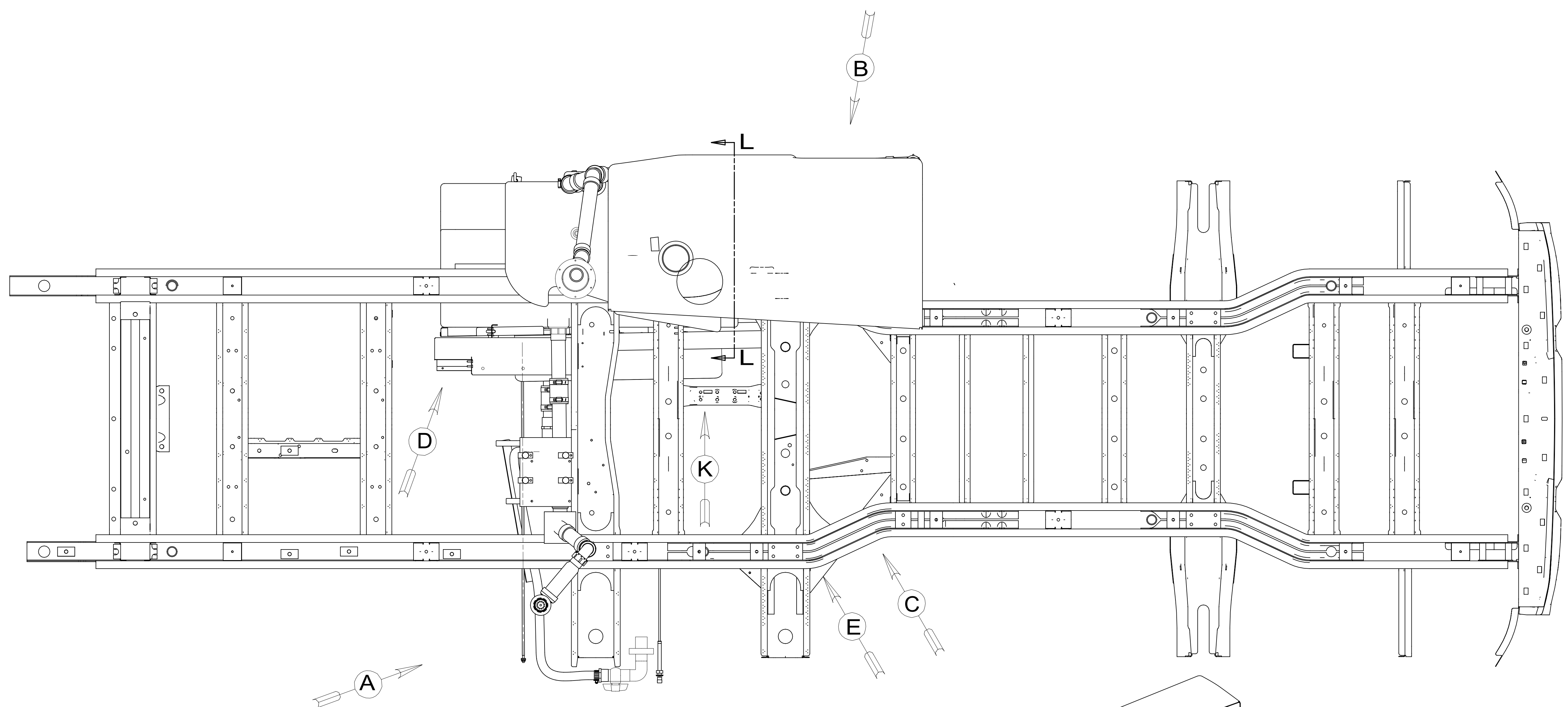


8 7 6 5 4 3 2 1

D
C
B
A

D
C
B
A



- 13. PART LISTED ON WATER SYSTEM PART LIST DRAWING #116230.
- 12. MODIFY PART TO FIT AROUND OPENING.
- 11. USE CLEAR SILICONE TO SEAL SINK TO THE SHOWER SURROUND.
- 10. USE SUPPLIED HANDLE FROM VALVE.
- 9. USE SMOOTH PLUMBERS PUTTY 167459-01-000 TO SEAL STRAINER (0.2 PER STRAINER).
- 8. USE LOCTITE 062917-06-000 ON ALL THREADS WHEN INSTALLING BRACKET
- 7. TRIM TO FIT.
- 6. VENT PIPE MUST PROJECT 51 MIN AND 64 MAX ABOVE ROOF FOR PROPER FIT AND FUNCTION.
- 5. SEAL AROUND SHOWER WITH SILICONE.
- 4. SECURE DRAINAGE PIPES TO CABINET USING WIRE TIE 108046-02-000, AND SCREW 000G67-10-12U AT INTERVALS OF NOT MORE THAN 4 FEET APART.
- 3. ALL PIPE AND FITTINGS TO BE ASSEMBLED WITH SOLVENT 004020-01-000 (USA), 004020-02-000 (CAN)
- 2. SLOPE OF TRAP ARM MUST BE 6 PER 305 mm.
- 1. SLOPE OF HORIZONTAL PIPING TO BE MINIMUM OF 3 PER 305 mm.

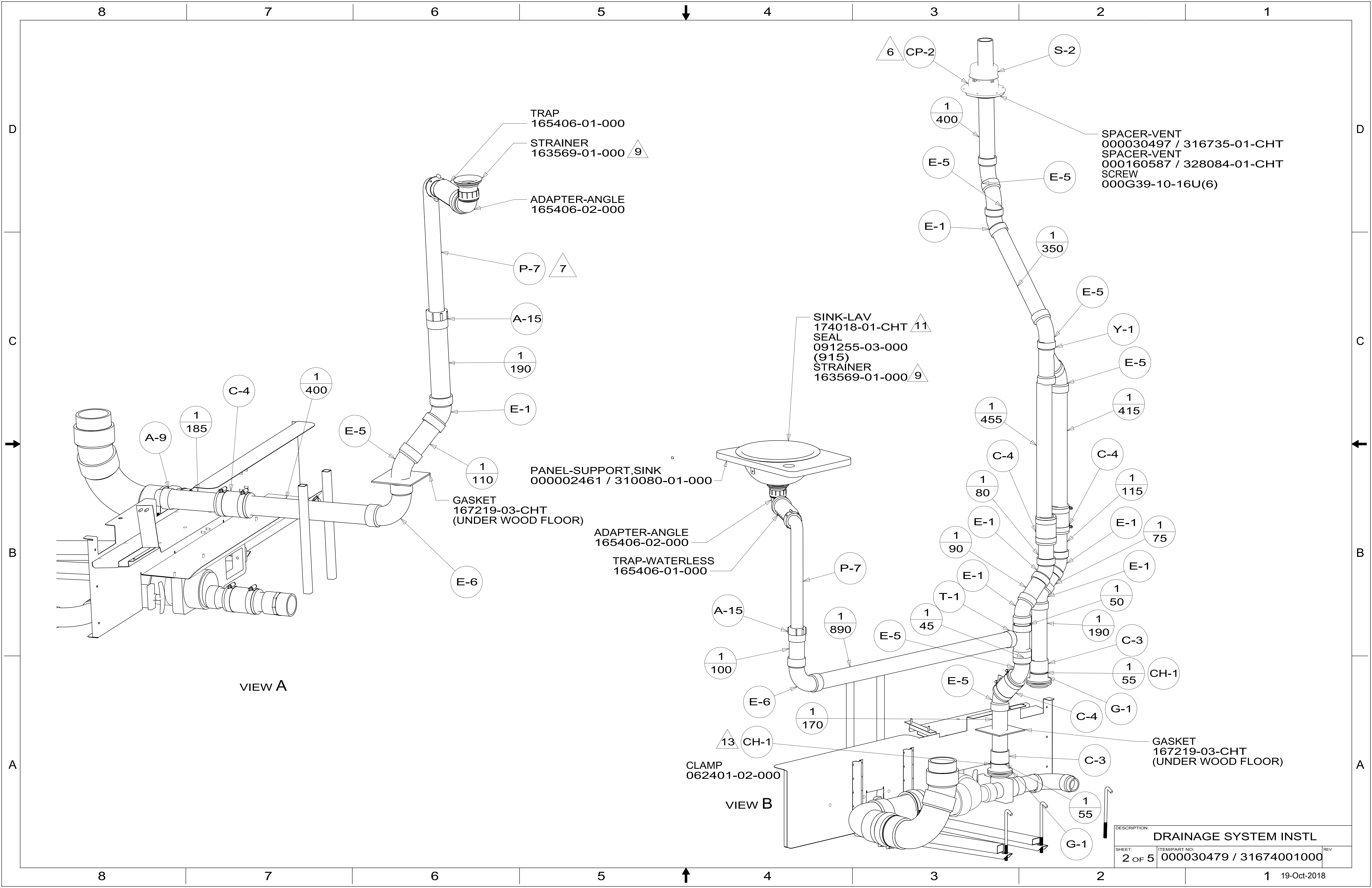
NOTES:

X-X
FOR
DRAINAGE
CALLOUTS
SEE DWG NO.
000211962 /
303370-01-000



DSNR:		ALL DIMENSIONS ARE IN MILLIMETERS	
DFT:			
UNSPECIFIED TOLERANCES:		MATERIAL:	
WHOLE DIM (X)	3		
ONE-PLACE (X.X)	1.5		
TWO-PLACE (X.XX)	0.50		
ANGLE	1°		
REFER TO ES0018 FOR FASTENER TIGHTENING GUIDELINES		WEIGHT: (LBS)	FIRST USED: (REF)
			17 170X
DESCRIPTION:			
DRAINAGE SYSTEM INSTL			
SHEET:	ITEM/PART NO.:	REV	
1 OF 5	000030479 / 31674001000		

8 7 6 5 4 3 2 1



TRAP
165406-01-000

STRAINER
163569-01-000 $\triangle 9$

ADAPTER-ANGLE
165406-02-000

P-7 $\triangle 7$

A-15

1
190

E-1

PANEL-SUPPORT, SINK
00002461 / 310080-01-000

GASKET
167219-03-CHT
(UNDER WOOD FLOOR)

ADAPTER-ANGLE
165406-02-000

TRAP-WATERLESS
165406-01-000

E-6

SINK-LAV
174018-01-CHT $\triangle 11$

SEAL
091255-03-000
(915)

STRAINER
163569-01-000 $\triangle 9$

6 CP-2

S-2

1
400

E-5

E-5

E-1

1
350

SPACER-VENT
000030497 / 316735-01-CHT

SPACER-VENT
000160587 / 328084-01-CHT

SCREW
000G39-10-16U(6)

E-5

Y-1

E-5

1
455

C-4

C-4

1
115

1
80

E-1

E-1

1
75

1
90

E-1

E-1

1
50

T-1

1
45

1
190

C-3

1
55

CH-1

E-5

C-4

G-1

GASKET
167219-03-CHT
(UNDER WOOD FLOOR)

A-15

1
100

E-6

1
170

CLAMP
062401-02-000

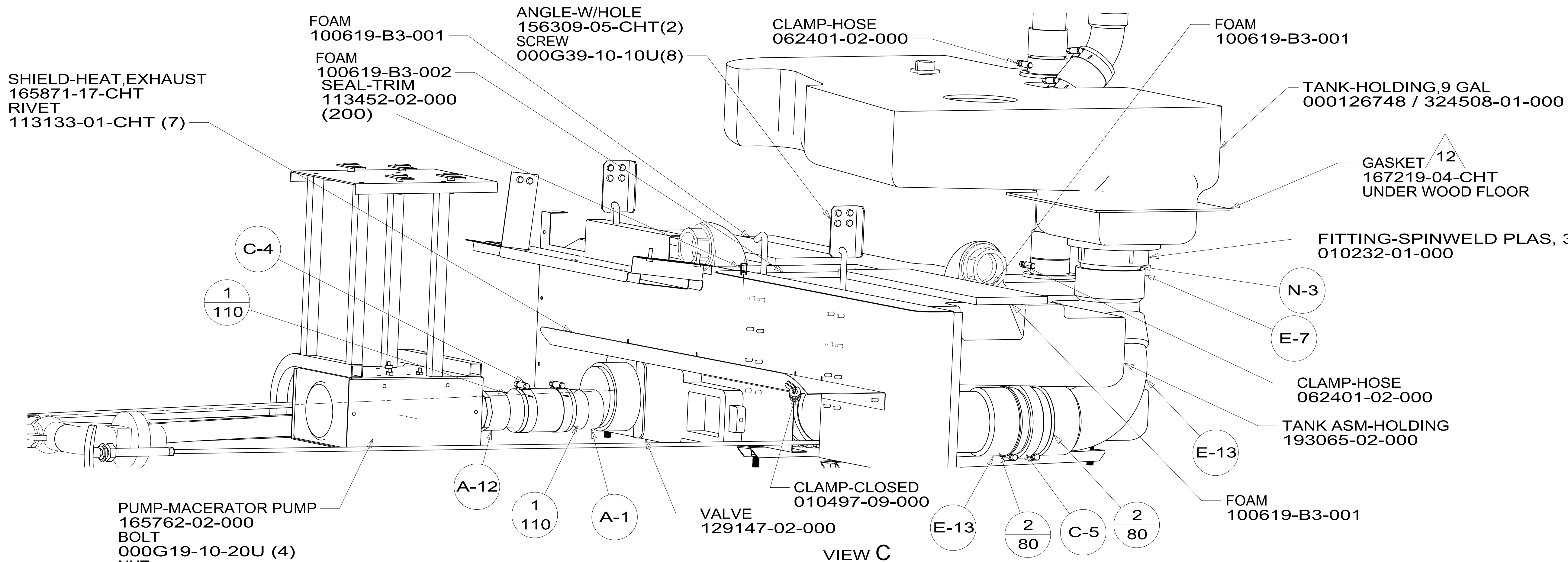
VIEW B

1
55

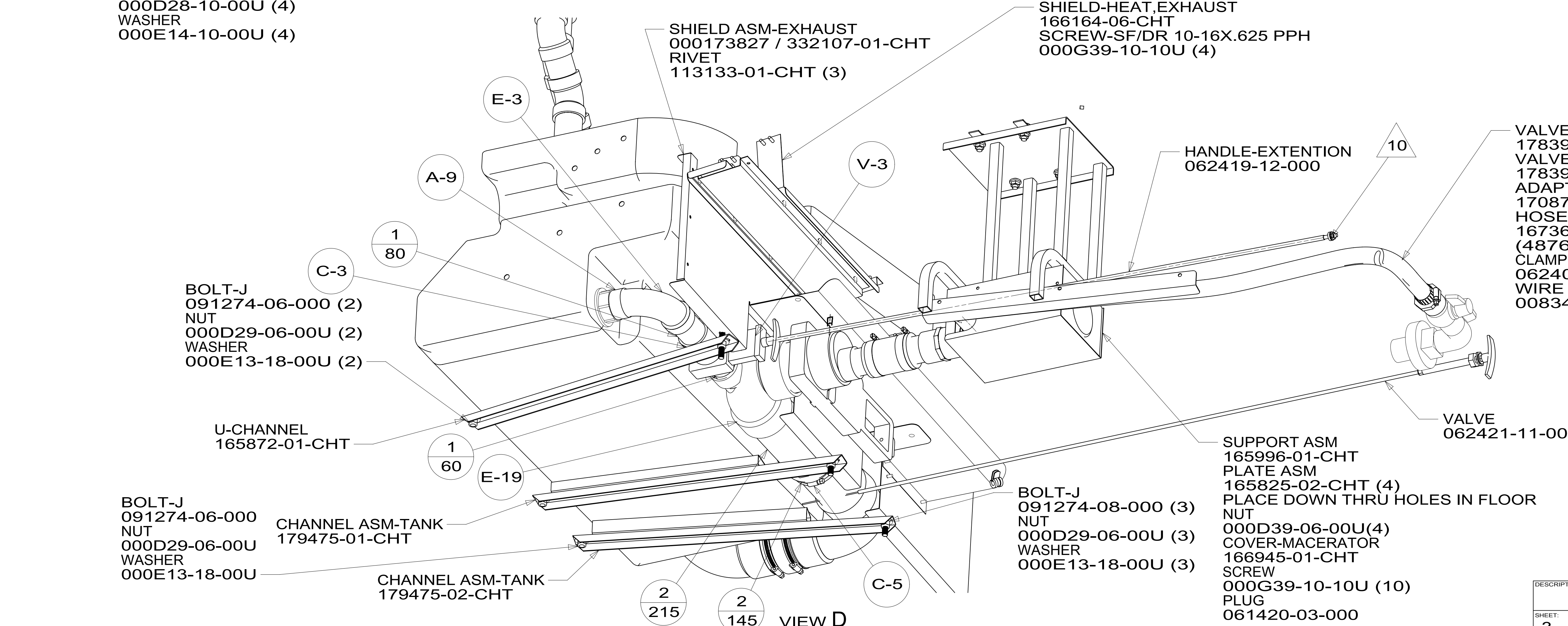
G-1

VIEW A

DESCRIPTION: DRAINAGE SYSTEM INSTL		
SHEET: 2 OF 5	ITEM/PART NO: 000030479 / 31674001000	REV
		19-Oct-2018



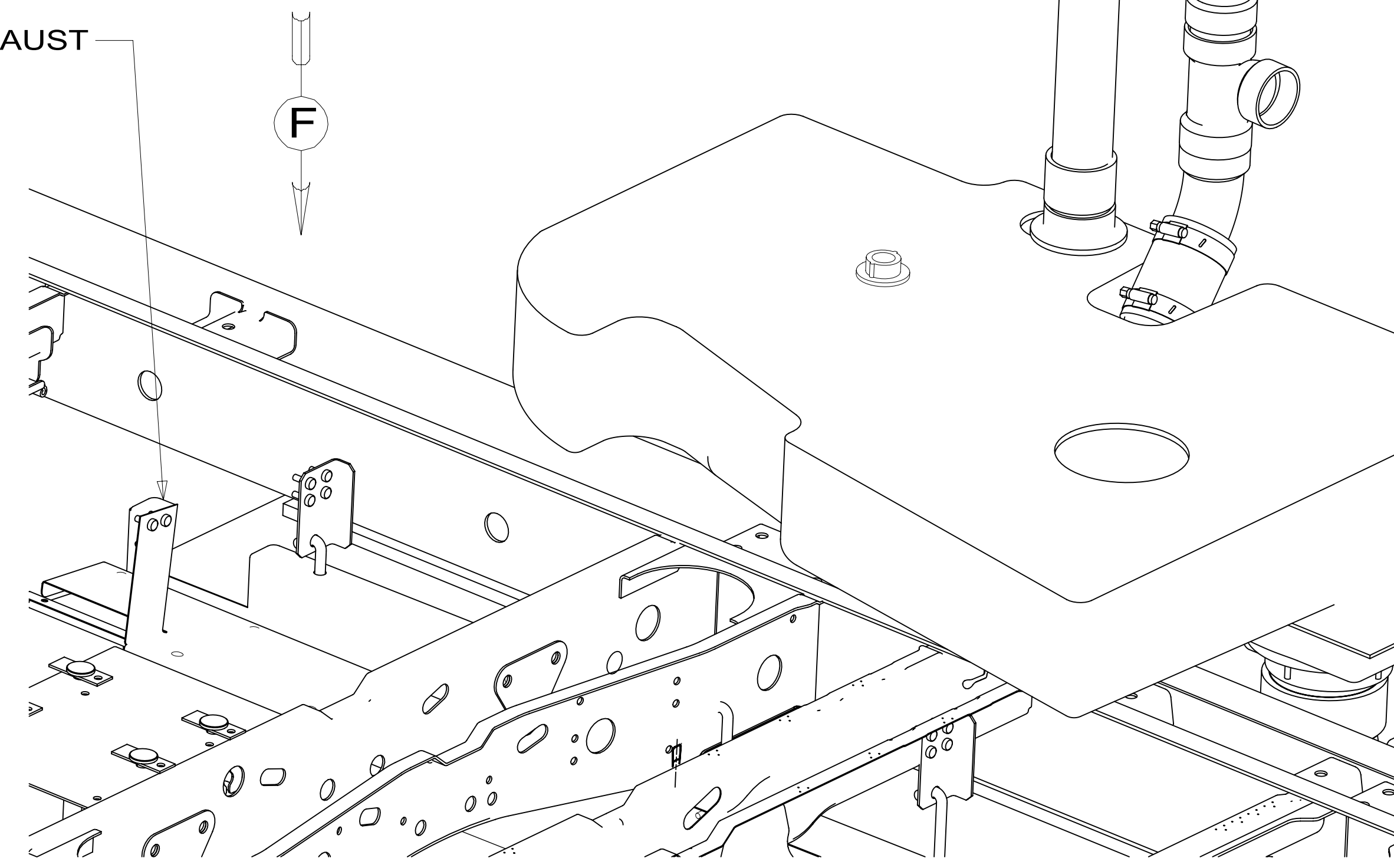
VIEW C



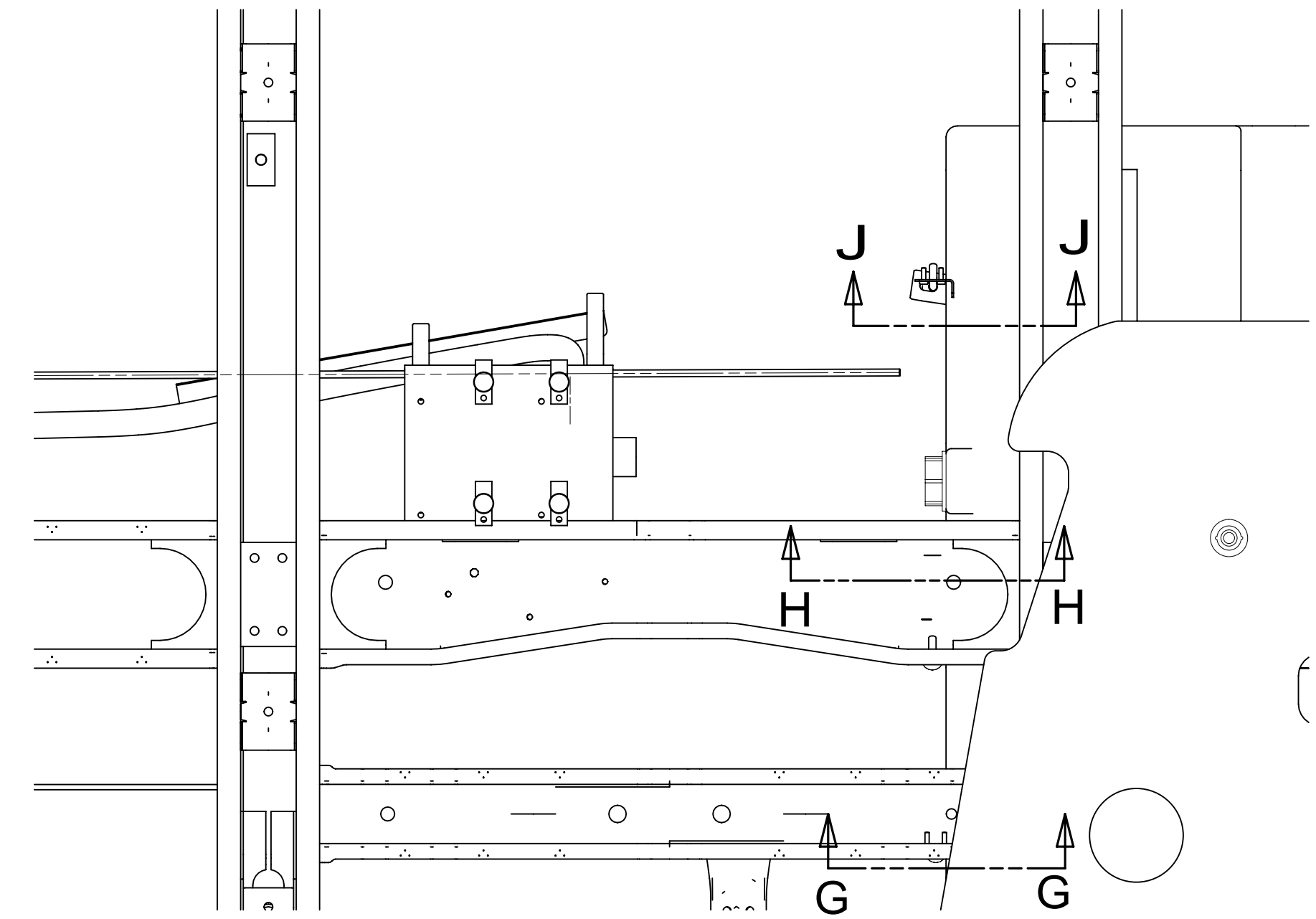
VIEW D

DESCRIPTION:		
DRAINAGE SYSTEM INSTL		
SHEET:	ITEM/PART NO.:	REV
3 OF 5	000030479 / 31674001000	

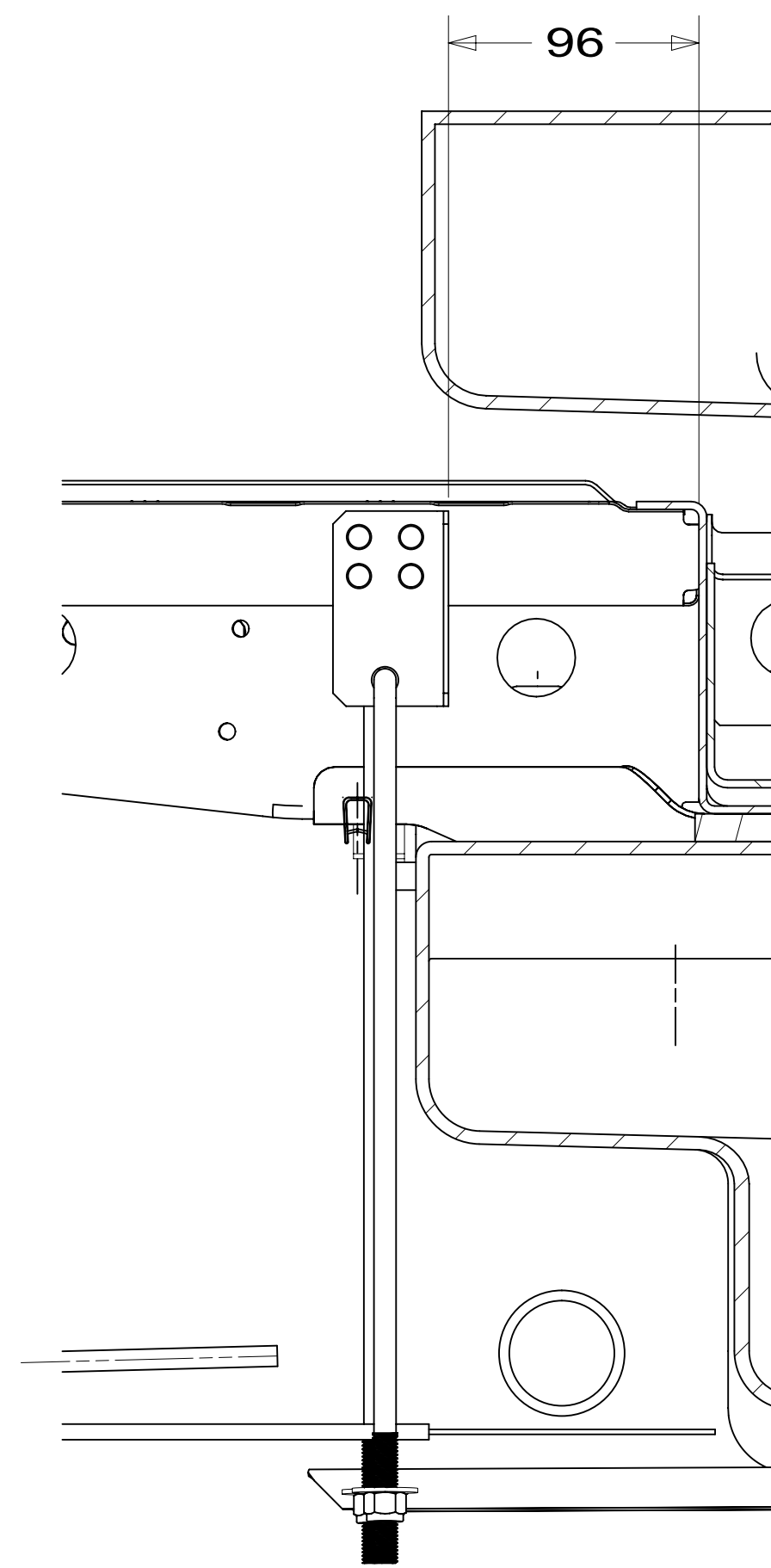
SHIELD-HEAT, EXHAUST
REF



VIEW E

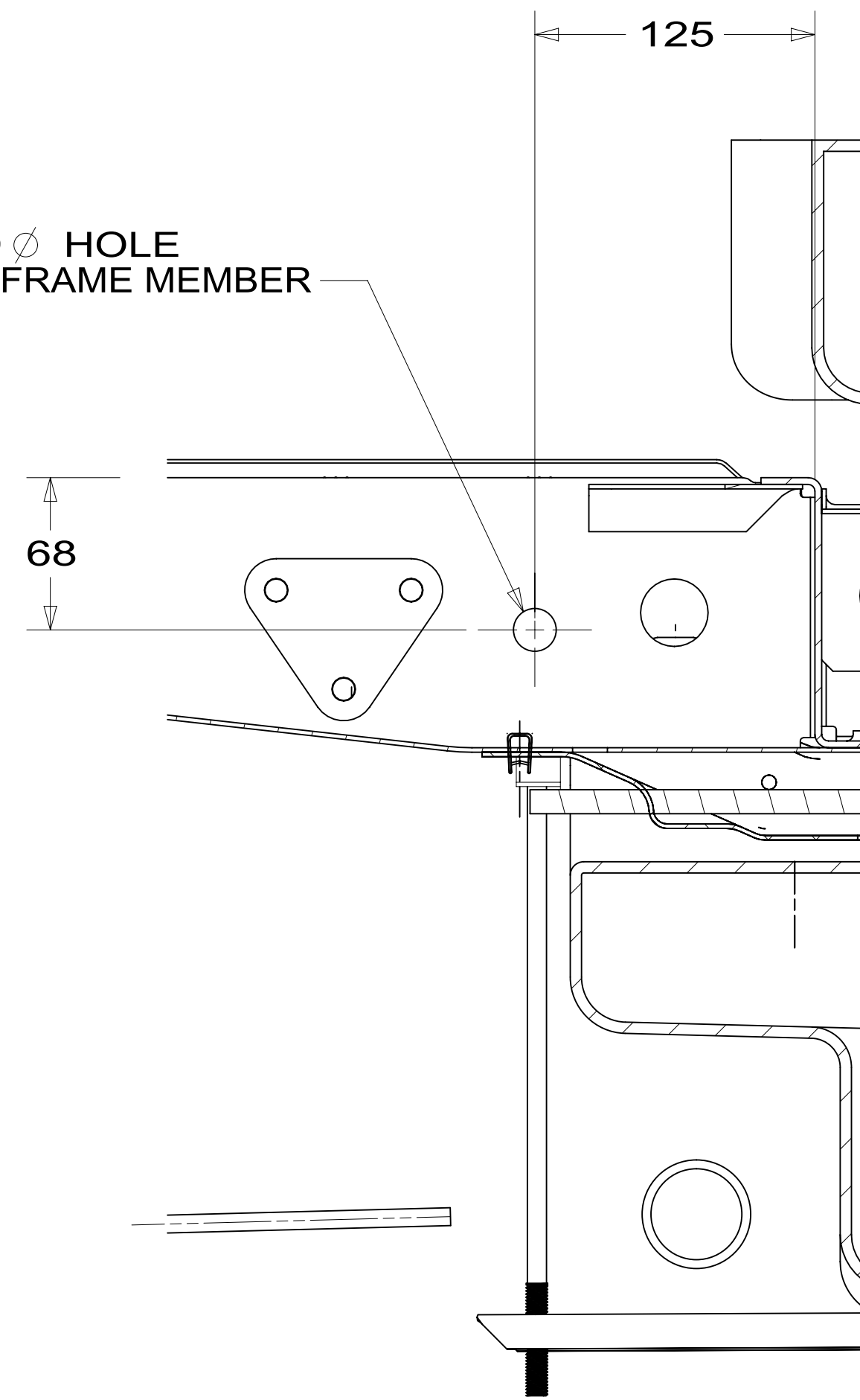


VIEW F

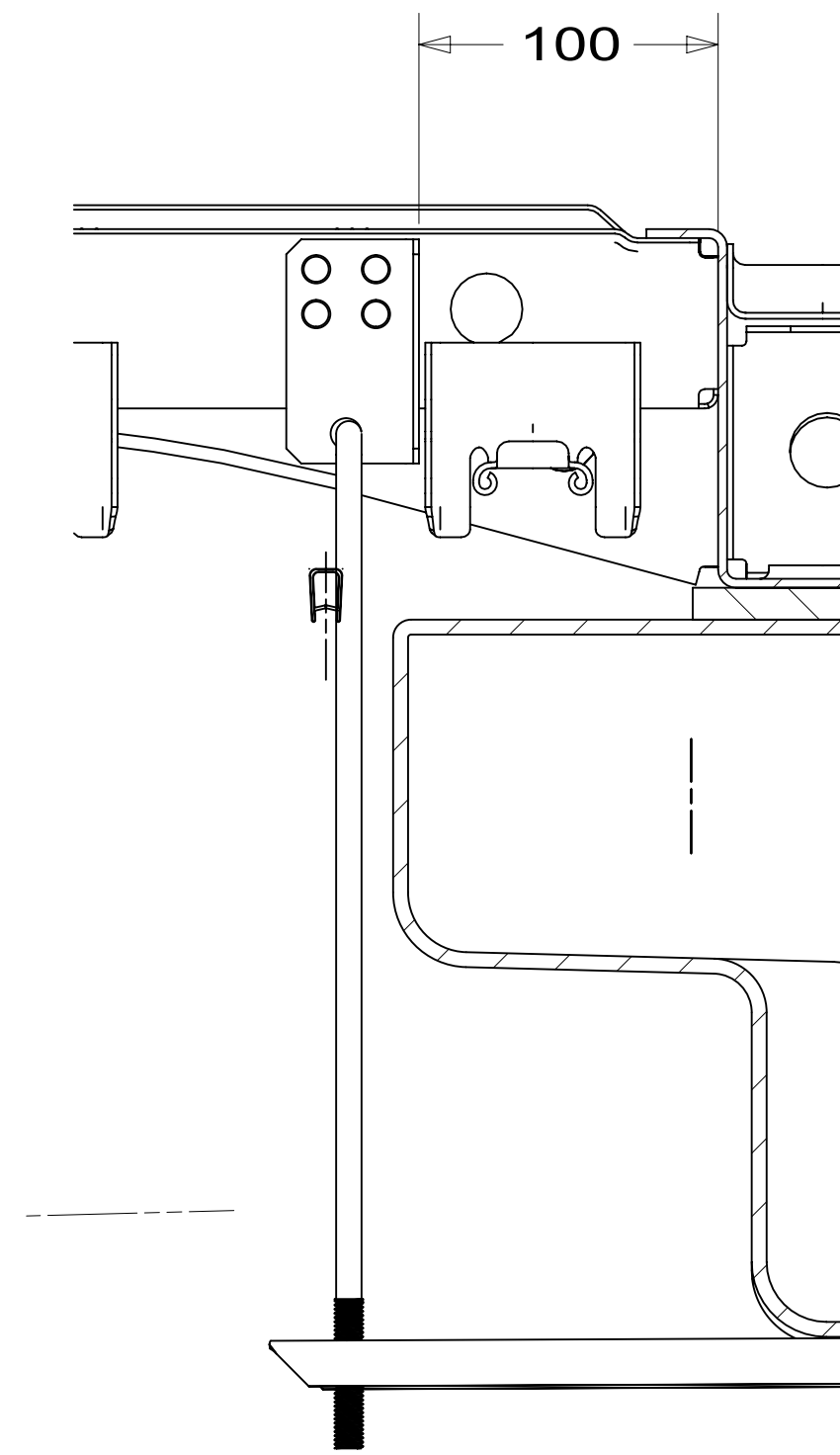


SECTION G-G

DRILL 19 Ø HOLE
THROUGH FRAME MEMBER



SECTION H-H



SECTION J-J

DESCRIPTION:		
DRAINAGE SYSTEM INSTL		
SHEET:	ITEM/PART NO.:	REV
4 OF 5	000030479 / 31674001000	

