

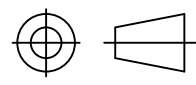
- 10. SEAL VENT HOLE IN DOOR W/SILICONE SEALANT.
- 9. ALL CRIMP FITTINGS TO 3/4" PEX TUBING REQUIRE 3/4" CLAMP 140171-05-000.
- 8. ALL CRIMP FITTINGS TO 1/2" PEX TUBING REQUIRE 1/2" CLAMP 140171-03-000.
- 7. ALL CRIMP FITTINGS TO 5/8" FLEX TUBING REQUIRE 5/8" CLAMP 140171-04-000.
- 6. LABEL HOT AND COLD SUPPLY TUBES AND TAPE FITTING TO TUBE BEFORE CABINET SET TO PREVENT MOVEMENT.
- 5. ADD PIPE WRAP (LADDER SCRAP 110157-02-000) INSULATION.
- 4. ADD TEFLON TAPE 010405-02-000.
- 3. ALL TUBING TO BE SECURED AT 1200 INTERVALS MAXIMUM WITH CLAMP 010495-01-000 AND SCREW 000G67-10-12U OR EQUIVALENT.
- 2. TUBING TO BE INSTALLED WITH SUFFICIENT SLOPE TO PROVIDE DRAINAGE TO NEAREST VALVE.
- 1. PLASTIC FITTINGS TO BE SEALED WITH SEALANT 084456-01-000.

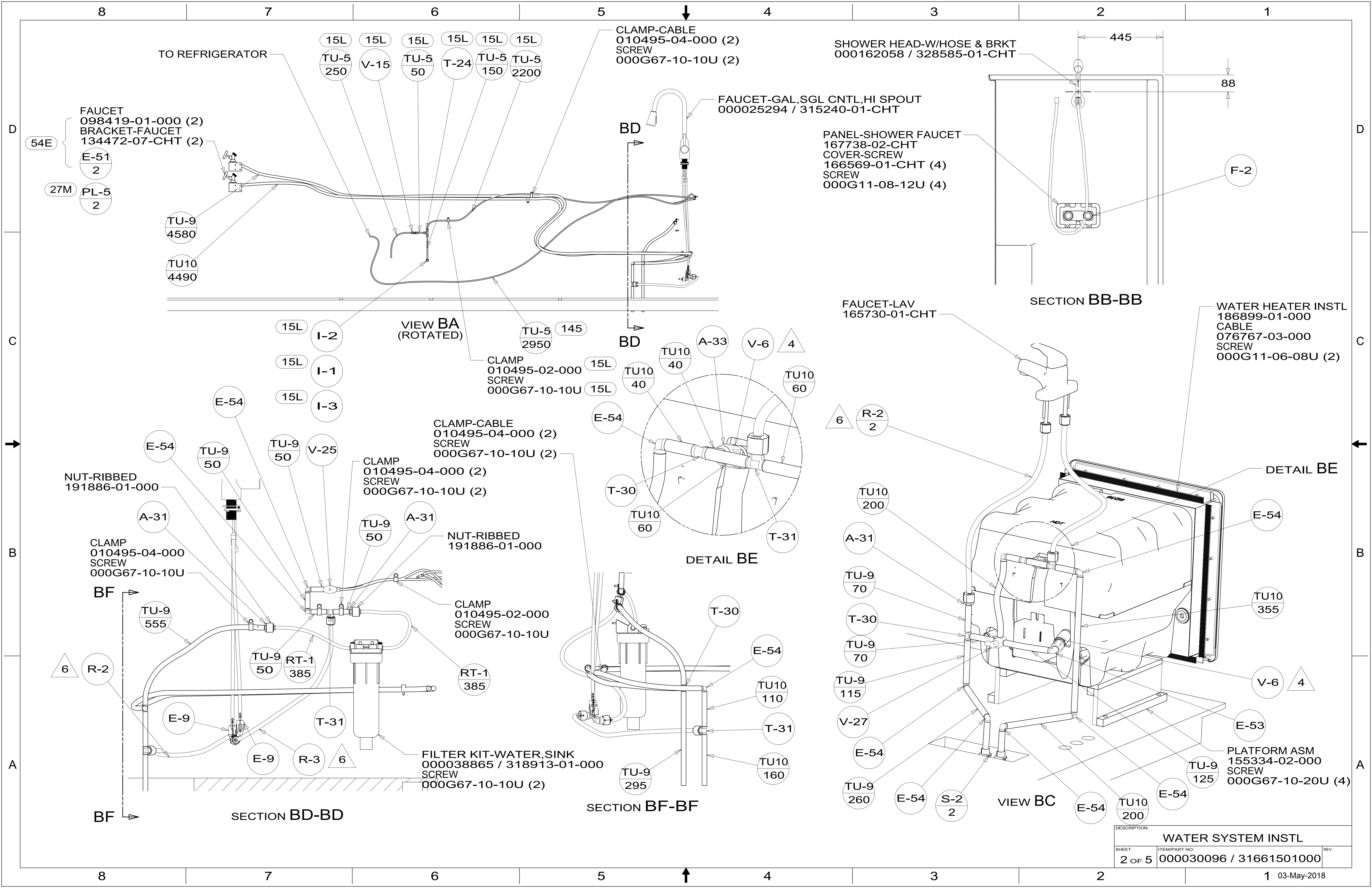
- 54E WASHER/DRYER COMBO
- 21M WASHER/DRYER PREP
- 145 REFR-EXTRA CAP W/ICEMAKER
- 15L RESIDENTIAL REFRIGERATOR PKG

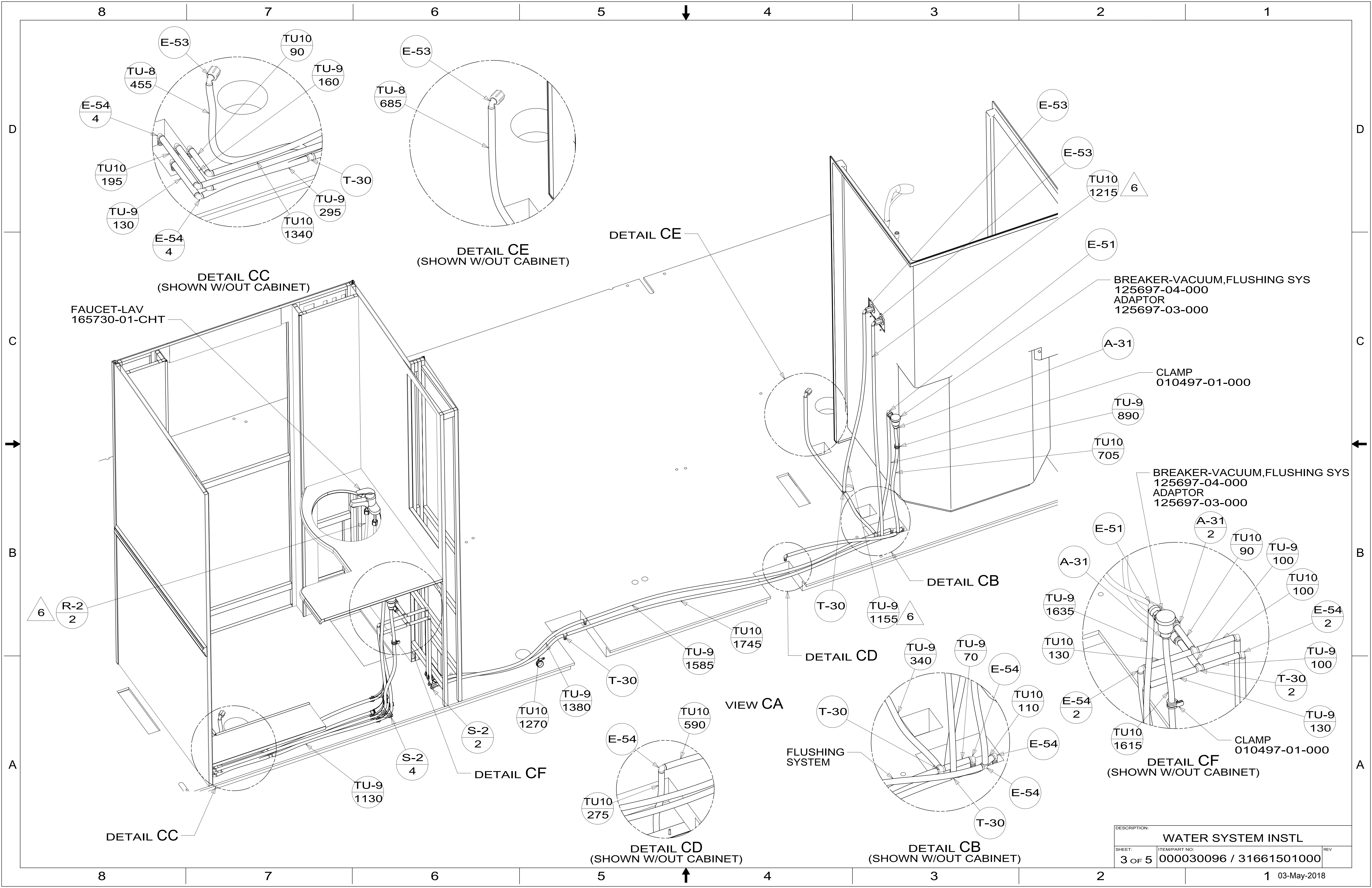
X-X
 FOR WATER
 CALLOUTS
 SEE DWG NO.
 000209446 /
 303369-01-000



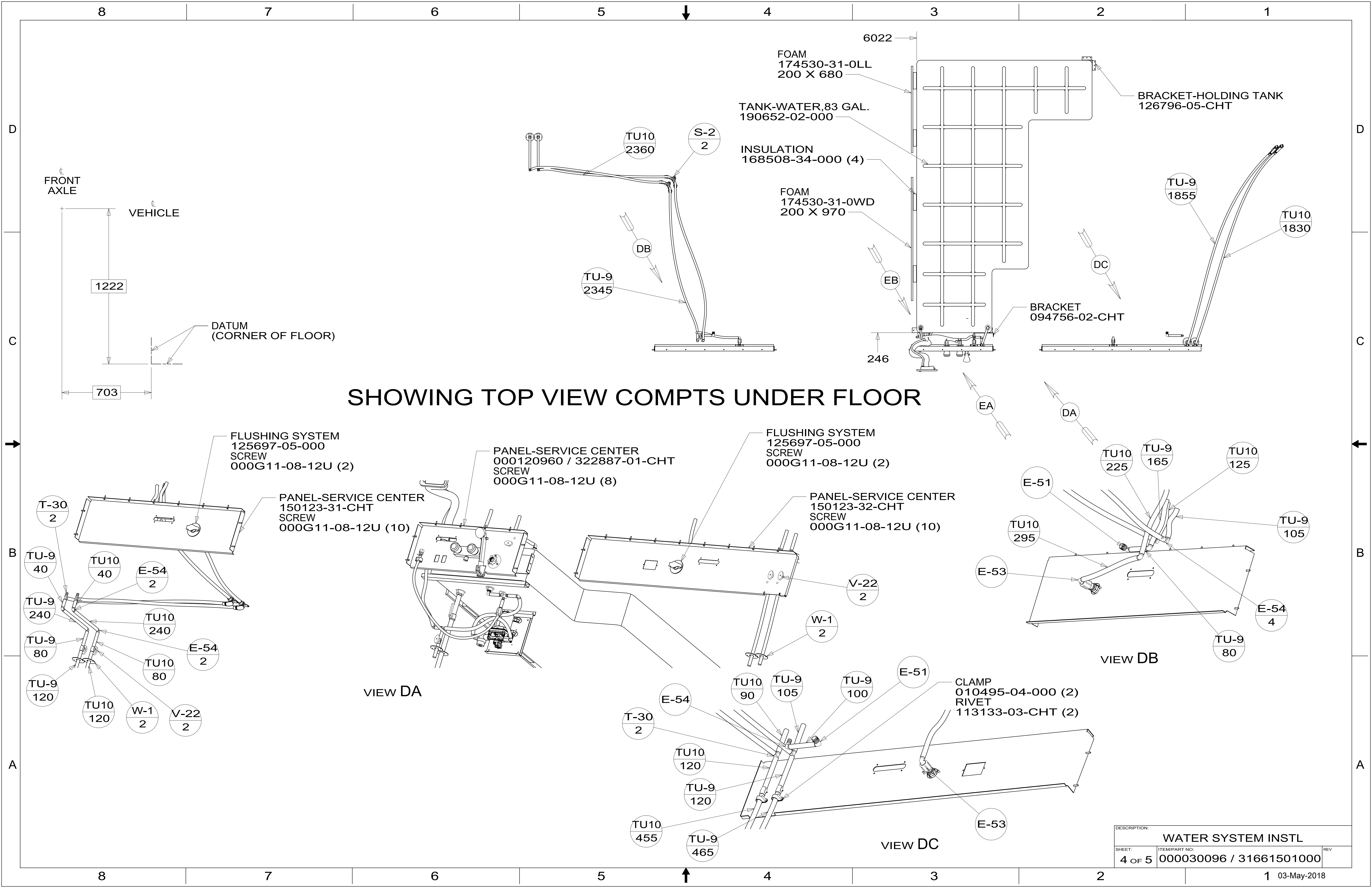
COPYRIGHT 2018 WINNEBAGO INDUSTRIES, INC.

DSNR:		ALL DIMENSIONS ARE IN MILLIMETERS	
DIFTR:			
UNSPECIFIED TOLERANCES:	MATERIAL:		
WHOLE DIM (X) :	3		
ONE-PLACE (X.X) :	1.5		
TWO-PLACE (X.XX) :	0.50		
ANGLE :	1°		
REFER TO ES0018 FOR FASTENER TIGHTENING GUIDELINES		WEIGHT: (LBS)	FIRST USED: (REF)
			17 D36Z
DESCRIPTION: WATER SYSTEM INSTL			
SHEET:	ITEM/PART NO:	REV	
1 OF 5	000030096 / 31661501000		

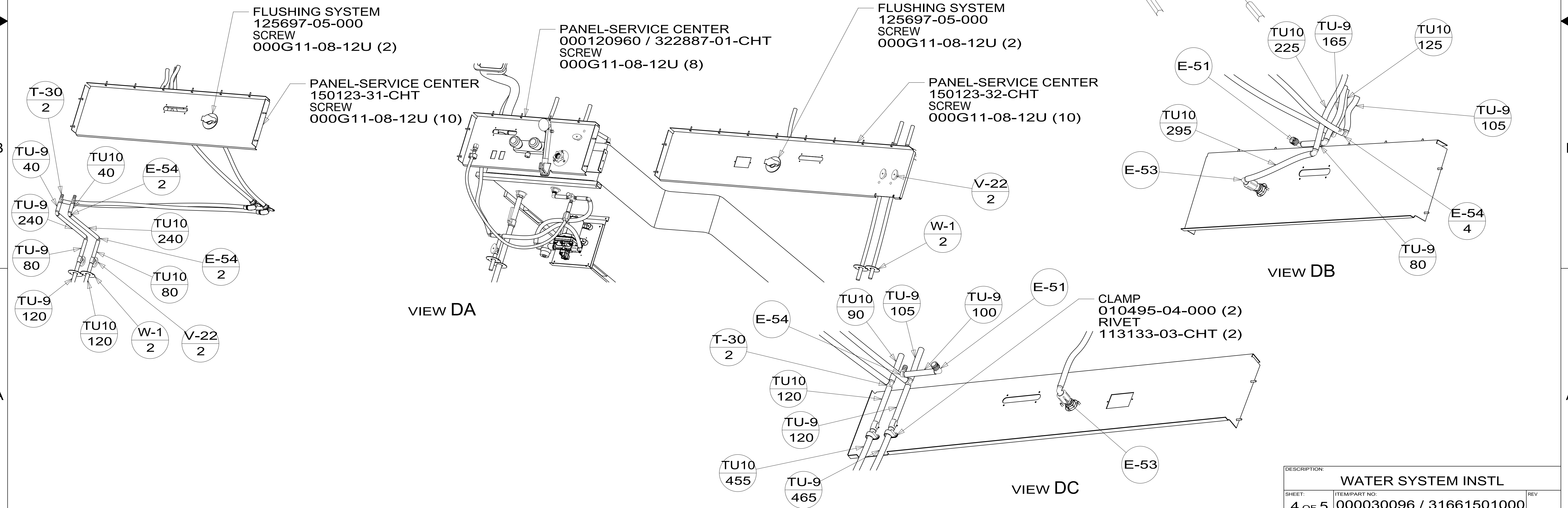
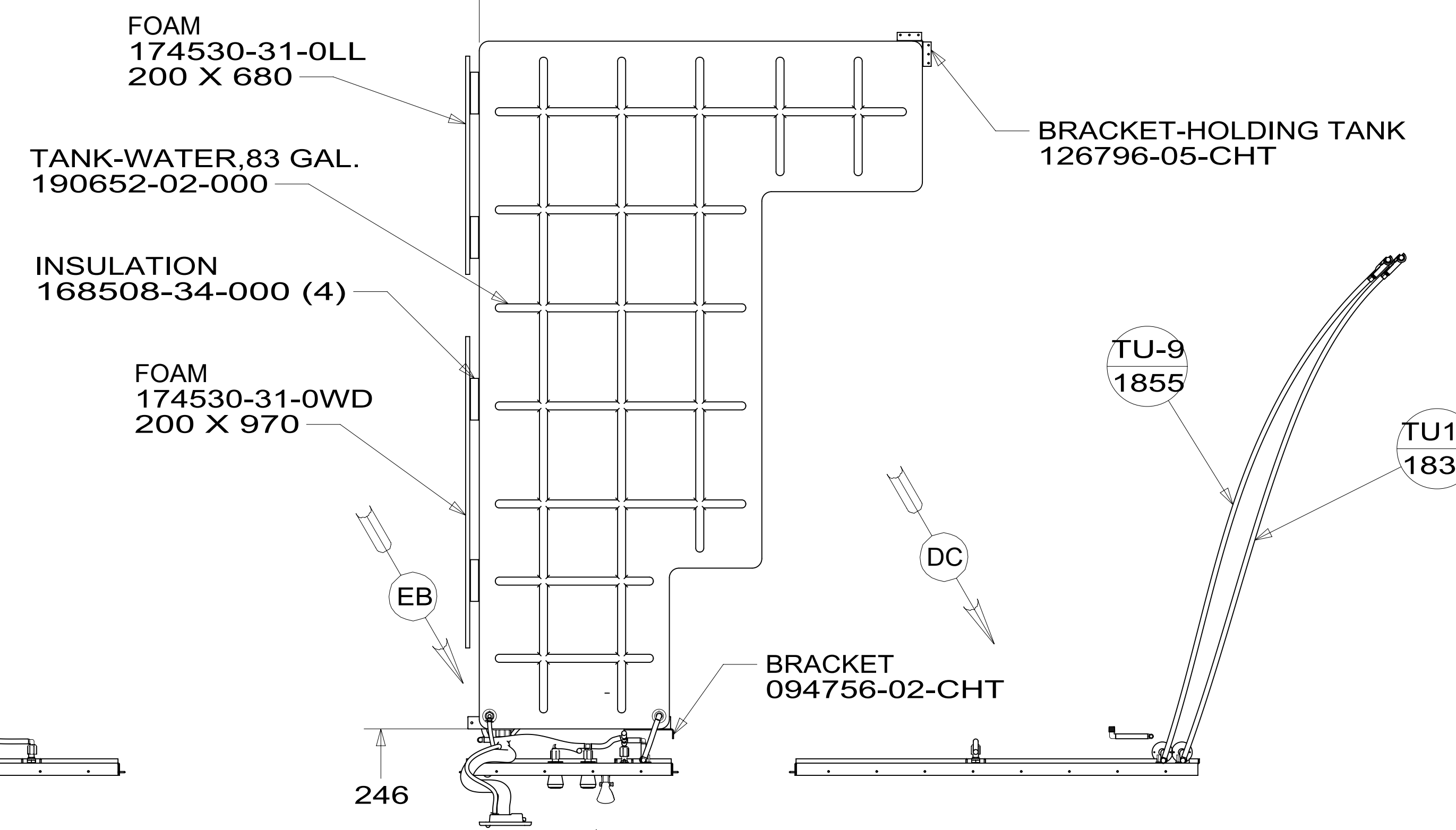
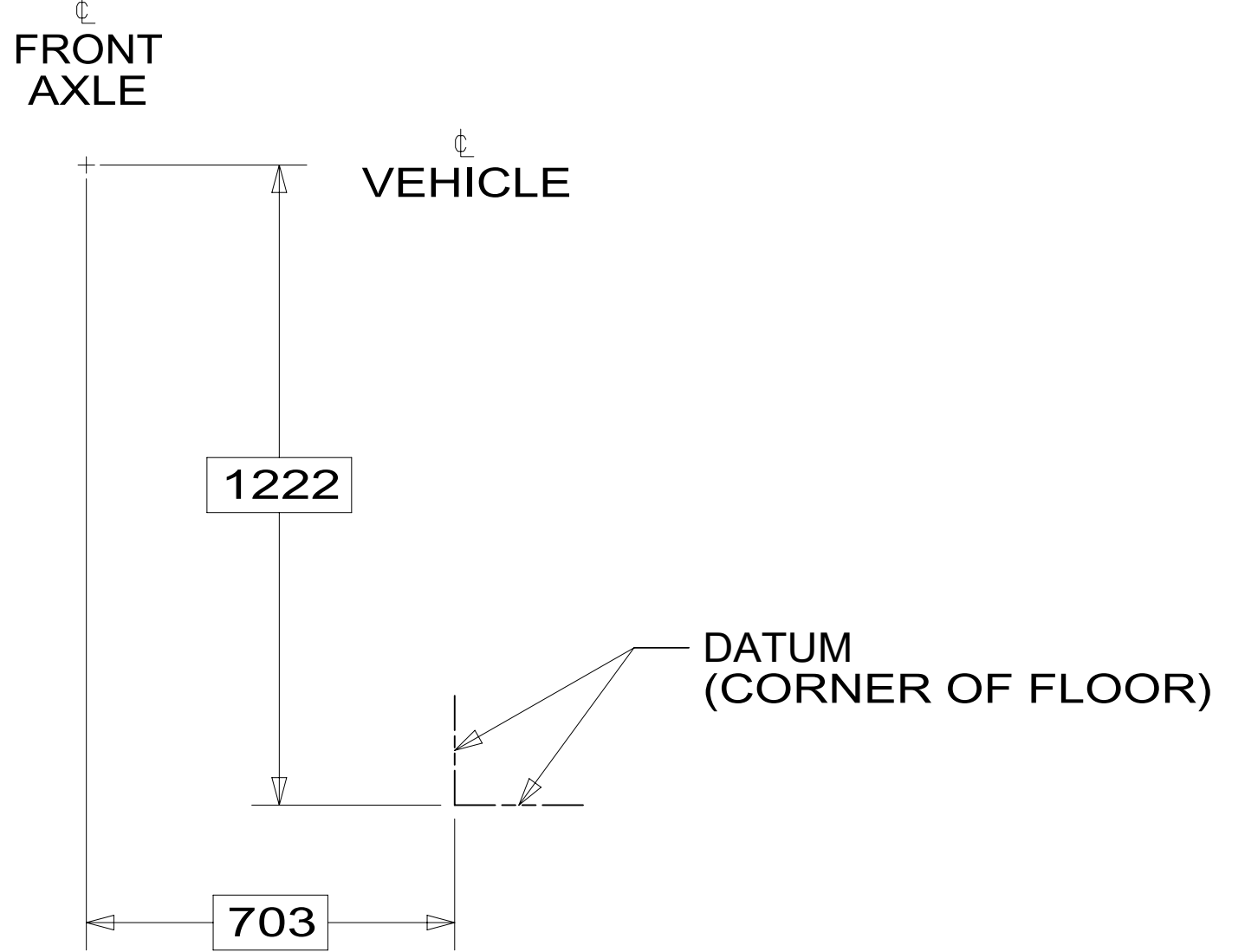




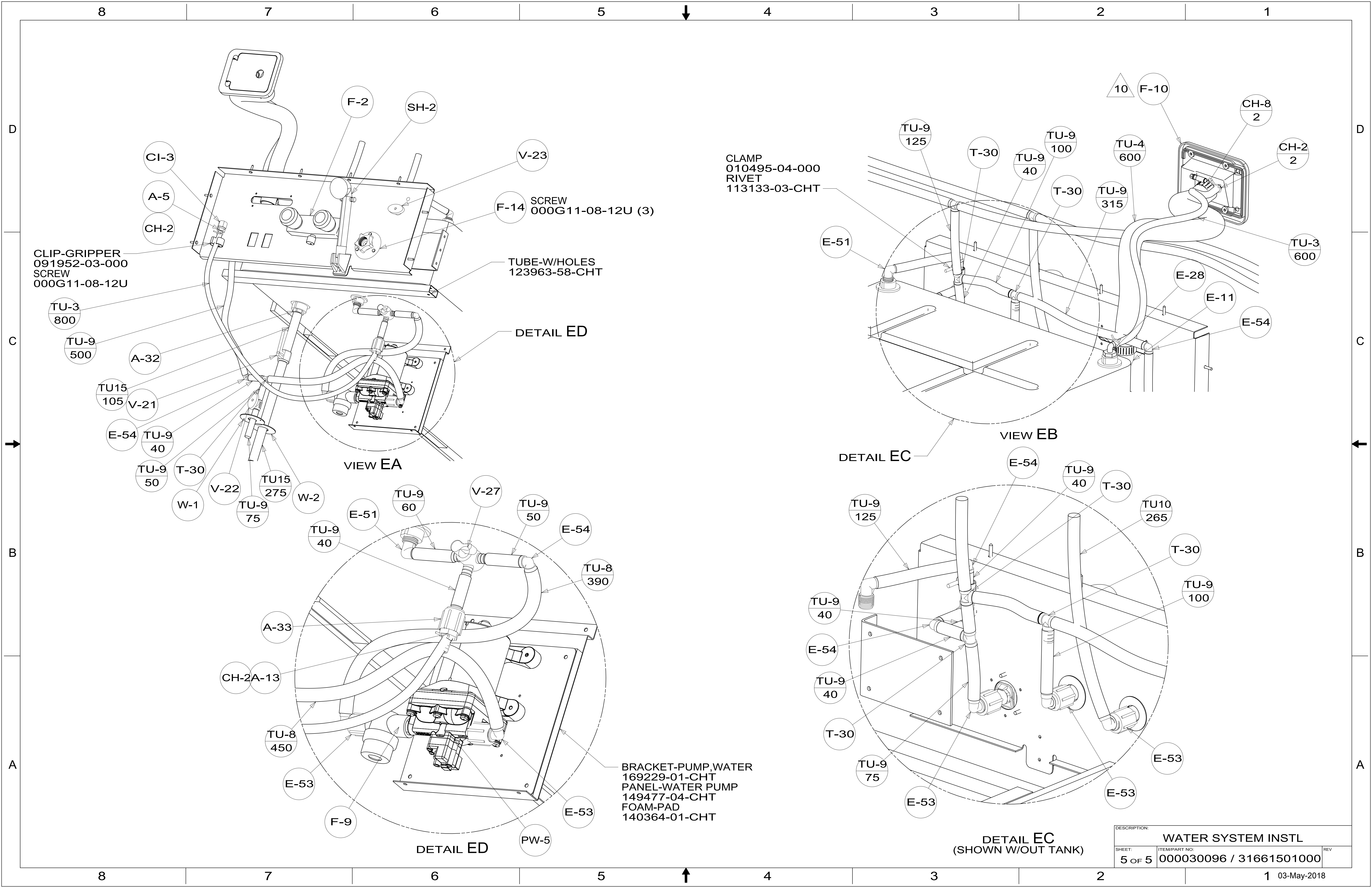
DESCRIPTION:		
WATER SYSTEM INSTL		
SHEET:	ITEM/PART NO:	REV
3 OF 5	000030096 / 31661501000	



SHOWING TOP VIEW COMPTS UNDER FLOOR



DESCRIPTION:		
WATER SYSTEM INSTL		
SHEET:	ITEM/PART NO.:	REV
4 OF 5	000030096 / 31661501000	



CLIP-GRIPPER
091952-03-000
SCREW
000G11-08-12U

F-14 SCREW
000G11-08-12U (3)

TUBE-W/HOLES
123963-58-CHT

CLAMP
010495-04-000
RIVET
113133-03-CHT

BRACKET-PUMP, WATER
169229-01-CHT
PANEL-WATER PUMP
149477-04-CHT
FOAM-PAD
140364-01-CHT

DESCRIPTION:		
WATER SYSTEM INSTL		
SHEET:	ITEM/PART NO:	REV
5 OF 5	000030096 / 31661501000	