

8 7 6 5 4 3 2 1

D

D

C

C

B

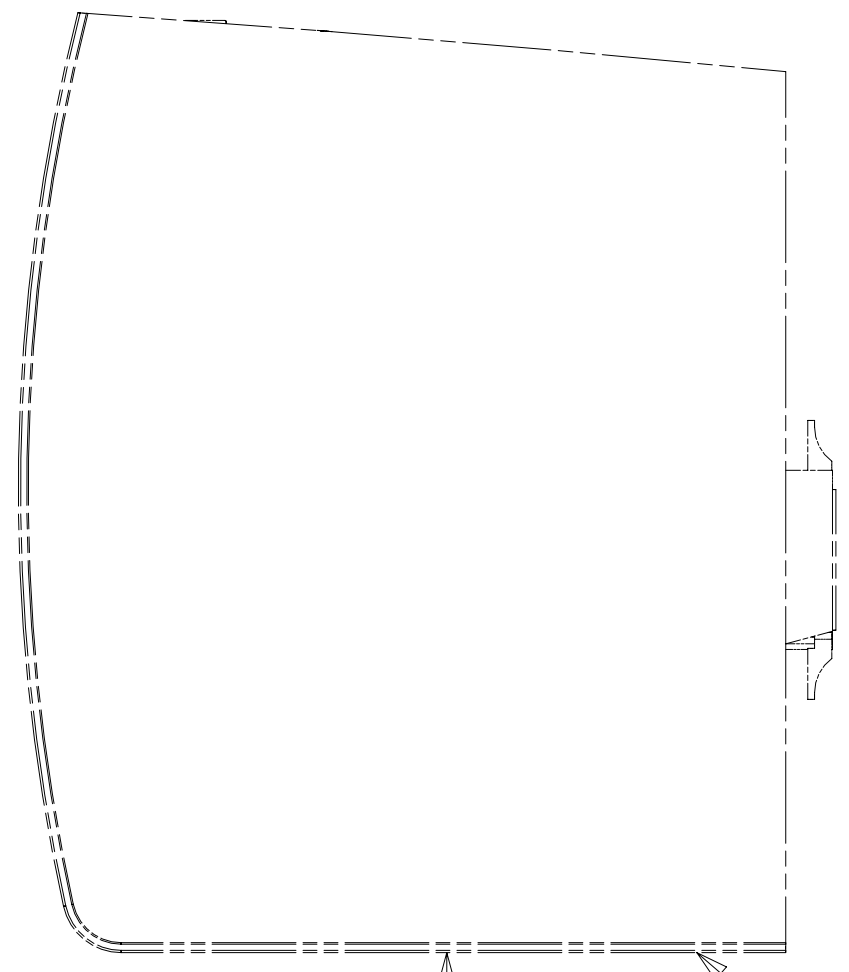
B

A

A



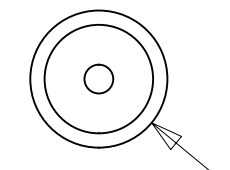
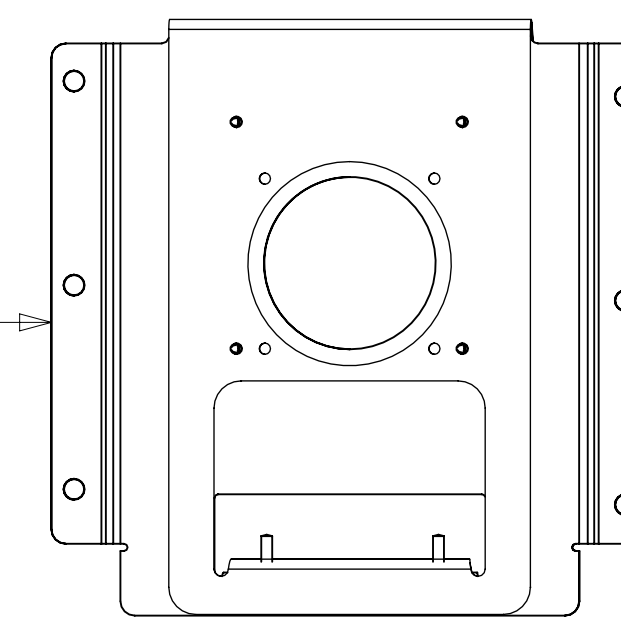
WARDROBE CABT
(REF)



OVHD CABT
(REF)

83

175



GROMMET
23942-01-000

BRACKET-TV
000201513 / 302642-01-CHT
SCREW
G11-10-10U (6)

VIEW AA
(TV NOT SHOWN)

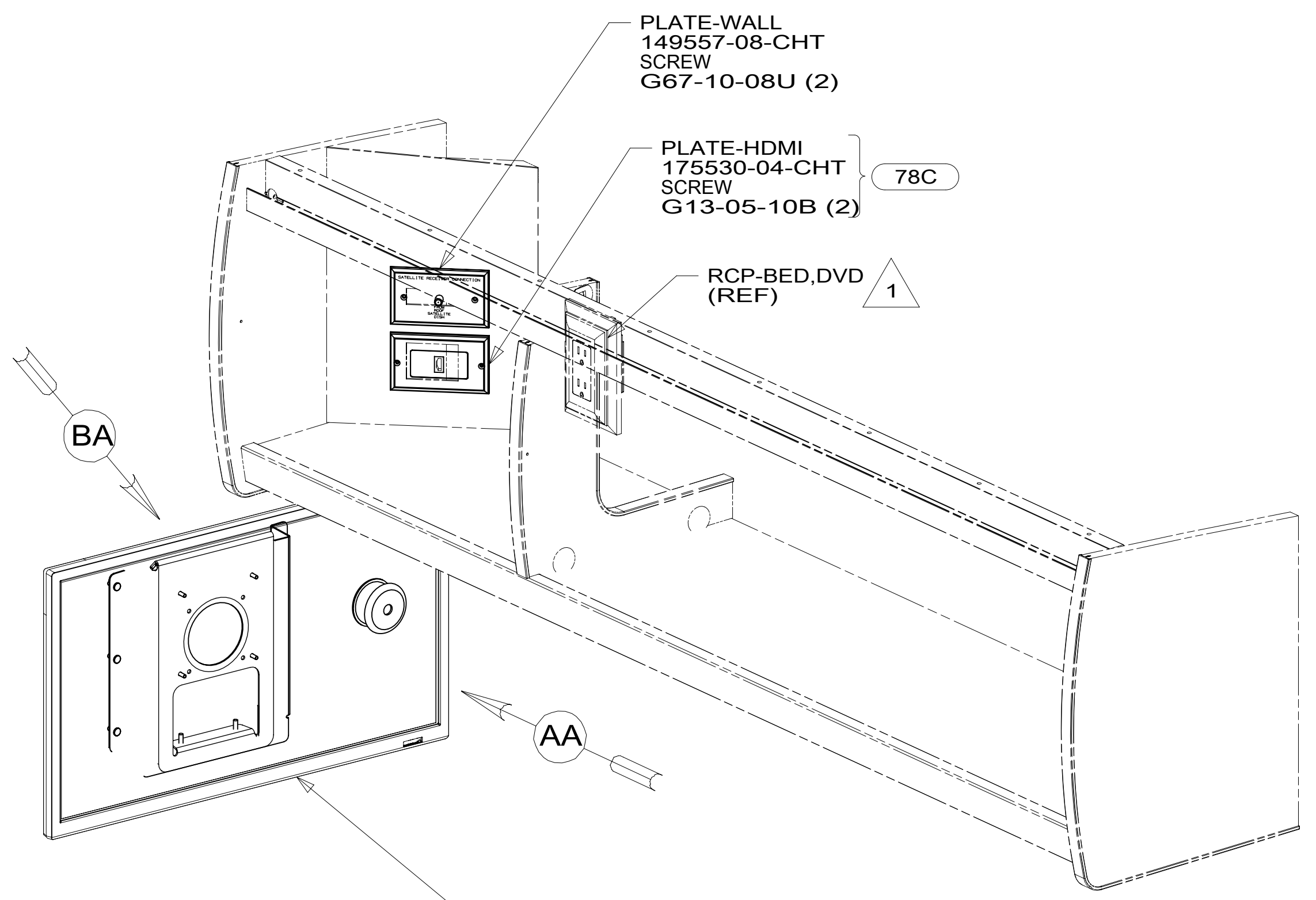


PLATE-WALL
149557-08-CHT
SCREW
G67-10-08U (2)

PLATE-HDMI
175530-04-CHT
SCREW
G13-05-10B (2)

78C

RCP-BED,DVD
(REF) 1

BA

AA

TV-24" HDTV, 110 VAC
000032947 / 317377-01-000
SCREW
OMG02U-04-012 (4)
WASHER
OME02U-04-071 (4)
PLATE-MOUNTING
000178276 / 302643-01-CHT
SCREW
G39-10-08U (2)

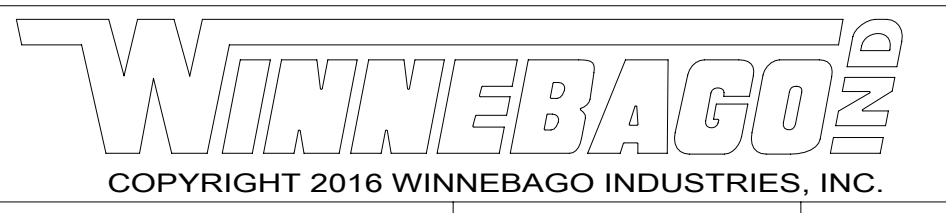
78C SATellite SYSTEM READY

68X TV - BEDROOM

265 CODES/STANDARDS-CSA/CMVSS

1B1 CODES/STANDARDS USA

1B1 265 68X



DSNR:		ALL DIMENSIONS ARE IN MILLIMETERS	
DFFR:		MATERIAL:	
UNSPECIFIED TOLERANCES:			
WHOLE DIM (X)	: 3		
ONE-PLACE (X.X)	: 1.5		
TWO-PLACE (X.XX)	: 0.50		
ANGLE	: 1°		
REFER TO ES0018 FOR FASTENER TIGHTENING GUIDELINES		WEIGHT: (LBS)	FIRST USED:
			17 H25T

FOR ELECTRICAL TORQUE SPECIFICATIONS SEE DWG NO. 128783-01-000

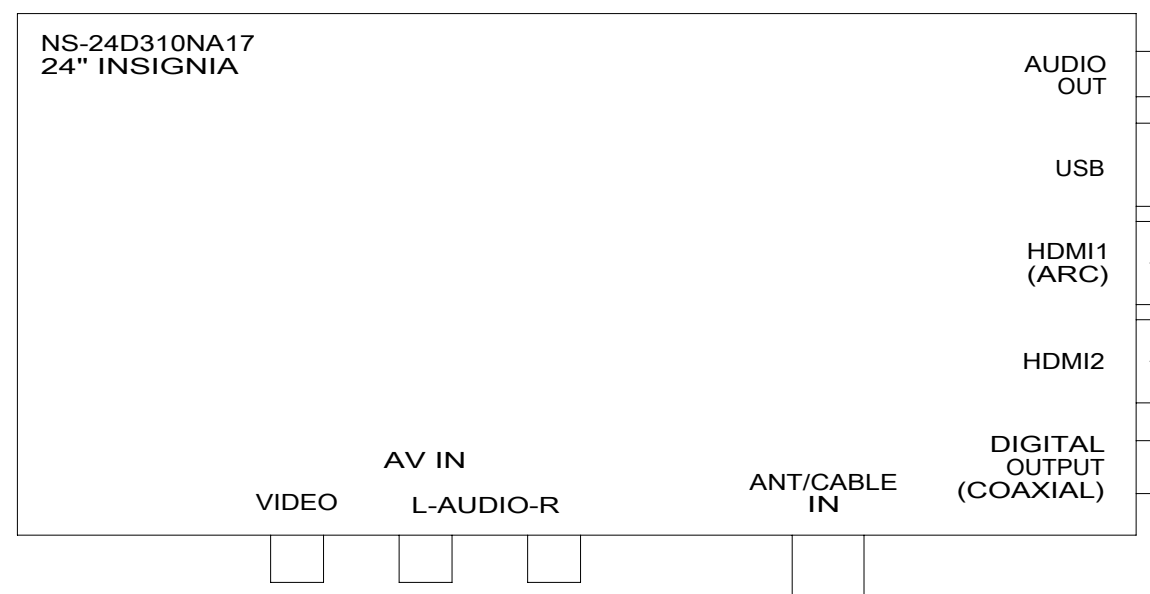
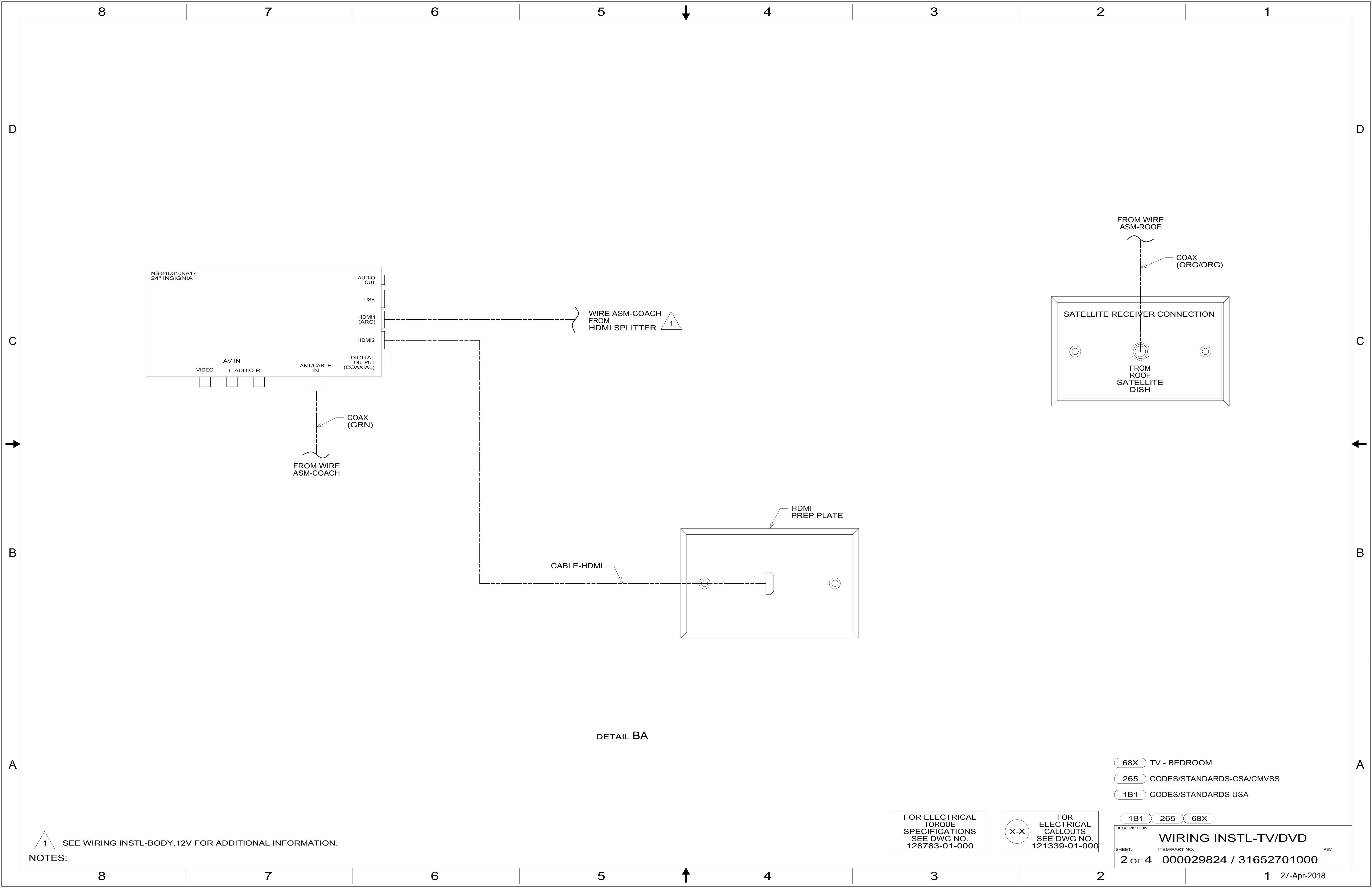
FOR ELECTRICAL CALLOUTS SEE DWG NO. 121339-01-000

1 SEE WIRING INSTL-BODY,110V FOR ADDITIONAL INFORMATION.

NOTES:

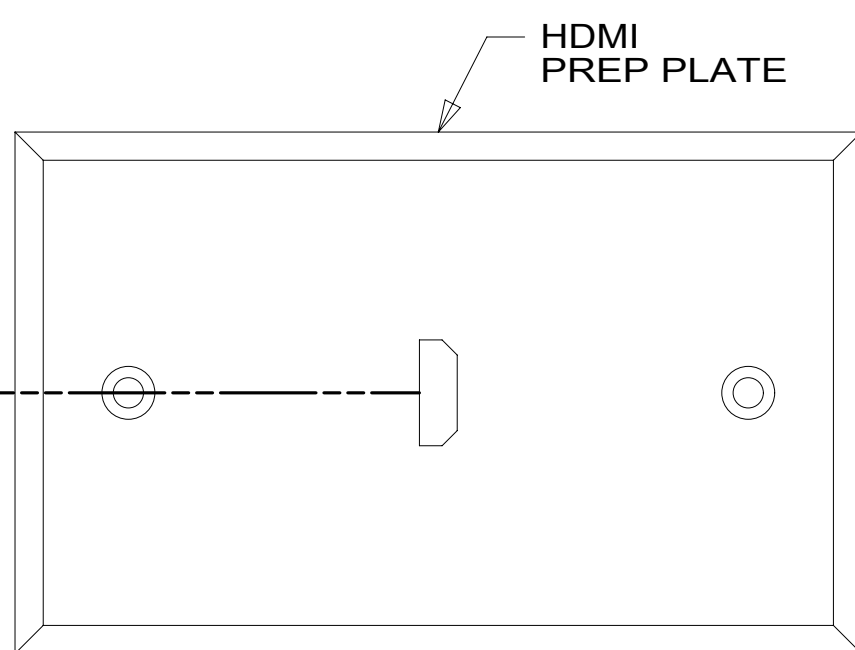
DESCRIPTION: WIRING INSTL-TV/DVD		
SHEET: 1 OF 4	ITEM/PART NO: 000029824 / 31652701000	REV:
REF:		1 27-Apr-2018

8 7 6 5 4 3 2 1

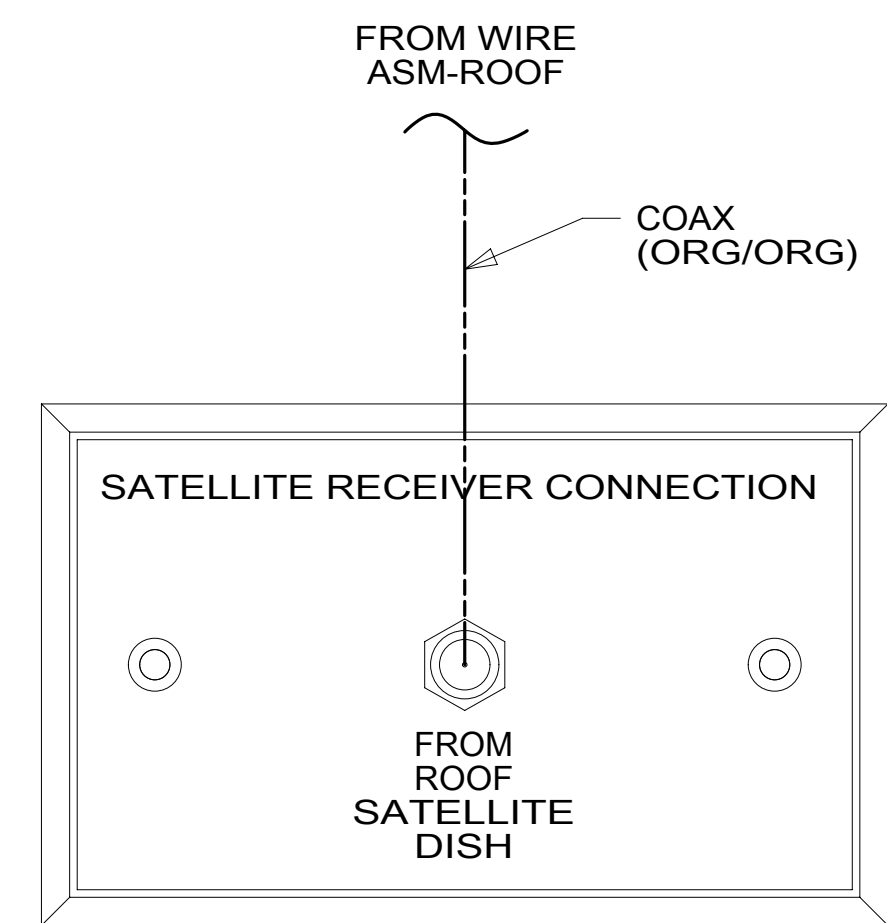


FROM WIRE ASM-COACH
COAX (GRN)

WIRE ASM-COACH FROM HDMI SPLITTER 1



CABLE-HDMI



DETAIL BA

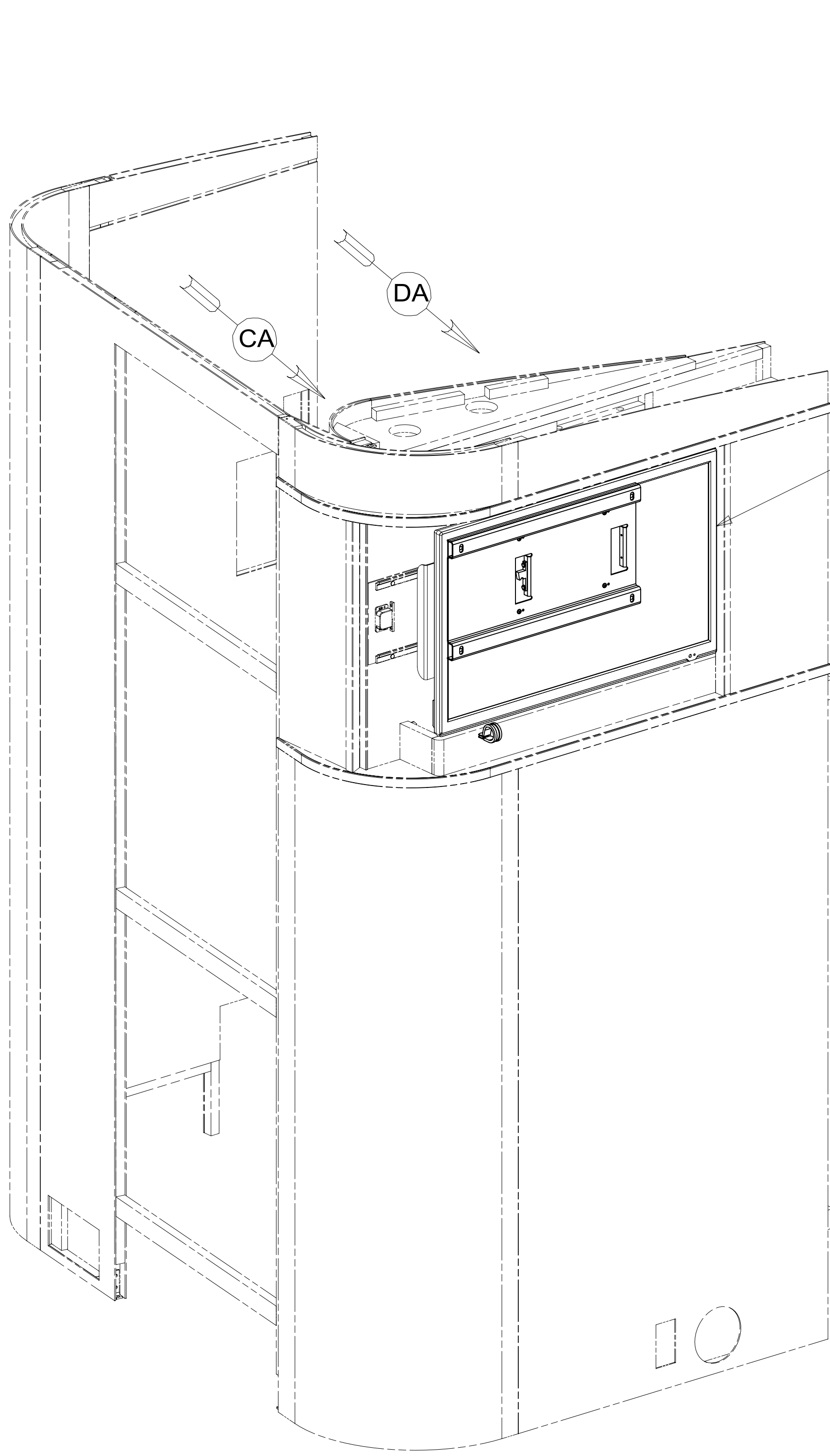
NOTES:
1 SEE WIRING INSTL-BODY, 12V FOR ADDITIONAL INFORMATION.

FOR ELECTRICAL TORQUE SPECIFICATIONS SEE DWG NO. 128783-01-000

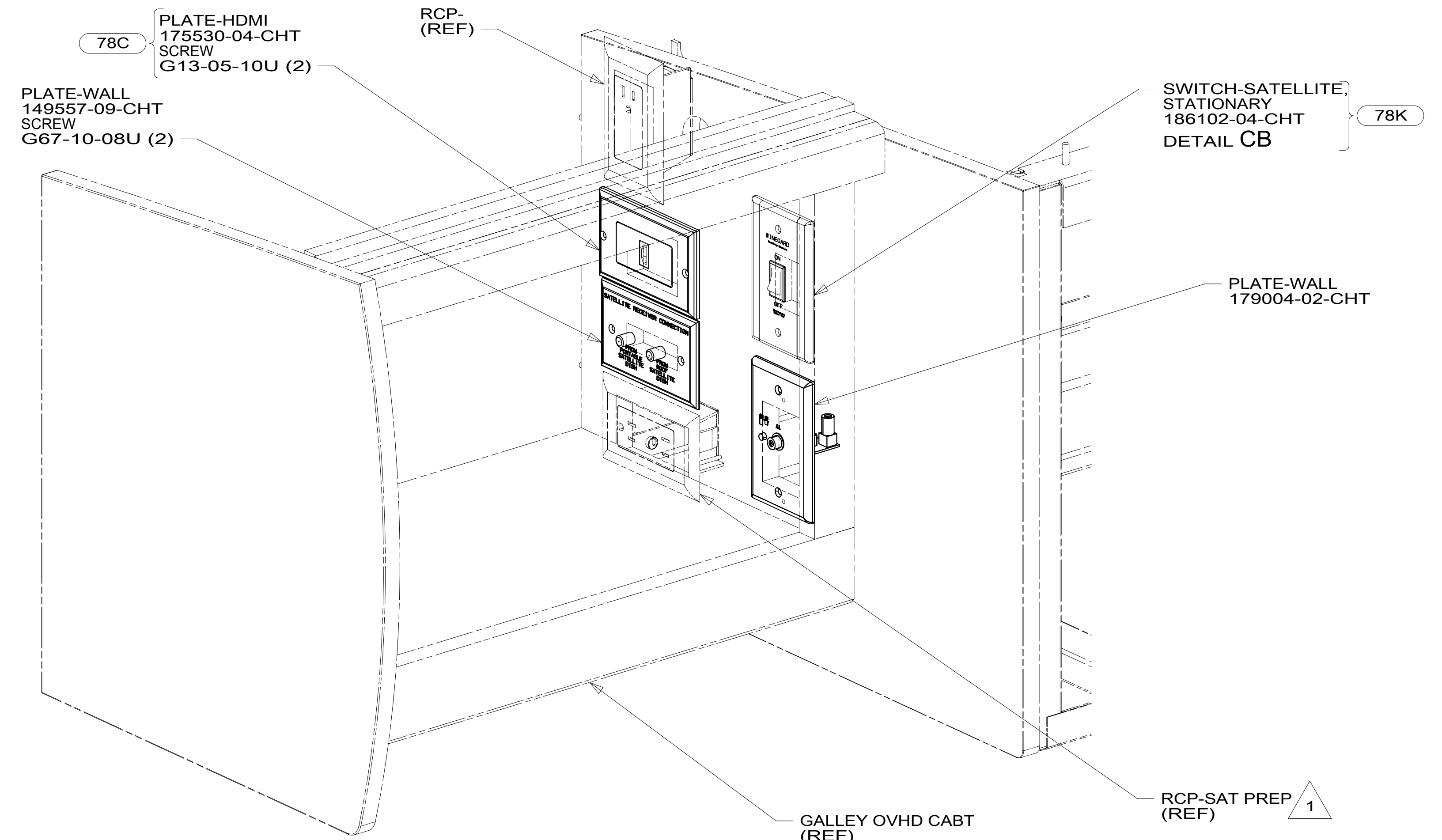
FOR ELECTRICAL CALLOUTS SEE DWG NO. 121339-01-000

- 68X TV - BEDROOM
- 265 CODES/STANDARDS-CSA/CMVSS
- 1B1 CODES/STANDARDS USA

DESCRIPTION: WIRING INSTL-TV/DVD		
1B1	265	68X
SHEET: 2 OF 4	ITEM/PART NO: 000029824 / 31652701000	REV



TV-28" HDTV 110 VAC
 000032948 / 317355-01-000
 BRACKET ASM-TV,28"RCA
 000038006 / 318702-01-CHT
 SCREW-MS,M5X0,8X12PPH
 0MG02U-05-012 (4)
 BRACKET ASM-TV
 177831-01-XXX
 NUT-HEX-SER FLG LK 1/4-20
 000D39-04-00U (4)



78C PLATE-HDMI
 175530-04-CHT
 SCREW
 G13-05-10U (2)

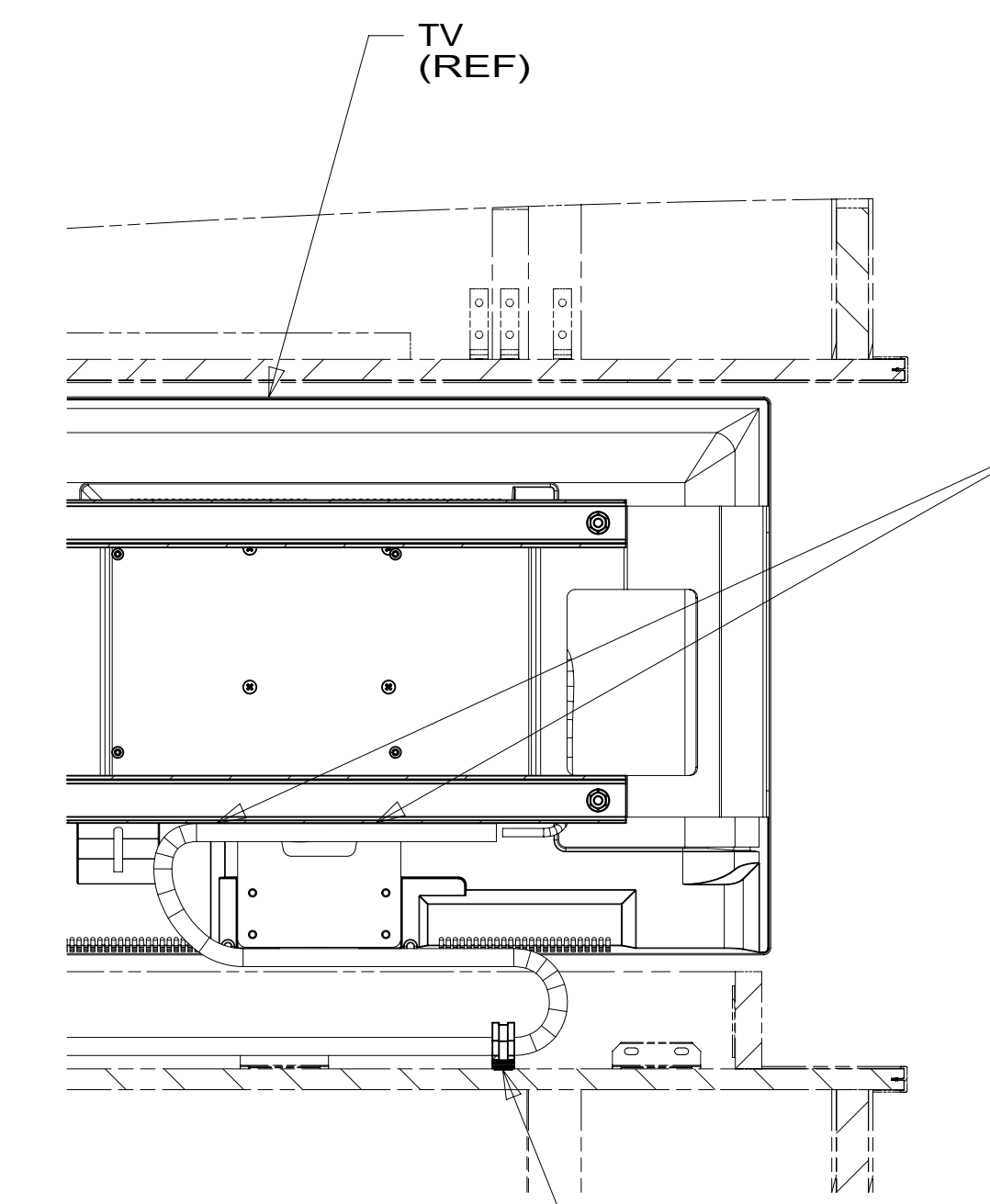
PLATE-WALL
 149557-09-CHT
 SCREW
 G67-10-08U (2)

SWITCH-SATELLITE,
 STATIONARY
 186102-04-CHT
 DETAIL CB 78K

PLATE-WALL
 179004-02-CHT

GALLEY OVHD CABT
 (REF)

RCP-SAT PREP
 (REF) 1

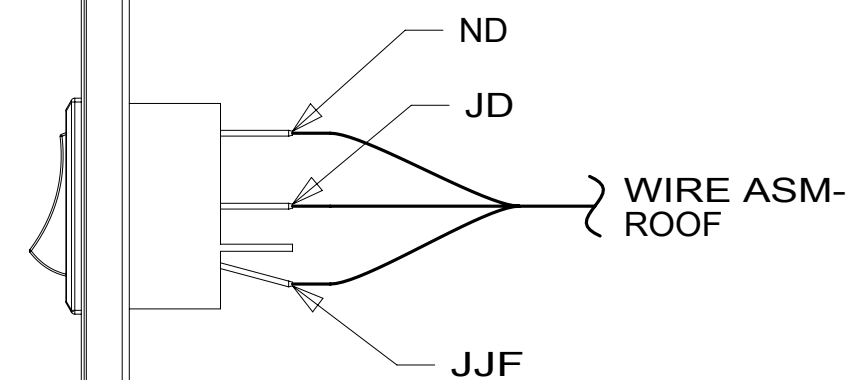


TIE-WIRE
 8343-02-000
 (TO HOLE IN
 BRACKET)

CLAMP
 10497-03-000 (2)
 SCREW
 G11-08-12U (2)

SWITCH-SATELLITE
 (REF)

SCREW
 G12-06-12U (2)



DETAIL CB 78K

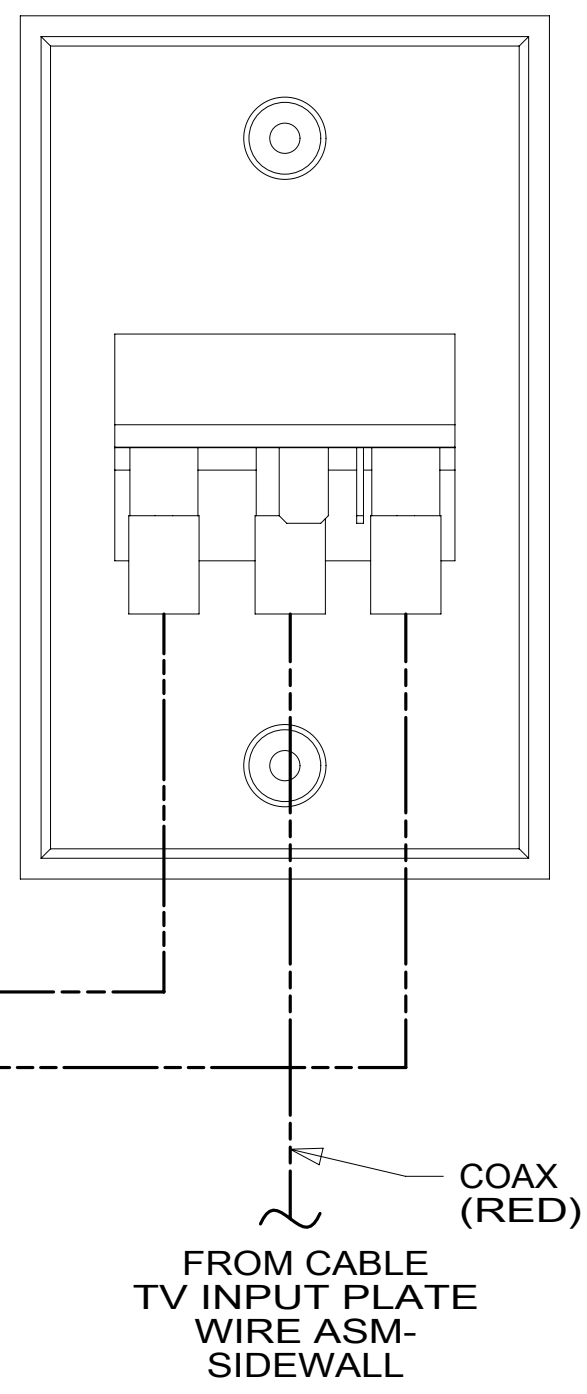
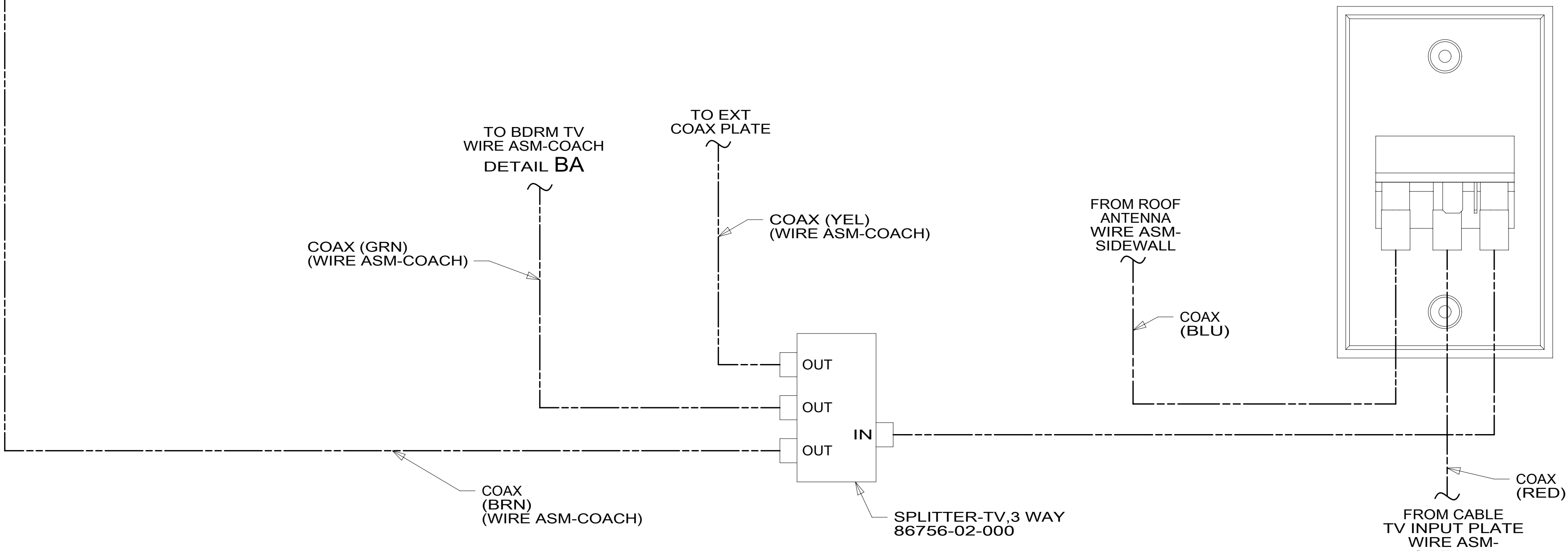
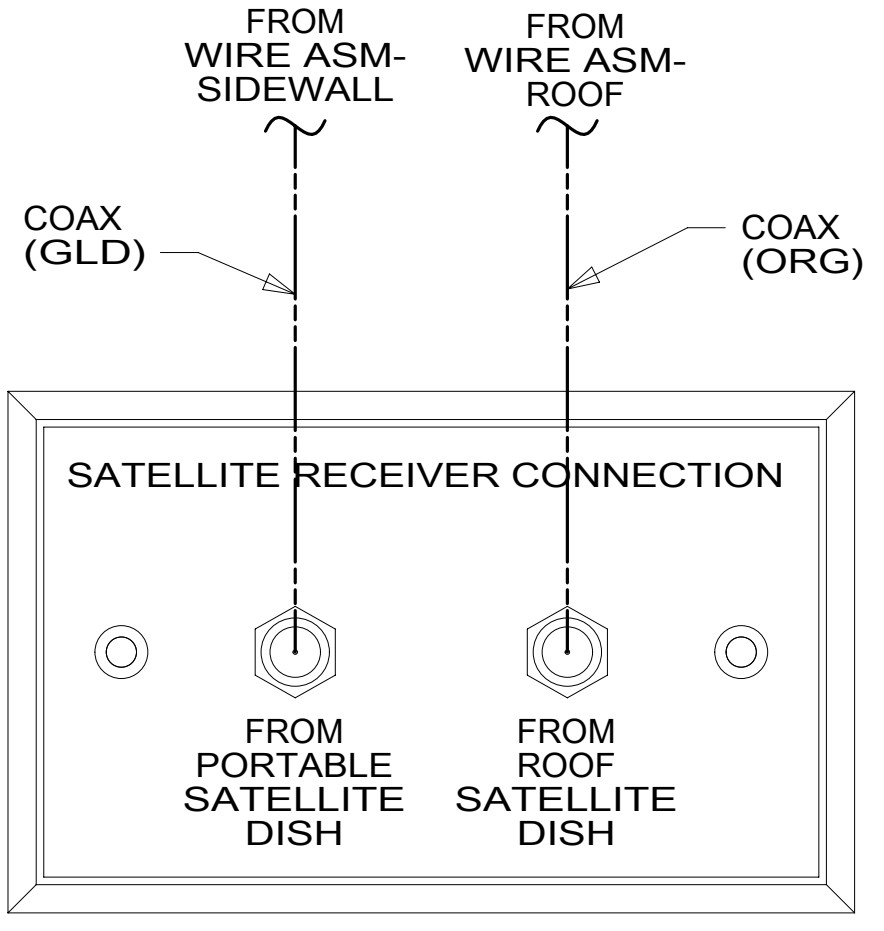
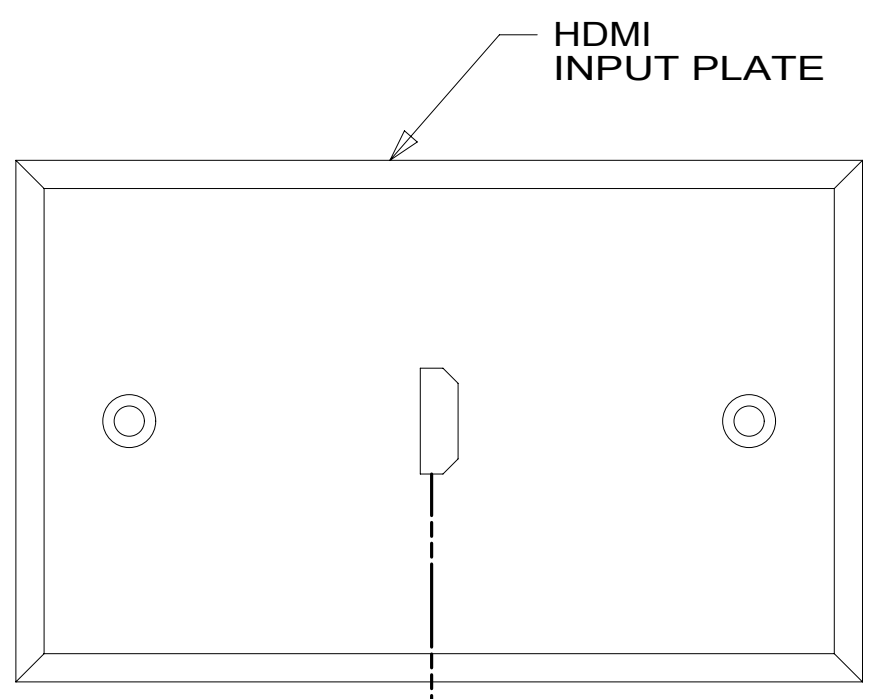
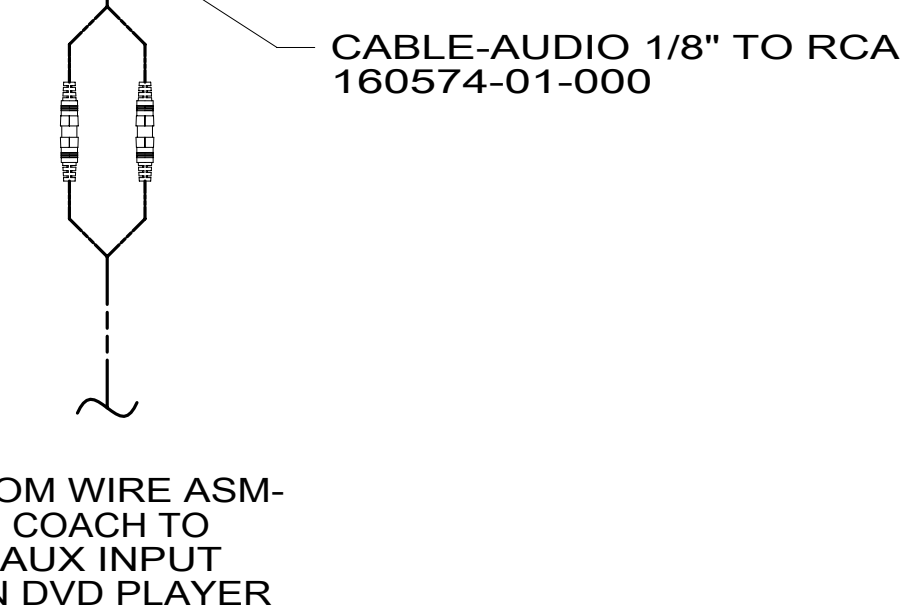
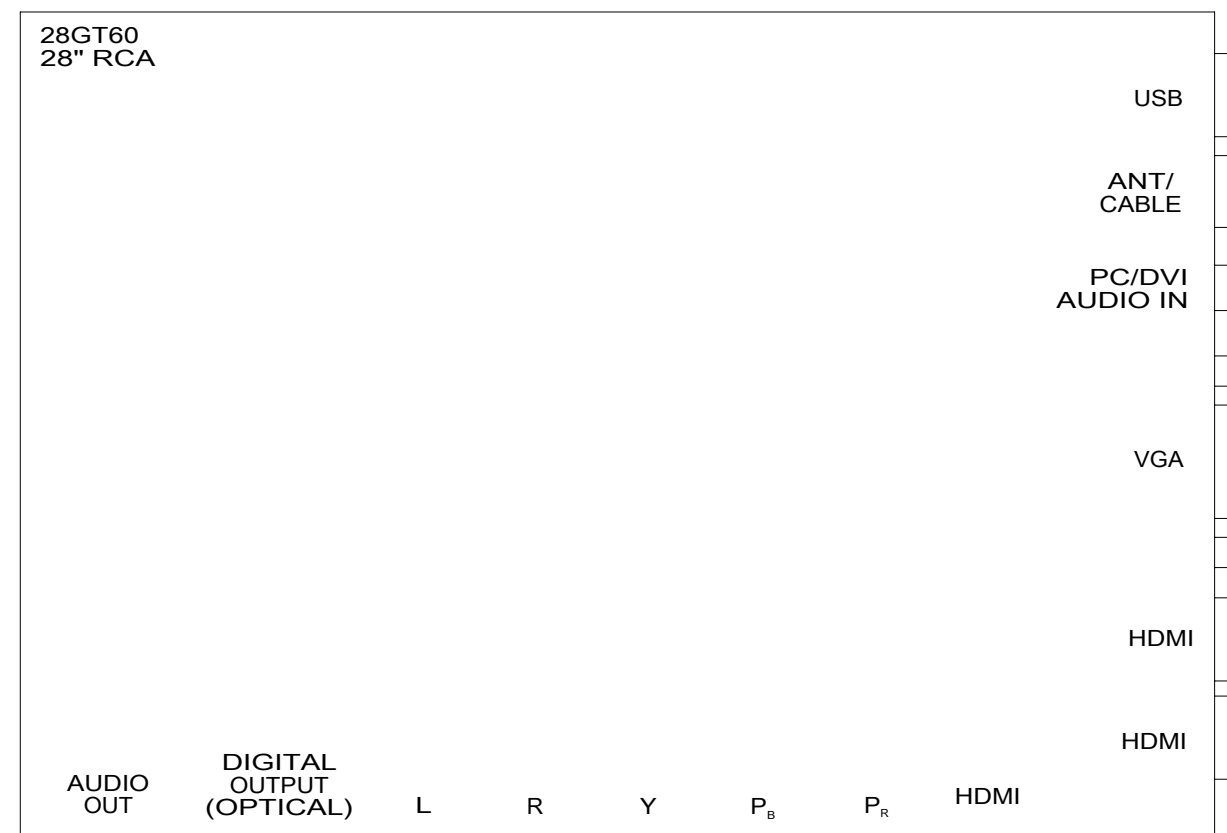
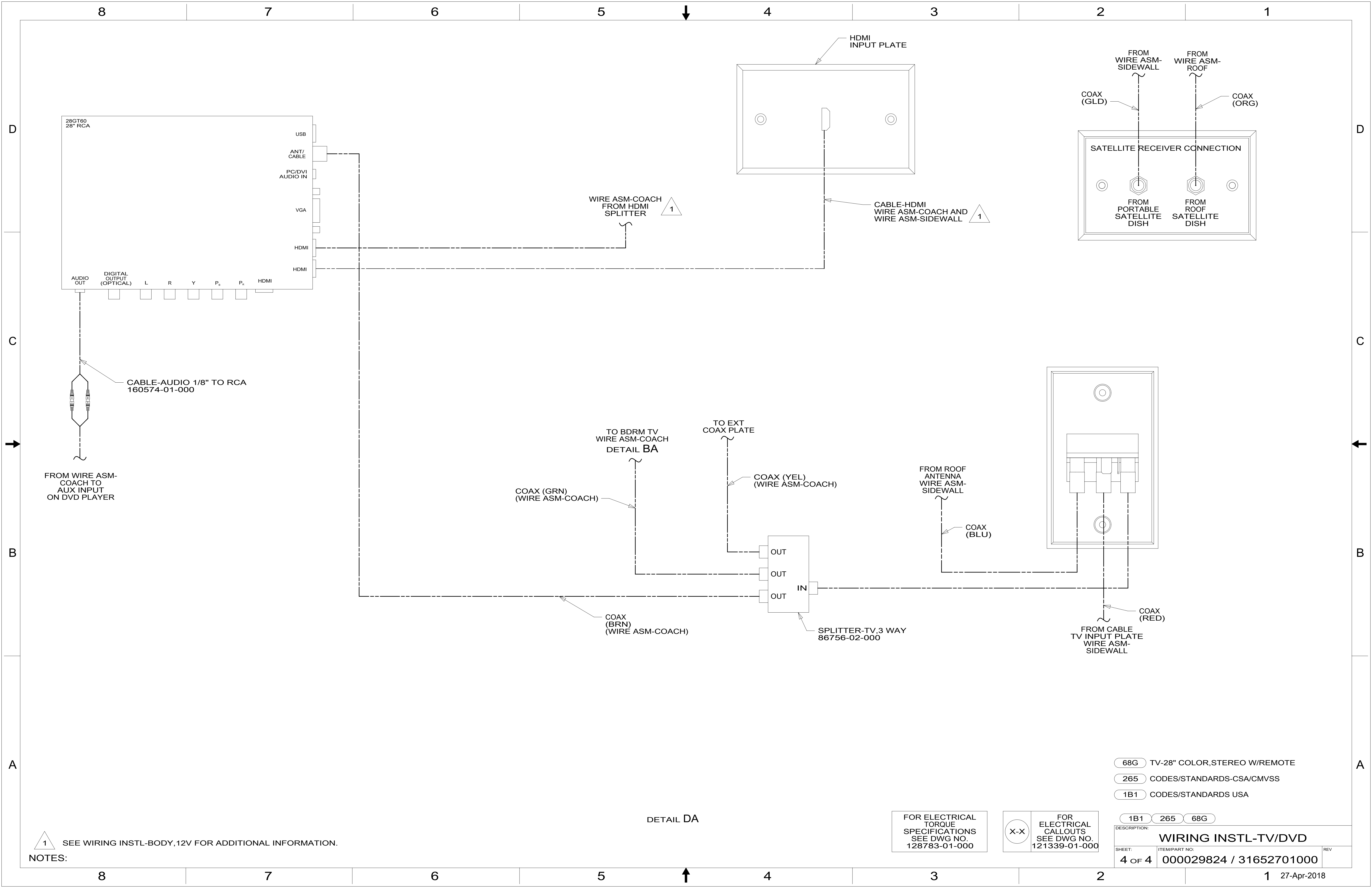
2 DIMENSION BETWEEN THE SHELF AND THE BOTTOM OF THE TV.
 1 SEE WIRING INSTL-BODY,110V FOR ADDITIONAL INFORMATION.

FOR ELECTRICAL
 TORQUE
 SPECIFICATIONS
 SEE DWG NO.
 128783-01-000

FOR ELECTRICAL
 CALLOUTS
 SEE DWG NO.
 121339-01-000

- 78C SATELLITE SYSTEM READY
- 78K SATELLITE TV SYSTEM AUTO
- 68G TV-28" COLOR,STEREO W/REMOTE
- 265 CODES/STANDARDS-CSA/CMVSS
- 1B1 CODES/STANDARDS USA

DESCRIPTION: WIRING INSTL-TV/DVD		
SHEET: 3 OF 4	ITEM/PART NO: 000029824 / 31652701000	REV



NOTES:
 1 SEE WIRING INSTL-BODY, 12V FOR ADDITIONAL INFORMATION.

DETAIL DA

FOR ELECTRICAL TORQUE SPECIFICATIONS SEE DWG NO. 128783-01-000

FOR ELECTRICAL CALLOUTS SEE DWG NO. 121339-01-000

- 68G TV-28" COLOR, STEREO W/REMOTE
- 265 CODES/STANDARDS-CSA/CMVSS
- 1B1 CODES/STANDARDS USA

DESCRIPTION: WIRING INSTL-TV/DVD		
SHEET: 4 OF 4	ITEM/PART NO: 000029824 / 31652701000	REV