

8

7

6

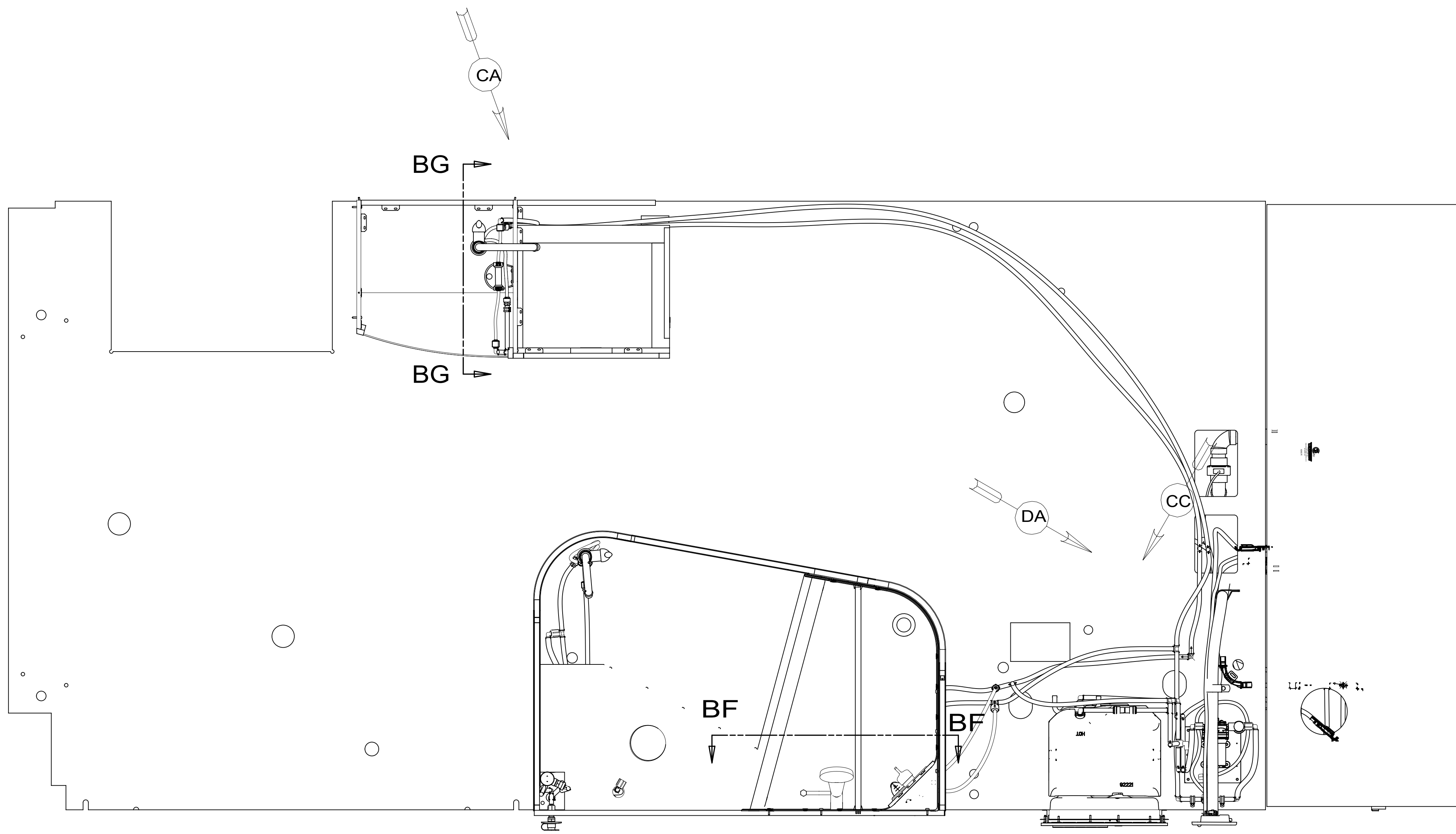
5

4

3

2

1



- 10. INSTALL BETWEEN MOUNTING PLATE AND RETAINING NUTS.
- 9. INSTALL CONNECTOR WITH TAPERED END AWAY FROM FAUCET.
- 8. ALL CRIMP FITTINGS TO 1/2" PEX TUBING REQUIRE 1/2" CLAMP 140171-03-000.
- 7. ALL CRIMP FITTINGS TO 5/8" PEX TUBING REQUIRE 5/8" CLAMP 140171-04-000.
- 6. LABEL HOT AND COLD SUPPLY TUBES AND TAPE FITTING TO TUBE BEFORE CABINET SET TO PREVENT MOVEMENT.
- 5. ADD PIPE WRAP (LADDER SCRAP 110157-02-000) INSULATION.
- 4. ADD TEFLON TAPE 010405-02-000.
- 3. ALL TUBING TO BE SECURED AT 1200 INTERVALS MAXIMUM WITH CLAMP 010495-01-000 AND SCREW 000G67-10-12U OR EQUIVALENT.
- 2. TUBING TO BE INSTALLED WITH SUFFICIENT SLOPE TO PROVIDE DRAINAGE TO NEAREST VALVE.
- 1. PLASTIC FITTINGS TO BE SEALED WITH SEALANT 084456-01-000.

NOTES:

X-X

FOR  
WATER  
CALLOUTS  
SEE DWG NO.  
000209446 /  
303369-01-000

**WINNEBAGO**<sup>®</sup>  
COPYRIGHT 2024 WINNEBAGO INDUSTRIES, INC.

DSNR:		ALL DIMENSIONS ARE IN MILLIMETERS	
DFTR:		⊕	
UNSPECIFIED TOLERANCES:		MATERIAL:	
WHOLE DIM (X)	3		
ONE-PLACE (X.X)	1.5		
TWO-PLACE (X.XX)	0.50		
ANGLE	1°		
REFER TO ES0018 FOR FASTENER TIGHTENING GUIDELINES		WEIGHT: (LBS)	FIRST USED: (REF)
			17 H25T
DESCRIPTION: <b>WATER SYSTEM INSTL</b>			
SHEET:	ITEM/PART NO.:	REV	
1 OF 4	000029191 / 31639501000		
REF:		1 30-Jan-2024	

8

7

6

5

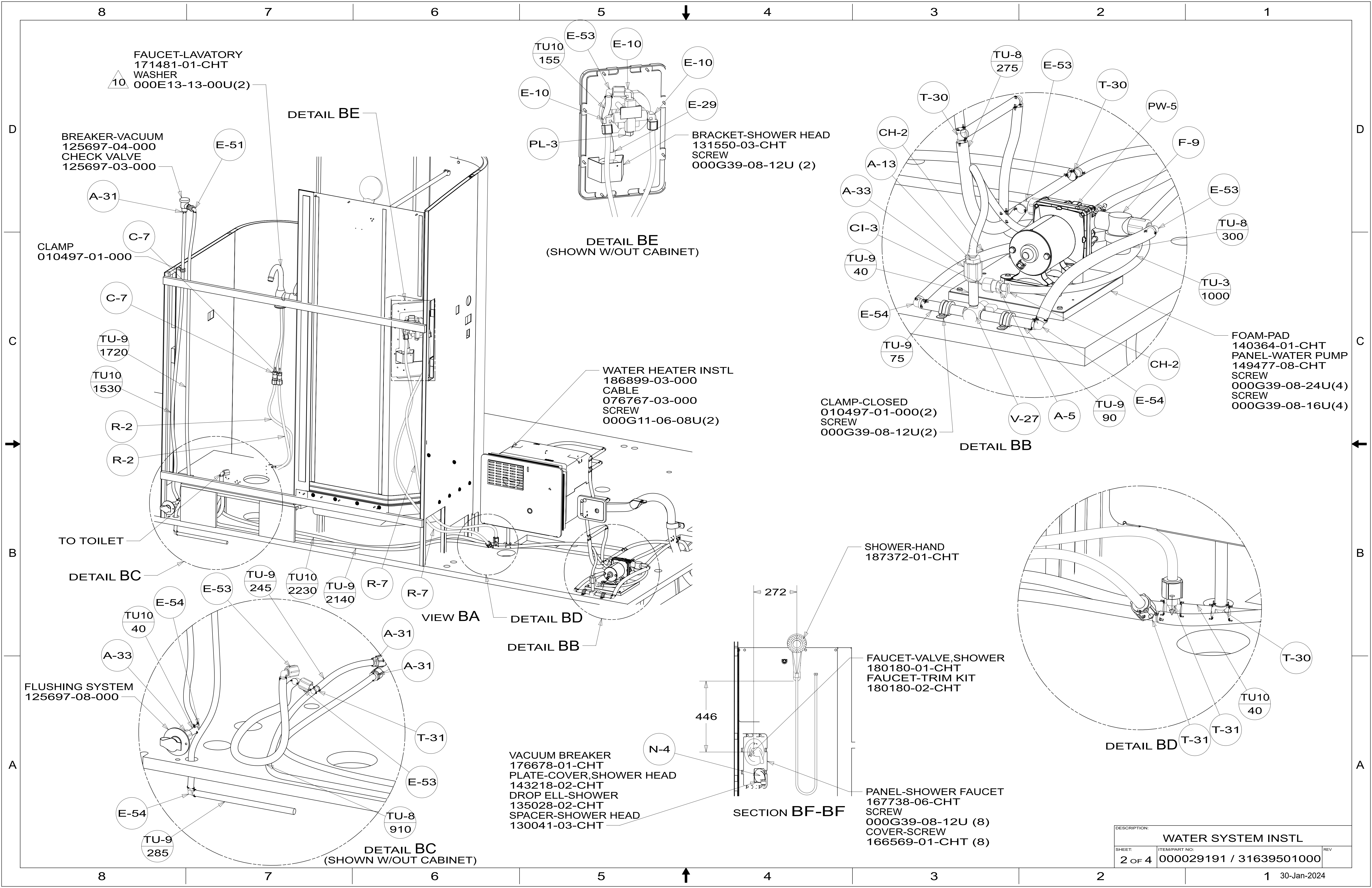
4

3

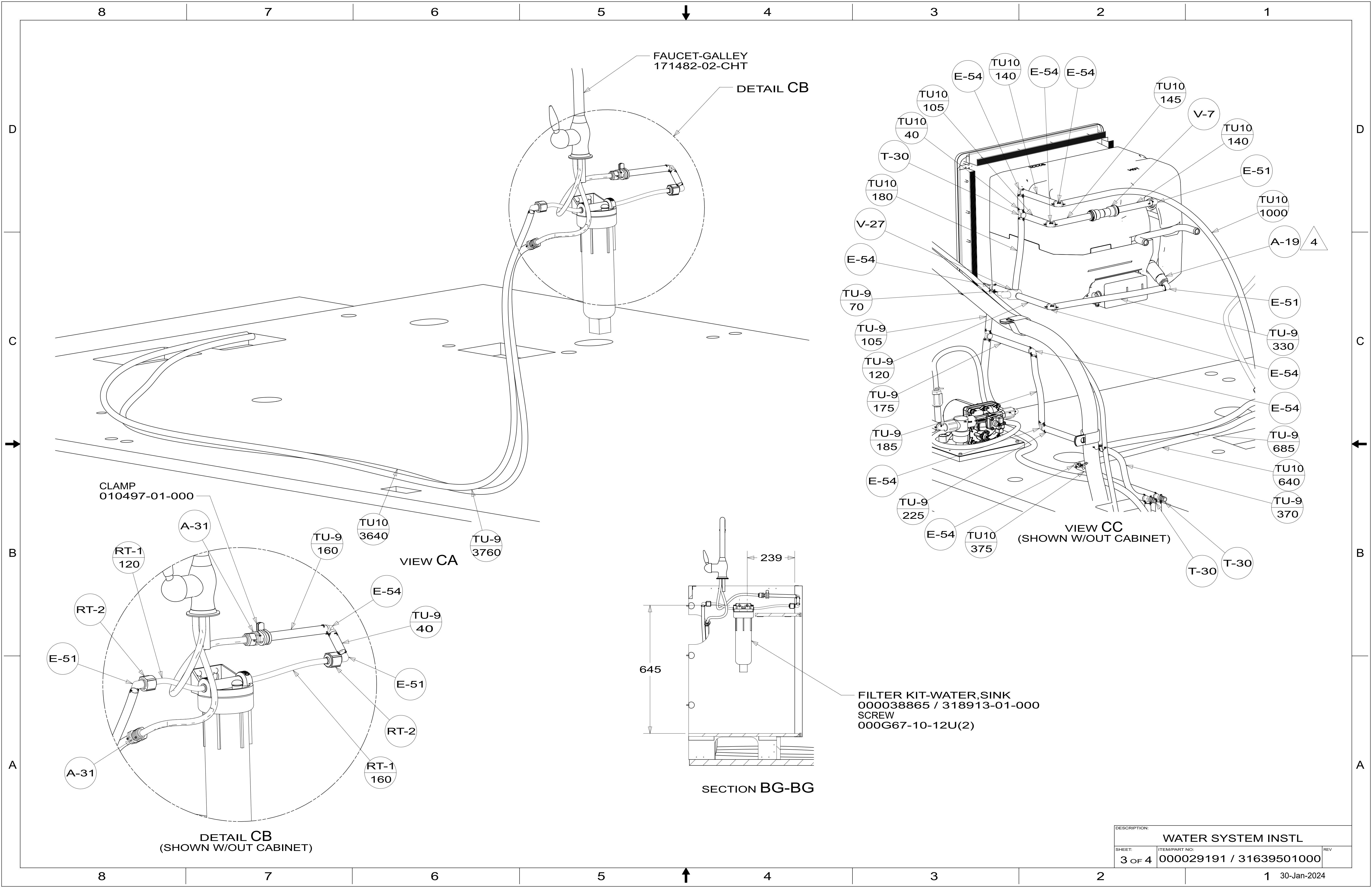
2

1

1 30-Jan-2024



DESCRIPTION:		
WATER SYSTEM INSTL		
SHEET:	ITEM/PART NO.:	REV:
2 OF 4	000029191 / 31639501000	



TANK ASM-WATER,28 GAL  
 000033272 / 317511-01-000  
 STRAP-TANK,WATER  
 118994-01-CHT(2)  
 WASHER  
 000E13-18-00U(4)  
 NUT  
 000D39-06-00U(8)

CLAMP-CLOSED  
 010497-04-000(2)

INSULATION-DRAINAGE COMPT,RECT  
 000033981 / 317684-01-000 (2)  
 INSULATION-DRAINAGE COMPT  
 000033962 / 317685-01-000 (2)  
 INSULATION-DRAINAGE COMPT  
 168508-26-000

PANEL-ELECTRICAL  
 151707-03-CHT

DETAIL DB  
 (SHOWN W/OUT COMPT)

PANEL-SERVICE CENTER  
 166877-11-CHT  
 SCREW  
 000G39-08-08U(2)

CABLE-VALVE  
 062421-10-000

DESCRIPTION:		
WATER SYSTEM INSTL		
SHEET:	ITEM/PART NO.:	REV
4 OF 4	000029191 / 31639501000	

