

- 10. SECURE VALVE HANDLE W/SILICON.
- 9. PARTS TO BE ASSEMBLED AND ABLE TO BE REMOVED AND STORED AS A SINGLE ASM.
- 8. ALL CRIMP FITTINGS TO 1/2" PEX TUBING REQUIRE 1/2" CLAMP 140171-03-000.
- 7. ALL CRIMP FITTINGS TO 5/8" PEX TUBING REQUIRE 5/8" CLAMP 140171-04-000.
- 6. LABEL HOT AND COLD SUPPLY TUBES AND TAPE FITTING TO TUBE BEFORE CABINET SET TO PREVENT MOVEMENT.
- 5. ADD PIPE WRAP (LADDER SCRAP 110157-02-000) INSULATION.
- 4. ADD TEFLON TAPE 010405-02-000.
- 3. ALL TUBING TO BE SECURED AT 1200 INTERVALS MAXIMUM WITH CLAMP 010495-01-000 AND SCREW 000G67-10-12U OR EQUIVALENT.
- 2. TUBING TO BE INSTALLED WITH SUFFICIENT SLOPE TO PROVIDE DRAINAGE TO NEAREST VALVE.
- 1. PLASTIC FITTINGS TO BE SEALED WITH SEALANT 084456-01-000.

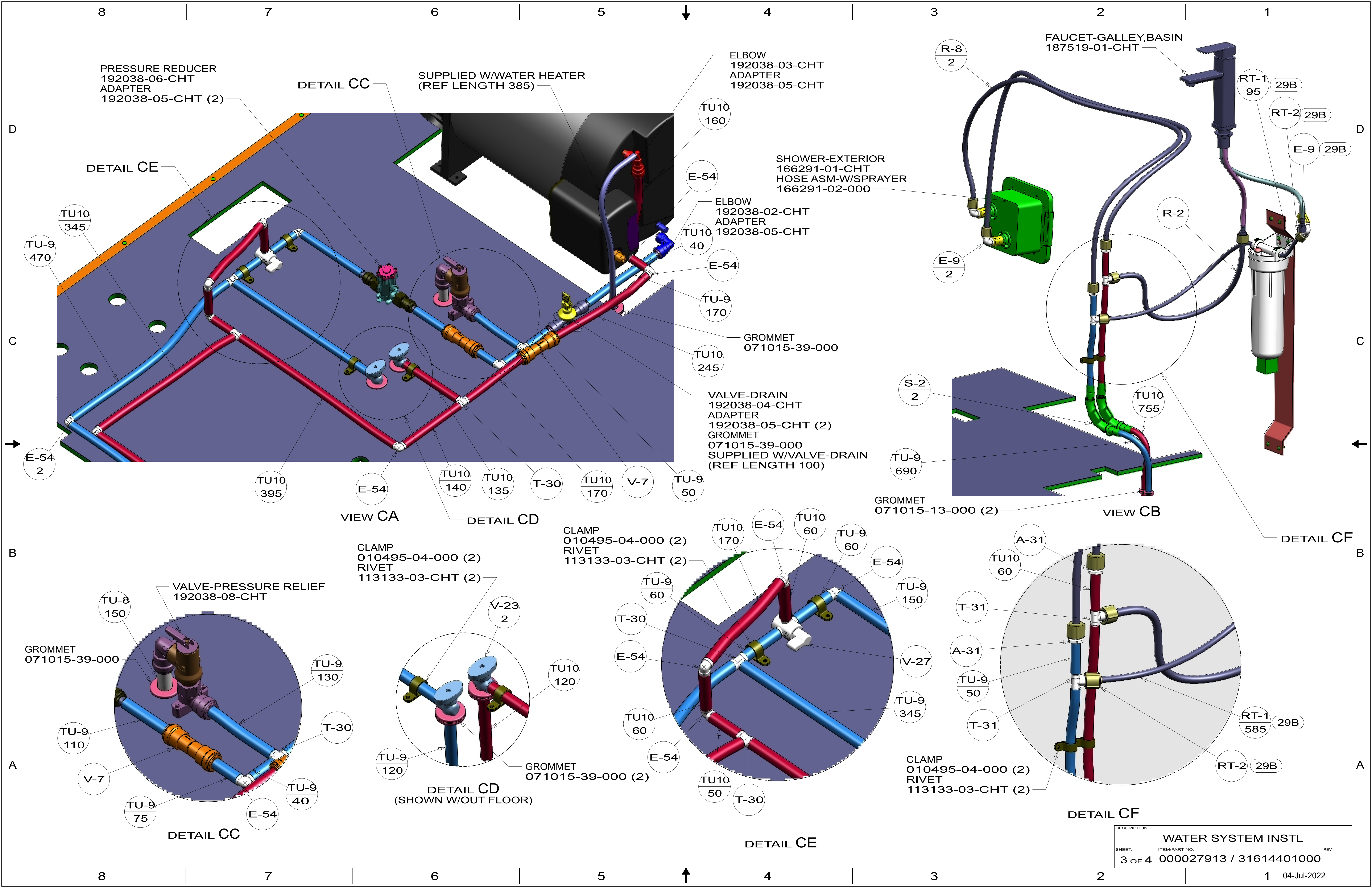
NOTES:

29B WATER PURIFIER



DSNR:		ALL DIMENSIONS ARE IN MILLIMETERS	
DFT:		MATERIAL:	
UNSPECIFIED TOLERANCES:			
WHOLE DIM (X)	3		
ONE-PLACE (X.X)	1.5		
TWO-PLACE (X.XX)	0.50		
ANGLE	1°		
REFER TO ES0018 FOR FASTENER TIGHTENING GUIDELINES		WEIGHT: (LBS)	FIRST USED: (REF)
			17 170X
DESCRIPTION: WATER SYSTEM INSTL			
SHEET: 1 OF 4	ITEM/PART NO: 000027913 / 31614401000	REV:	

X-X
FOR WATER CALLOUTS SEE DWG NO. 000209446 / 303369-01-000



PRESSURE REDUCER
192038-06-CHT
ADAPTER
192038-05-CHT (2)

DETAIL CC

SUPPLIED W/WATER HEATER
(REF LENGTH 385)

ELBOW
192038-03-CHT
ADAPTER
192038-05-CHT

FAUCET-GALLEY,BASIN
187519-01-CHT

DETAIL CE

SHOWER-EXTERIOR
166291-01-CHT
HOSE ASM-W/SPRAYER
166291-02-000

TU-9
470

TU10
160

R-8
2

RT-1
95

RT-2
29B

E-9
29B

E-54
2

TU10
395

E-54

TU10
140

TU10
135

T-30

TU10
170

V-7

TU-9
50

TU10
245

GROMMET
071015-39-000

VALVE-DRAIN
192038-04-CHT
ADAPTER
192038-05-CHT (2)
GROMMET
071015-39-000
SUPPLIED W/VALVE-DRAIN
(REF LENGTH 100)

S-2
2

TU10
755

GROMMET
071015-13-000 (2)

VIEW CB

DETAIL CF

VIEW CA

DETAIL CD

CLAMP
010495-04-000 (2)
RIVET
113133-03-CHT (2)

TU10
170

E-54

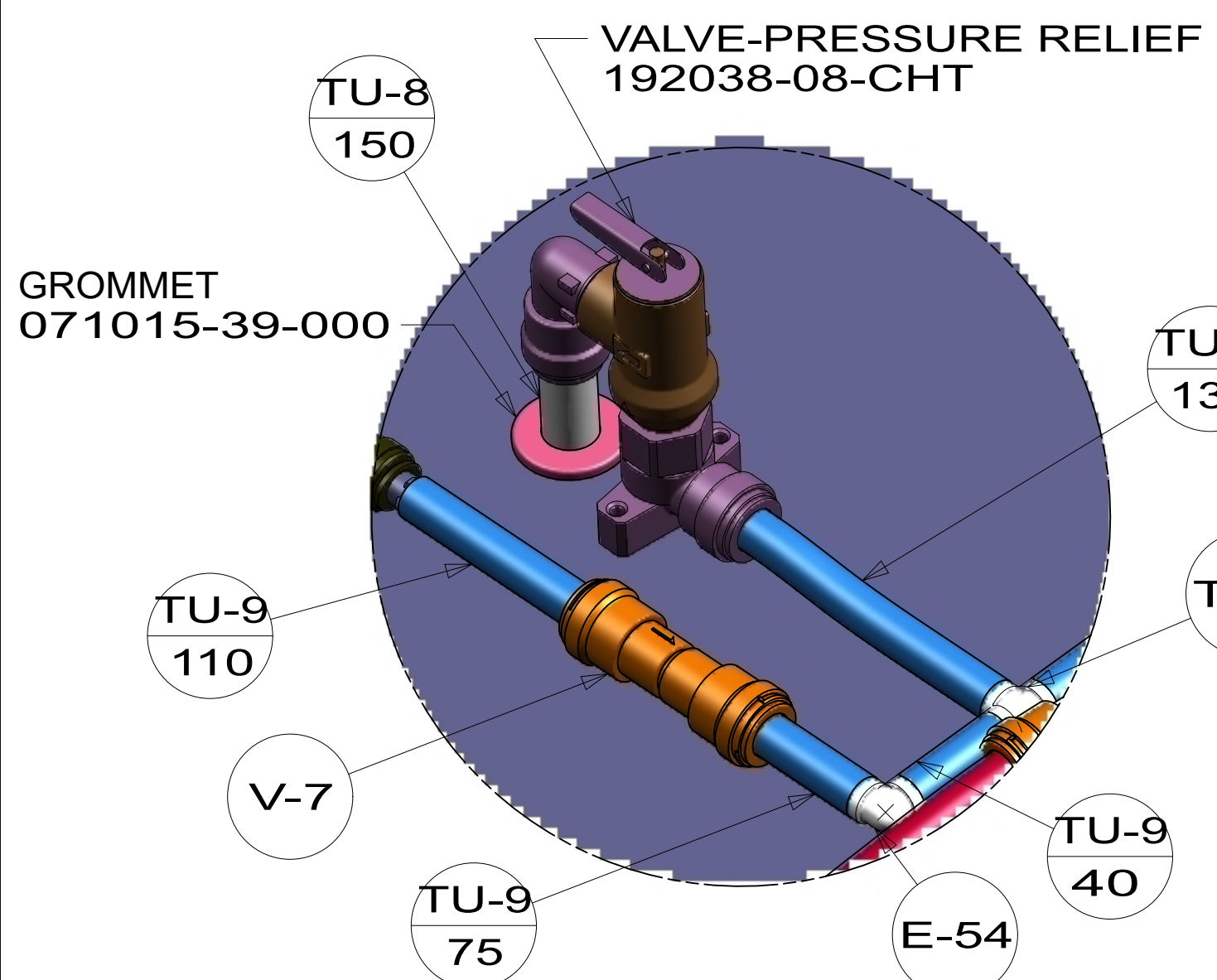
TU10
60

TU-9
60

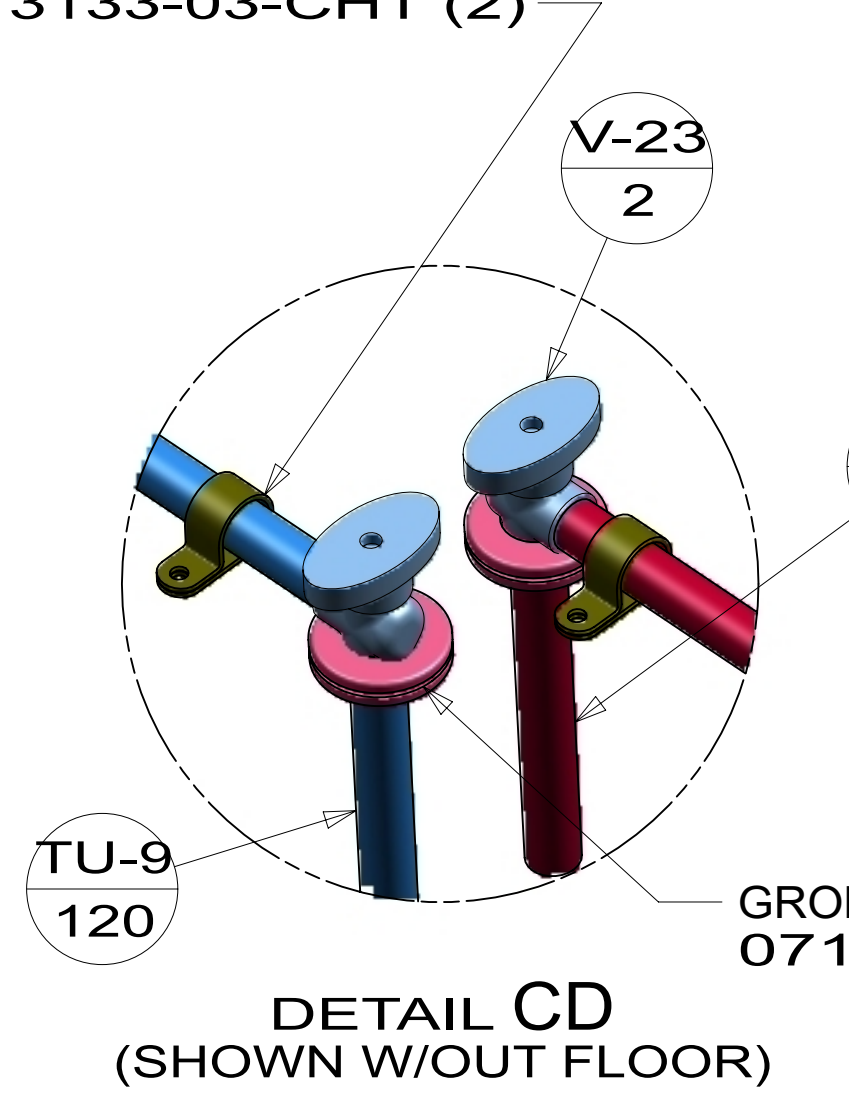
E-54

TU-9
150

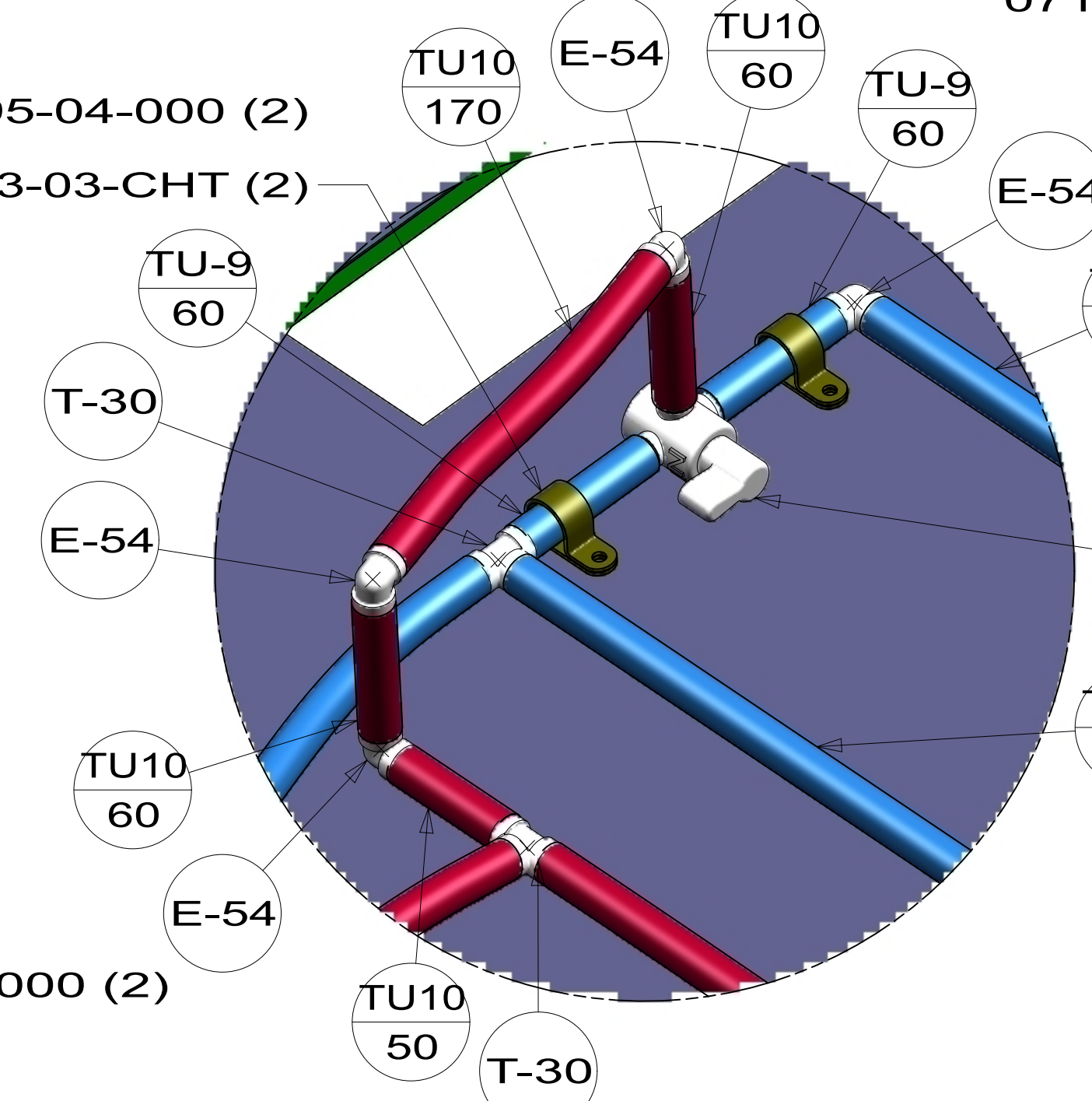
A-31



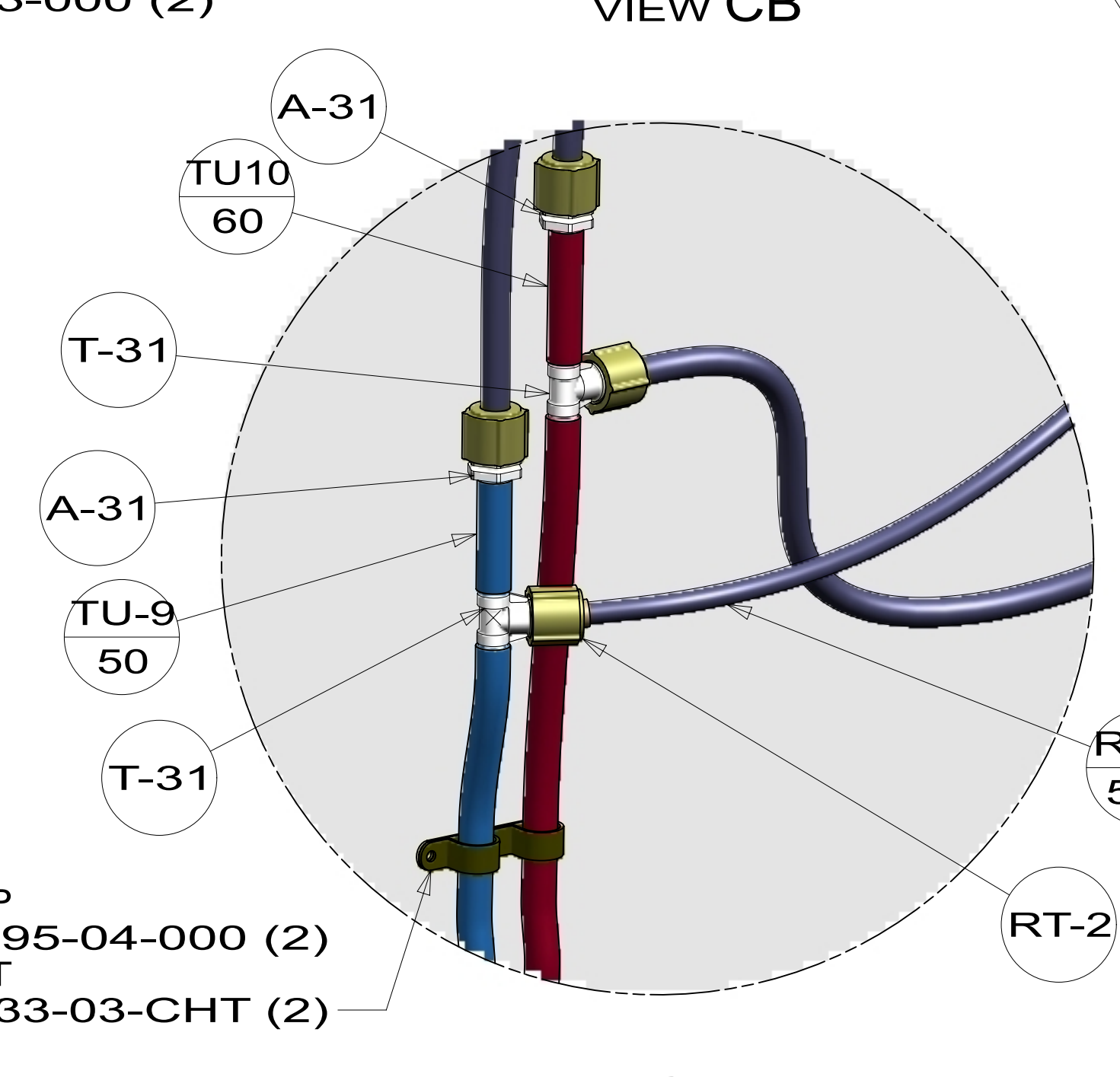
DETAIL CC



DETAIL CD
(SHOWN W/OUT FLOOR)



DETAIL CE



DETAIL CF

DESCRIPTION: WATER SYSTEM INSTL		
SHEET: 3 OF 4	ITEM/PART NO: 000027913 / 31614401000	REV
		04-Jul-2022

