

- 10. SECURE VALVE HANDLE W/SILICON.
- 9. PARTS TO BE ASSEMBLED AND ABLE TO BE REMOVED AND STORED AS A SINGLE ASM.
- 8. ALL CRIMP FITTINGS TO 1/2" PEX TUBING REQUIRE 1/2" CLAMP 140171-03-000.
- 7. ALL CRIMP FITTINGS TO 5/8" PEX TUBING REQUIRE 5/8" CLAMP 140171-04-000.
- 6. LABEL HOT AND COLD SUPPLY TUBES AND TAPE FITTING TO TUBE BEFORE CABINET SET TO PREVENT MOVEMENT.
- 5. ADD PIPE WRAP (LADDER SCRAP 110157-02-000) INSULATION.
- 4. ADD TEFLON TAPE 010405-02-000.
- 3. ALL TUBING TO BE SECURED AT 1200 INTERVALS MAXIMUM WITH CLAMP 010495-01-000 AND SCREW 000G67-10-12U OR EQUIVALENT.
- 2. TUBING TO BE INSTALLED WITH SUFFICIENT SLOPE TO PROVIDE DRAINAGE TO NEAREST VALVE.
- 1. PLASTIC FITTINGS TO BE SEALED WITH SEALANT 084456-01-000.

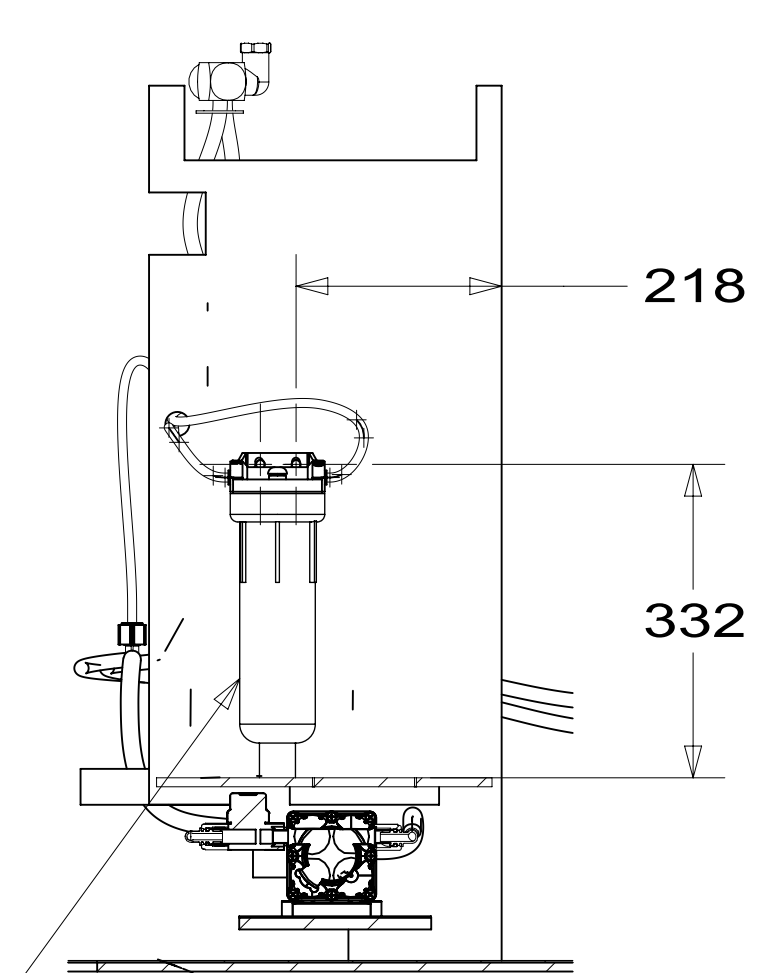
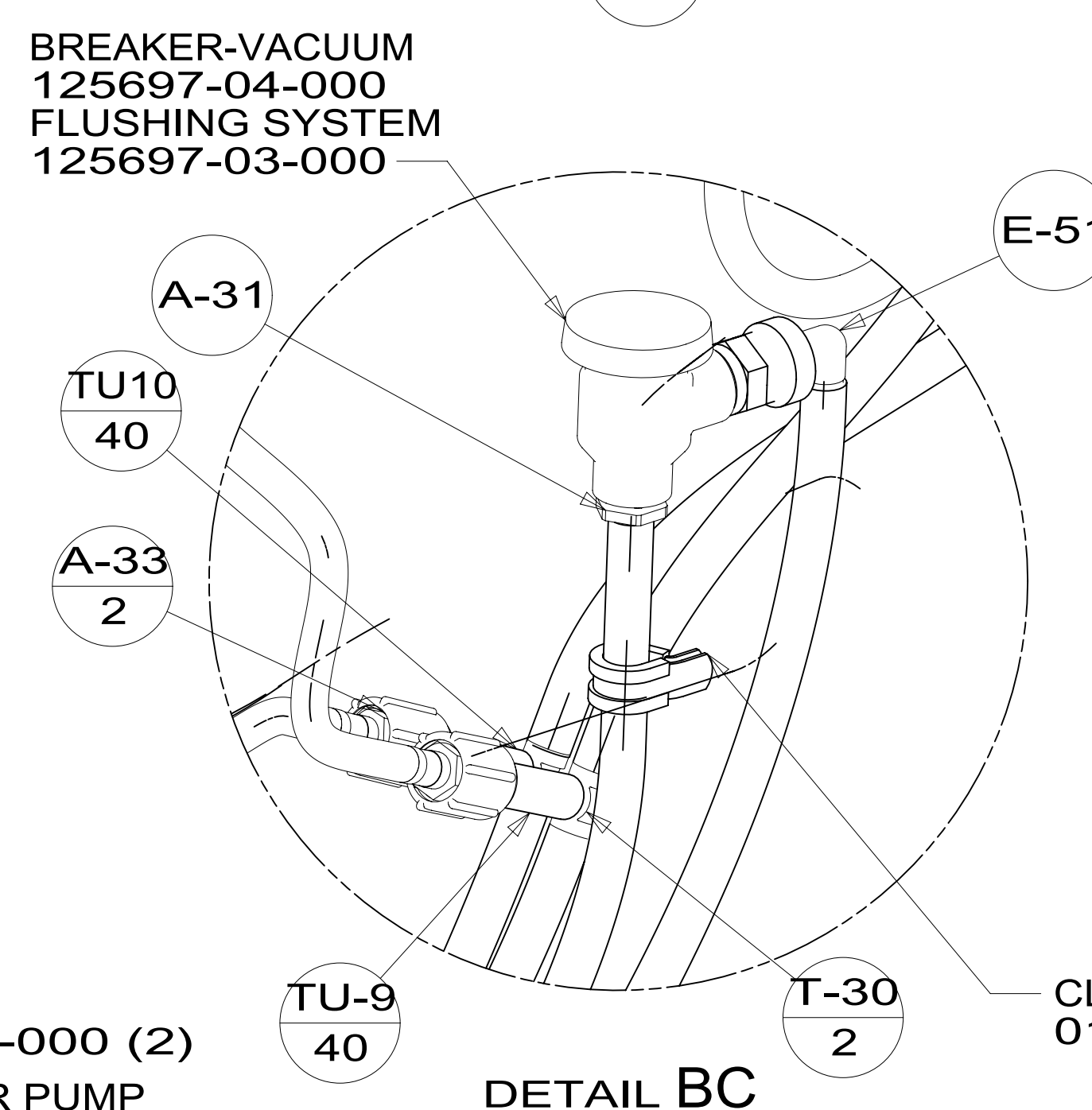
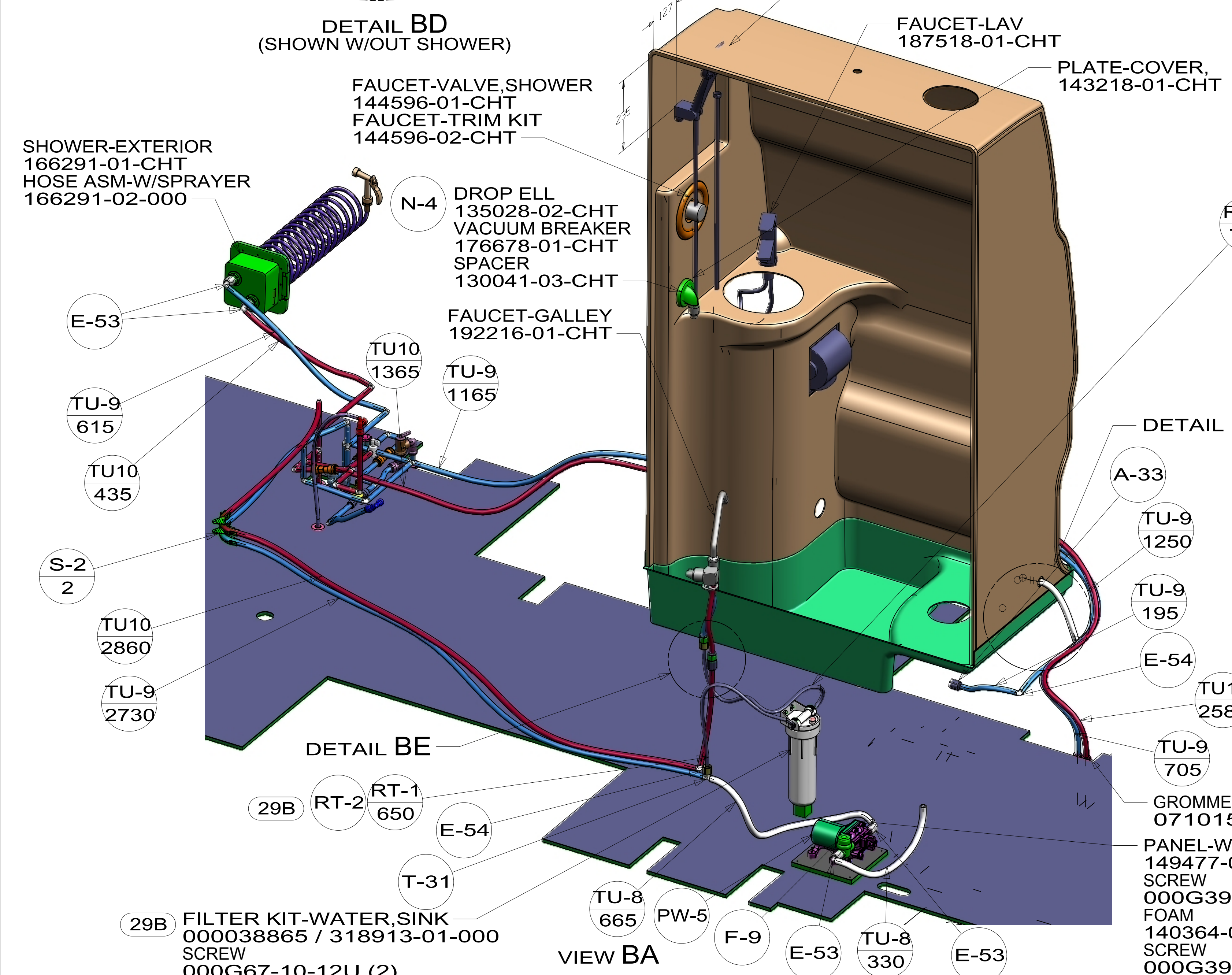
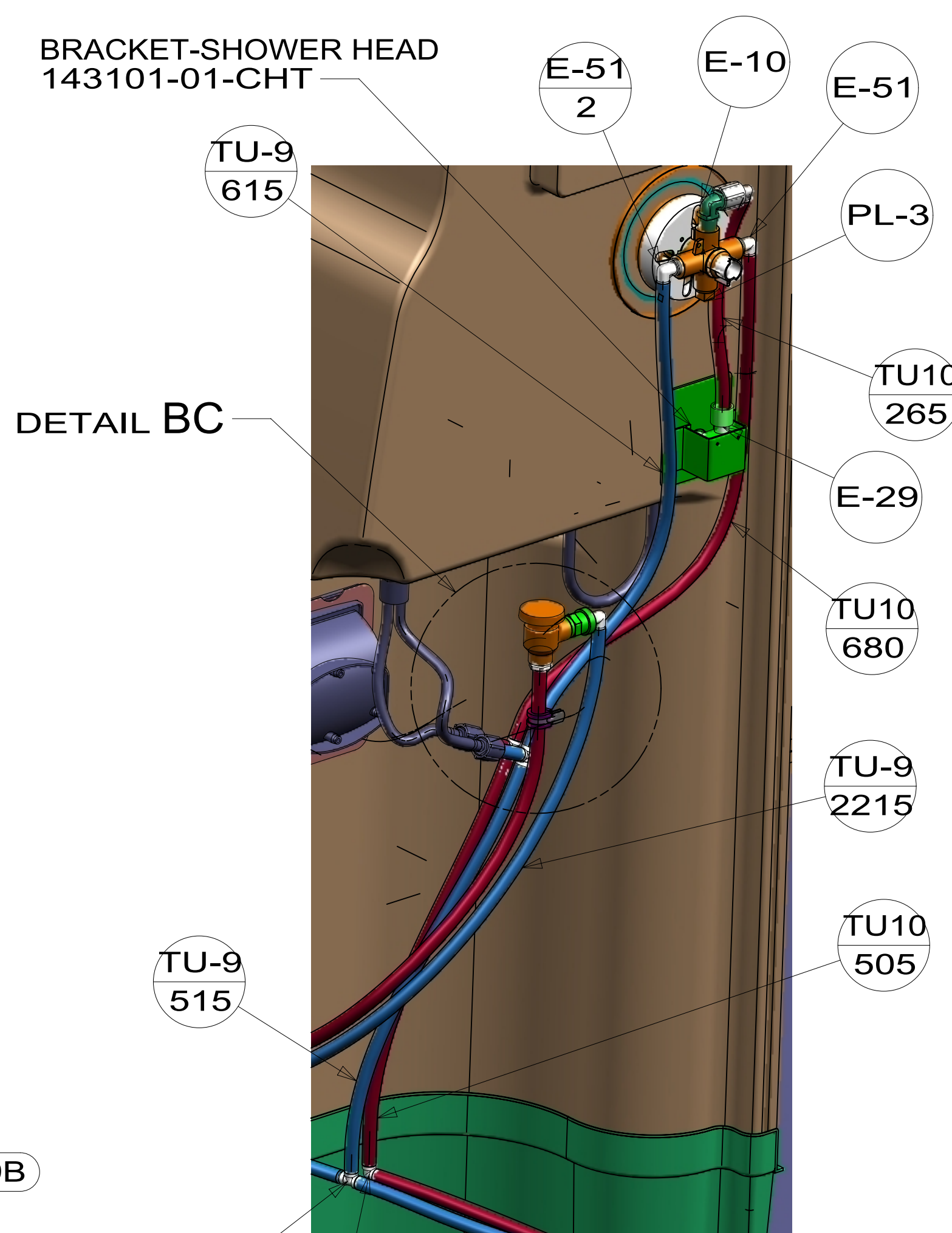
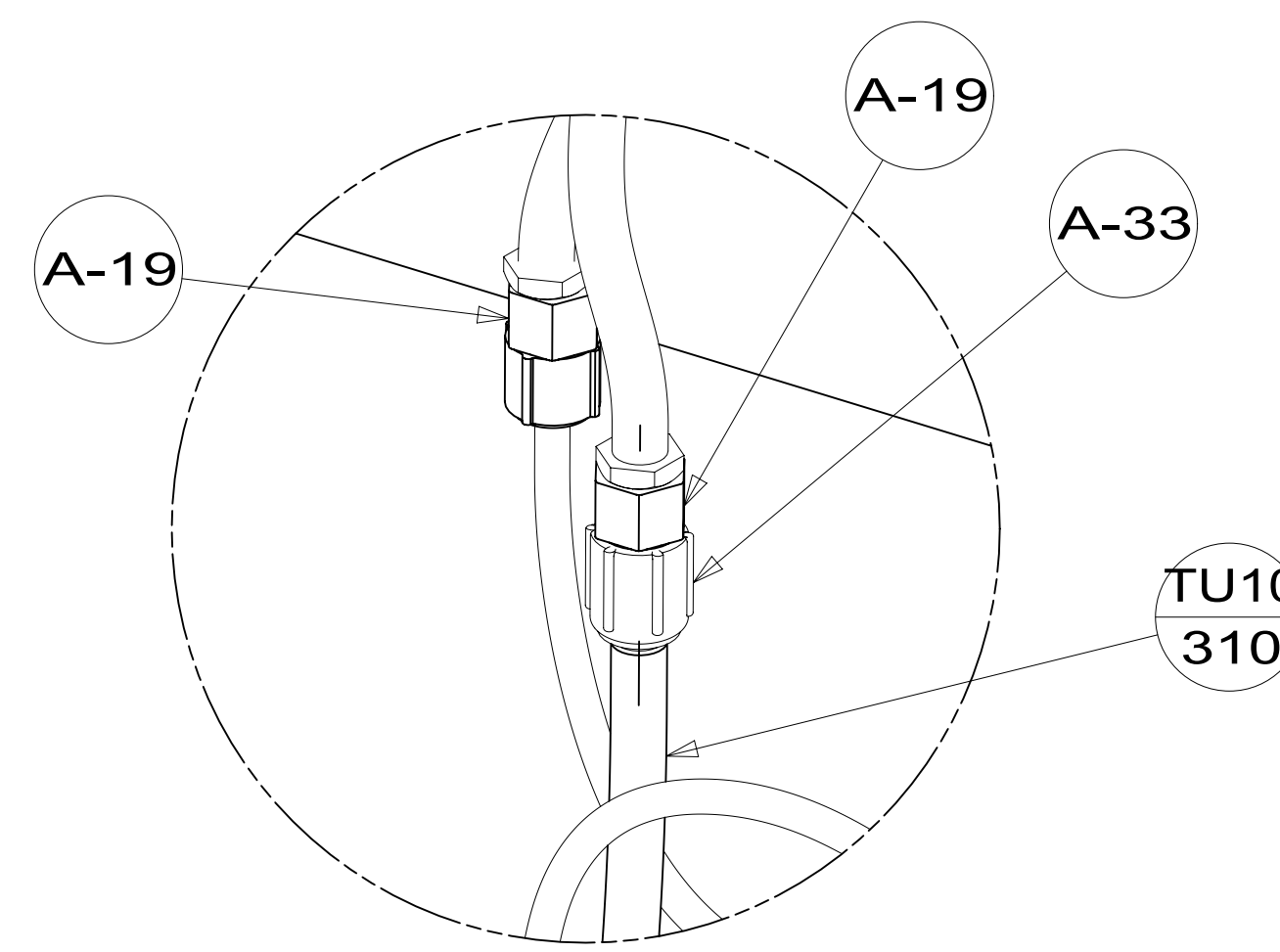
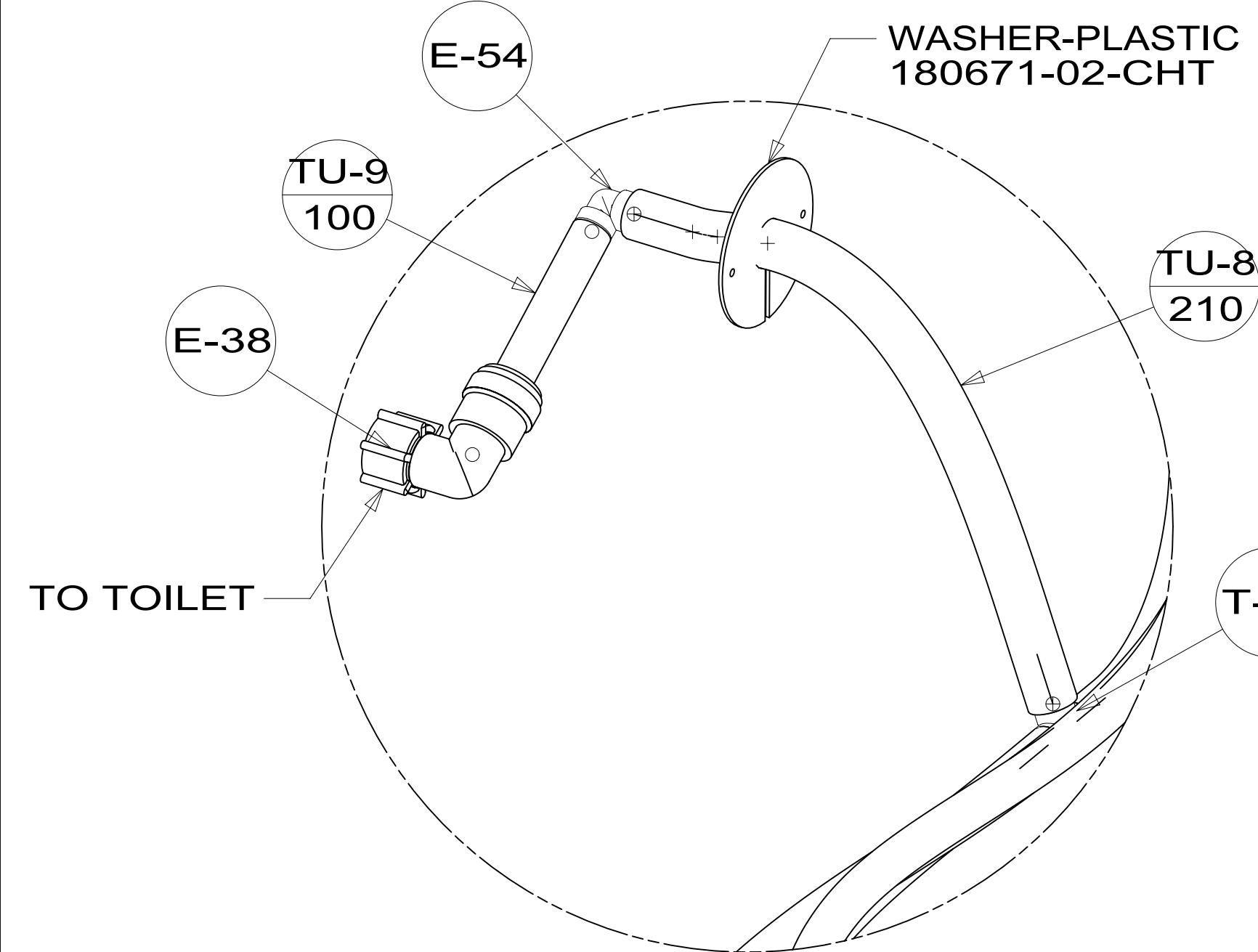
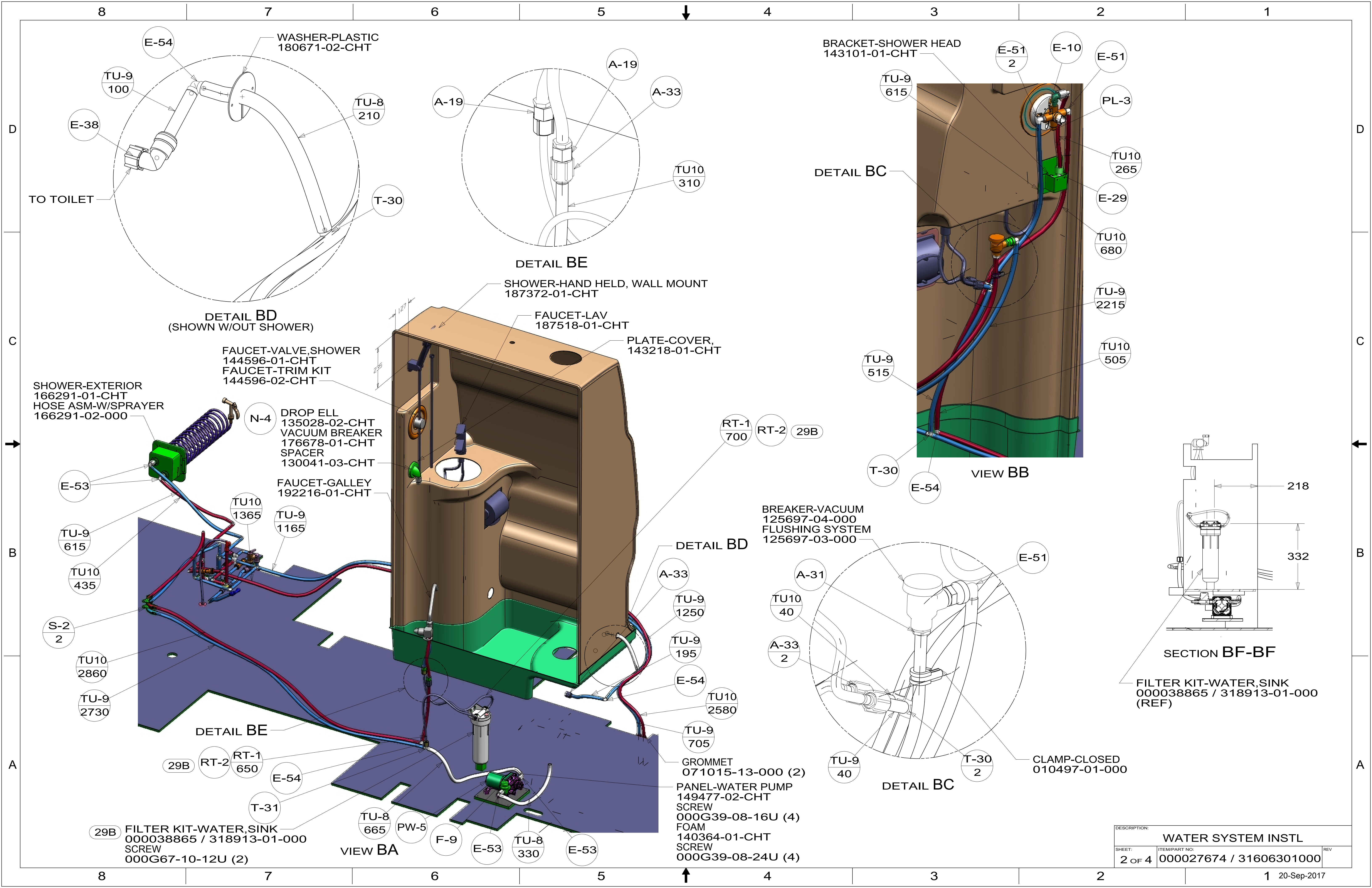
NOTES:

X-X

FOR WATER  
CALLOUTS  
SEE DWG NO.  
000209446 /  
303369-01-000

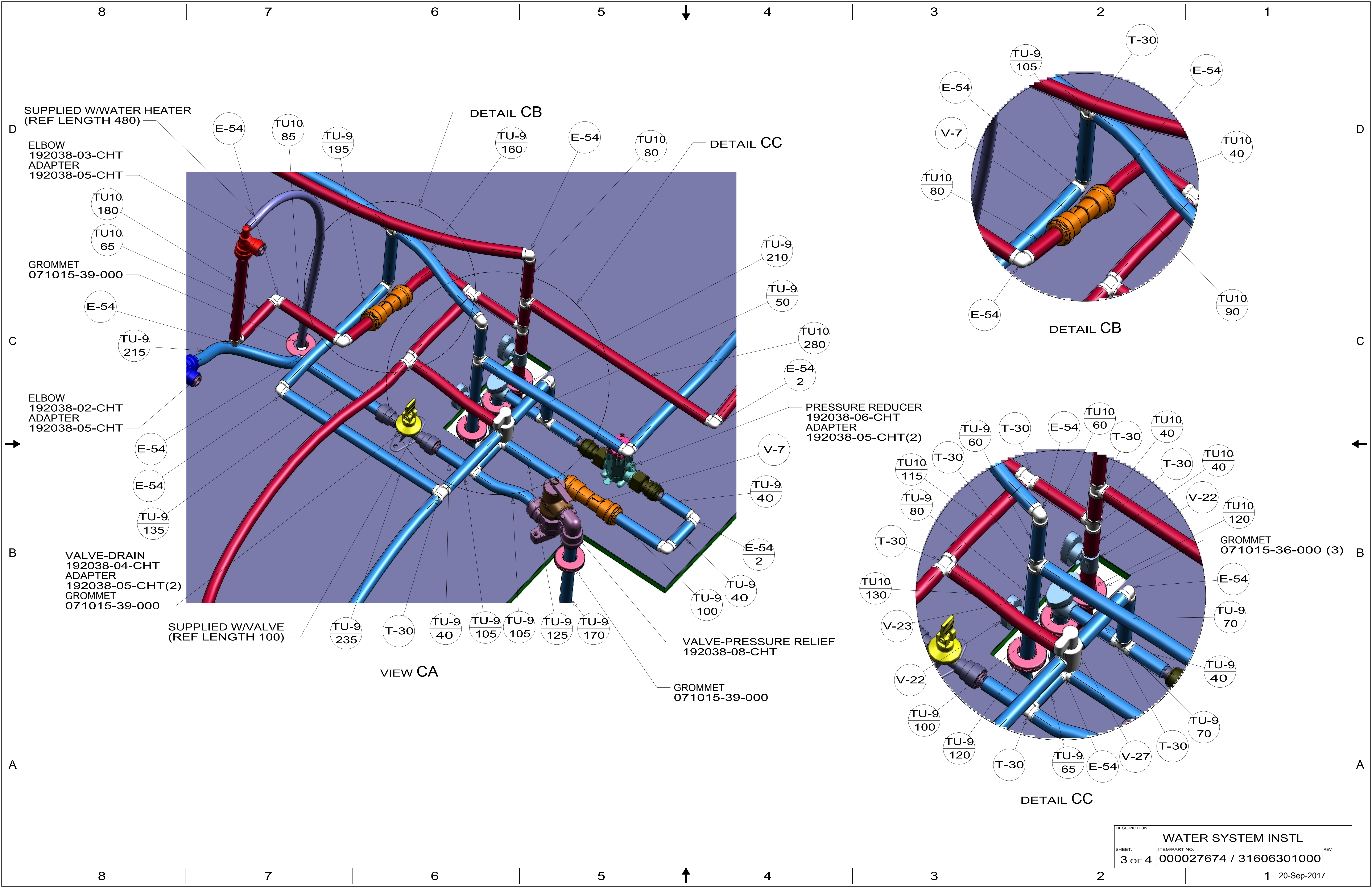
**29B WATER PURIFIER**

<b>WINNEBAGO</b> <sup>®</sup>		COPYRIGHT 2017 WINNEBAGO INDUSTRIES, INC.	
<small>DSNR:</small>	<small>ALL DIMENSIONS ARE IN MILLIMETERS</small>		
<small>DIFTR:</small>	<small>MATERIAL:</small>		
<small>UNSPECIFIED TOLERANCES:</small>	<small>WHOLE DIM (X)</small> : 3		
	<small>ONE-PLACE (X.X)</small> : 1.5		
	<small>TWO-PLACE (X.XX)</small> : 0.50		
	<small>ANGLE</small> : 1°		
<small>REFER TO ES0018 FOR FASTENER TIGHTENING GUIDELINES</small>		<small>WEIGHT: (LBS)</small>	<small>FIRST USED: (REF)</small>
			<b>17 170A</b>
<b>DESCRIPTION:</b>			
<b>WATER SYSTEM INSTL</b>			
<small>SHEET:</small>	<small>ITEM/PART NO.:</small>	<small>REV</small>	
<b>1 OF 4</b>	<b>000027674 / 31606301000</b>		

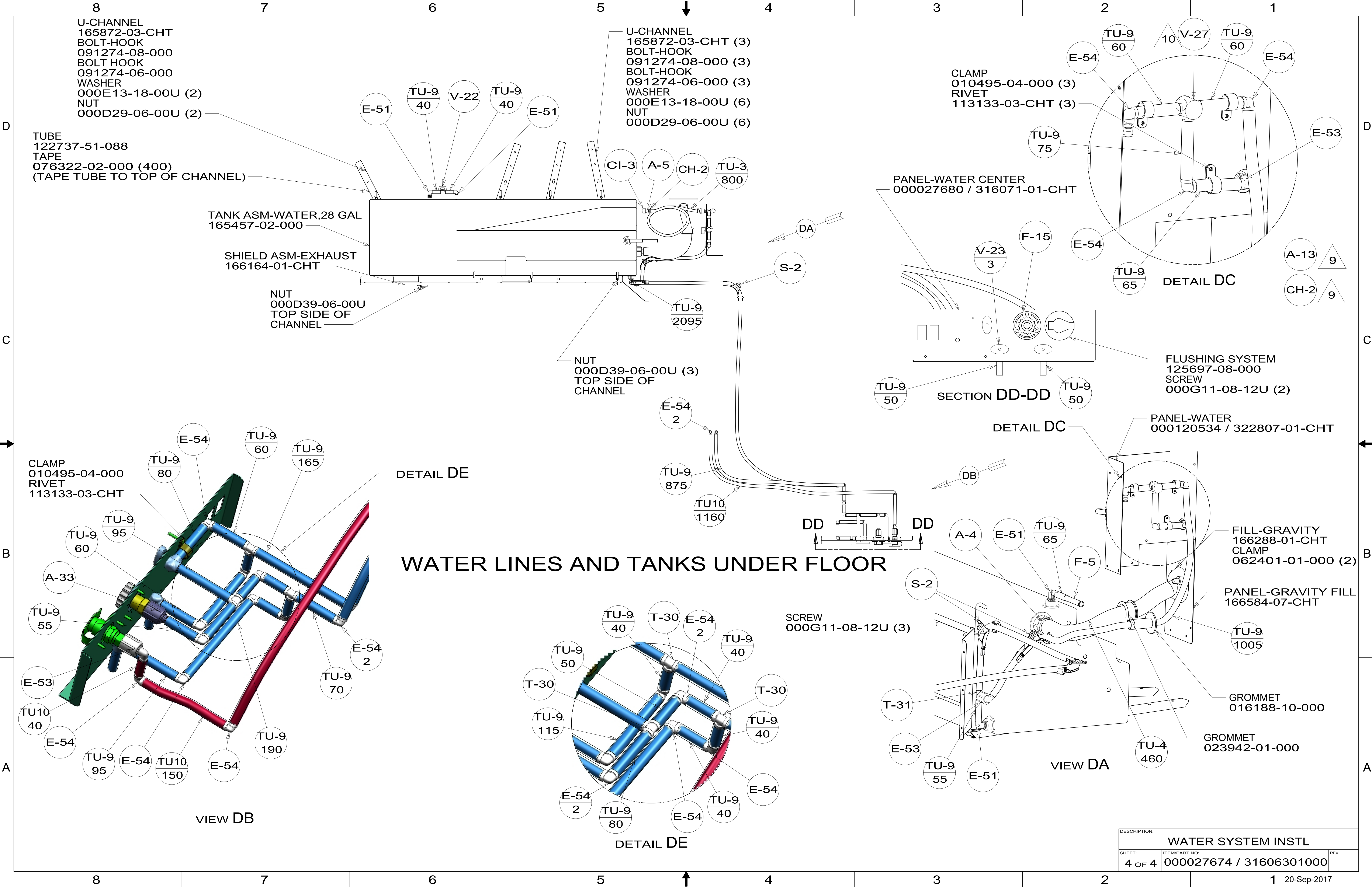


FILTER KIT-WATER, SINK 000038865 / 318913-01-000 (REF)

DESCRIPTION:		
WATER SYSTEM INSTL		
SHEET:	ITEM/PART NO:	REV
2 OF 4	000027674 / 31606301000	



DESCRIPTION:		
WATER SYSTEM INSTL		
SHEET:	ITEM/PART NO.:	REV
3 OF 4	000027674 / 31606301000	



DESCRIPTION:		
WATER SYSTEM INSTL		
SHEET:	ITEM/PART NO.:	REV
4 OF 4	000027674 / 31606301000	