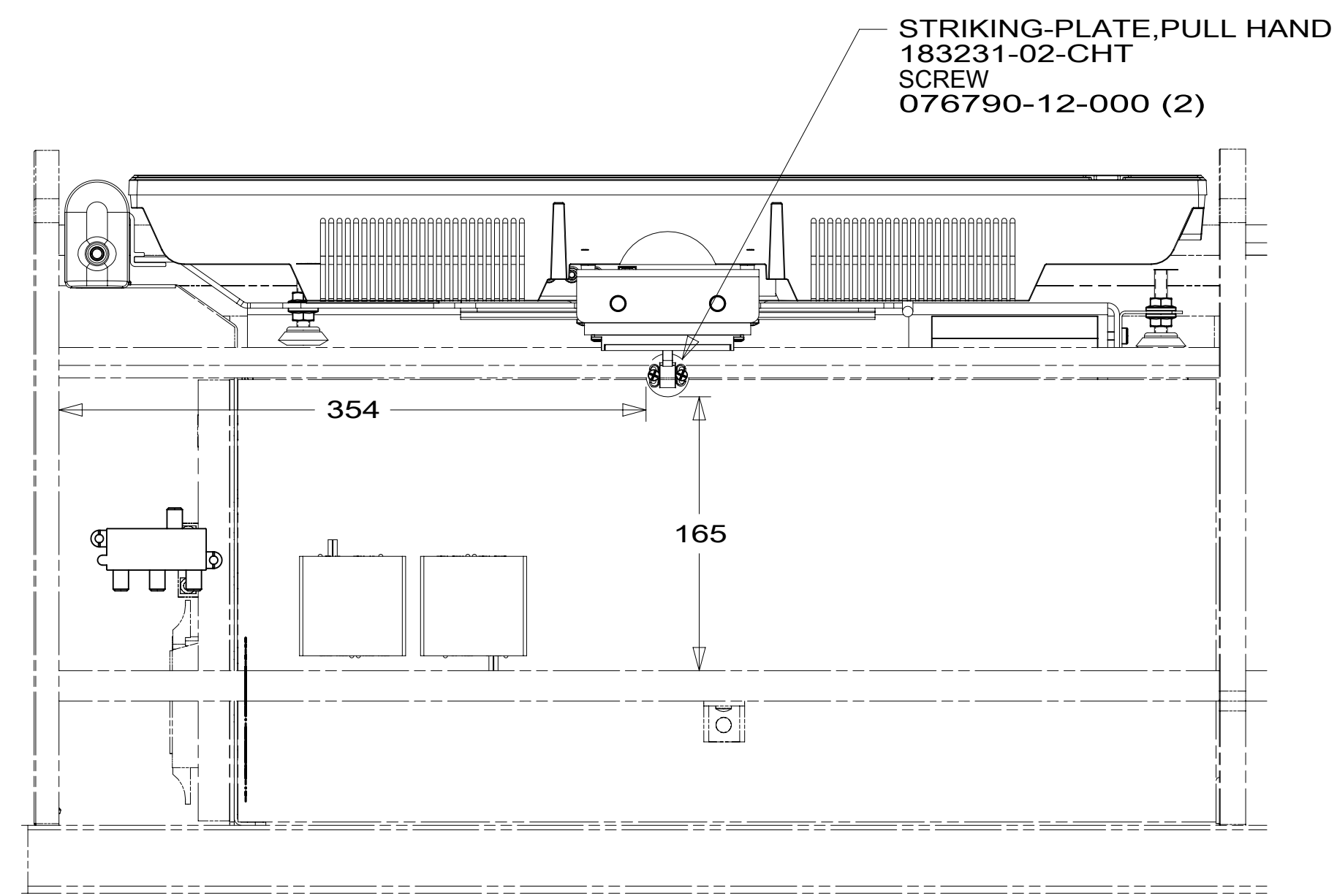
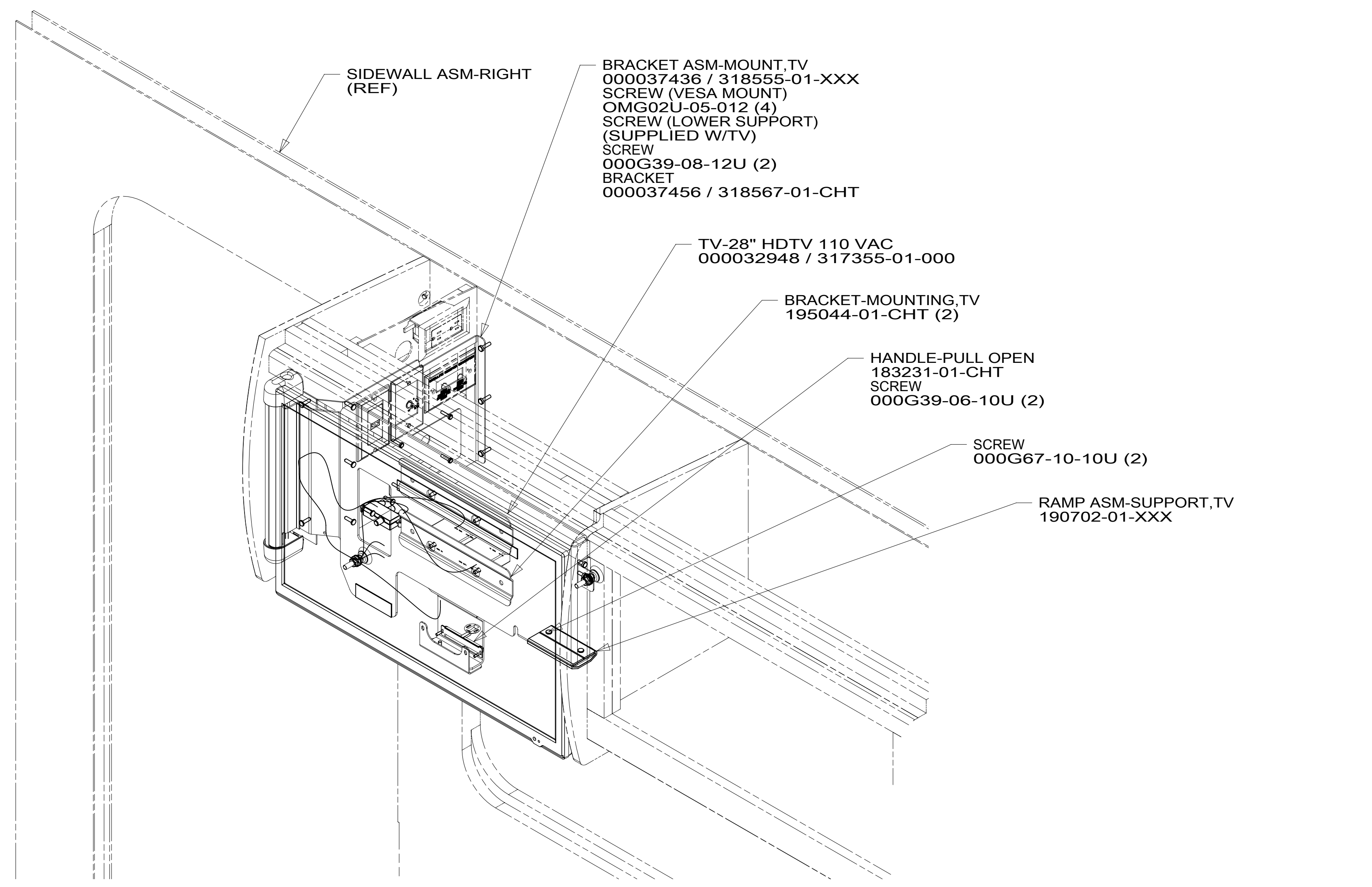
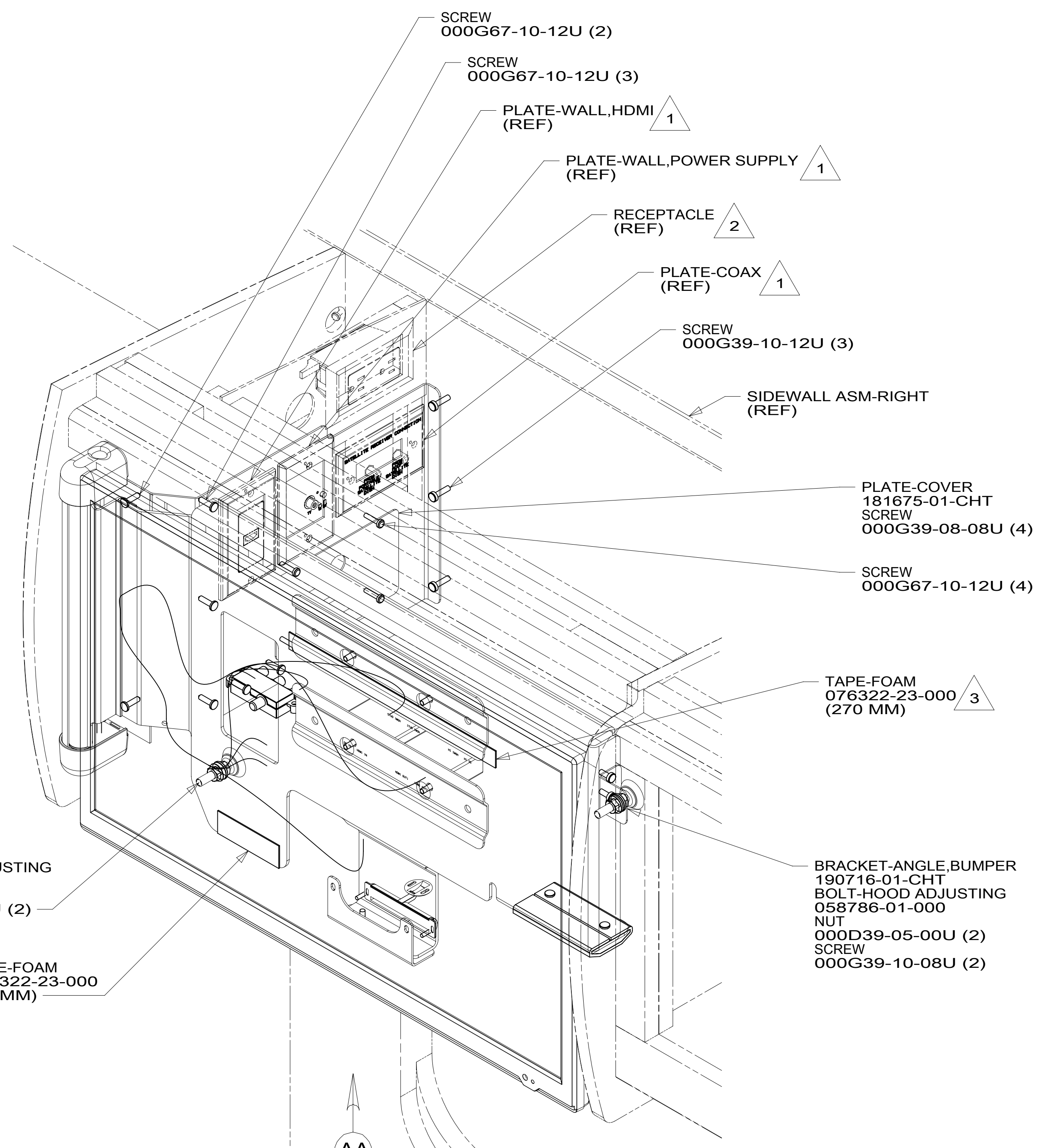


8 7 6 5 4 3 2 1

D  
C  
B  
A



FOR ELECTRICAL TORQUE SPECIFICATIONS SEE DWG NO. 128783-01-000

FOR ELECTRICAL CALLOUTS SEE DWG NO. 121339-01-000

- 265 CODES/STANDARDS-CSA/CMVSS
- 1B1 CODES/STANDARDS USA
- 1B1 265

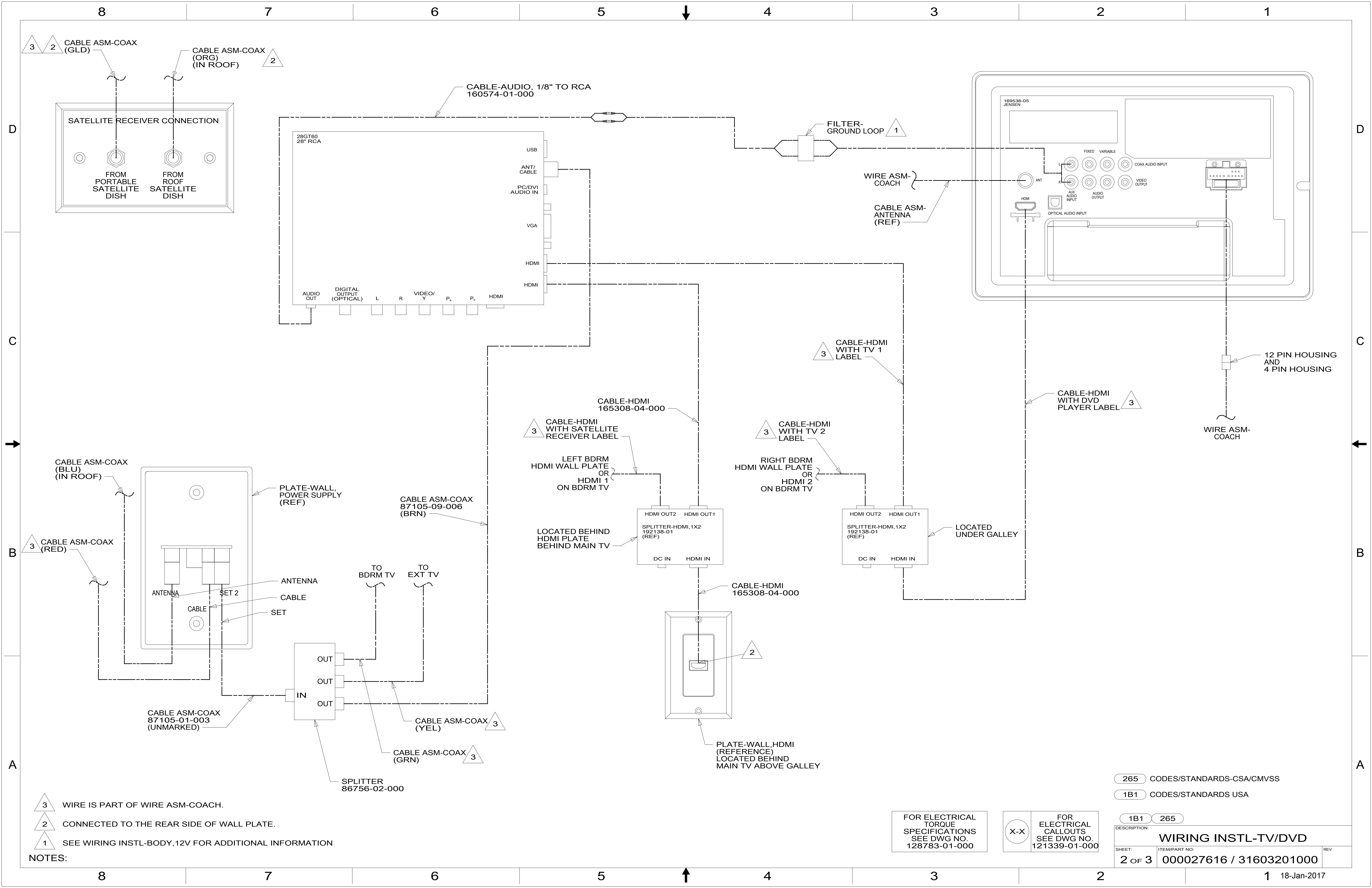


DSNR:		ALL DIMENSIONS ARE IN MILLIMETERS	
DFFR:		MATERIAL:	
UNSPECIFIED TOLERANCES:			
WHOLE DIM (X)	: 3		
ONE-PLACE (X.X)	: 1.5		
TWO-PLACE (X.XX)	: 0.50		
ANGLE	: 1°		
REFER TO ES0018 FOR FASTENER TIGHTENING GUIDELINES		WEIGHT: (LBS)	FIRST USED:
			17 524J
DESCRIPTION:			
WIRING INSTL-TV/DVD			
SHEET:	ITEM/PART NO.:	REV:	
1 OF 3	000027616 / 31603201000		

- NOTES:
- 3 PREP BOTH SURFACES WITH ADHESIVE-PROMOTER, 087211-01-000.
  - 2 SEE WIRING INSTL-BODY,110V FOR ADDITIONAL INFORMATION.
  - 1 SEE WIRING INSTL-BODY,12V FOR ADDITIONAL INFORMATION.

8 7 6 5 4 3 2 1

D  
C  
B  
A



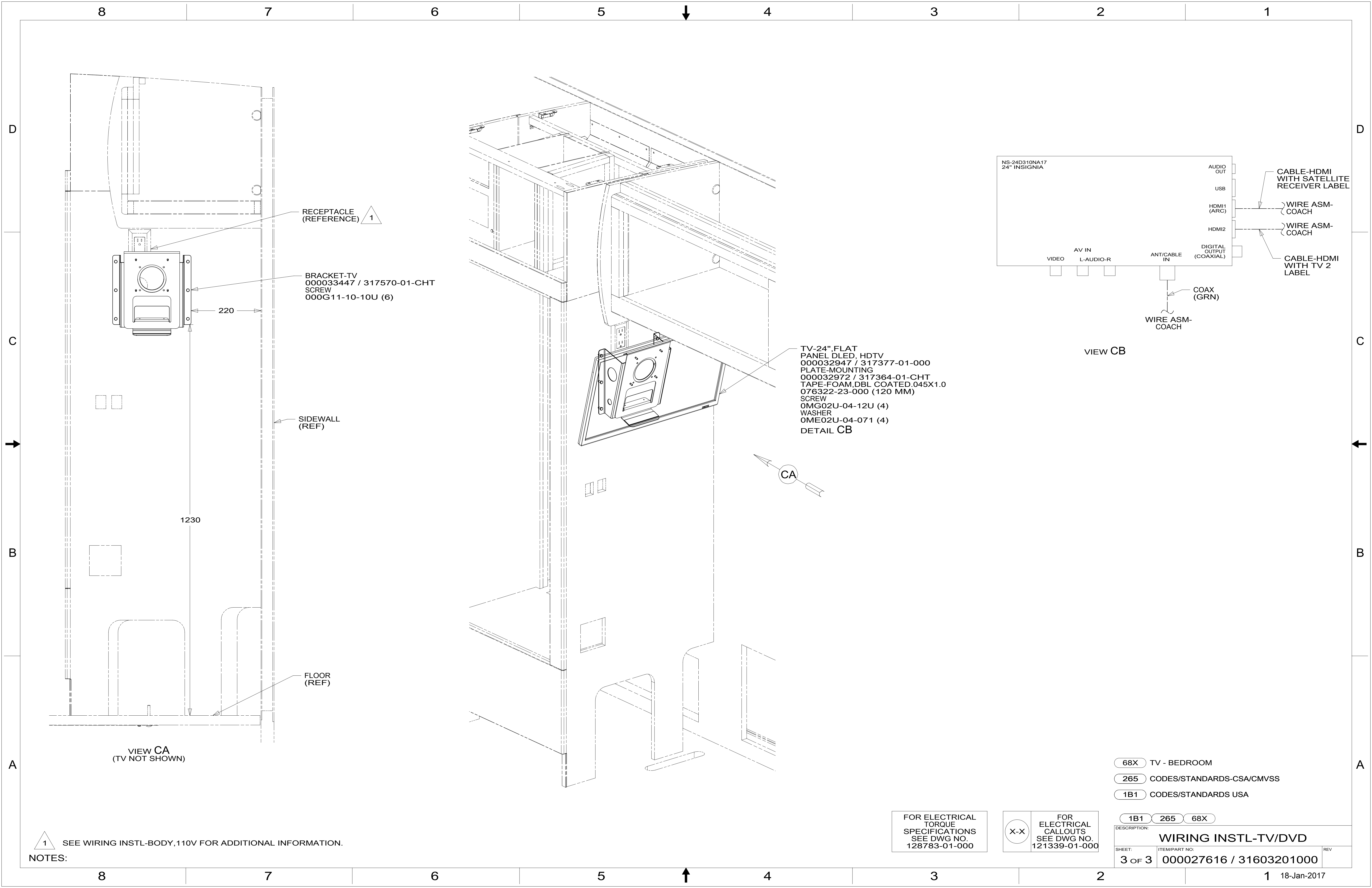
- NOTES:
- 3 WIRE IS PART OF WIRE ASM-COACH.
  - 2 CONNECTED TO THE REAR SIDE OF WALL PLATE.
  - 1 SEE WIRING INSTL-BODY, 12V FOR ADDITIONAL INFORMATION

FOR ELECTRICAL TORQUE SPECIFICATIONS SEE DWG NO. 128783-01-000

FOR ELECTRICAL CALLOUTS SEE DWG NO. 121339-01-000

- 265 CODES/STANDARDS-CSA/CMVSS
- 1B1 CODES/STANDARDS USA

DESCRIPTION:		1B1 265	
<b>WIRING INSTL-TV/DVD</b>			
SHEET:	ITEM/PART NO.:	REV	
2 OF 3	000027616 / 31603201000		



RECEPTACLE (REFERENCE) 1

BRACKET-TV  
000033447 / 317570-01-CHT  
SCREW  
000G11-10-10U (6)

220

1230

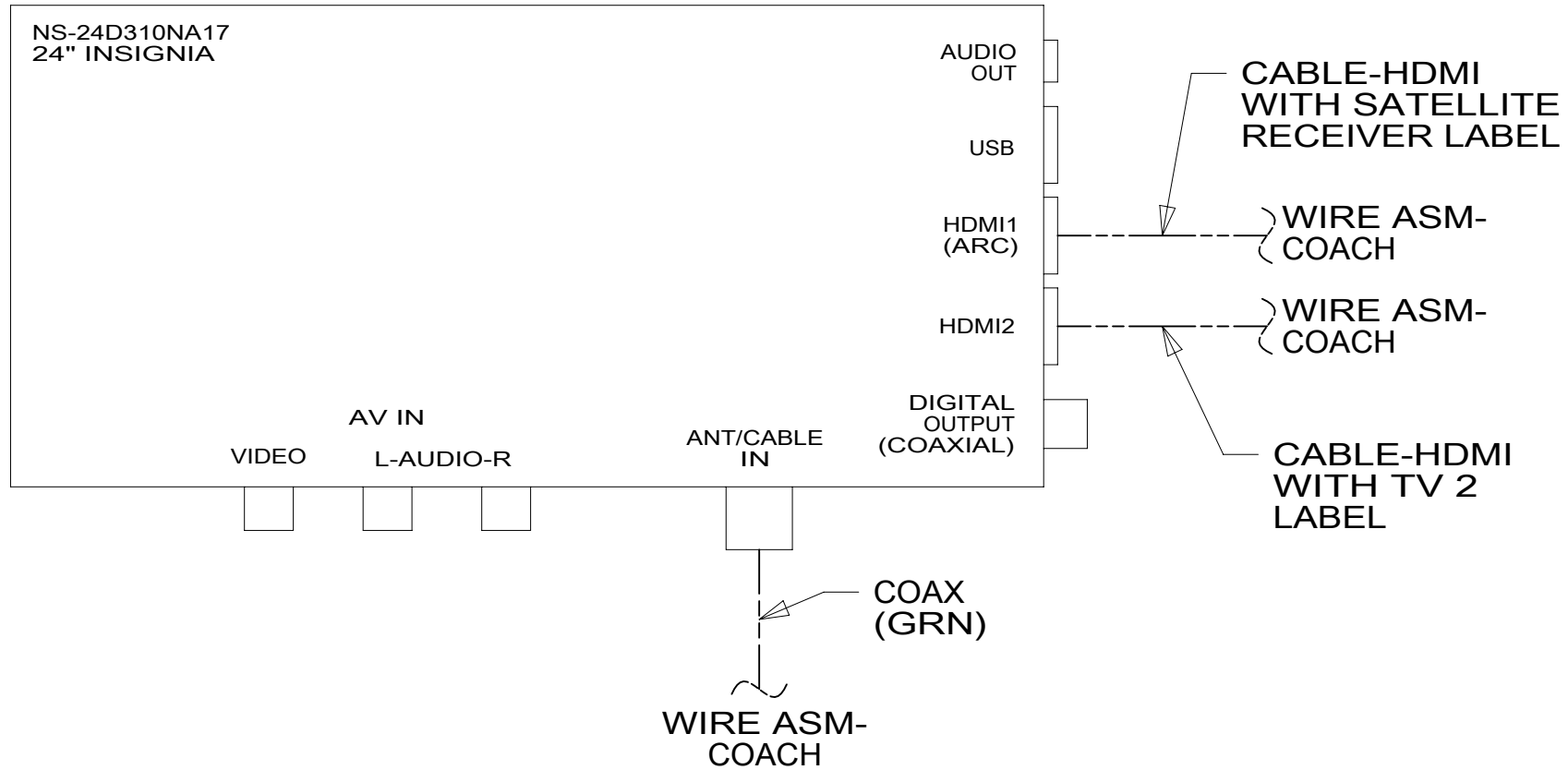
SIDEWALL (REF)

FLOOR (REF)

VIEW CA  
(TV NOT SHOWN)

TV-24", FLAT  
PANEL DLED, HDTV  
000032947 / 317377-01-000  
PLATE-MOUNTING  
000032972 / 317364-01-CHT  
TAPE-FOAM, DBL COATED, 0.45X1.0  
076322-23-000 (120 MM)  
SCREW  
0MG02U-04-12U (4)  
WASHER  
0ME02U-04-071 (4)  
DETAIL CB

CA



VIEW CB

- 68X TV - BEDROOM
- 265 CODES/STANDARDS-CSA/CMVSS
- 1B1 CODES/STANDARDS USA

DESCRIPTION:	1B1 265 68X	
<b>WIRING INSTL-TV/DVD</b>		
SHEET:	ITEM/PART NO:	REV
3 OF 3	000027616 / 31603201000	

FOR ELECTRICAL  
TORQUE  
SPECIFICATIONS  
SEE DWG NO.  
128783-01-000

FOR ELECTRICAL  
CALLOUTS  
SEE DWG NO.  
121339-01-000

1 SEE WIRING INSTL-BODY, 110V FOR ADDITIONAL INFORMATION.