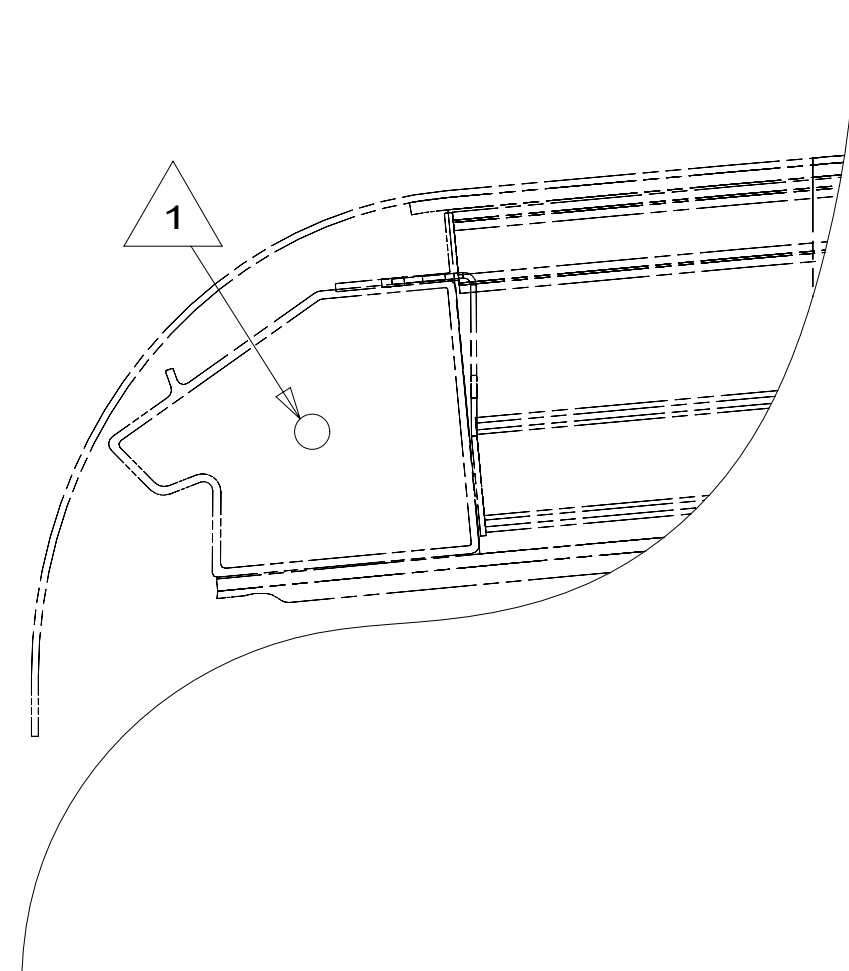


153 ROUTE TEMPERATURE SENSOR THROUGH FIREWALL BOOT IN THIS AREA

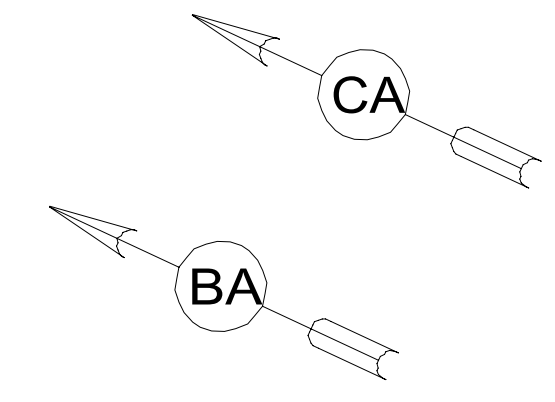
2 153 SENSOR-TEMPERATURE (REF)

1 CABLE-MONITOR (REF)

ROUTE THRU ROOF COVE, DOWN A-POST TO RADIO



SECTION AA-AA



- 153 LG SCREEN-INFO/GPS SIRIUSXM
- 265 CODES/STANDARDS-CSA/CMVSS
- 1B1 CODES/STANDARDS USA

1B1 265



DSNR:	ALL DIMENSIONS ARE IN MILLIMETERS	
DIFFR:	MATERIAL:	
UNSPECIFIED TOLERANCES:		
WHOLE DIM (X) :	3	
ONE-PLACE (X.X) :	1.5	
TWO-PLACE (X.XX) :	0.50	
ANGLE :	1°	
REFER TO ES0018 FOR FASTENER TIGHTENING GUIDELINES	WEIGHT: (LBS)	FIRST USED: 17 500-SE

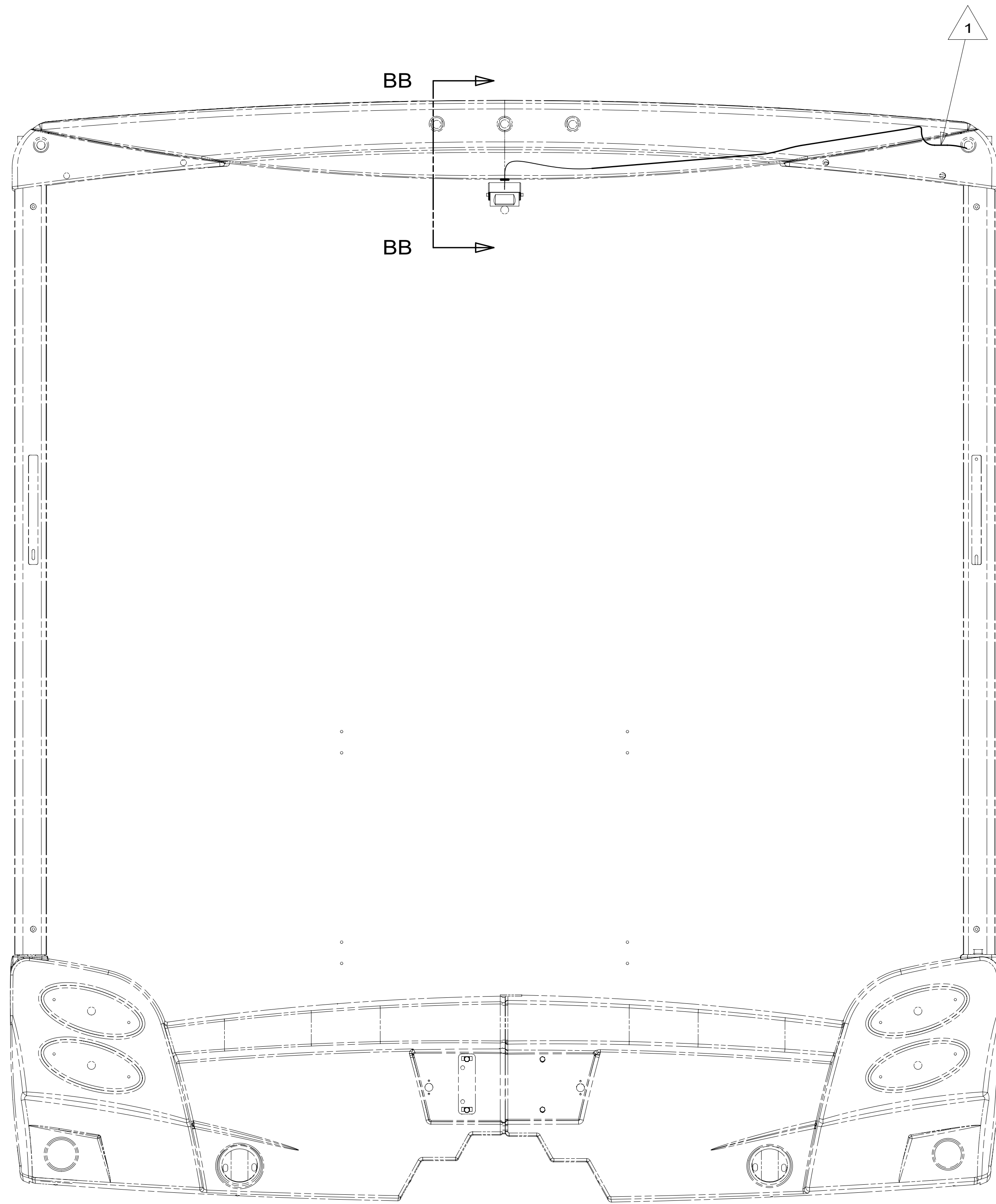
DESCRIPTION: RADIO/MONITOR INSTL		
SHEET: 1 OF 7	ITEM/PART NO: 000027611 / 31602801000	REV:
REF:	1 09-May-2017	

- NOTES:
- 2 DRILL 16MM HOLE THROUGH BUMPER COVER BEHIND LICENSE PLATE BRACKET AND INSTALL SENSOR.
 - 1 RUN MONITOR CABLE IN ROOF COVE ON RIGHT SIDE OF COACH.

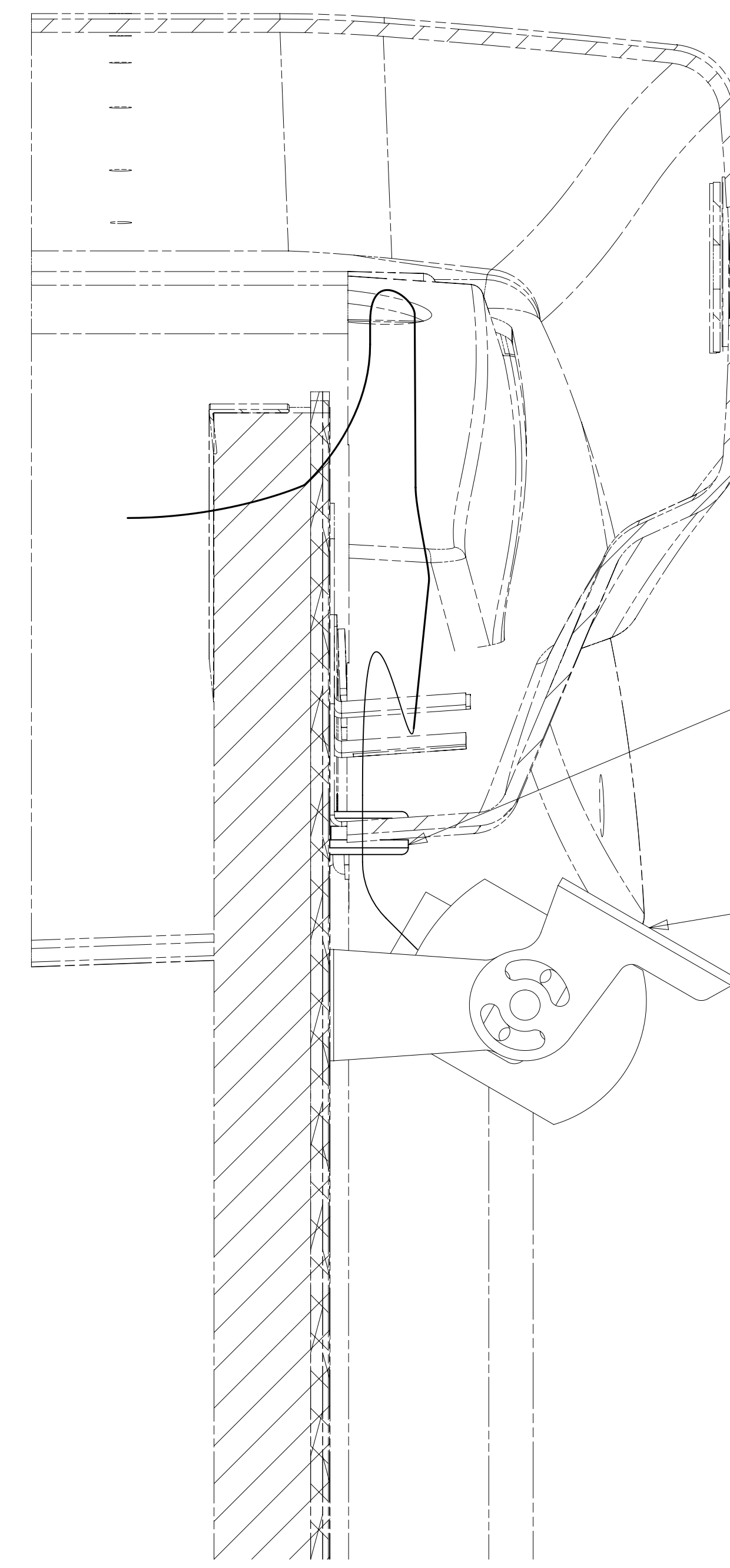
FOR ELECTRICAL TORQUE SPECIFICATIONS SEE DWG NO. 128783-01-000

FOR ELECTRICAL CALLOUTS SEE DWG NO. 121339-01-000

8 7 6 5 4 3 2 1



VIEW BA



SECTION BB-BB

GROMMET
71015-30-000

CAMERA-REAR,
COLOR, W/BACKET
183822-01-000
SCREW
G39-10-12U (5)

2

- NOTES:
- 2 SECURE CAMERA AND CABLE CONNECTION WITH ELECTRICAL TAPE (008363-01-000).
 - 1 SECURE CABLE TO BACKWALL WITH CABLE TIE (108046-02-000)(OR EQUAL).

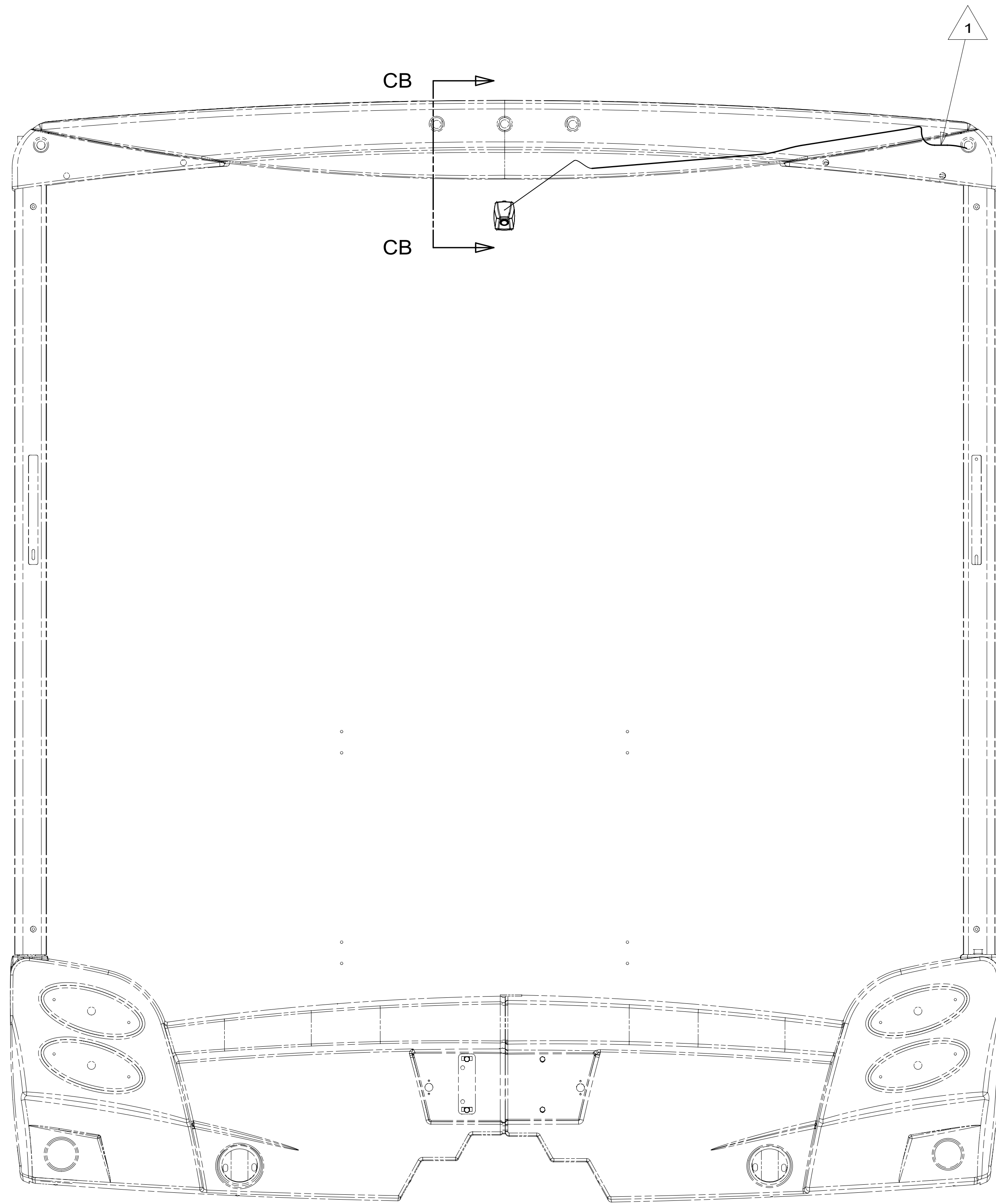
FOR ELECTRICAL
TORQUE
SPECIFICATIONS
SEE DWG NO.
128783-01-000

FOR
ELECTRICAL
CALLOUTS
SEE DWG NO.
121339-01-000

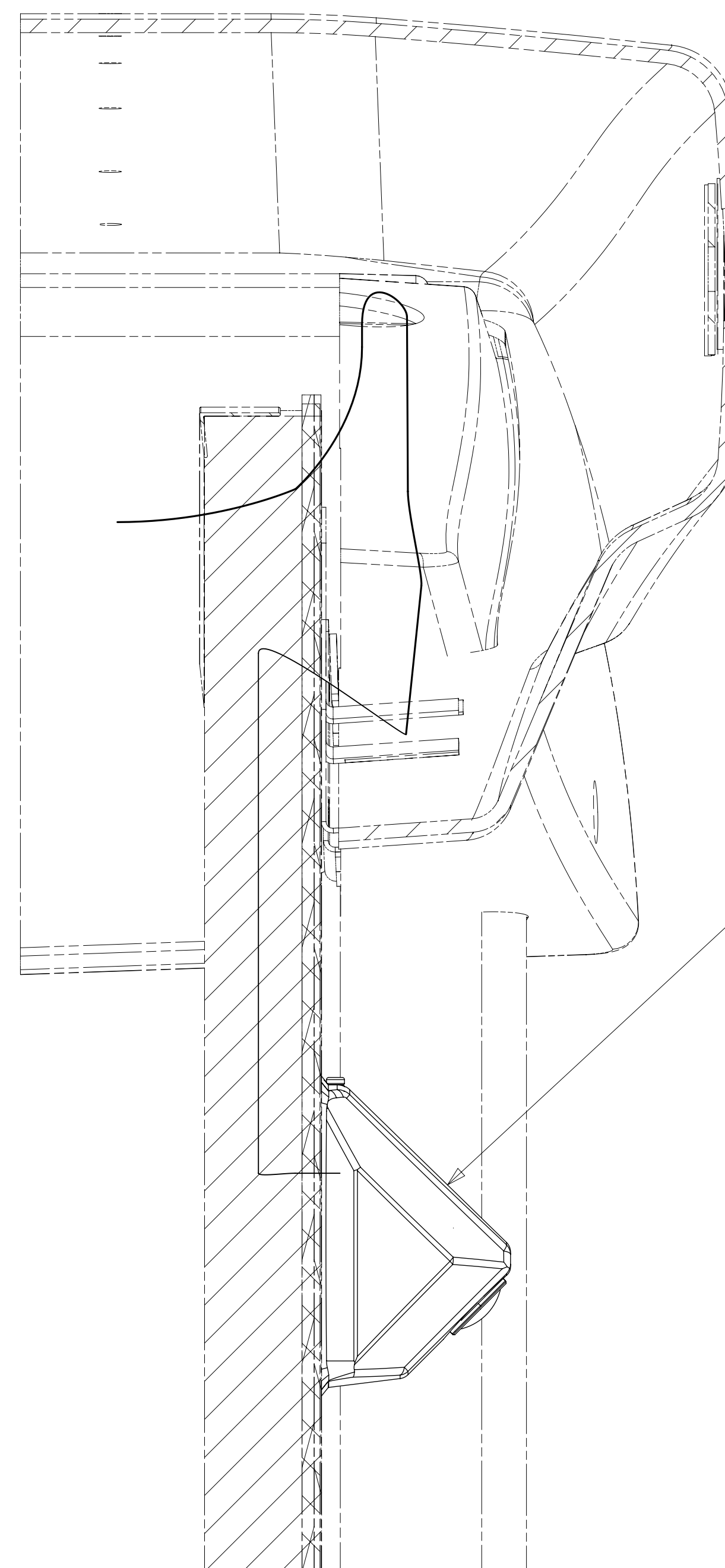
- 19R RADIO/REARVIEW MONITOR SYS
- 265 CODES/STANDARDS-CSA/CMVSS
- 1B1 CODES/STANDARDS USA

DESCRIPTION: RADIO/MONITOR INSTL		
SHEET: 2 OF 7	ITEM/PART NO: 000027611 / 31602801000	REV

8 7 6 5 4 3 2 1 09-May-2017



VIEW CA



SECTION CB-CB

CAMERA-REAR,W/AUDIO
 000025359 / 315257-01-000
 SCREW
 G39-10-12U (5)

2

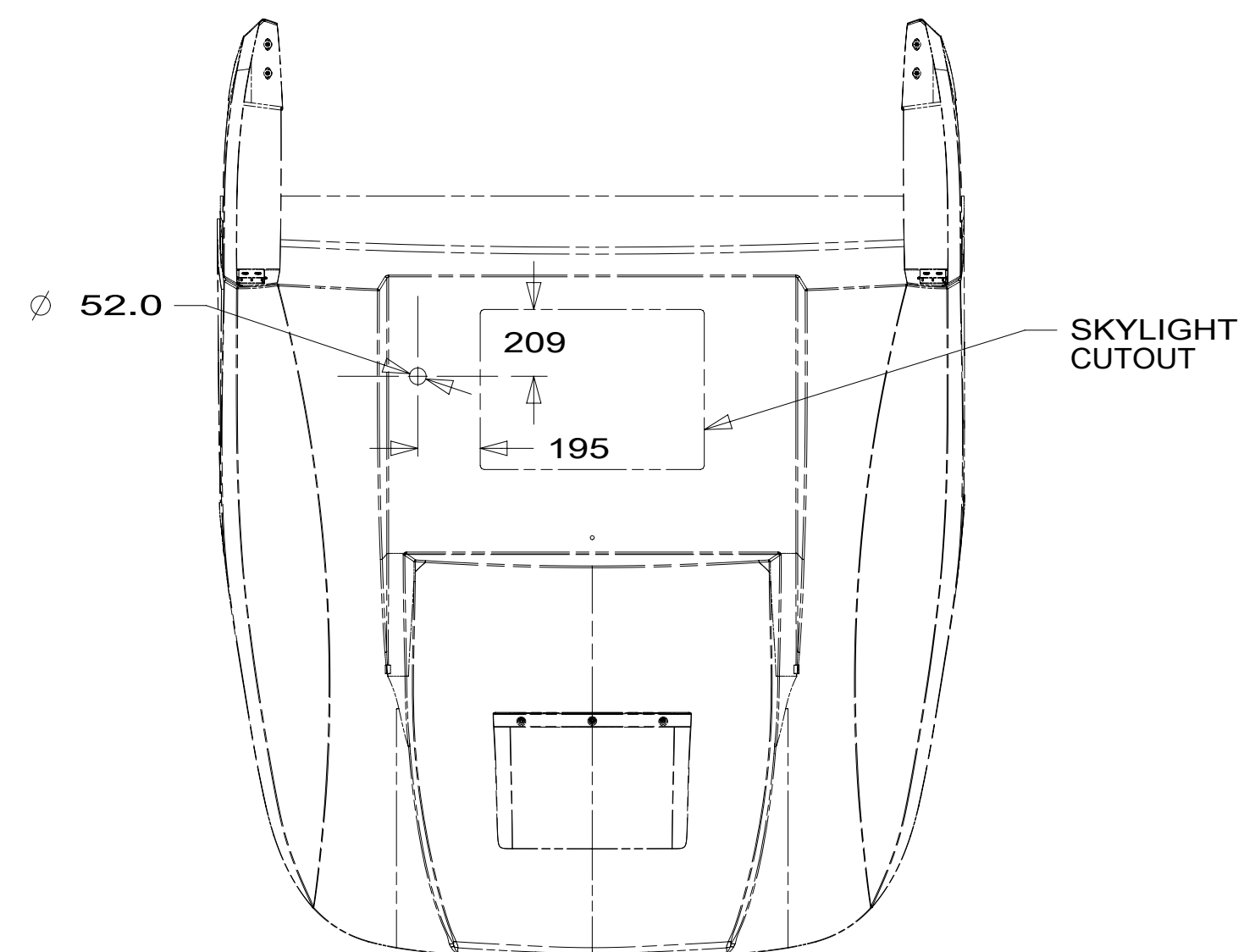
- NOTES:
- 2 SECURE CAMERA AND CABLE CONNECTION WITH ELECTRICAL TAPE (008363-01-000).
 - 1 SECURE CABLE TO BACKWALL WITH CABLE TIE (108046-02-000)(OR EQUAL).

FOR ELECTRICAL
 TORQUE
 SPECIFICATIONS
 SEE DWG NO.
 128783-01-000

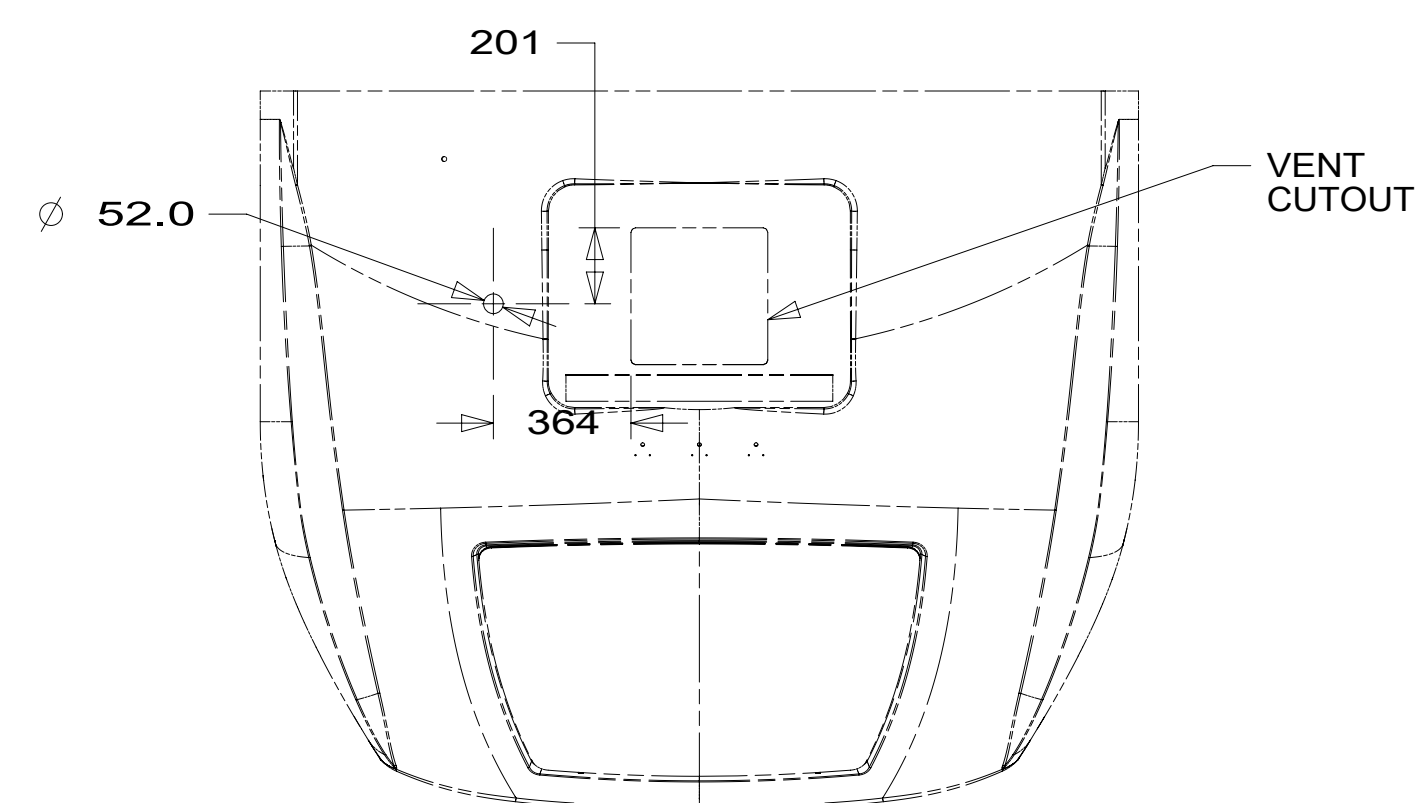
FOR
 ELECTRICAL
 CALLOUTS
 SEE DWG NO.
 121339-01-000

- 153 LG SCREEN-INFO/GPS SIRIUSXM
- 265 CODES/STANDARDS-CSA/CMVSS
- 1B1 CODES/STANDARDS USA

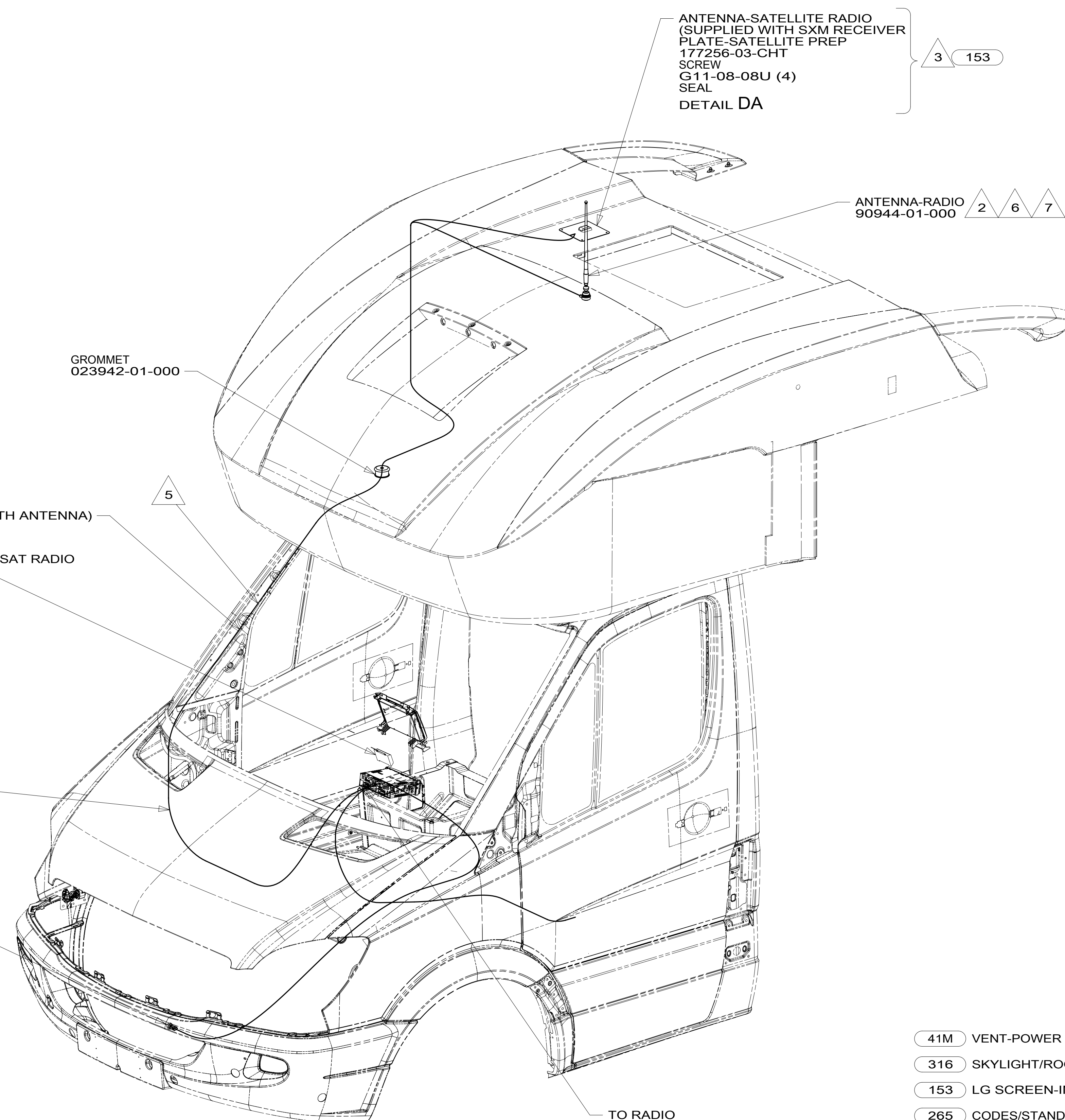
DESCRIPTION:	1B1 265 153	
RADIO/MONITOR INSTL		
SHEET:	ITEM/PART NO:	REV
3 OF 7	000027611 / 31602801000	



DETAIL DA 153 AND 316



DETAIL DA 153 AND 41M



ANTENNA-SATELLITE RADIO
(SUPPLIED WITH SXM RECEIVER
PLATE-SATELLITE PREP
177256-03-CHT
SCREW
G11-08-08U (4)
SEAL
DETAIL DA

ANTENNA-RADIO
90944-01-000

GROMMET
023942-01-000

153 CABLE ASM
(SUPPLIED WITH ANTENNA)

153 RECEIVER-SAT RADIO
(REF)

1 CABLE ASM-ANTENNA
77069-03-000

153 SENSOR-TEMPERATURE
(REF)

FOR ELECTRICAL
TORQUE
SPECIFICATIONS
SEE DWG NO.
128783-01-000

X-X

FOR
ELECTRICAL
CALLOUTS
SEE DWG NO.
121339-01-000

- 41M VENT-POWER VENTILATOR
- 316 SKYLIGHT/ROOF VENT, POWER
- 153 LG SCREEN-INFO/GPS SIRIUSXM
- 265 CODES/STANDARDS-CSA/CMVSS
- 1B1 CODES/STANDARDS USA

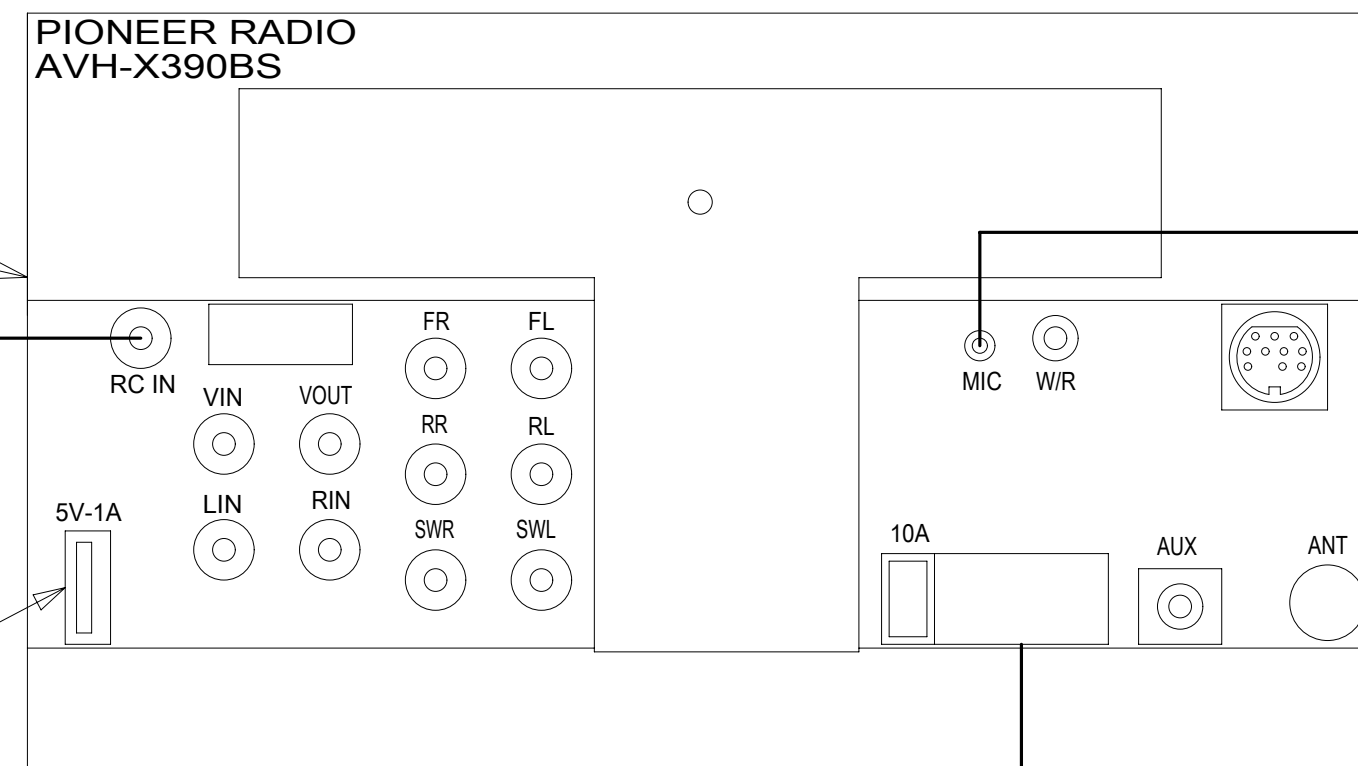
1B1 265

DESCRIPTION:
RADIO/MONITOR INSTL

SHEET: 4 OF 7 ITEM/PART NO: 000027611 / 31602801000 REV

- NOTES:
- 8 DRILL 16MM HOLE THROUGH BUMPER COVER BEHIND LICENSE PLATE BRACKET AND INSTALL SENSOR.
 - 7 CUT AND REMOVE A 75MM X 75MM AREA OF THE ALUMINUM INSULATION, CENTERED ABOUT THE RADIO ANTENNA ROOF CAP.
 - 6 REMOVE AND REINSTALL AFTER PAINT.
 - 5 ROUTE SATELLITE RADIO ANTENNA CABLE FROM THE DASH UP A-PILLAR TO ROOF CAP.
 - 4 CONNECT UNILINK CABLE SUPPLIED WITH SATELLITE RECEIVER BETWEEN DASH RADIO AND SATELLITE RECEIVER UNDER PASSENGER SEAT ROUTE I-POD CABLE TO TRAY ABOVE DASH RADIO.
 - 3 MOUNT ANTENNA SUCH THAT BASE IS SQUARE W/REAR OF ROOF CAP & CENTER HOLE OF ANTENNA DIRECTLY OVER HOLE IN FIBERGLASS. SEAL HOLE, BASE, AND SCREWS.
 - 2 SEAL AROUND ANTENNA BASE.
 - 1 ROUTE RADIO ANTENNA CABLE FROM DASH RADIO UNDER DASH UP PASSENGER SIDE A-PILLAR TO ROOF CAP.

RADIO-AM/FM/DVD,
TOUCH,2-DIN
000102678 / 321438-01-000
BRACKET
178610-01-000
APPLIQUE-RADIO
185341-01-CHT
KIT-RADIO
176654-08-000

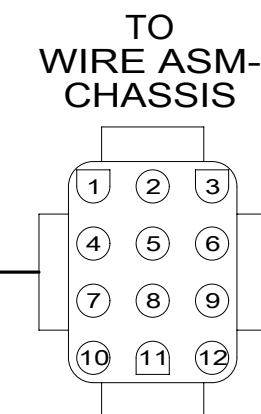


MICROPHONE CABLE

ROUTE TO DASH POCKET
ABOVE RADIO

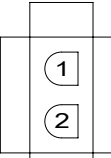
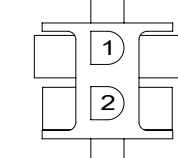
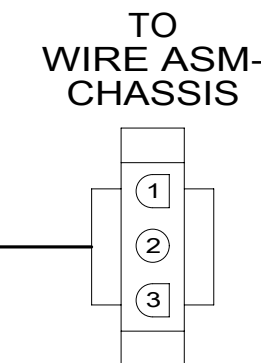
1

HARNESS-RADIO,12 PIN
183820-19-000



BLUE/WHITE WIRE

BUTT SPLICE TO
FN CIRCUIT ON
WIRE ASM-CHASSIS



HARNESS-CAMERA ADAPTER
183820-03-000

CABLE-CAMERA,20M
183822-02-000

TO
REAR
CAMERA

1 PLUG USB CABLE SUPPLIED WITH RADIO INTO LEAD ON BACK OF RADIO MARKED 'USB'. ROUTE CABLE TO THE LEFT OF RADIO. WIRE TIE EXCESS CABLE UNDER DASH IN THE AREA LEFT OF THE RADIO. LEAVE 200 MM OF CABLE IN THE MOTOR COVER BEVERAGE TRAY. MAKE SURE CABLE DOES NOT GET PINCHED BY MOTOR COVER.

NOTES:

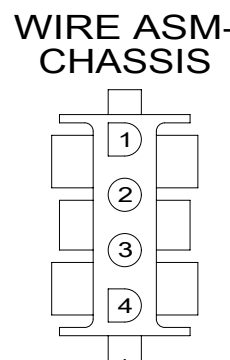
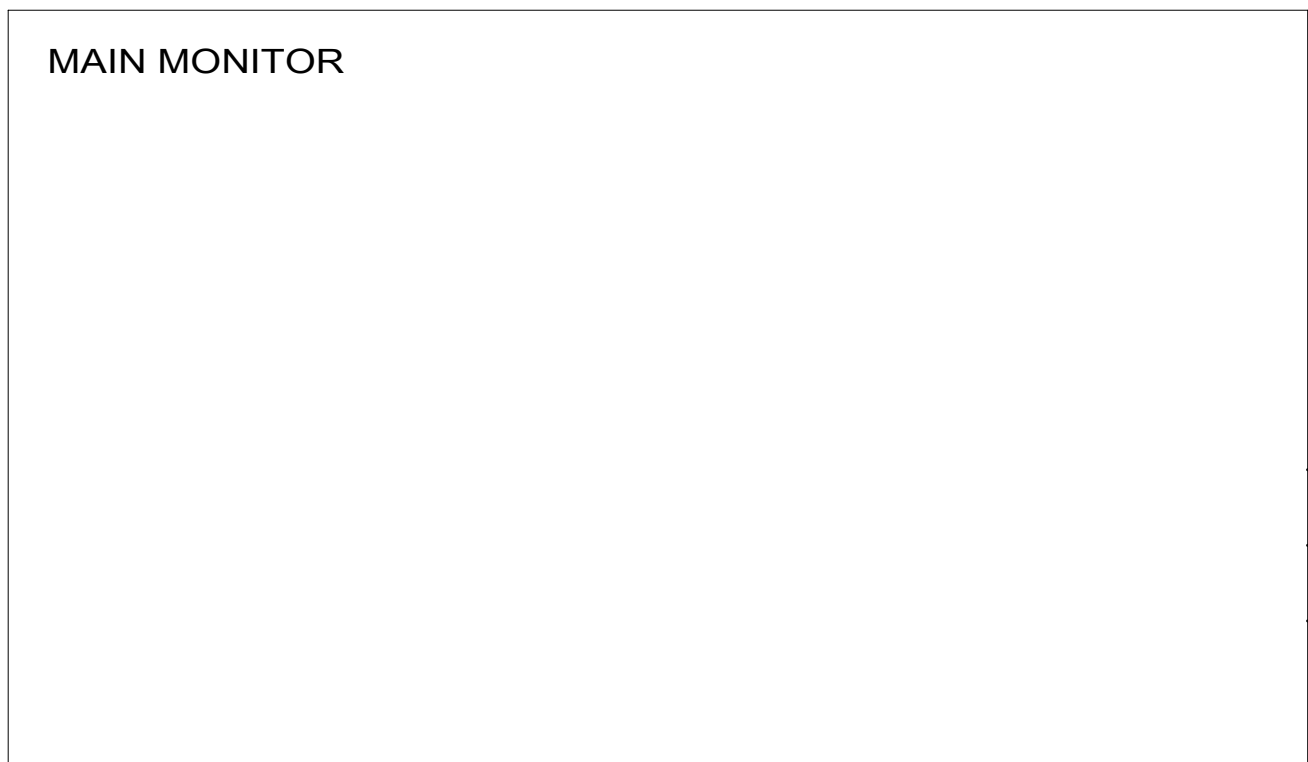
FOR ELECTRICAL
TORQUE
SPECIFICATIONS
SEE DWG NO.
128783-01-000

FOR
ELECTRICAL
CALLOUTS
SEE DWG NO.
121339-01-000

- 19R RADIO/REARVIEW MONITOR SYS
- 265 CODES/STANDARDS-CSA/CMVSS
- 1B1 CODES/STANDARDS USA

1B1 265 19R

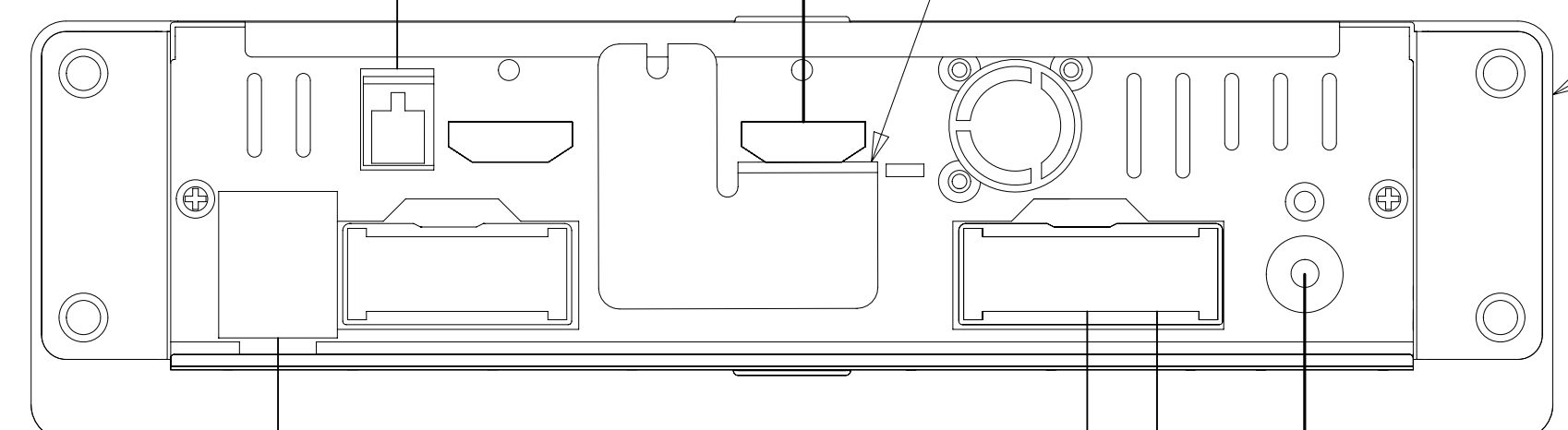
DESCRIPTION: RADIO/MONITOR INSTL		
SHEET: 5 OF 7	ITEM/PART NO: 000027611 / 31602801000	REV



CAMERA CABLE
000025362 / 315260-01-000

REAR
CAMERA
(REF)

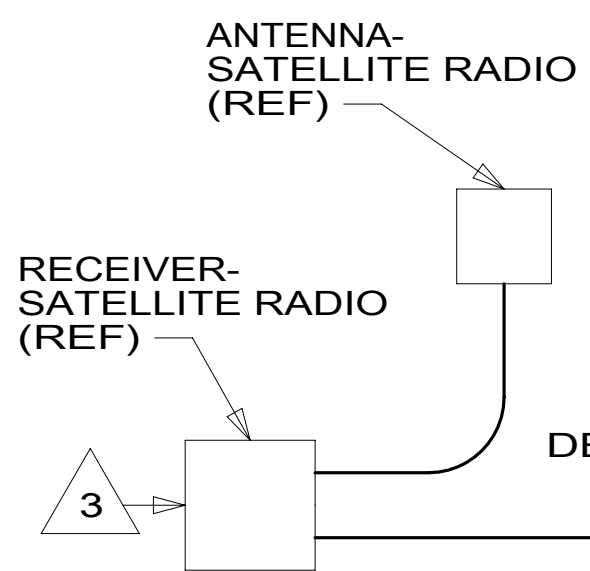
BRACKET-CLAMP,HDMI
000038736 / 318986-01-CHT
TAPE-FOAM DBL COATED
076322-22-000 (40 MM)



BT MIC

RADIO ANTENNA

PSM/CAN CONNECTION



EXT IR

GPS

DETAIL FA

SXM

CMM

MIC IN

USB1

WIFI ADAPTER (SUPPLIED W/ RADIO)

BLUE/WHITE WIRE

BUTT SPLICE

FN

NO CONNECTION



2-PIN CONNECTOR

TEMP SENSOR

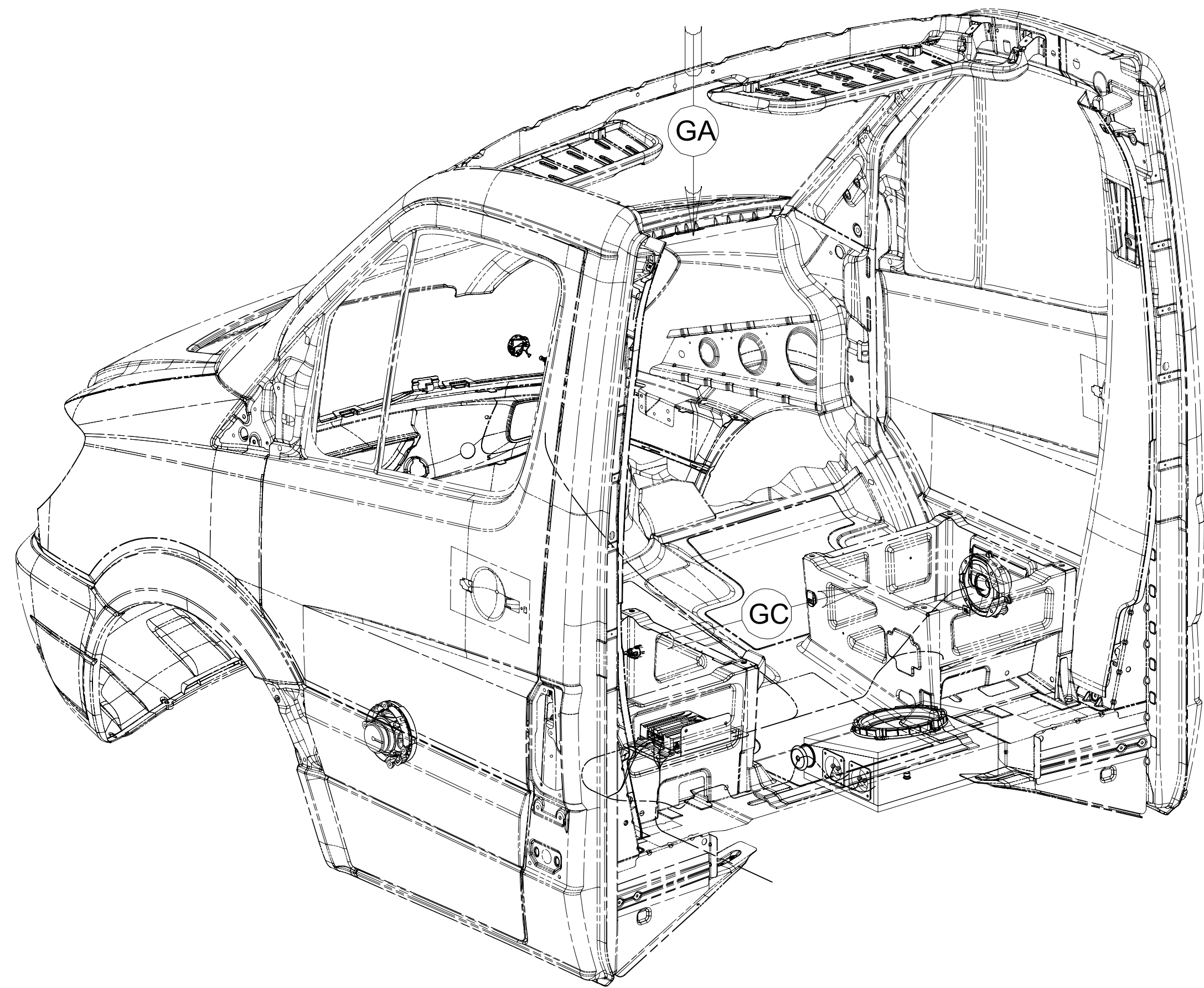
- NOTES:
- 4 WIRE TIE TO DASH RADIO WIRING BEHIND THE RADIO.
 - 3 PLUG CABLE INTO LEAD ON BACK OF RADIO.
 - 2 SEE SHT 1 FOR ADDITIONAL INFORMATION.
 - 1 MOUNT GPS ANTENNA TO TOP OF DEFROST PLENUM BEHIND RADIO.

FOR ELECTRICAL TORQUE SPECIFICATIONS SEE DWG NO. 128783-01-000

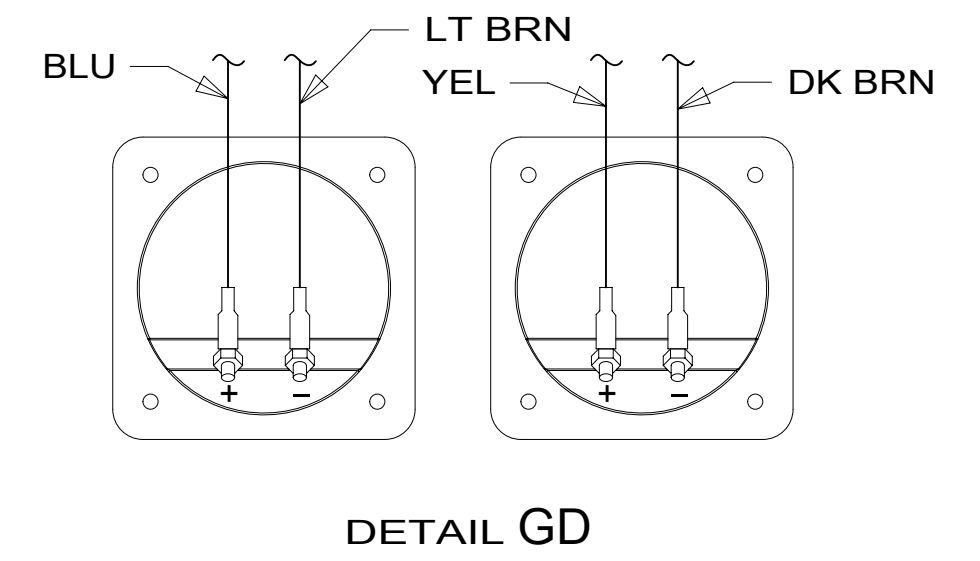
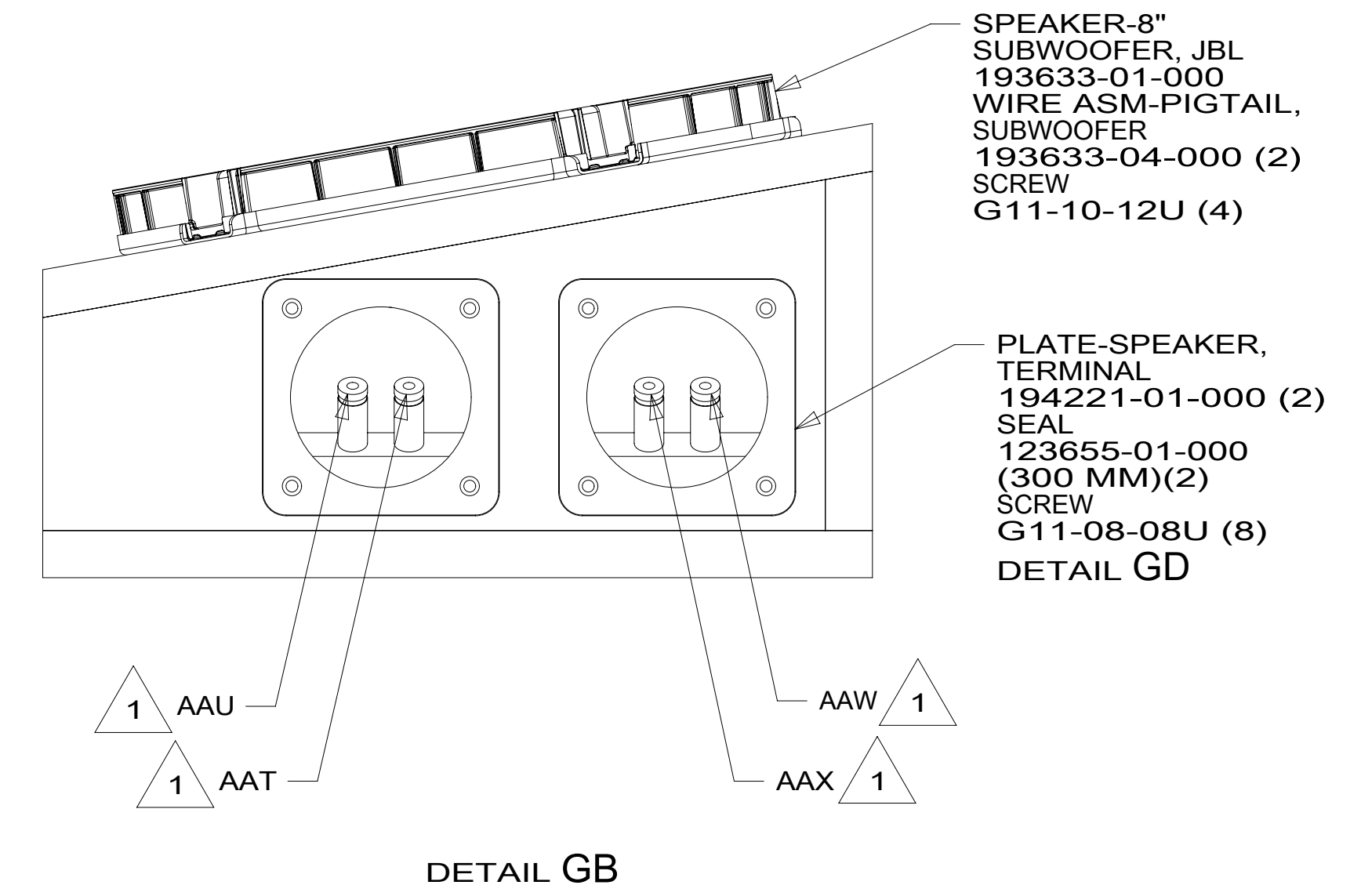
FOR ELECTRICAL CALLOUTS SEE DWG NO. 121339-01-000

- 153 LG SCREEN-INFO/GPS SIRIUSXM
- 265 CODES/STANDARDS-CSA/CMVSS
- 1B1 CODES/STANDARDS USA

DESCRIPTION:	1B1 265 153	
RADIO/MONITOR INSTL		
SHEET:	ITEM/PART NO:	REV
6 OF 7	000027611 / 31602801000	



VIEW GC
 LOGO-JBL
 302951-01-000 (2) 4



2 SPEAKER-5.25", MIDRANGE, JBL
 194529-01-000
 SPACER-SPEAKER
 194873-01-000
 ADAPTER-SPEAKER, SPRINTER
 194530-01-000

WIRE ASM-CHASSIS (REFERENCE)

3 WIRE ASM-AMP, INPUT
 194532-01-000
 WIRE ASM-AMP, OUTPUT
 194532-02-000

AMPLIFIER-PREMIUM AUDIO, 500
 194527-01-000
 PANEL-AMPLIFIER
 195229-01-CHT
 RIVET
 165072-01-CHT (3)
 NUT
 OMD54F-06-000 (2)

GROMMET
 023942-01-000

2 SPEAKER-5.25", MIDRANGE, JBL
 194529-01-000
 SPACER-SPEAKER
 194873-01-000
 ADAPTER-SPEAKER, SPRINTER
 194530-01-000

BOX ASM-SPEAKER, SUB WOOFER
 194555-01-XXX
 DETAIL GB

VIEW GA

4 CENTER ON BOTTOM OF SPEAKER GRILL ON DOOR PANEL.
 CLEAN SURFACE WITH PROMOTER 087211-01-000.

3 WITH 57P
 CONNECT 15 PIN HSGS FROM WIRE ASM-CHASSIS TO WIRE ASM-AMP
 WITHOUT 57P
 CONNECT 15 PIN HSGS IN WIRE ASM-CHASSIS TOGETHER.

2 REPLACE FACTORY DOOR SPEAKER WITH SPEAKER CALLED OUT.

1 WIRE IS PART OF WIRE ASM-CHASSIS.

NOTES:

- 57P RADIO SPEAKERS-PREMIUM SOUND
- 265 CODES/STANDARDS-CSA/CMVSS
- 1B1 CODES/STANDARDS USA

FOR ELECTRICAL TORQUE SPECIFICATIONS SEE DWG NO. 128783-01-000

FOR ELECTRICAL CALLOUTS SEE DWG NO. 121339-01-000

DESCRIPTION: RADIO/MONITOR INSTL		
SHEET: 7 OF 7	ITEM/PART NO.: 000027611 / 31602801000	REV