

8 7 6 5 4 3 2 1



D

D

C

C

B

B

A

A

RED	1B1	136135-07-056
	265	136136-07-056
YEL	1B1	136131-05-030
	265	136134-05-030
BRN	1B1	136131-03-167
	265	136134-03-167
BLU	1B1	136131-02-090
	265	136134-02-090
MAIN	1B1	136137-01-069
	265	136138-01-069
BLK	1B1	136131-06-071
	265	136134-06-071
SLIDEOUT WIRE #1		136151-06-023
SLIDEOUT WIRE #2		136151-02-023
SLIDEOUT WIRE #3		136151-03-023
GROUND MAIN		178545-01-025

THROW IN WIRE #1	1B1	136131-02-050
	265	136134-02-050
THROW IN WIRE #2	1B1	136131-03-050
	265	136134-03-050
THROW IN WIRE #3	1B1	136131-03-048
	265	136134-03-048
THROW IN WIRE #4	1B1	136131-02-030
	265	136134-02-030

- EXT TV ENTERTAINMENT CENTER
- ELECTRICAL SYSTEM 30 AMP
- CODES/STANDARDS-CSA/CMVSS
- CODES/STANDARDS USA

**WINNEBAGO**<sup>®</sup>  
COPYRIGHT 2016 WINNEBAGO INDUSTRIES, INC.

DSNR:		ALL DIMENSIONS ARE IN MILLIMETERS	
DIFFR:		MATERIAL:	
UNSPECIFIED TOLERANCES:			
WHOLE DIM (X)	: 3		
ONE-PLACE (X.X)	: 1.5		
TWO-PLACE (X.XX)	: 0.50		
ANGLE	: 1°		
REFER TO ES0018 FOR FASTENER TIGHTENING GUIDELINES		WEIGHT: (LBS)	FIRST USED: <b>17 E27PE</b>
DESCRIPTION: <b>LOAD CENTER/ATS ASM</b>			
SHEET: <b>1 OF 3</b>	ITEM/PART NO: <b>000027244 / 31591401000</b>	REV:	

- SEE DETAIL **BB** FOR CONNECTOR INSTALLATION.
- SEE DETAIL **BA** FOR CONNECTOR INSTALLATION.
1. ALL GROUNDS WIRES TO BE COVERED WITH TUBING 8041-02-000.

NOTES:

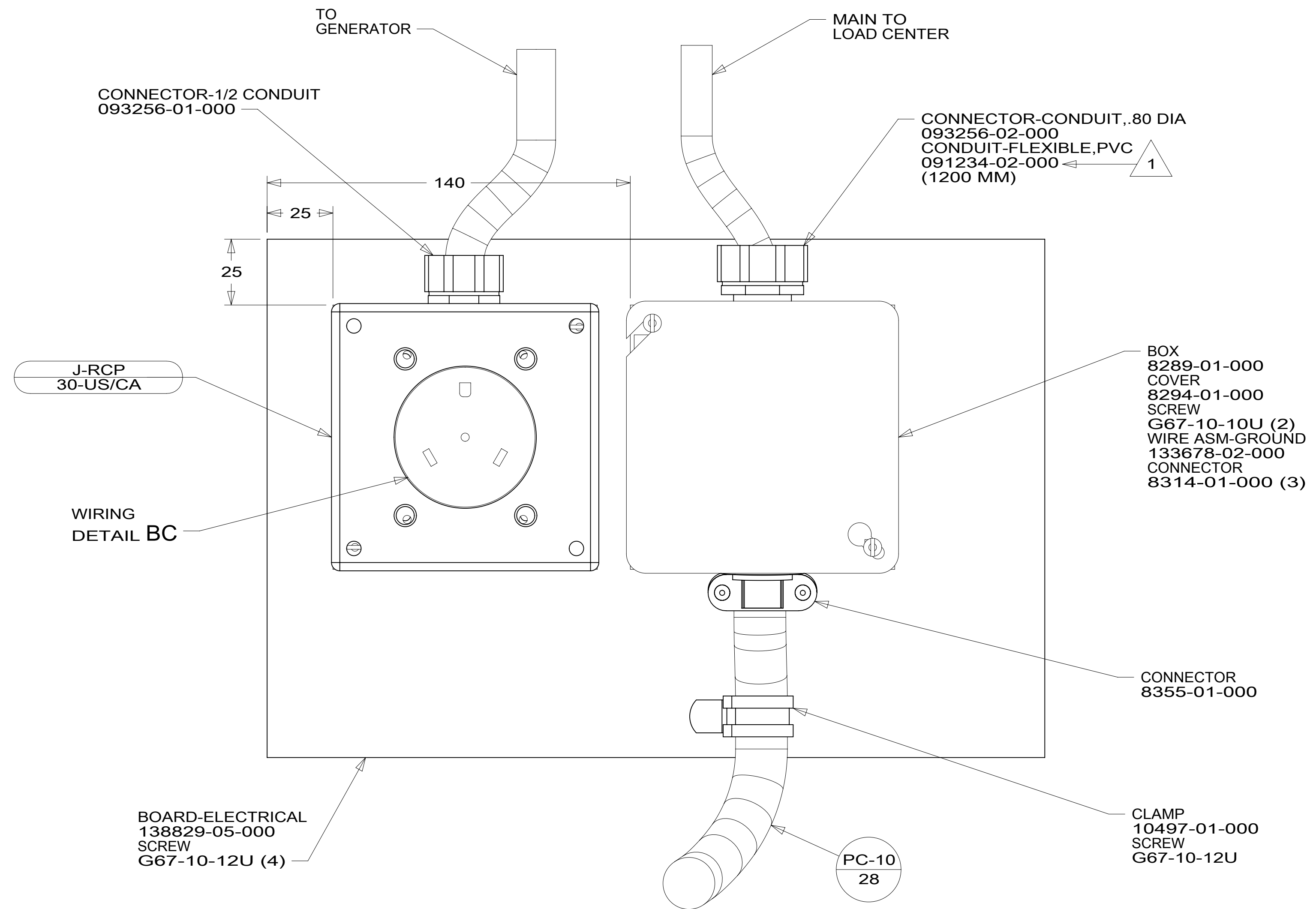
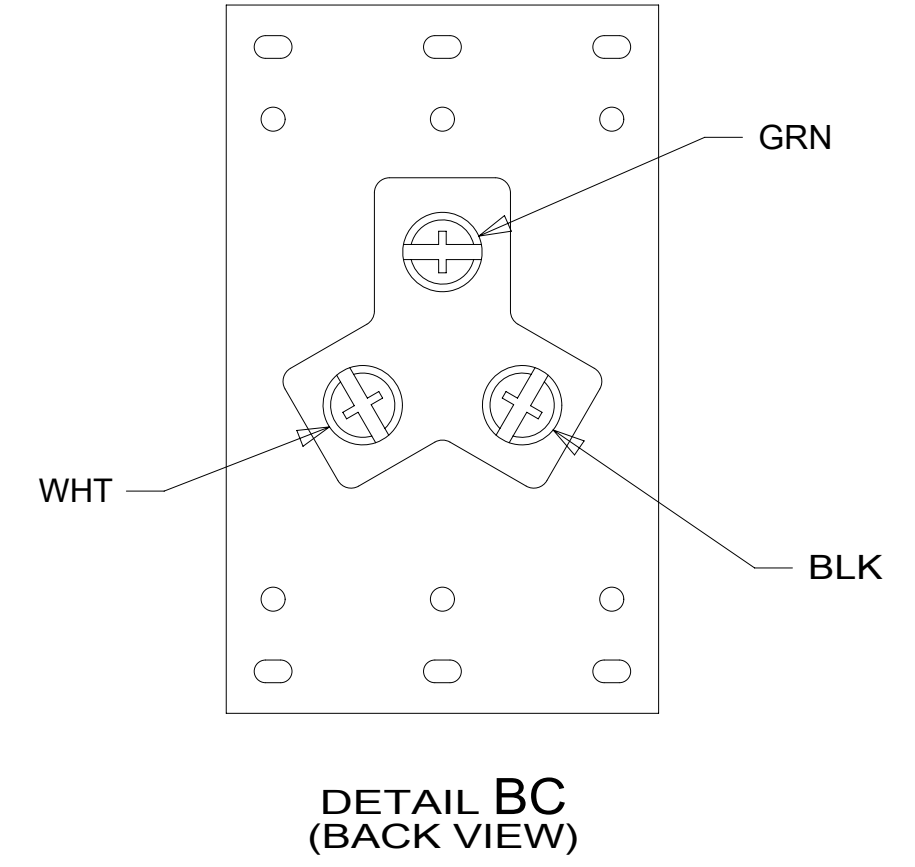
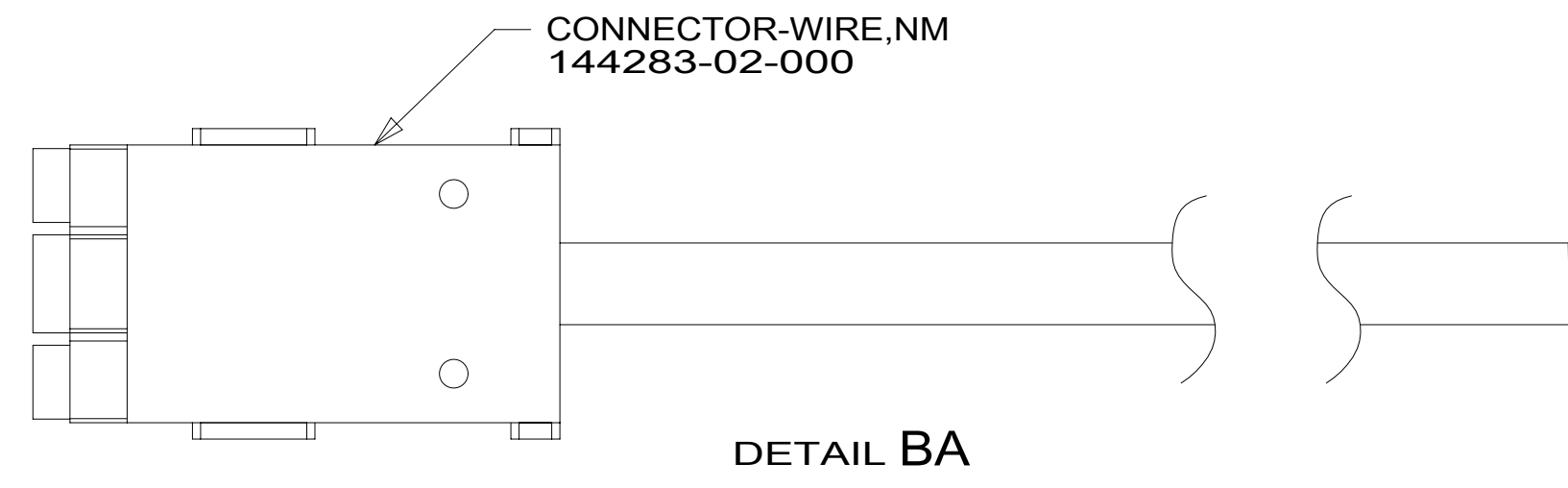
FOR ELECTRICAL TORQUE SPECIFICATIONS SEE DWG NO. 128783-01-000

FOR ELECTRICAL CALLOUTS SEE DWG NO. 121339-01-000

8 7 6 5 4 3 2 1



8 7 6 5 4 3 2 1



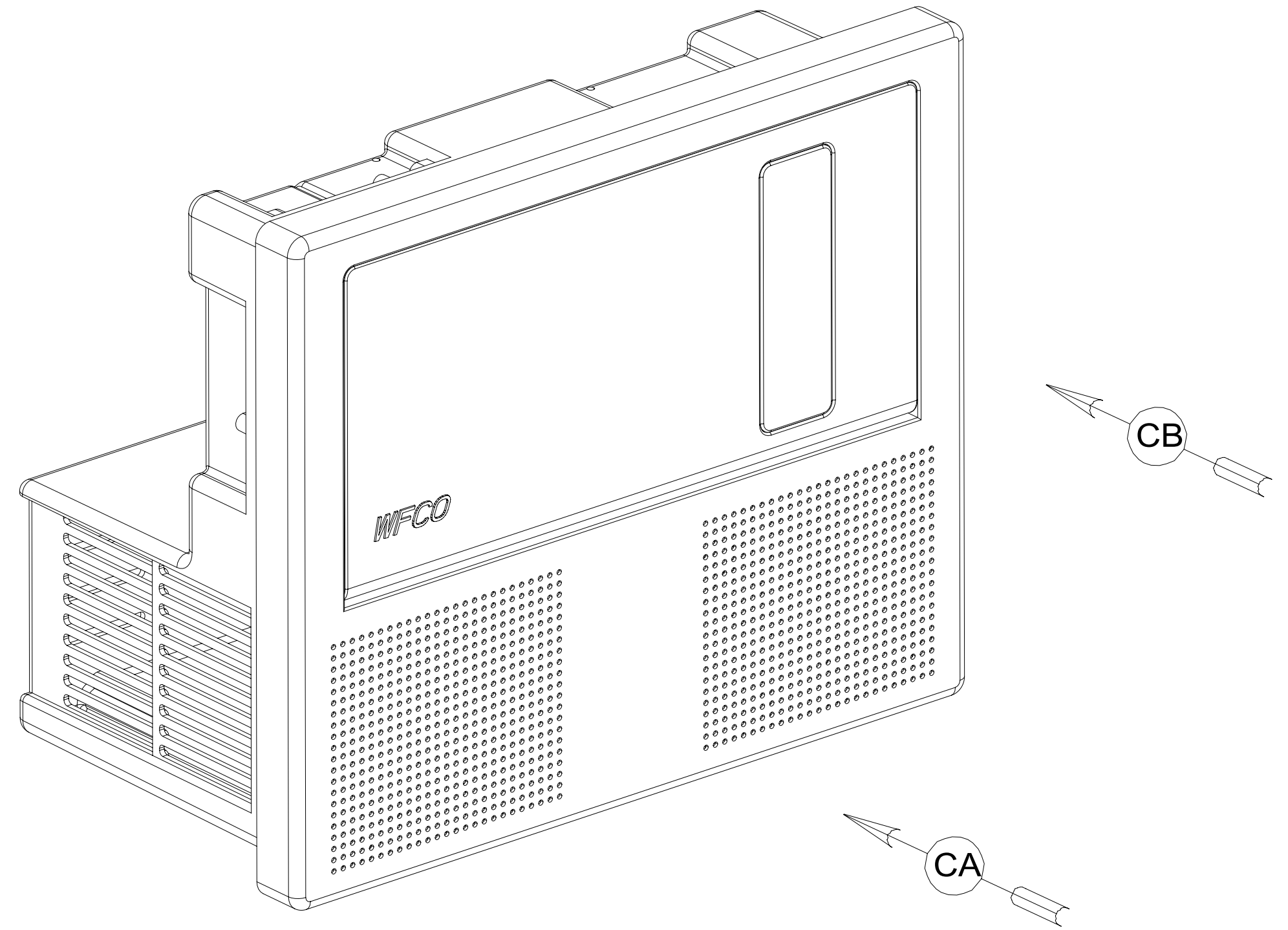
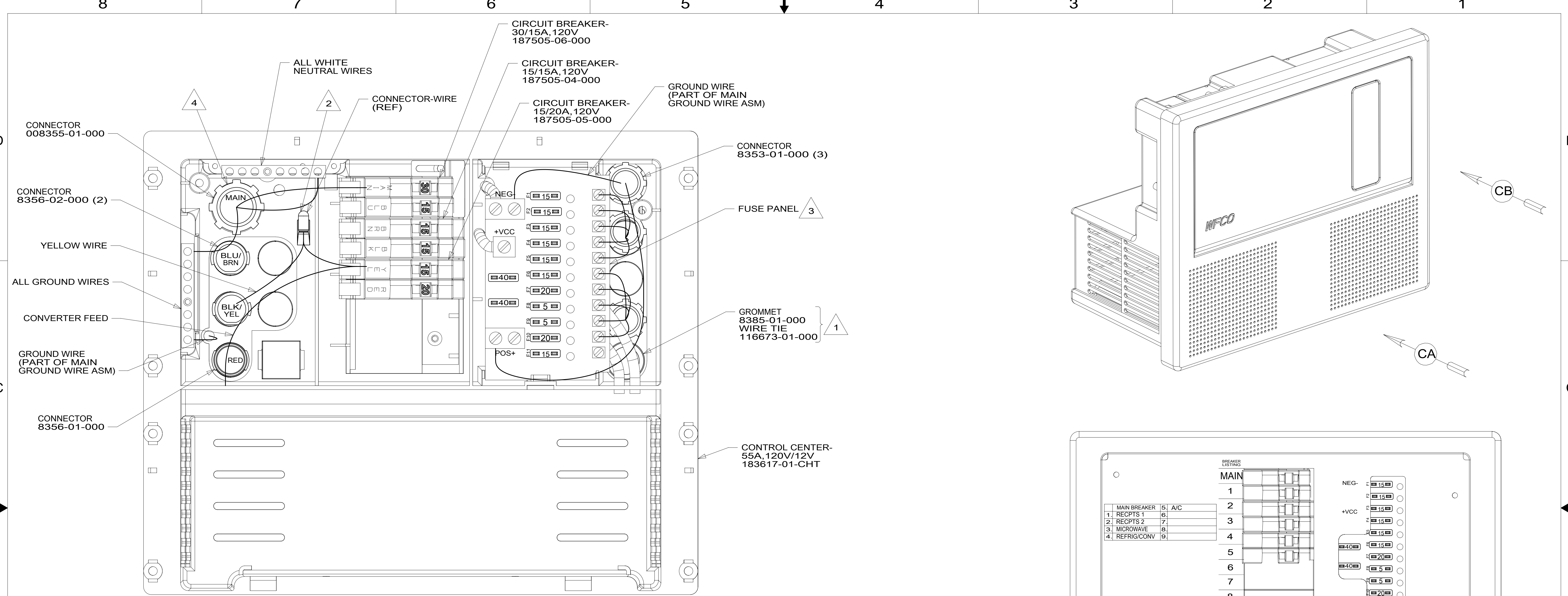
1 SECURE CONDUIT TO MAIN CABLE ASSEMBLY WITH TAPE 8363-01-000 FOR TRANSPORTATION PURPOSES.

FOR ELECTRICAL TORQUE SPECIFICATIONS SEE DWG NO. 128783-01-000

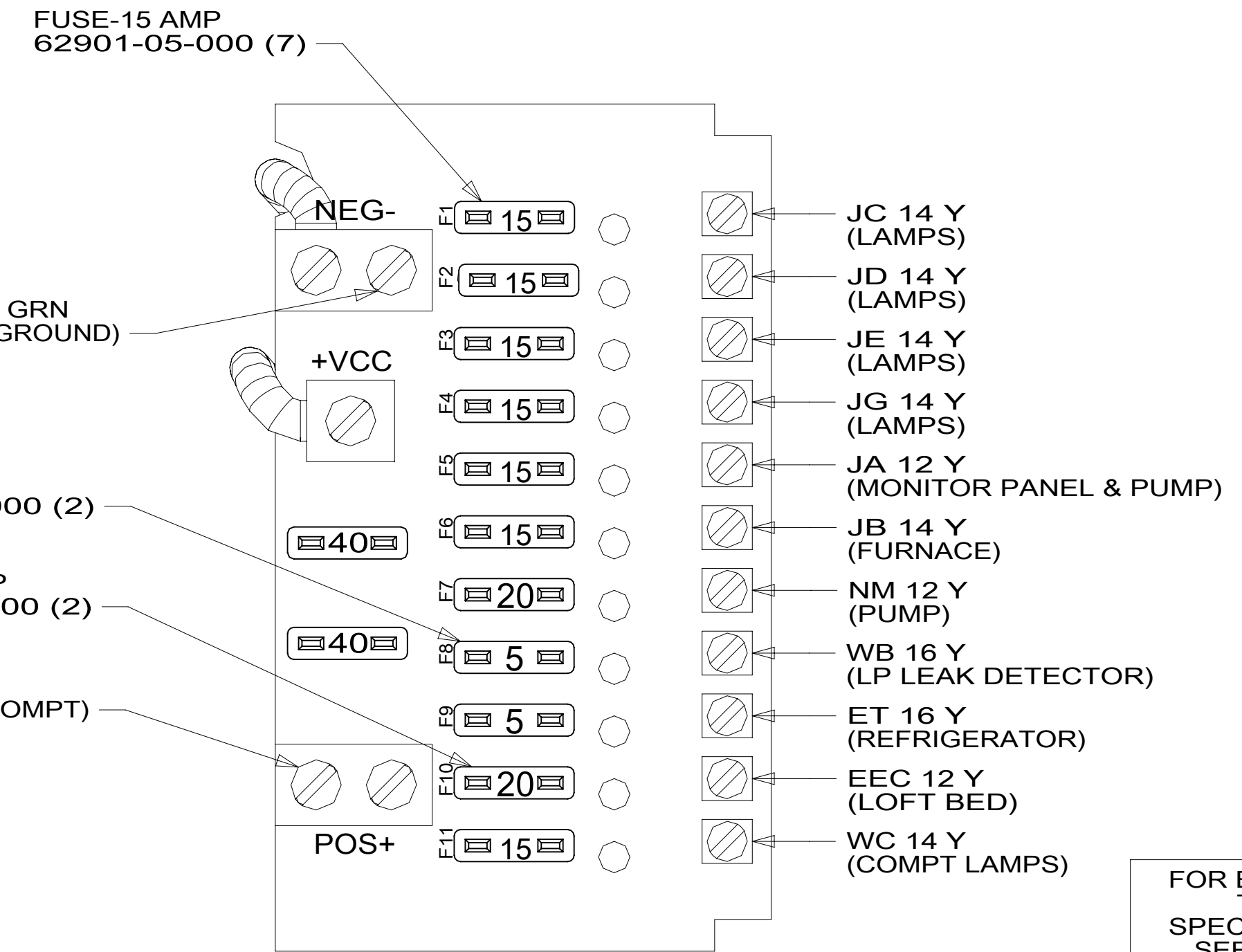
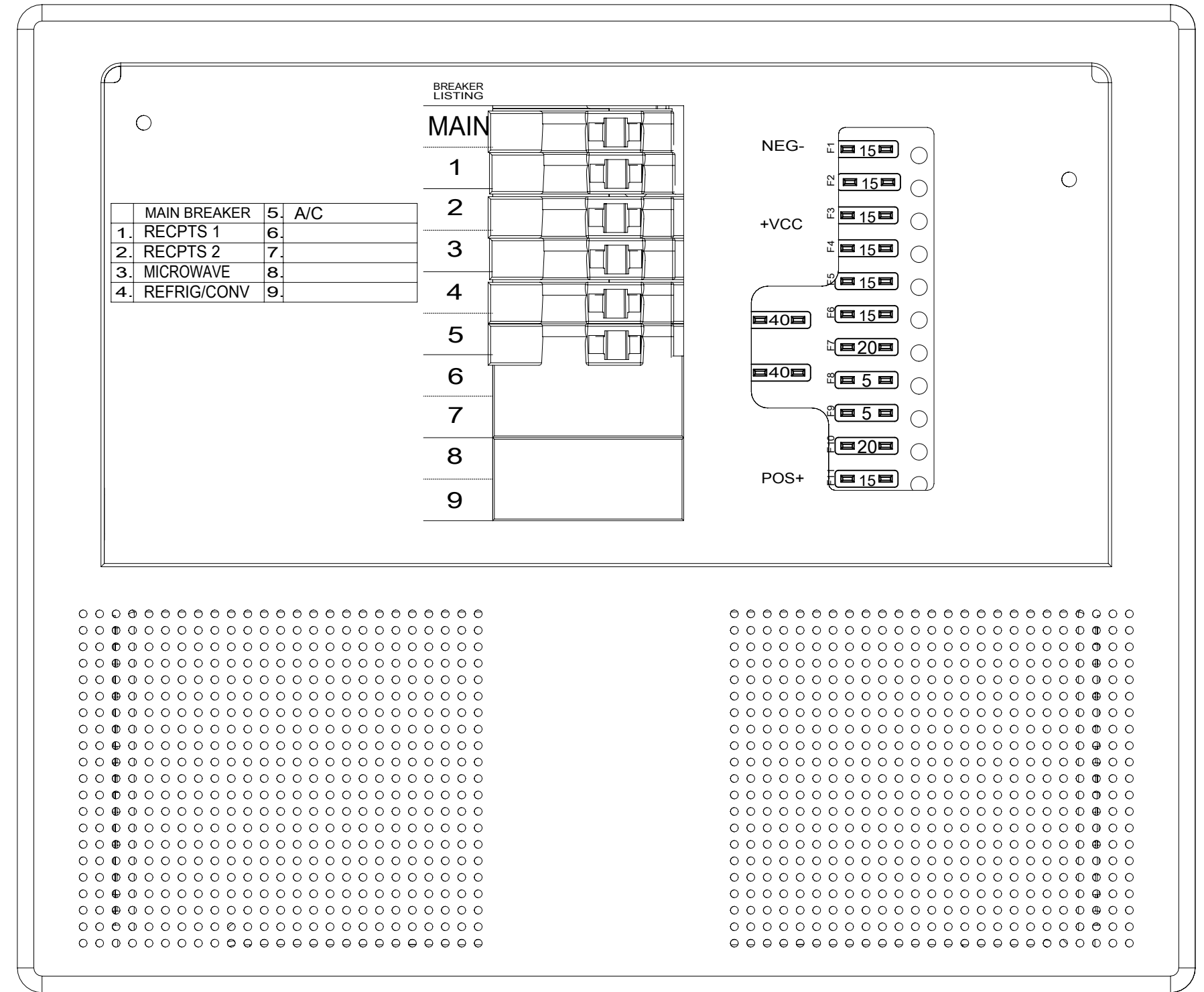
X-X FOR ELECTRICAL CALLOUTS SEE DWG NO. 121339-01-000

265 CODES/STANDARDS-CSA/CMVSS  
1B1 CODES/STANDARDS USA

DESCRIPTION:		1B1 265	
<b>LOAD CENTER/ATS ASM</b>			
SHEET:	ITEM/PART NO.:	REV	
2 OF 3	000027244 / 31591401000		



VIEW CA  
(COVER REMOVED)



- NOTES:
- 4 TO BE CONNECTED DURING ASSEMBLY OF LOAD CENTER.
  - 3 SEE TAB BLOCK FOR MODEL SPECIFIC SHEETS.
  - 2 CONNECT CONVERTER POWER CIRCUIT INTO YELLOW BREAKER USE SUPPLIED WIRE NUT TO CONNECT TO YELLOW CIRCUIT WIRE.
  - 1 INSERT GROMMET FROM THE INSIDE OF CONTROL CENTER. SECURE 110V WIRES TO BACKSIDE OF CONTROL CENTER WITH WIRE TIE.

FOR ELECTRICAL TORQUE SPECIFICATIONS SEE DWG NO. 128783-01-000

FOR ELECTRICAL CALLOUTS SEE DWG NO. 121339-01-000

DESCRIPTION: <b>LOAD CENTER/ATS ASM</b>		
SHEET: <b>3 OF 3</b>	ITEM/PART NO: <b>000027244 / 31591401000</b>	REV