

- NOTES:
- 110V WIRE TO BE CLAMPED WITH CLAMP 10497-05-000 WITHIN 200MM OF OUTLET BOXES, USE SCREW G67-10-12B.
  - ALL WIRES TO BE SECURED WITH CLAMP 10495-01-000 OR CLIP 80734-01-000 EVERY 600MM. USE SCREW G67-10-12B UNLESS OTHERWISE SPECIFIED.
  - WHERE WIRES PASS THROUGH HOLES IN STEEL AND NOT OTHERWISE PROTECTED, USE GROMMET 92908-02-000.

FOR ELECTRICAL TORQUE SPECIFICATIONS SEE DWG NO. 128783-01-000  
 FOR ELECTRICAL CALLOUTS SEE DWG NO. 121339-01-000

265 CODES/STANDARDS-CSA/CMVSS  
 1B1 CODES/STANDARDS USA  
 1B1 265

**WINNEBAGO**  
 COPYRIGHT 2016 WINNEBAGO INDUSTRIES, INC.

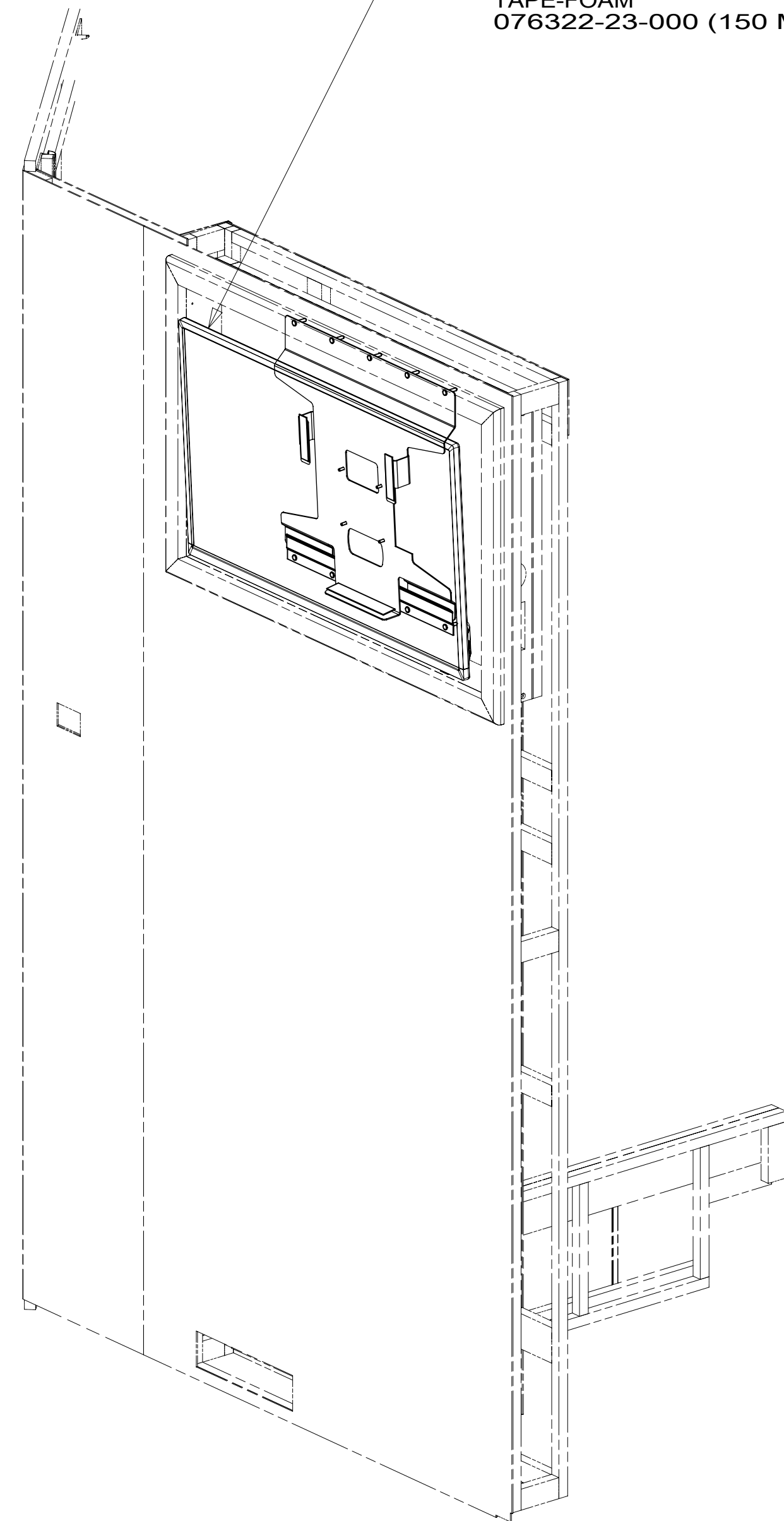
DSNR:	ALL DIMENSIONS ARE IN MILLIMETERS	
DIFFR:		
UNSPECIFIED TOLERANCES:	MATERIAL:	
WHOLE DIM (X) : 3		
ONE-PLACE (X.X) : 1.5		
TWO-PLACE (X.XX) : 0.50		
ANGLE : 1°		
REFER TO ES0018 FOR FASTENER TIGHTENING GUIDELINES	WEIGHT: (LBS)	FIRST USED:
		17 E27PE
DESCRIPTION: <b>WIRING INSTL-TV/DVD</b>		
SHEET: 1 OF 3	ITEM/PART NO: 000027238 / 31590801000	REV:
REF:		1 07-Nov-2017

8 7 6 5 4 3 2 1

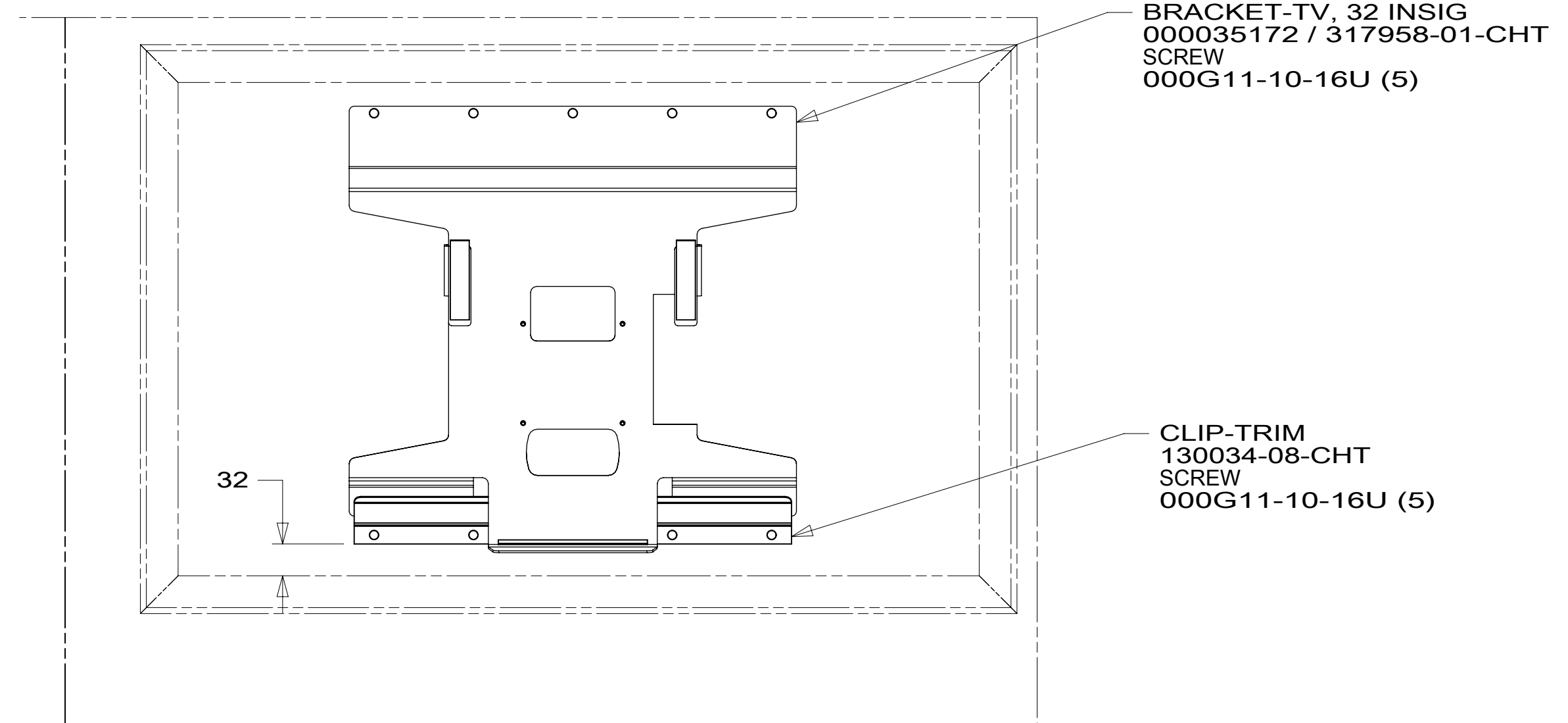
D  
C  
B  
A

D  
C  
B  
A

TV-32" HDTV  
000031285 / 316939-01-000  
SCREW  
OMG02U-04-012 (4)  
WASHER-LOCK  
OME02U-04-071 (4)  
TAPE-FOAM  
076322-22-000 (80 MM) (2)  
TAPE-FOAM  
076322-23-000 (150 MM) 1



BA



VIEW BA  
(TV NOT SHOWN)

1 PREP BOTH SURFACES WITH ADHESIVE-PROMOTER 087211-01-000.

NOTES:

FOR ELECTRICAL  
TORQUE  
SPECIFICATIONS  
SEE DWG NO.  
128783-01-000

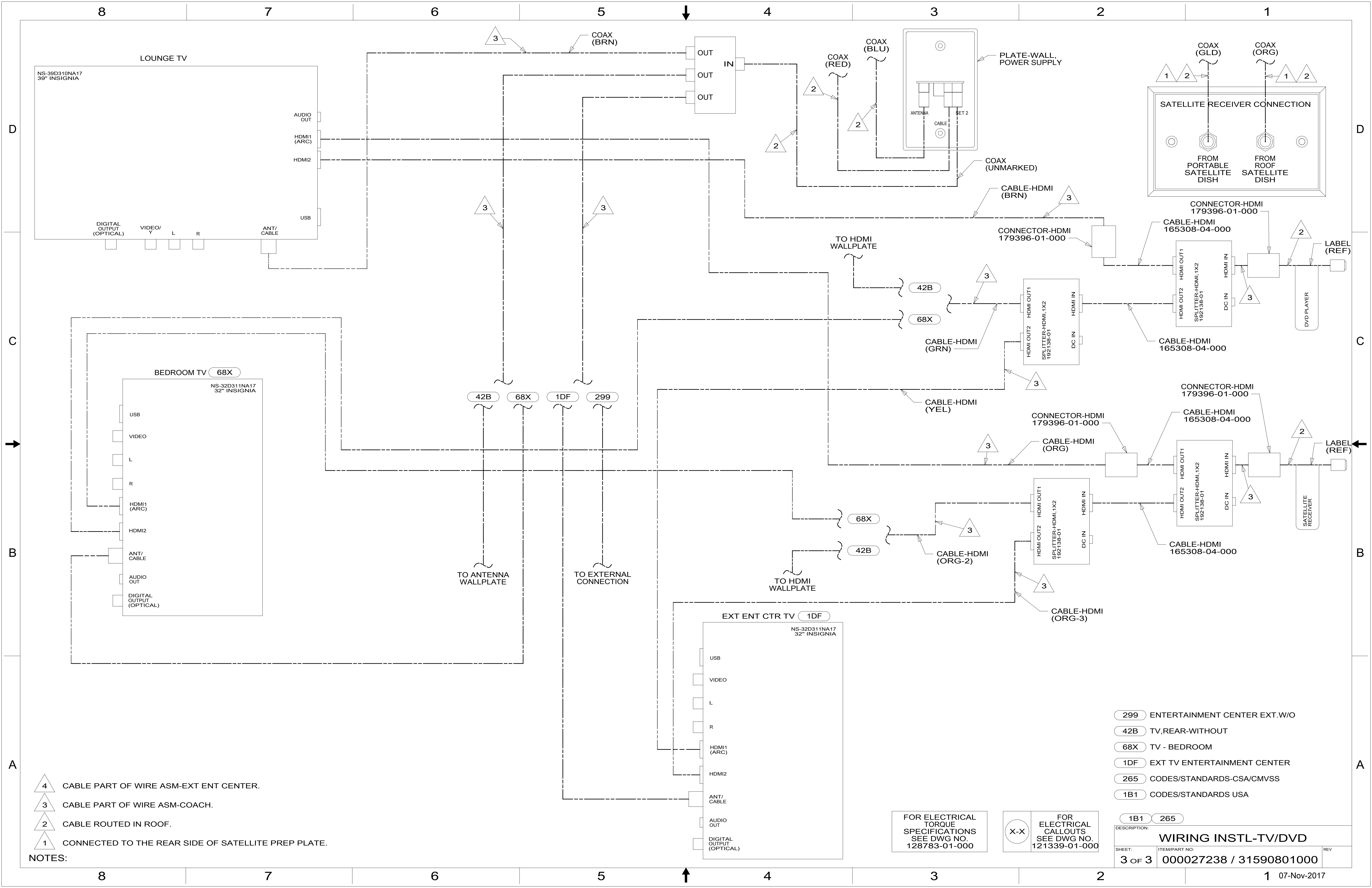
FOR  
ELECTRICAL  
CALLOUTS  
SEE DWG NO.  
121339-01-000

- 68X TV - BEDROOM
- 265 CODES/STANDARDS-CSA/CMVSS
- 1B1 CODES/STANDARDS USA

1B1 265 68X

DESCRIPTION: <b>WIRING INSTL-TV/DVD</b>		
SHEET: 2 OF 3	ITEM/PART NO: 000027238 / 31590801000	REV

8 7 6 5 4 3 2 1 07-Nov-2017



- NOTES:
- 4 CABLE PART OF WIRE ASM-EXT ENT CENTER.
  - 3 CABLE PART OF WIRE ASM-COACH.
  - 2 CABLE ROUTED IN ROOF.
  - 1 CONNECTED TO THE REAR SIDE OF SATELLITE PREP PLATE.

- 299 ENTERTAINMENT CENTER EXT.W/O
- 42B TV,REAR-WITHOUT
- 68X TV - BEDROOM
- 1DF EXT TV ENTERTAINMENT CENTER
- 265 CODES/STANDARDS-CSA/CMVSS
- 1B1 CODES/STANDARDS USA

FOR ELECTRICAL TORQUE SPECIFICATIONS SEE DWG NO. 128783-01-000

FOR ELECTRICAL CALLOUTS SEE DWG NO. 121339-01-000

DESCRIPTION: **WIRING INSTL-TV/DVD**

SHEET: 3 OF 3    ITEM/PART NO.: 000027238 / 31590801000    REV

1 07-Nov-2017