

8 7 6 5 4 3 2 1

D
C
B
A

D
C
B
A

BRACKET-TV SWING MOUNT
179241-03-CHT
SCREW
000G39-10-12U (8)
PLATE-MNTNG,TV,32" INSIGNIA
000035142 / 317956-01-CHT
INVERTER ASM-155W W/ SOCKET
000034454 / 317778-01-XXX
RIVET
113133-01-CHT (4)

CONDUIT-CONVOLUTE
041953-03-000 (1100 MM)

TIE-WIRE
008343-04-000 (2)

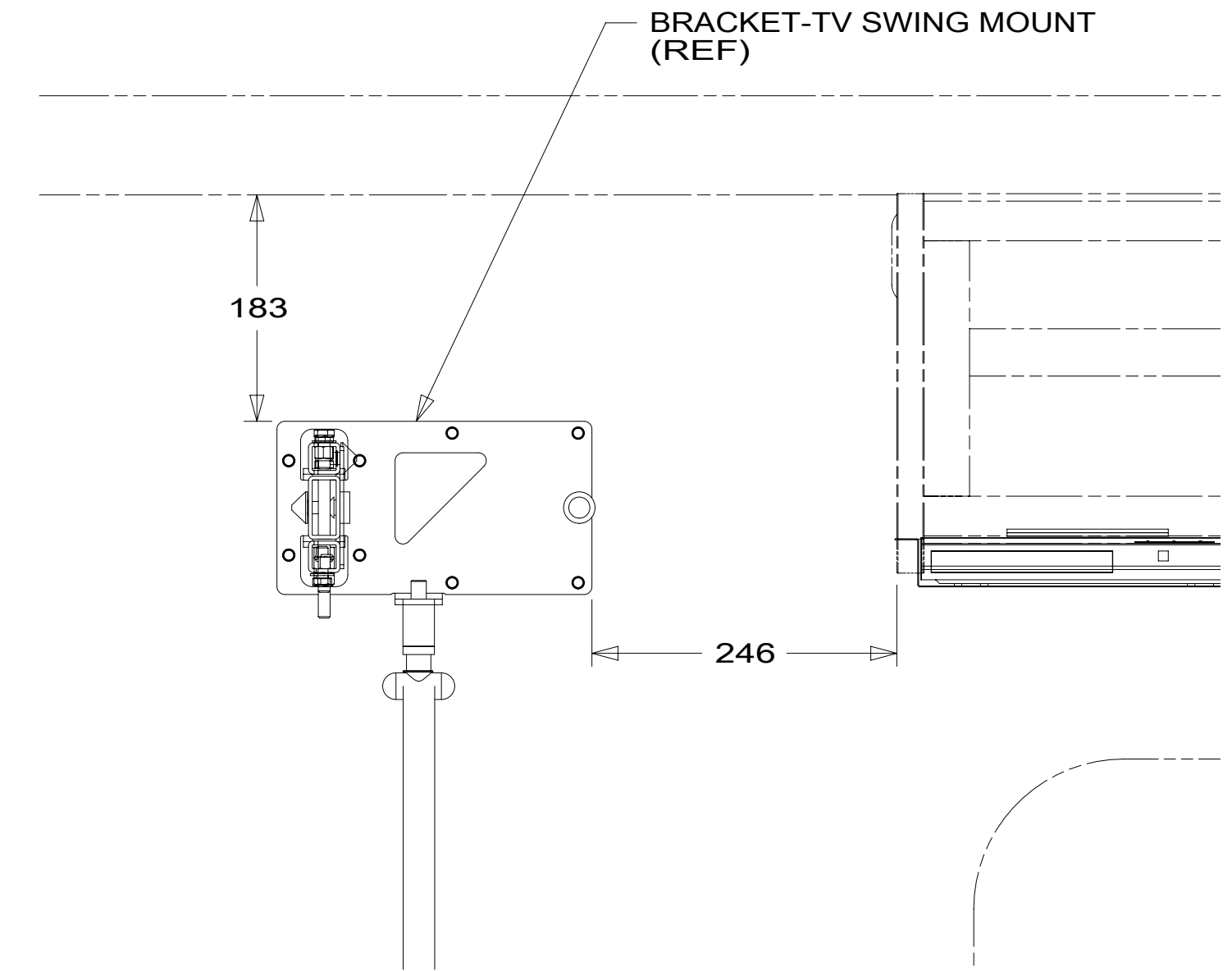
CLAMP
010497-03-000 (4)

110V RCP
(REF) 2

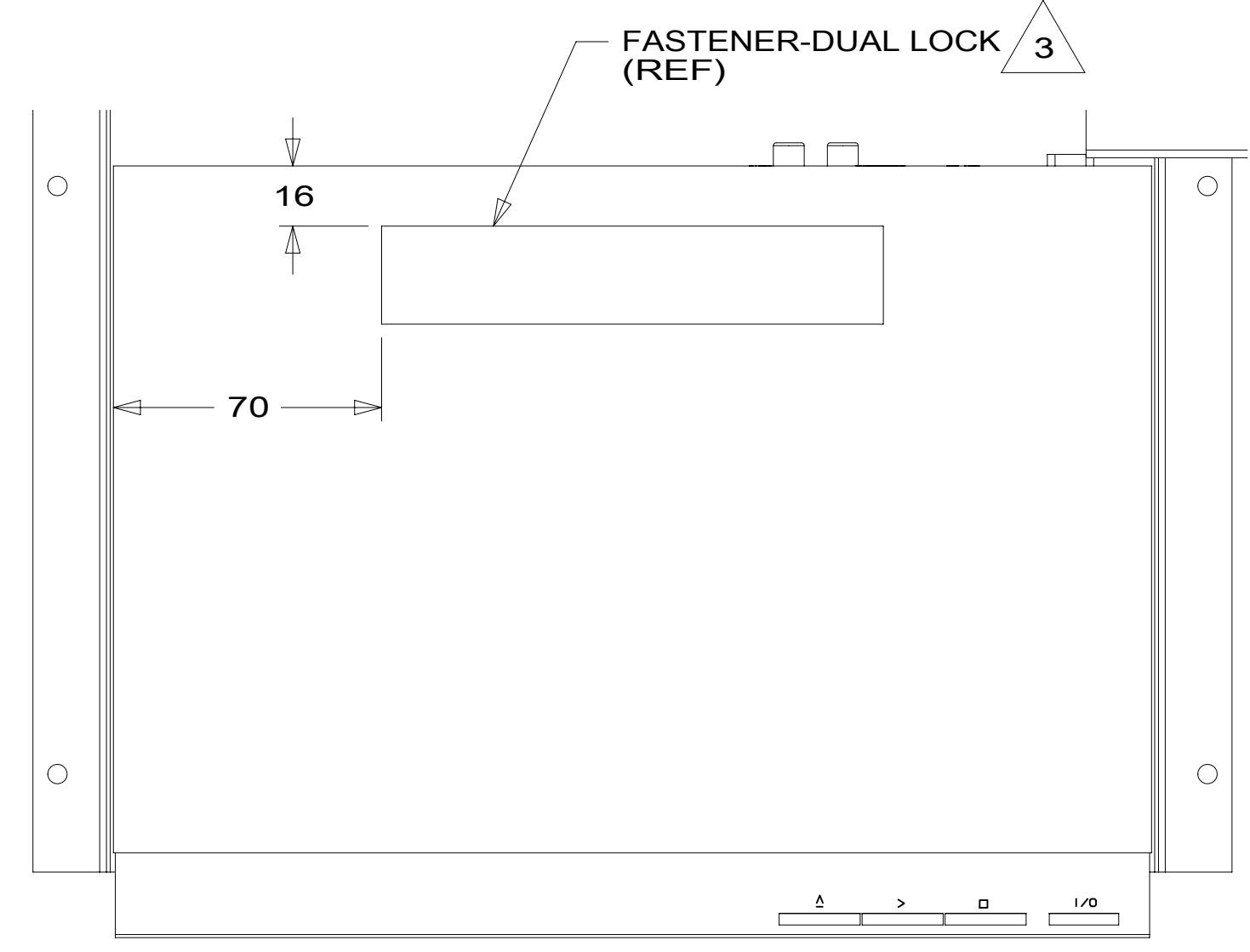
ANTENNA
POWER BOOST
(REF) 1

DVD PLAYER W/HDMI OUT
186774-01-000
BRACKET-DVD PLAYER
184814-03-CHT
SCREW
000G67-10-12U (6)
FASTENER-DUAL LOCK
085774-01-000 (130 MM)
085774-02-000 (130 MM)

TV-32" HDTV
000031285 / 316939-01-000
SCREW
OMG02U-04-012 (4)
WASHER
OME02U-04-071 (4)
TAPE-FOAM,DBL
076322-22-000 (50 MM)
076322-22-000 (80 MM)
TAPE-FOAM,DBL
076322-23-000 (150 MM) 4



VIEW AB
(TV NOT SHOWN)



VIEW AA

- NOTES:
- 4 PREP BOTH SURFACES WITH ADHESIVE-PROMOTER 087211-01-000.
 - 3 ATTACH FASTENER-DUAL LOCK TO DVD PLAYER POSITIONED AS SHOWN.
 - 2 SEE WIRING INSTL-BODY,110V FOR ADDITIONAL INFORMATION.
 - 1 SEE WIRING INSTL-BODY,12V FOR ADDITIONAL INFORMATION.

FOR ELECTRICAL
TORQUE
SPECIFICATIONS
SEE DWG NO.
128783-01-000

FOR
ELECTRICAL
CALLOUTS
SEE DWG NO.
121339-01-000

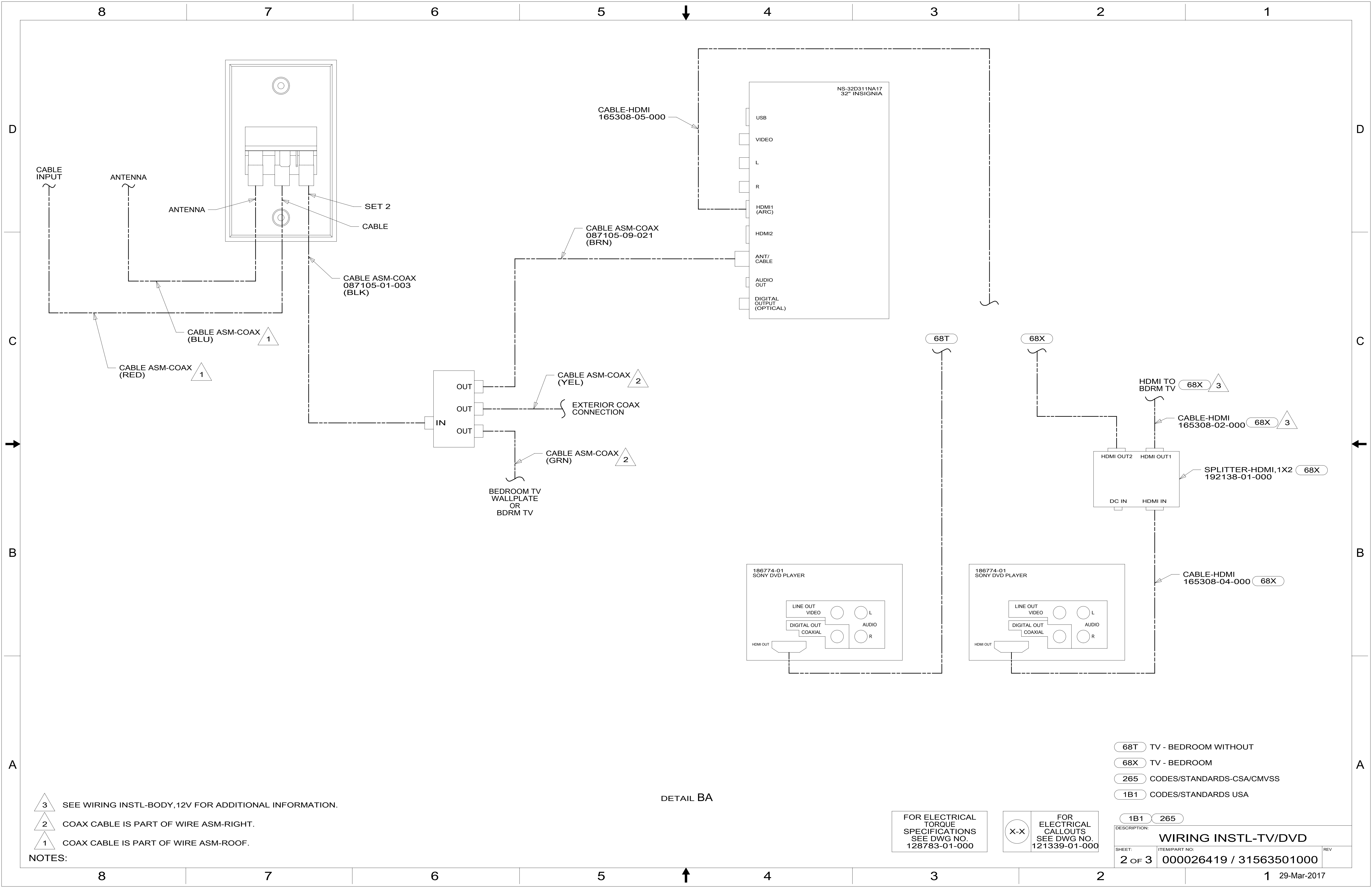
- 68R TV - FRONT
- 265 CODES/STANDARDS-CSA/CMVSS
- 1B1 CODES/STANDARDS USA

1B1 265 68R



DSNR:		ALL DIMENSIONS ARE IN MILLIMETERS	
DFFR:		MATERIAL:	
UNSPECIFIED TOLERANCES:		WEIGHT: (LBS)	FIRST USED:
WHOLE DIM (X)	: 3		17 322R
ONE-PLACE (X.X)	: 1.5		
TWO-PLACE (X.XX)	: 0.50		
ANGLE	: 1°		
REFER TO ES0018 FOR FASTENER TIGHTENING GUIDELINES			
DESCRIPTION: WIRING INSTL-TV/DVD			
SHEET:	ITEM/PART NO.:	REV:	
1 OF 3	000026419 / 31563501000		

8 7 6 5 4 3 2 1



NOTES:

- 3 SEE WIRING INSTL-BODY, 12V FOR ADDITIONAL INFORMATION.
- 2 COAX CABLE IS PART OF WIRE ASM-RIGHT.
- 1 COAX CABLE IS PART OF WIRE ASM-ROOF.

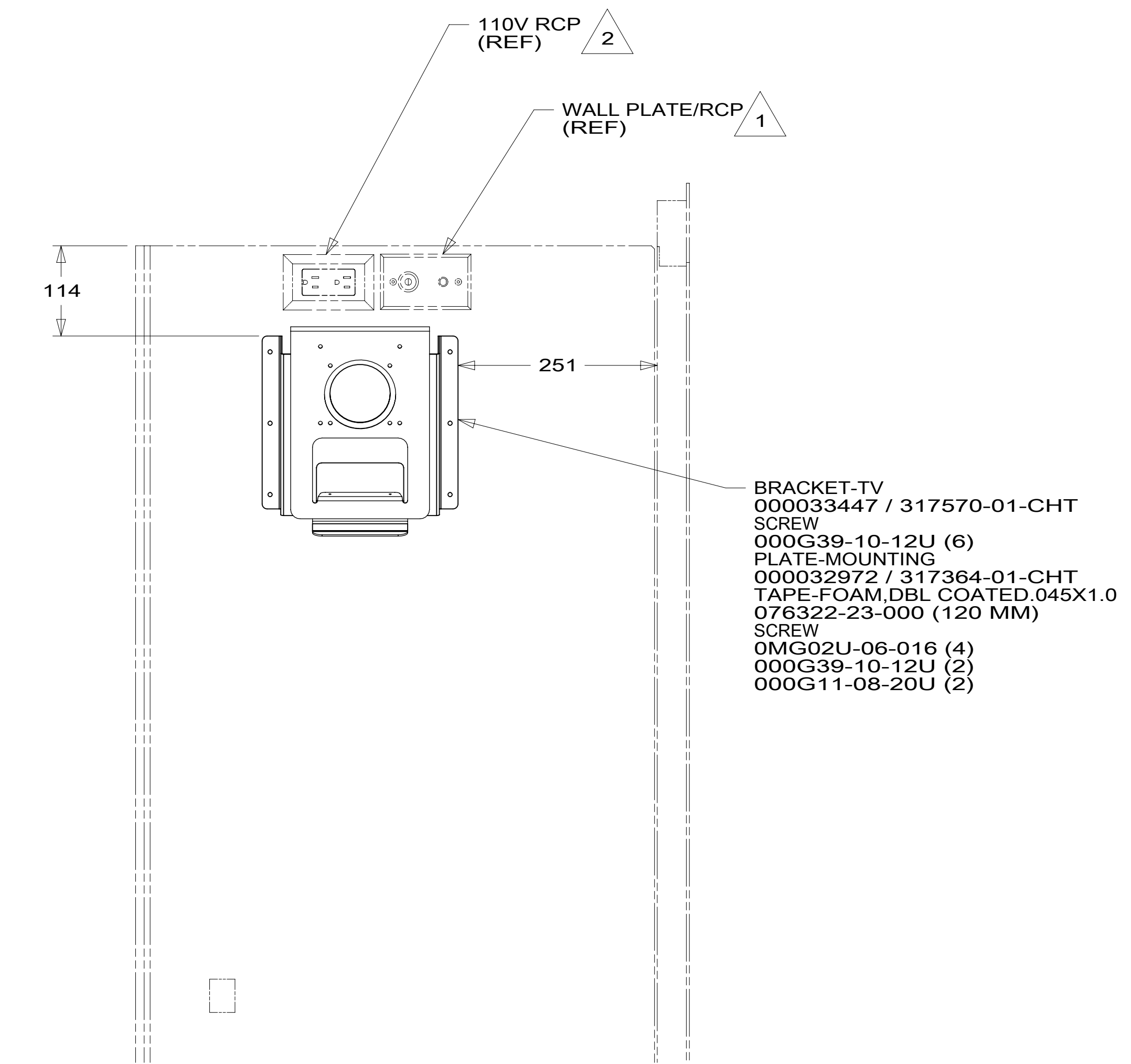
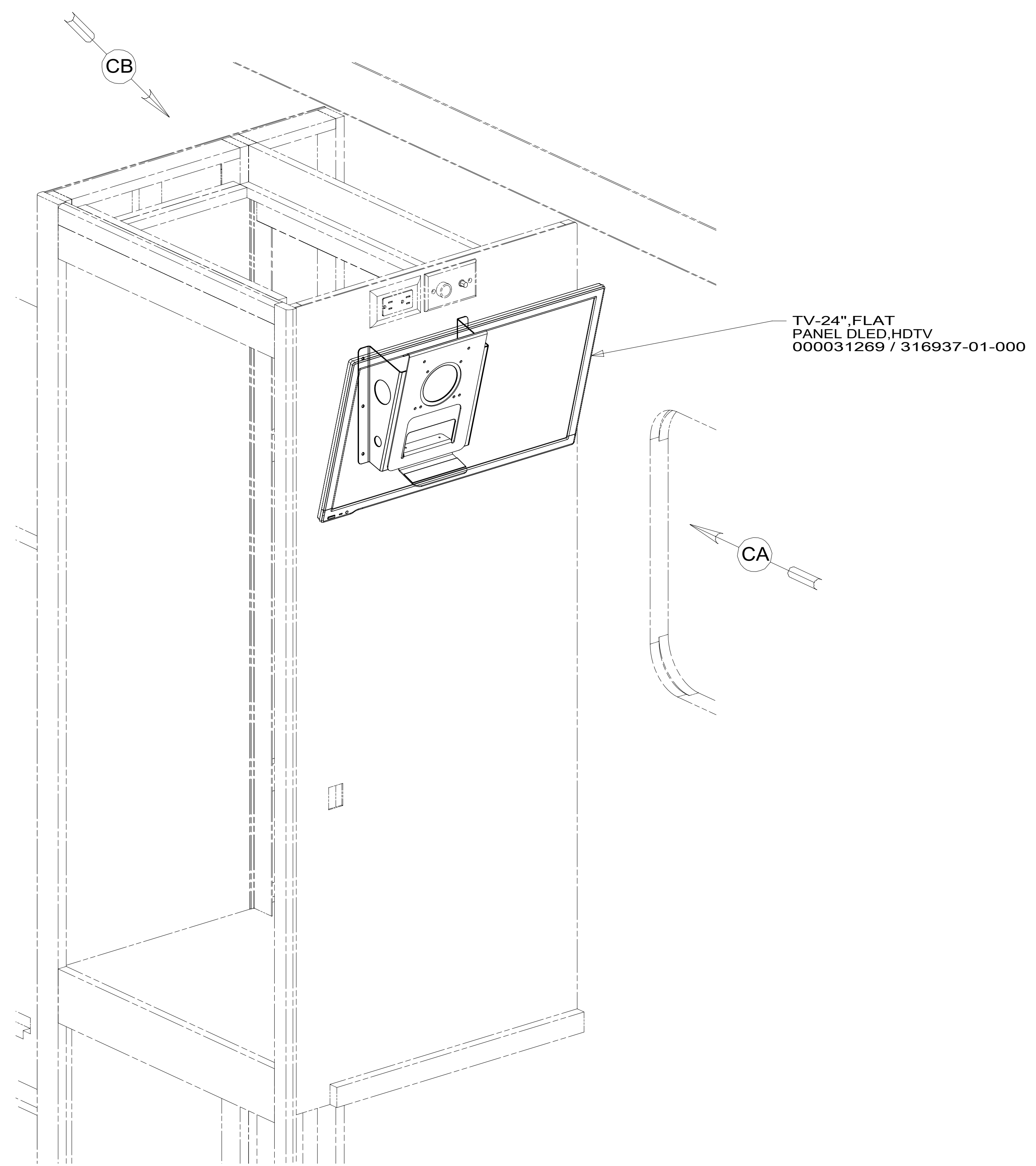
DETAIL BA

FOR ELECTRICAL TORQUE SPECIFICATIONS SEE DWG NO. 128783-01-000

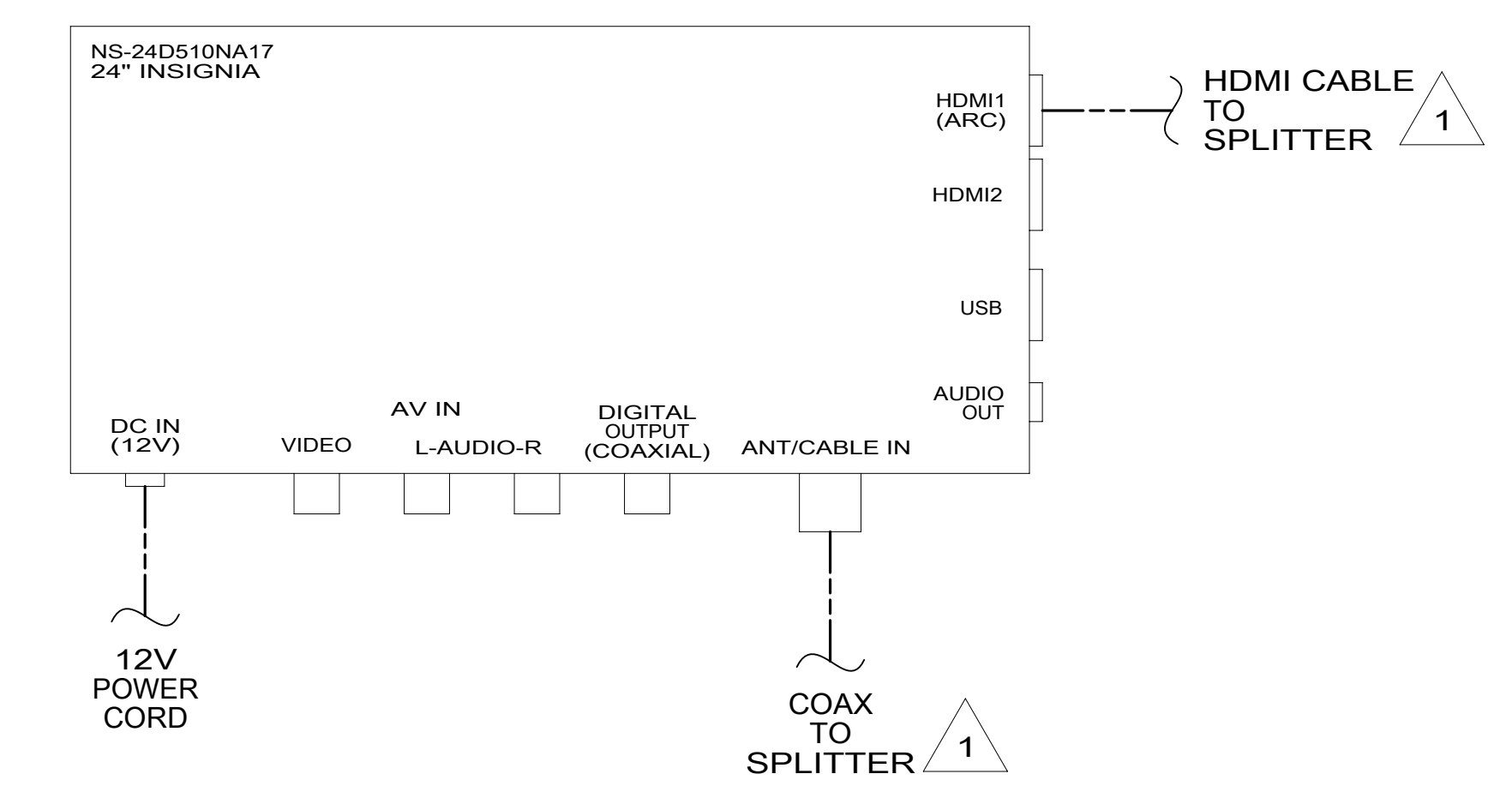
FOR ELECTRICAL CALLOUTS SEE DWG NO. 121339-01-000

- 68T TV - BEDROOM WITHOUT
- 68X TV - BEDROOM
- 265 CODES/STANDARDS-CSA/CMVSS
- 1B1 CODES/STANDARDS USA

DESCRIPTION:		1B1 265	
WIRING INSTL-TV/DVD			
SHEET:	ITEM/PART NO.:	REV:	
2 OF 3	000026419 / 31563501000		



VIEW CA
(TV NOT SHOWN)



VIEW CB

FOR ELECTRICAL TORQUE SPECIFICATIONS SEE DWG NO. 128783-01-000

FOR ELECTRICAL CALLOUTS SEE DWG NO. 121339-01-000

- 68X TV - BEDROOM
- 265 CODES/STANDARDS-CSA/CMVSS
- 1B1 CODES/STANDARDS USA

DESCRIPTION: WIRING INSTL-TV/DVD		
SHEET: 3 OF 3	ITEM/PART NO: 000026419 / 31563501000	REV

- NOTES:
- 2 SEE WIRING INSTL-BODY, 110V FOR ADDITIONAL INFORMATION.
 - 1 SEE WIRING INSTL-BODY, 12V FOR ADDITIONAL INFORMATION.