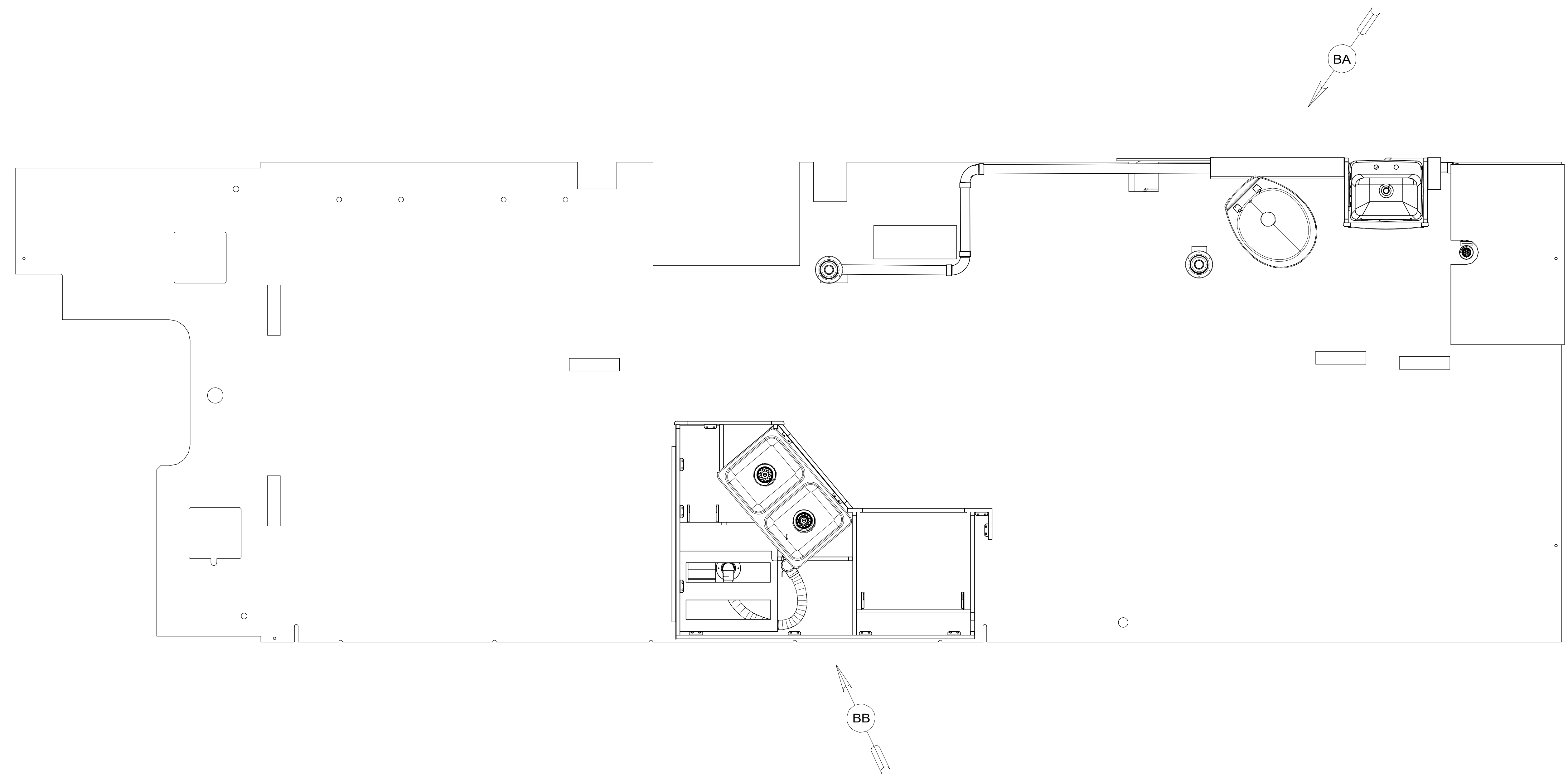


| REV | ZONE | REVISION RECORD | DATE | DFTR-ORIG |
|-----|------|-----------------|---------|-----------|
| P | SHT3 | C-5 WAS C-2 | 11-3-17 | 8378-9080 |



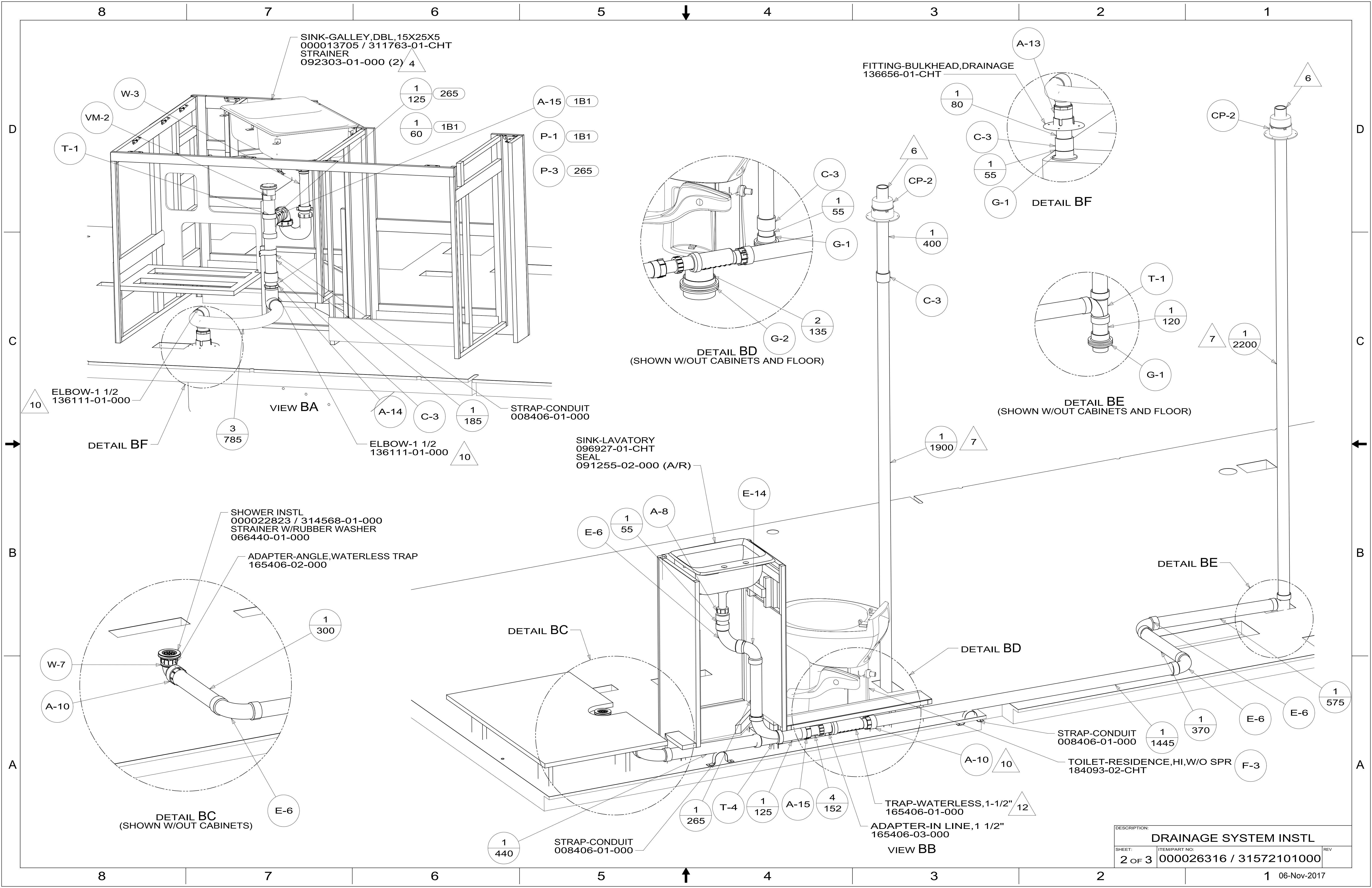
- NOTES:
- 12 REMOVE SWIVEL NUT ON TRAP-WATERLESS 165406-01-000, AND CONNECT A-10.
 - 11 SEE WIRING INSTL-BODY FOR ELECTRICAL CONNECTION.
 - 10 APPLY PRIMER 126427-02-000 AND CEMENT 126427-01-000 BETWEEN ELBOW AND FLEX PIPE.
 9. SEE DRAWING 061607 FOR INSTALLATION OF GROMMETS.
 8. SECURE DRAINAGE PIPES TO CABINET USING WIRE TIE 108046-02-000, AND SCREW 000G67-10-12U AT INTERVALS OF NOT OF NOT MORE THAN 4 FEET APART.
 - 7 SECURE VENT PIPE TO FLOOR WITH CLAMP 062401-02-000 (2),SCREW 000G67-10-12U (2), BRACKET 136878-01-CHT (2).
 - 6 VENT PIPE MUST PROJECT 51 MIN AND 64 MAX ABOVE ROOF FOR PROPER FIT AND FUNCTION. ADD S-1 (116666-01-CHT SEAL-VENT PIPE) AROUND PIPE ON ROOF BEFORE VENT CAP IS INSTALLED.
 5. SEAL AROUND SHOWER WITH SILICONE.
 - 4 USE SMOOTH PLUMBERS PUTTY 167459-01-000 TO SEAL STRAINER (0.2 PER STRAINER).
 3. ALL PIPE AND FITTINGS TO BE ASSEMBLED WITH SOLVENT 004020-01-000 (USA), 004020-02-000 (CAN)
 2. SLOPE OF TRAP ARM MUST BE 6 PER 305 mm.
 1. SLOPE OF HORIZONTAL PIPING TO BE MINIMUM OF 3 PER 305 mm.

X-X

FOR
DRAINAGE
CALLOUTS
SEE DWG NO.
000211962 /
303370-01-000

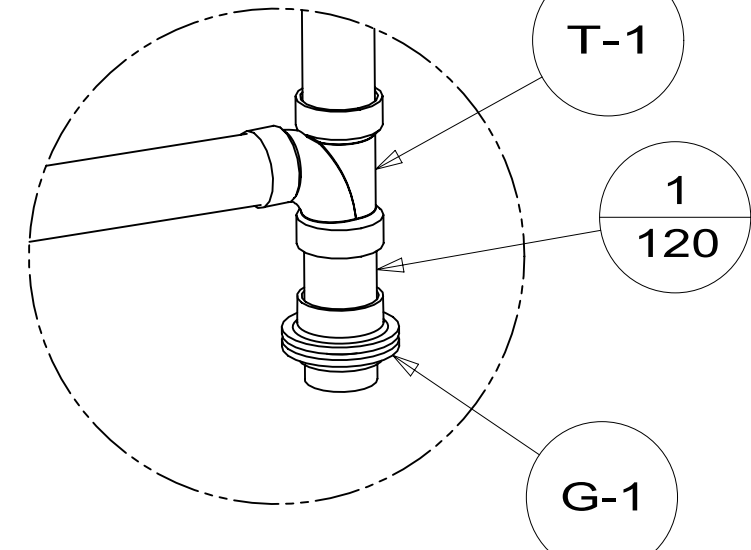
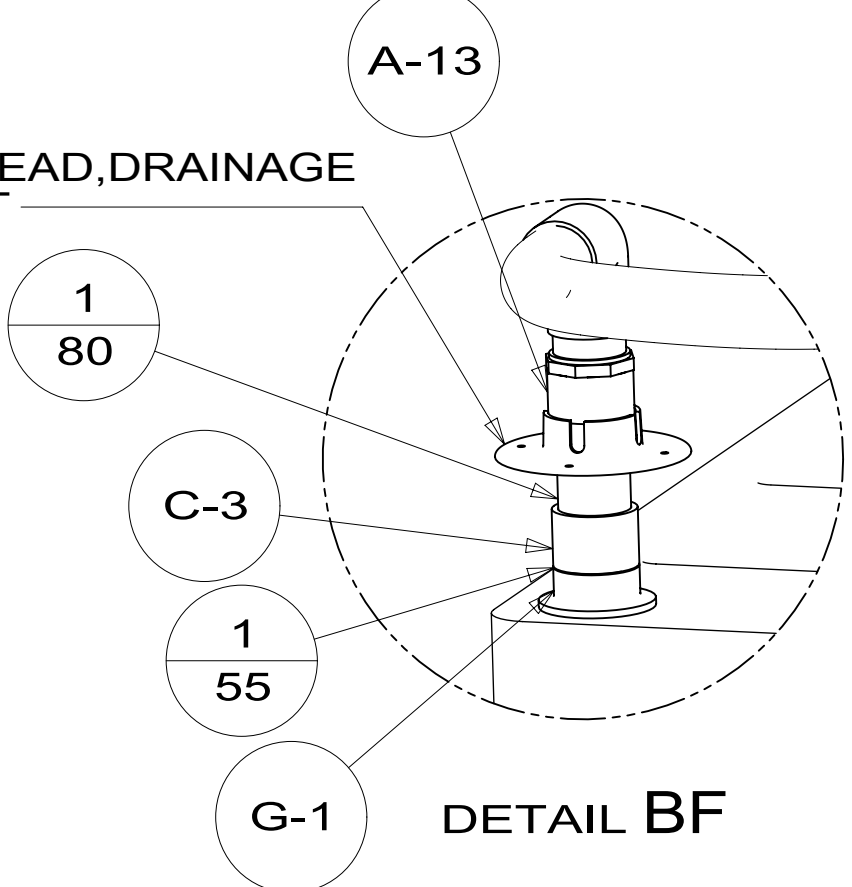
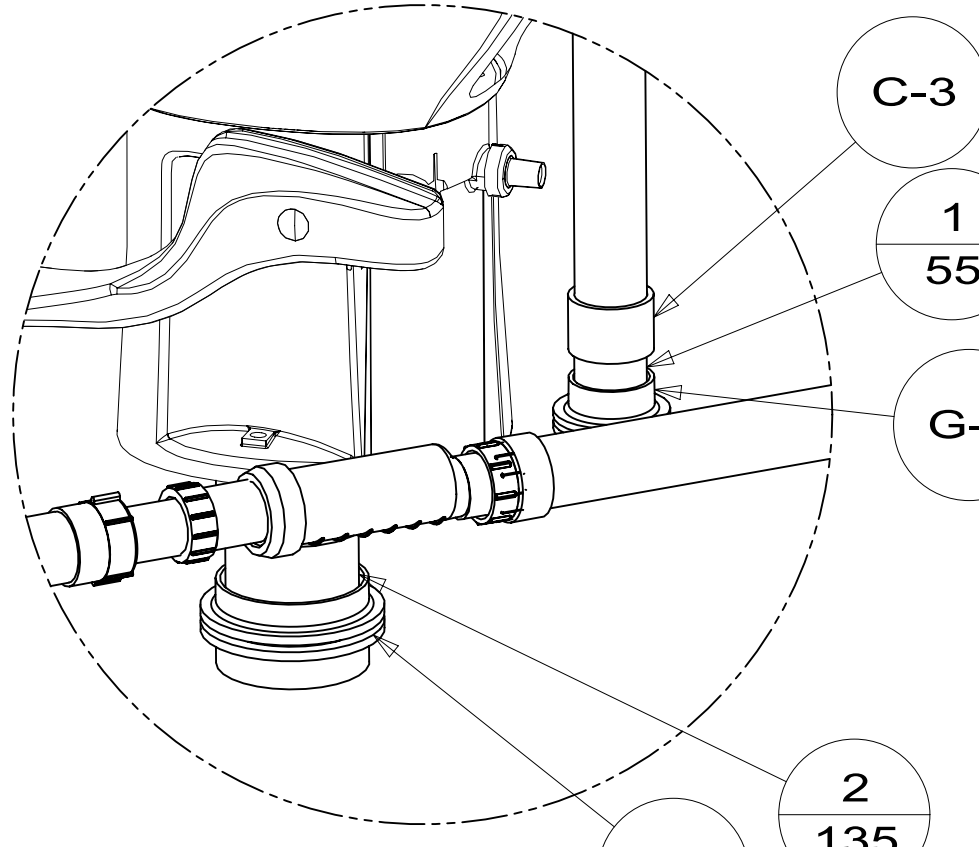
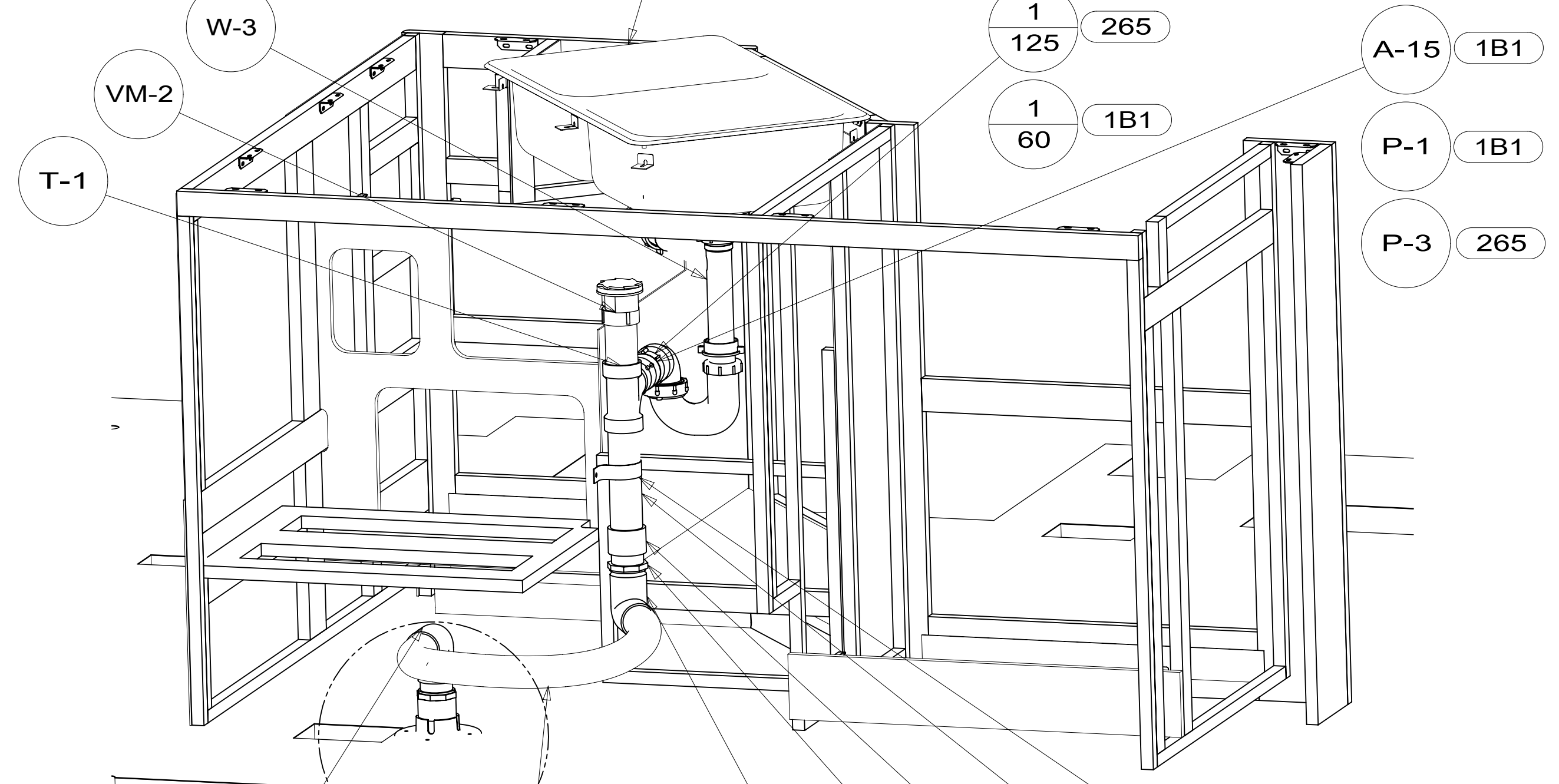
WINNEBAGO
COPYRIGHT 2017 WINNEBAGO INDUSTRIES, INC.

| | | |
|--|---------------------------------------|-------------------|
| DSNR: | ALL DIMENSIONS ARE IN MILLIMETERS | |
| DFTR: | MATERIAL: | |
| UNSPECIFIED TOLERANCES: | WHOLE DIM (X) : 3 | |
| | ONE-PLACE (X.X) : 1.5 | |
| | TWO-PLACE (X.XX) : 0.50 | |
| | ANGLE : 1° | |
| REFER TO ES0018 FOR FASTENER TIGHTENING GUIDELINES | WEIGHT: (LBS) | FIRST USED: (REF) |
| | | 17 E27PE |
| DRAINAGE SYSTEM INSTL | | |
| SHEET: 1 OF 3 | ITEM/PART NO: 000026316 / 31572101000 | REV: |
| REF: | | 1 06-Nov-2017 |



SINK-GALLEY, DBL, 15X25X5
 000013705 / 311763-01-CHT
 STRAINER
 092303-01-000 (2) 4

FITTING-BULKHEAD, DRAINAGE
 136656-01-CHT



ELBOW-1 1/2
 136111-01-000

VIEW BA

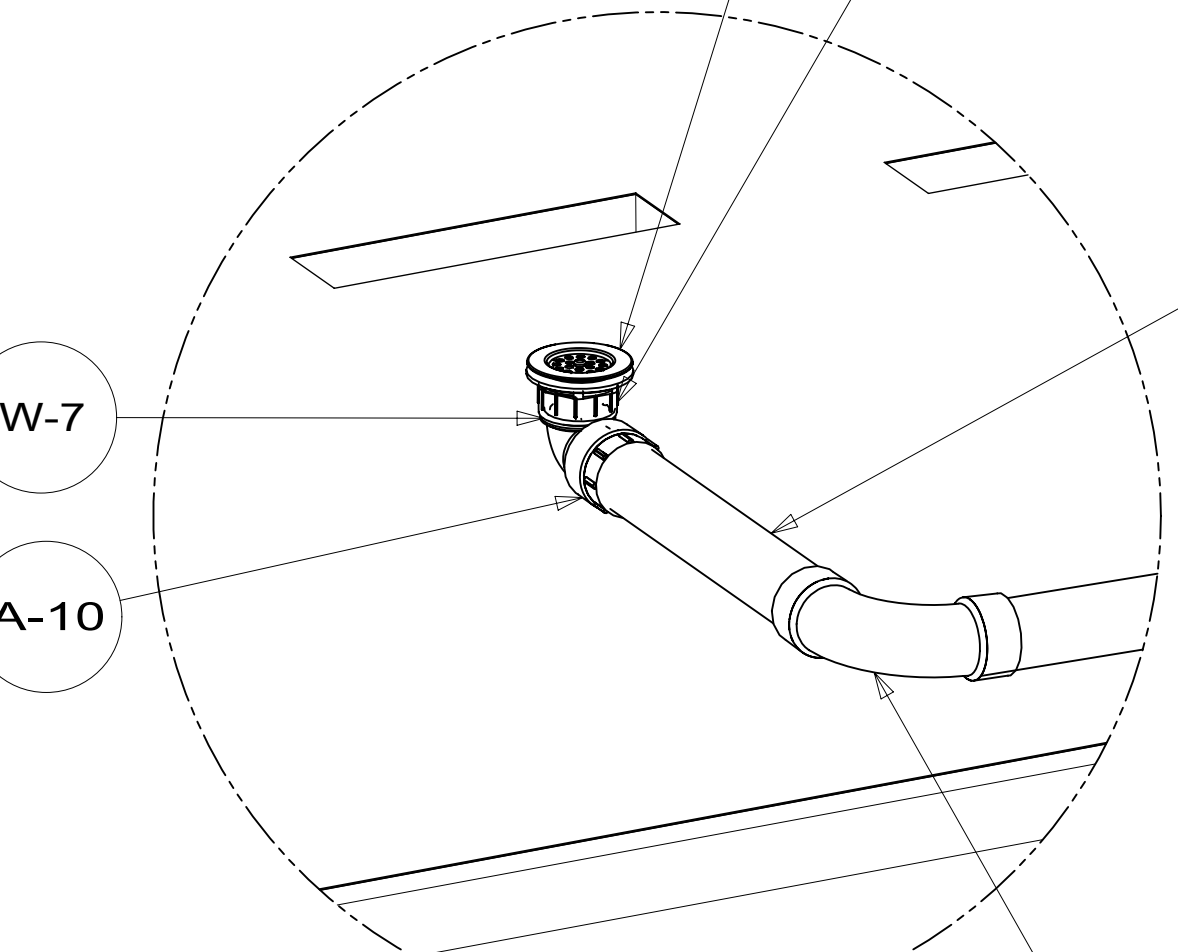
STRAP-CONDUIT
 008406-01-000

ELBOW-1 1/2
 136111-01-000

SINK-LAVATORY
 096927-01-CHT
 SEAL
 091255-02-000 (A/R)

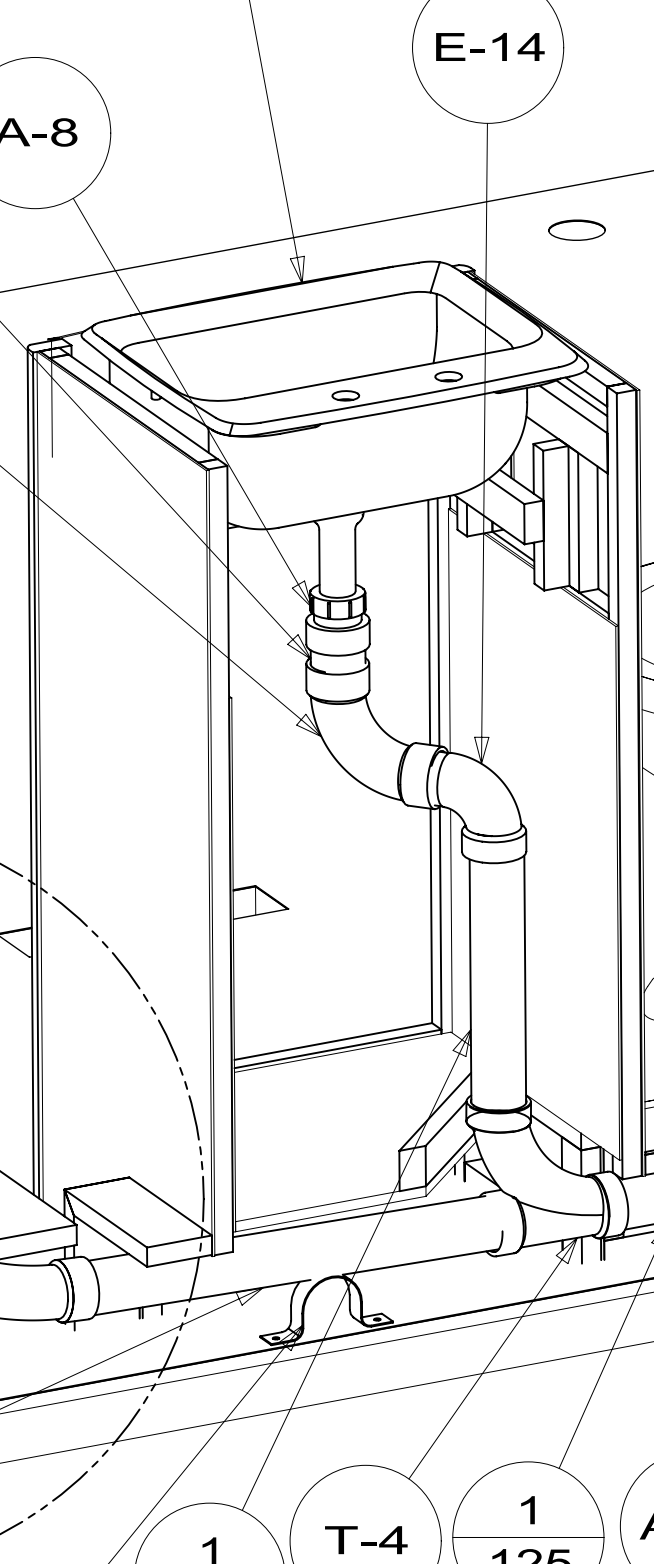
SHOWER INSTL
 000022823 / 314568-01-000
 STRAINER W/RUBBER WASHER
 066440-01-000

ADAPTER-ANGLE, WATERLESS TRAP
 165406-02-000



DETAIL BC

STRAP-CONDUIT
 008406-01-000



TRAP-WATERLESS, 1-1/2"
 165406-01-000

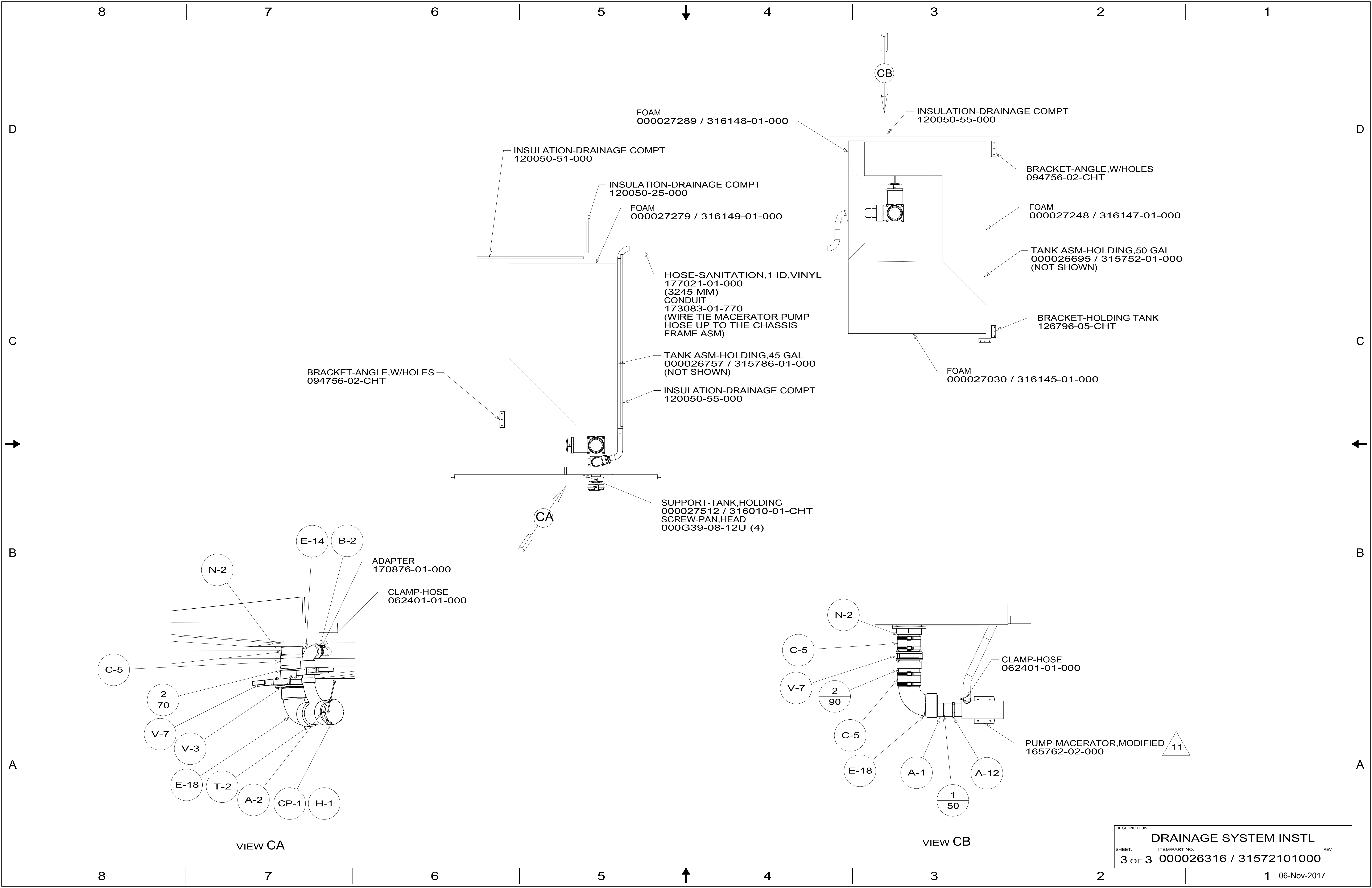
ADAPTER-IN LINE, 1 1/2"
 165406-03-000

VIEW BB

STRAP-CONDUIT
 008406-01-000

TOILET-RESIDENCE, HI, W/O SPR
 184093-02-CHT

| | | |
|--|--|-----|
| DESCRIPTION: DRAINAGE SYSTEM INSTL | | |
| SHEET: 2 OF 3 | ITEM/PART NO: 000026316 / 31572101000 | REV |



BRACKET-ANGLE, W/HOLES
094756-02-CHT

FOAM
000027289 / 316148-01-000

INSULATION-DRAINAGE COMPT
120050-55-000

INSULATION-DRAINAGE COMPT
120050-51-000

INSULATION-DRAINAGE COMPT
120050-25-000

FOAM
000027279 / 316149-01-000

BRACKET-ANGLE, W/HOLES
094756-02-CHT

FOAM
000027248 / 316147-01-000

TANK ASM-HOLDING, 50 GAL
000026695 / 315752-01-000
(NOT SHOWN)

BRACKET-HOLDING TANK
126796-05-CHT

HOSE-SANITATION, 1 ID, VINYL
177021-01-000
(3245 MM)
CONDUIT
173083-01-770
(WIRE TIE MACERATOR PUMP
HOSE UP TO THE CHASSIS
FRAME ASM)

TANK ASM-HOLDING, 45 GAL
000026757 / 315786-01-000
(NOT SHOWN)

INSULATION-DRAINAGE COMPT
120050-55-000

FOAM
000027030 / 316145-01-000

SUPPORT-TANK, HOLDING
000027512 / 316010-01-CHT
SCREW-PAN, HEAD
000G39-08-12U (4)

ADAPTER
170876-01-000

CLAMP-HOSE
062401-01-000

CLAMP-HOSE
062401-01-000

PUMP-MACERATOR, MODIFIED
165762-02-000

11

VIEW CA

VIEW CB

| | | |
|--|--|-----|
| DESCRIPTION: DRAINAGE SYSTEM INSTL | | |
| SHEET: 3 OF 3 | ITEM/PART NO: 000026316 / 31572101000 | REV |