

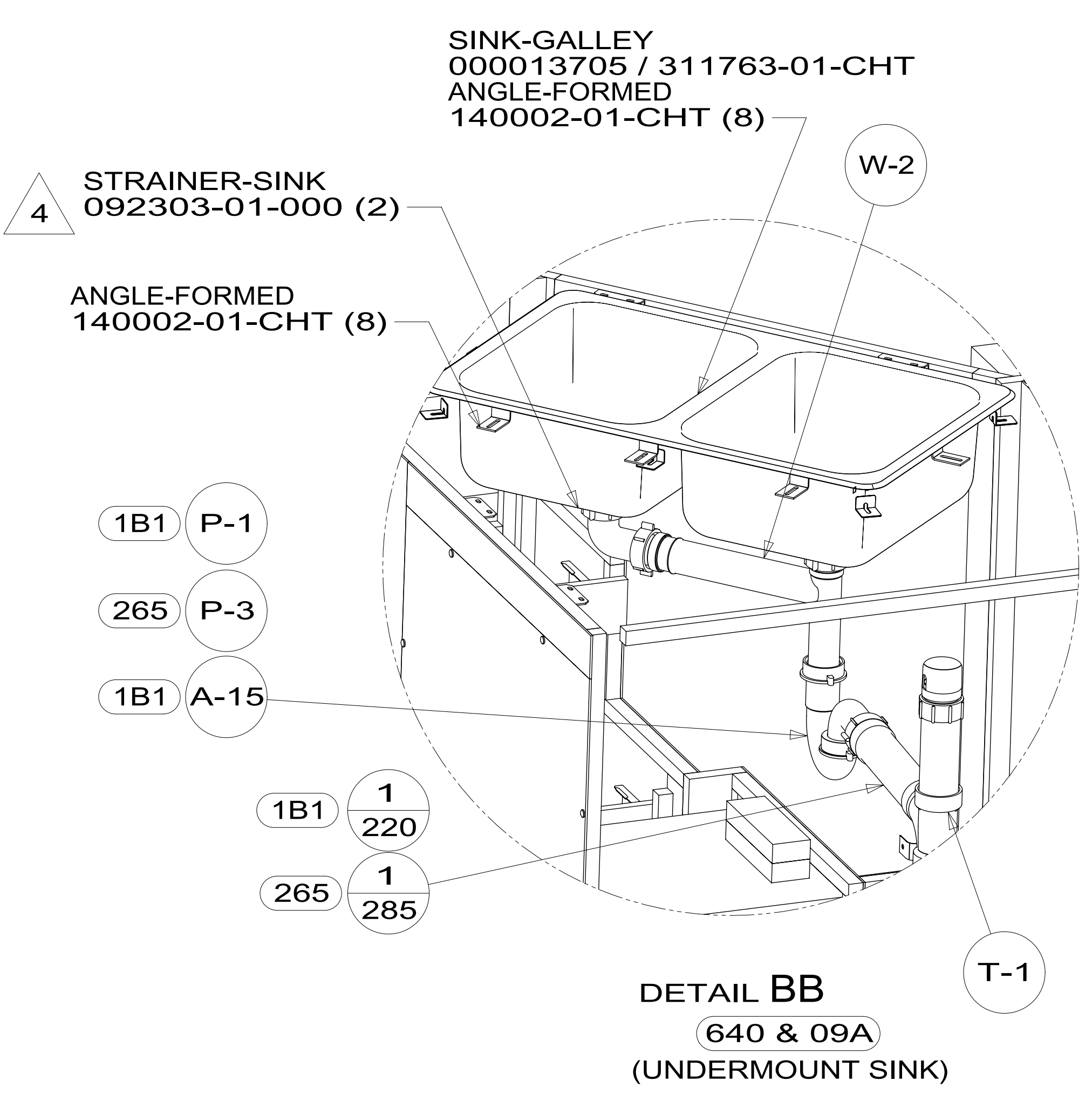
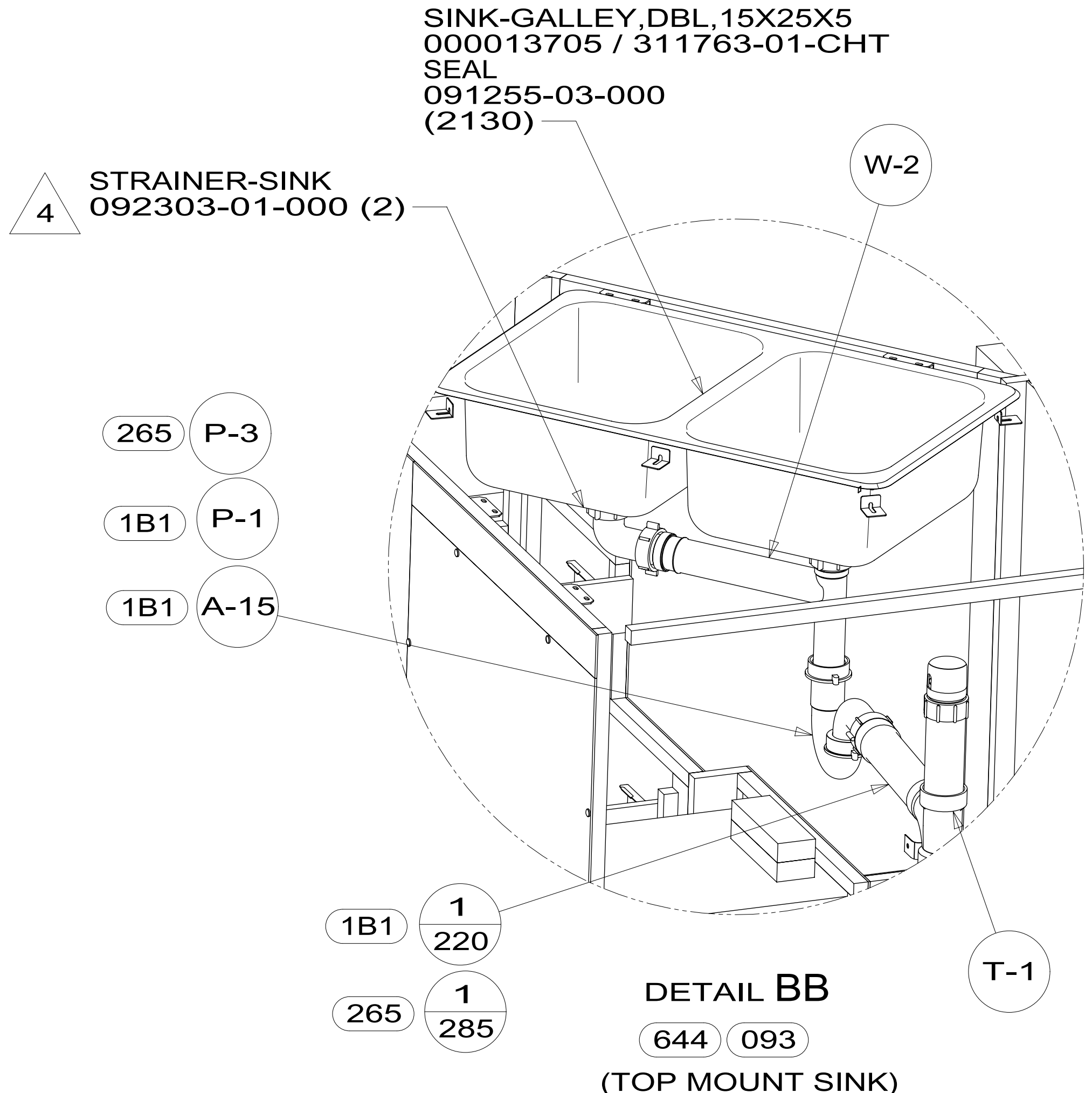
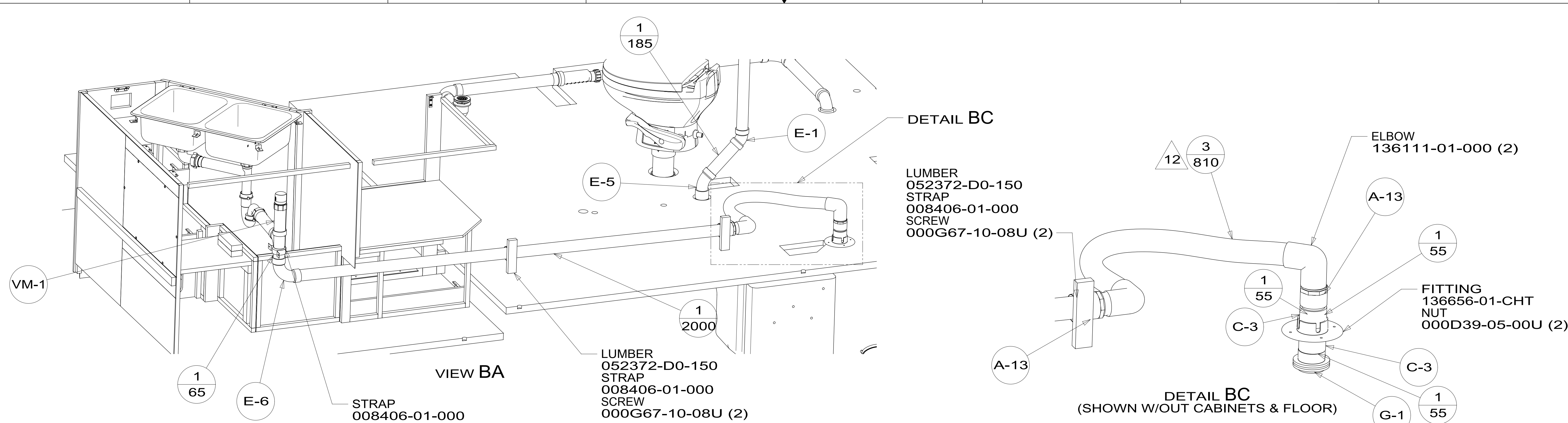
- 12. APPLY PRIMER 126427-02-000 AND CEMENT 126427-01-000 BETWEEN ELBOW AND FLEX PIPE.
- 11. PREP THE SURFACE PER MANUFACTURERS INSTRUCTIONS BEFORE APPLYING THE HEATING PAD.
- 10. SEE WIRING INSTL-BODY FOR ELECTRICAL CONNECTION.
- 9. SEE DRAWING 061607 FOR INSTALLATION OF GROMMETS.
- 8. SECURE DRAINAGE PIPES TO CABINET USING WIRE TIE 108046-02-000, AND SCREW 000G67-10-12U AT INTERVALS OF NOT OF NOT MORE THAN 4 FEET APART.
- 7. SECURE VENT PIPE TO FLOOR WITH CLAMP 062401-02-000 (2), SCREW 000G67-10-12U (2), BRACKET 136878-01-CHT (2).
- 6. VENT PIPE MUST PROJECT 51 MIN AND 64 MAX ABOVE ROOF FOR PROPER FIT AND FUNCTION. ADD S-1 (116666-01-CHT SEAL-VENT PIPE) AROUND PIPE ON ROOF BEFORE VENT CAP IS INSTALLED.
- 5. SEAL AROUND SHOWER WITH SILICONE.
- 4. USE SMOOTH PLUMBERS PUTTY 167459-01-000 TO SEAL STRAINER (0.2 PER STRAINER).
- 3. ALL PIPE AND FITTINGS TO BE ASSEMBLED WITH SOLVENT 004020-01-000 (USA), 004020-02-000 (CAN)
- 2. SLOPE OF TRAP ARM MUST BE 6 PER 305 mm.
- 1. SLOPE OF HORIZONTAL PIPING TO BE MINIMUM OF 3 PER 305 mm.

- 09A PREMIUM PACKAGE
- 093 PREMIUM PACKAGE WITHOUT
- 38E CONVENIENCE PACKAGE
- 644 GREAT ALASKAN RENTAL PACKAGE
- 640 RENTAL - GAH WITHOUT
- 265 CODES/STANDARDS-CSA/CMVSS
- 23T DRAINAGE SYSTEM-HEATED
- 1B1 CODES/STANDARDS USA

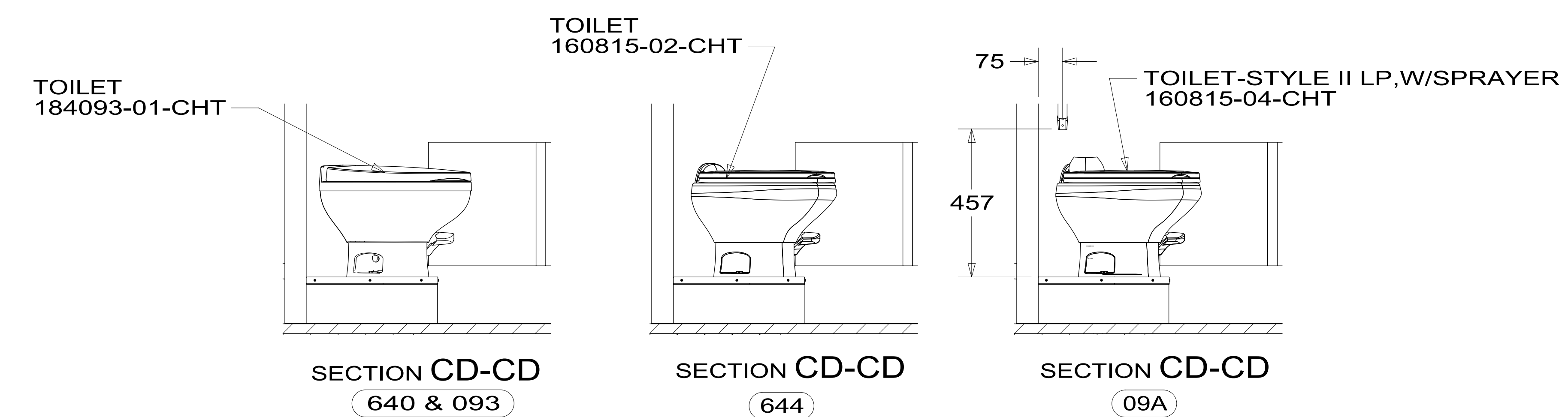
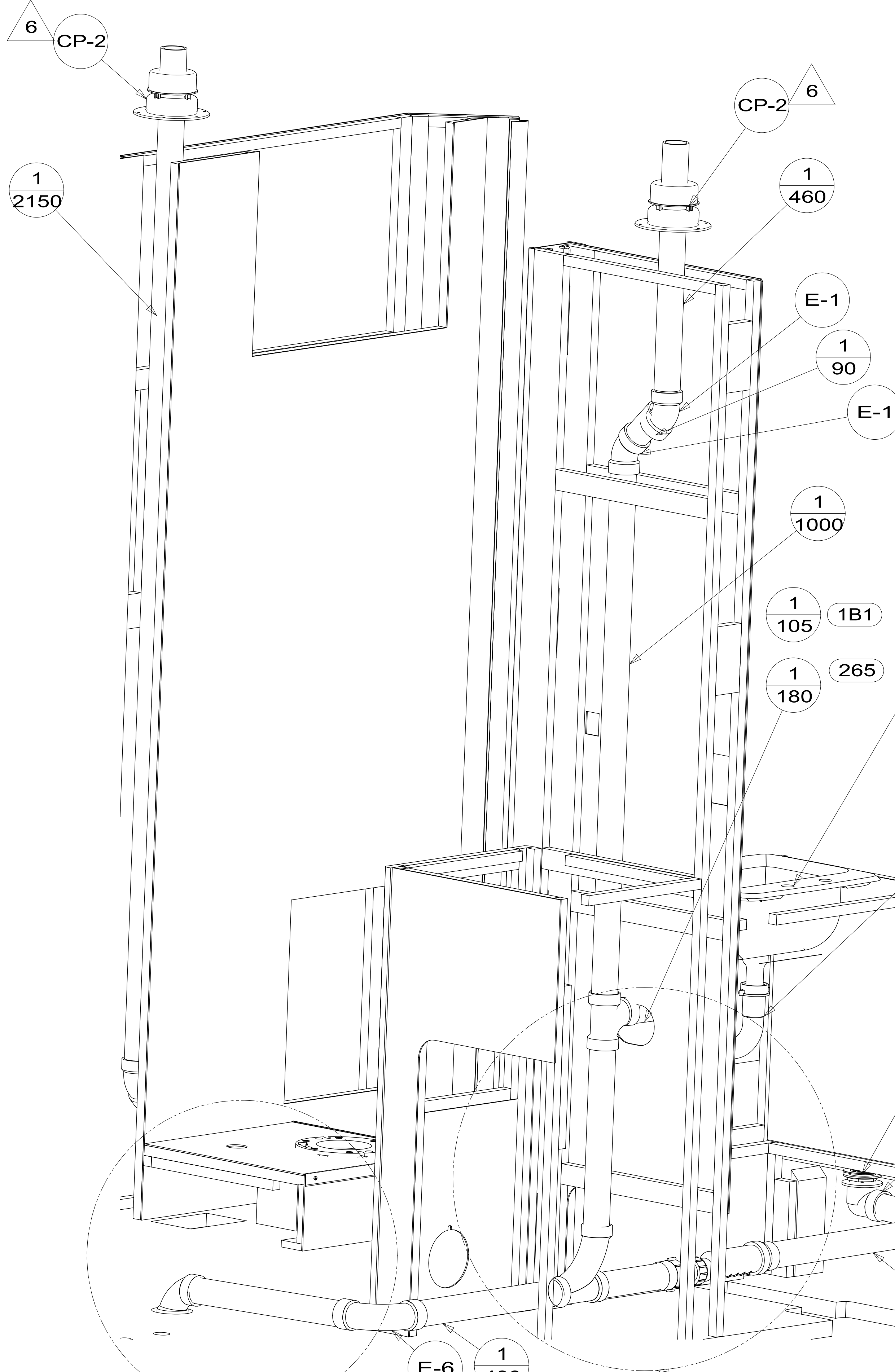
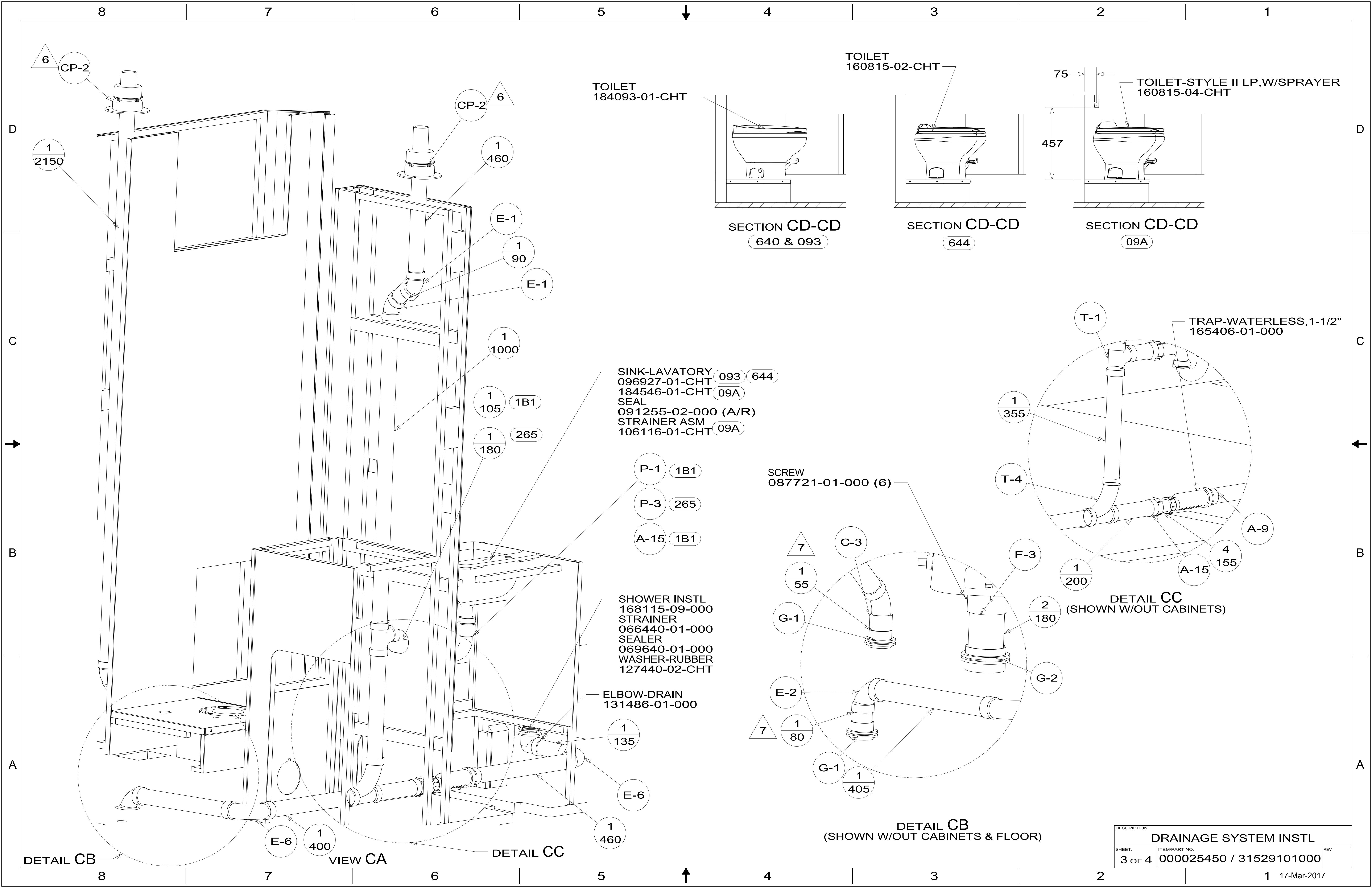


DSNR:		ALL DIMENSIONS ARE IN MILLIMETERS	
DIFFR:		MATERIAL:	
UNSPECIFIED TOLERANCES:			
WHOLE DIM (X)	3		
ONE-PLACE (X.X)	1.5		
TWO-PLACE (X.XX)	0.50		
ANGLE	1°		
REFER TO ES0018 FOR FASTENER TIGHTENING GUIDELINES		WEIGHT: (LBS)	FIRST USED: (REF)
			17 331G
DESCRIPTION:			
DRAINAGE SYSTEM INSTL			
SHEET:	ITEM/PART NO:	REV	
1 OF 4	000025450 / 31529101000		

FOR DRAINAGE CALLOUTS SEE DWG NO. 000211962 / 303370-01-000



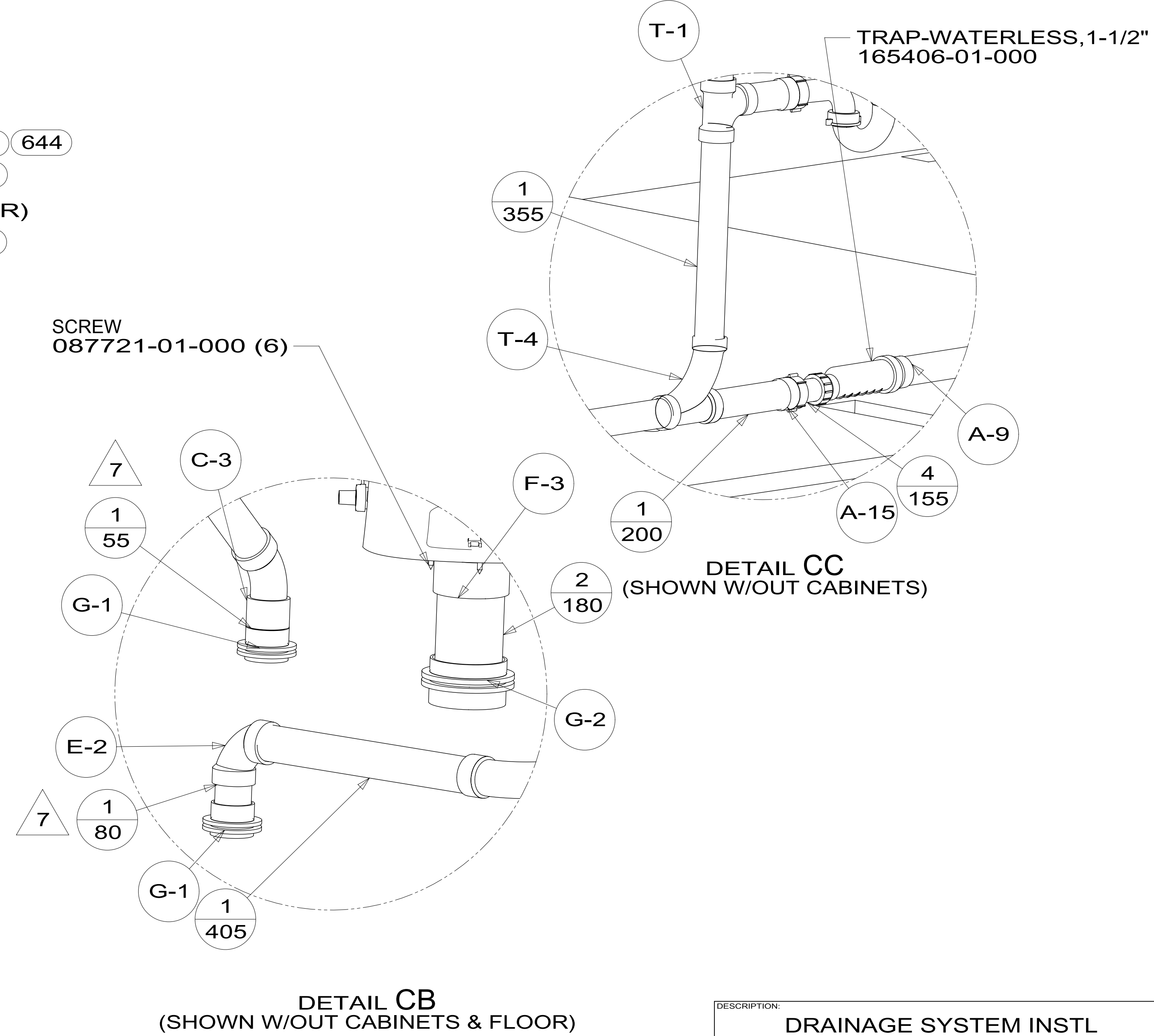
DESCRIPTION: DRAINAGE SYSTEM INSTL		
SHEET: 2 OF 4	ITEM/PART NO: 000025450 / 31529101000	REV
		17-Mar-2017



- SINK-LAVATORY 093 644
- 096927-01-CHT
- 184546-01-CHT 09A
- SEAL 091255-02-000 (A/R)
- STRAINER ASM 106116-01-CHT 09A
- P-1 1B1
- P-3 265
- A-15 1B1

- SHOWER INSTL 168115-09-000
- STRAINER 066440-01-000
- SEALER 069640-01-000
- WASHER-RUBBER 127440-02-CHT

- ELBOW-DRAIN 131486-01-000



DESCRIPTION:		
DRAINAGE SYSTEM INSTL		
SHEET:	ITEM/PART NO:	REV
3 OF 4	000025450 / 31529101000	

8 7 6 5 4 3 2 1

FRONT AXLE

VEHICLE

1222

1498

DATUM

640 & 38E TANK-HOLDING 193388-03-000
 640 & 38E-W/O 193388-02-000
 644 193388-04-000

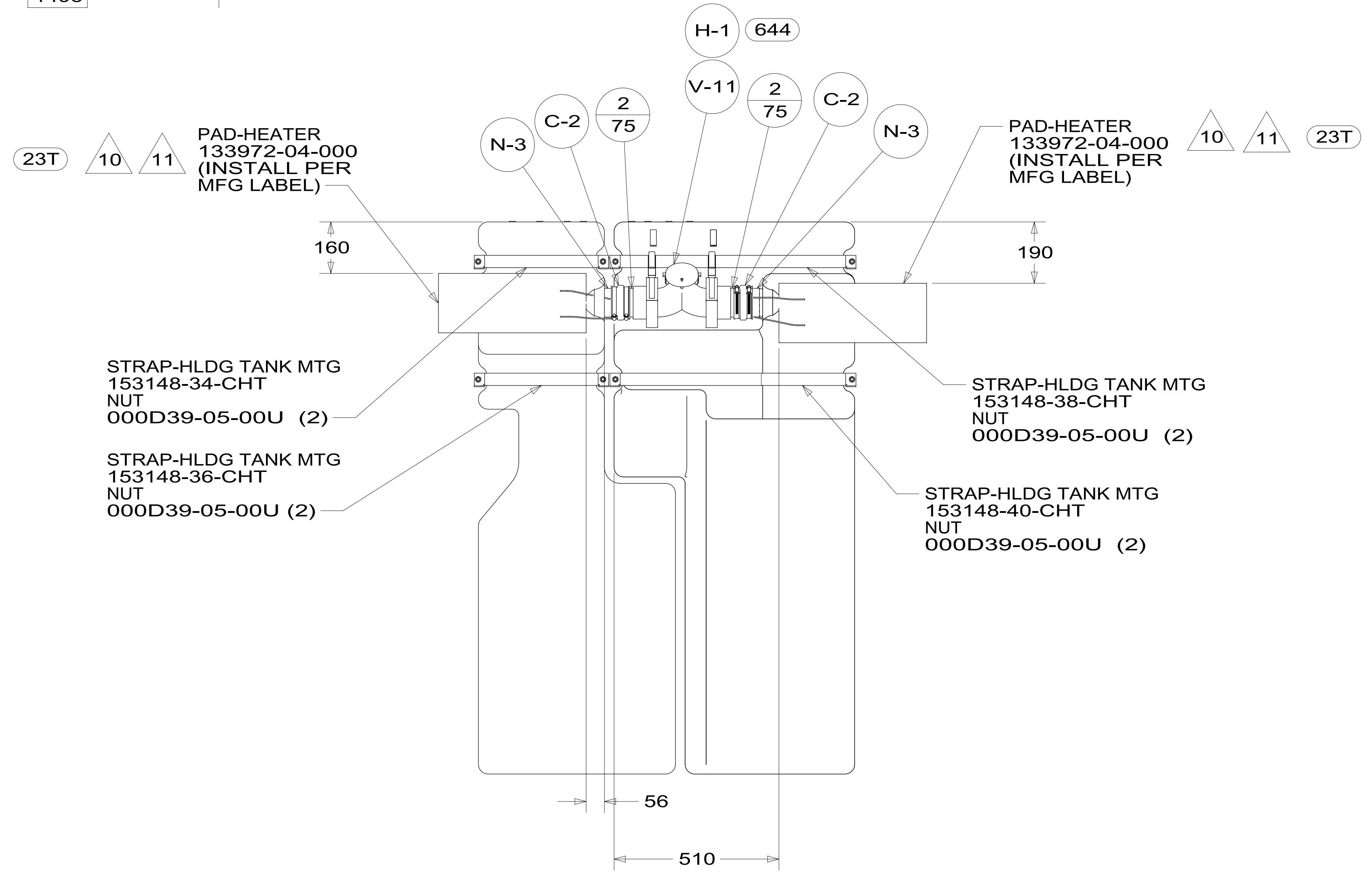
TANK-HOLDING 193389-02-000 640 & 38E-W/O
 193389-03-000 644 640 & 38E

5083

4663

34 (2)

TOP VIEW SHOWING ONLY DRAINS AND TANKS



BOTTOM VIEW SHOWING ONLY DRAINS AND TANKS

DESCRIPTION:		
DRAINAGE SYSTEM INSTL		
SHEET:	ITEM/PART NO:	REV
4 OF 4	000025450 / 31529101000	

8 7 6 5 4 3 2 1 17-Mar-2017