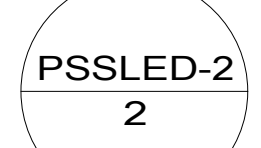


USB-CHARGER  
188312-01-000



TO WIRE ASM-ROOF  
TO RANGE HOOD



STOVE GROUND

SWITCH  
DETAIL CC



HARNESS-SLIDEOUT  
MOTOR  
191660-01-000

HARNESS-SLIDEOUT MOTOR  
191660-01-000

CONNECTS TO WATER HEATER  
DETAIL AA

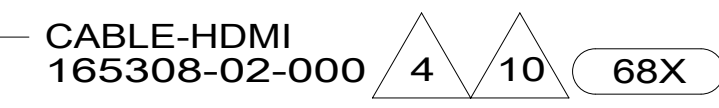


TO WIRE ASM-CHASSIS

PANEL-SERVICE  
132862-04-CHT  
PLATE-WALL  
149557-07-CHT

TO SIDEMARKER LAMP  
MM,MS

WIRE ASM-LEFT  
000014078 / 311852-01-000



TO HOLDING TANKS

- WIRE ASM-TANK HEATER 194338-01-000
- WIRE ASM-HEATER RELAY 153891-01-000
- WIRE ASM-AUX TANK 194333-01-000
- 151316-07-000
- WIRE ASM-MAIN TANK 194334-01-000
- 151317-07-000

23T OR 23R

640 7

644 38E 5

640 7

644 38E 6

- 4 SEE WIRING INSTL-TV/DVD FOR ADDITIONAL INFORMATION.
- 3 LOCATED IN POWER CORD COMPARTMENT BELOW FLOOR.
- 2 SWITCH ON LAMP TO BE ORIENTED TO REAR OF CABINET.

9 SEE WIRING INSTL-CHASSIS FOR ADDITIONAL INFORMATION.

8 RCA CABLES ARE PART OF WIRE ASM-COMPONENT CABLES FROM CHASSIS AND ARE ROUTED WITH WIRE ASM-LEFT.

7 SEE DETAIL AB FOR ADDITIONAL INFORMATION.

6 MARK WIRES WITH WRAP OF BLU TAPE.

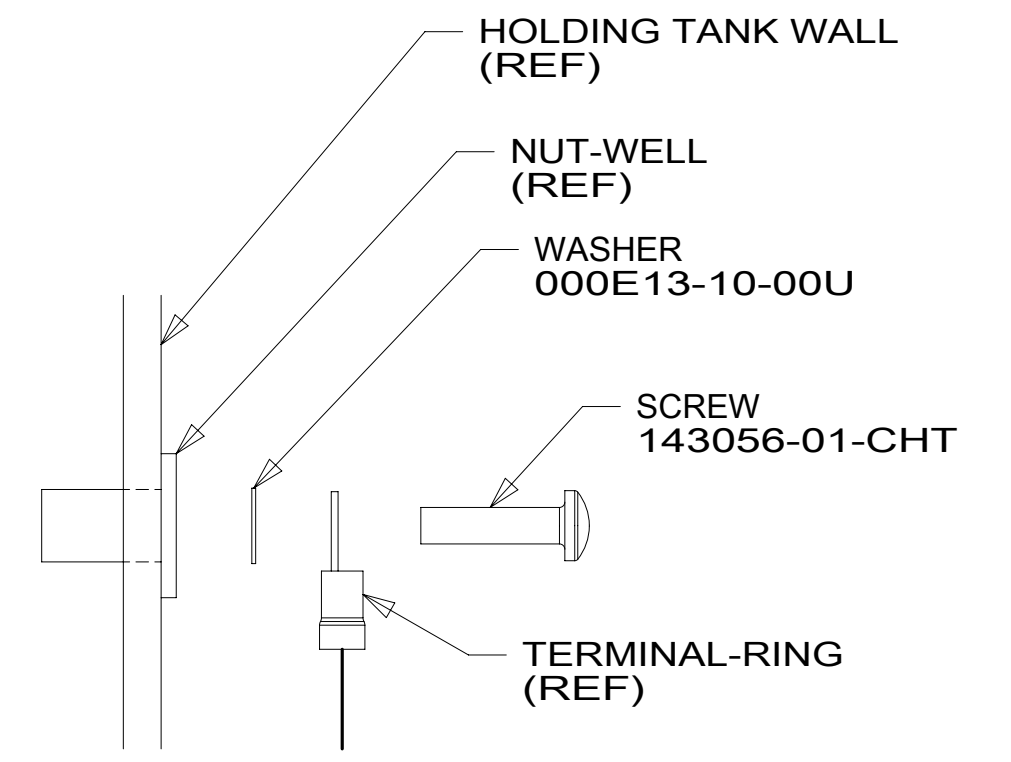
5 MARK WIRES WITH WRAP OF ORG TAPE.

11 TYPICAL WIRE ATTACHMENT AT ALL LEVEL PROBES (4 EACH) FOR WATER, MAIN, AND AUX HOLDING TANKS.

10 HDMI CABLE TO BE ROUTED ALONG WITH WIRE ASM-LEFT FROM HDMI SPLITTER UNDER GALLEY CABT TO BEDROOM TV.

FOR ELECTRICAL TORQUE SPECIFICATIONS SEE DWG NO. 128783-01-000

FOR ELECTRICAL CALLOUTS SEE DWG NO. 121339-01-000



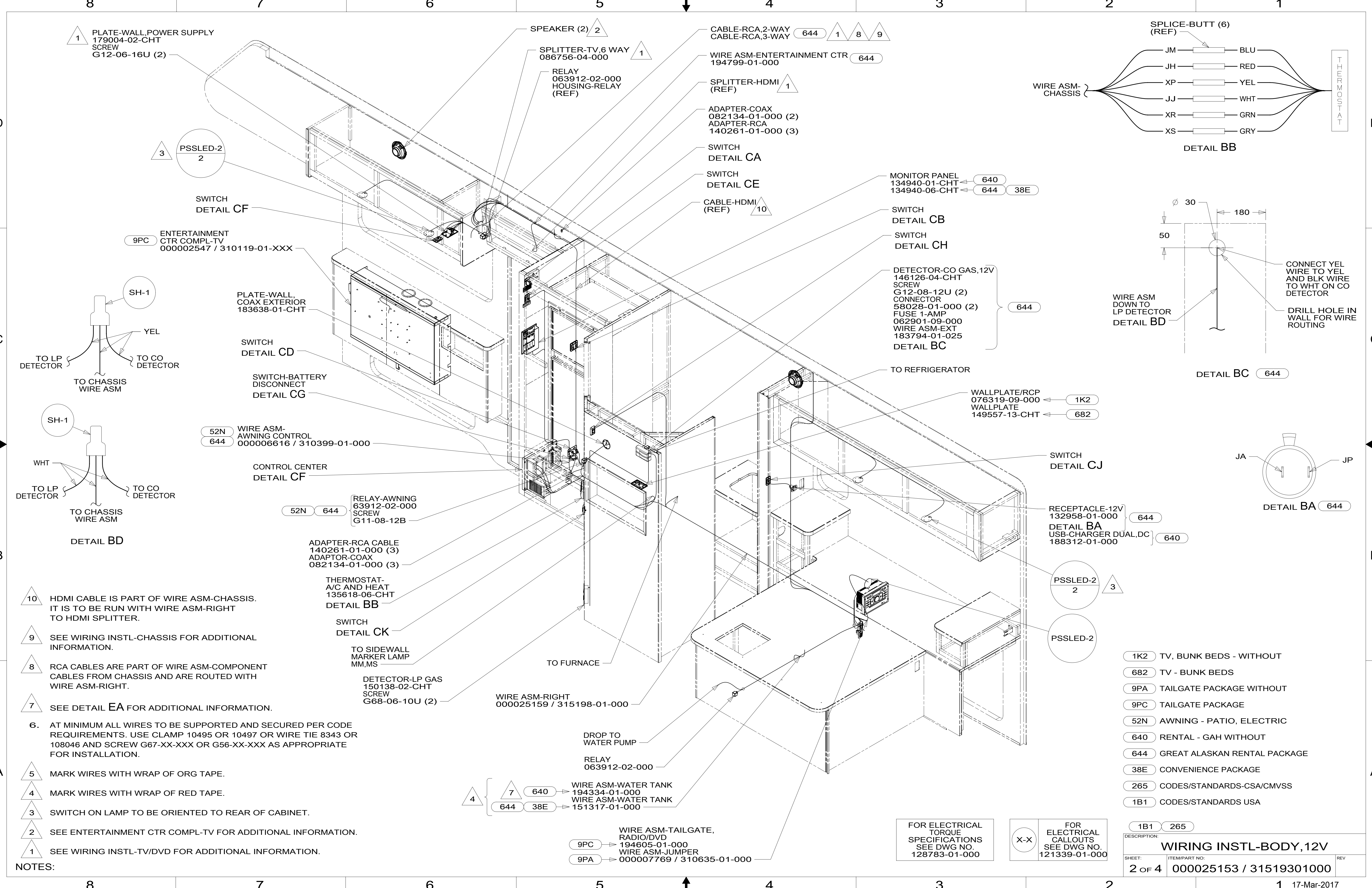
DETAIL AB 11

- 68X TV - BEDROOM
- 68T TV - BEDROOM WITHOUT
- 38E CONVENIENCE PACKAGE
- 640 RENTAL - GAH WITHOUT
- 23R DRAINAGE SYSTEM/HEAT-PREWIRE
- 23T DRAINAGE SYSTEM-HEATED
- 644 GREAT ALASKAN RENTAL PACKAGE
- 265 CODES/STANDARDS-CSA/CMVSS
- 1B1 CODES/STANDARDS USA

**WINNEBAGO**  
COPYRIGHT 2016 WINNEBAGO INDUSTRIES, INC.

DSNR:	ALL DIMENSIONS ARE IN MILLIMETERS
DFFR:	
UNSPECIFIED TOLERANCES:	MATERIAL:
WHOLE DIM (X) : 3	
ONE-PLACE (X.X) : 1.5	
TWO-PLACE (X.XX) : 0.50	
ANGLE : 1°	
REFER TO ES0018 FOR FASTENER TIGHTENING GUIDELINES	WEIGHT: (LBS) FIRST USED:
	17 331G
<b>DESCRIPTION:</b> WIRING INSTL-BODY, 12V	
SHEET: 1 OF 4	ITEM/PART NO: 000025153 / 31519301000
REF:	1 17-Mar-2017

NOTES:



- NOTES:**
- 10 HDMI CABLE IS PART OF WIRE ASM-CHASSIS. IT IS TO BE RUN WITH WIRE ASM-RIGHT TO HDMI SPLITTER.
  - 9 SEE WIRING INSTL-CHASSIS FOR ADDITIONAL INFORMATION.
  - 8 RCA CABLES ARE PART OF WIRE ASM-COMPONENT CABLES FROM CHASSIS AND ARE ROUTED WITH WIRE ASM-RIGHT.
  - 7 SEE DETAIL EA FOR ADDITIONAL INFORMATION.
  - 6. AT MINIMUM ALL WIRES TO BE SUPPORTED AND SECURED PER CODE REQUIREMENTS. USE CLAMP 10495 OR 10497 OR WIRE TIE 8343 OR 108046 AND SCREW G67-XX-XXX OR G56-XX-XXX AS APPROPRIATE FOR INSTALLATION.
  - 5 MARK WIRES WITH WRAP OF ORG TAPE.
  - 4 MARK WIRES WITH WRAP OF RED TAPE.
  - 3 SWITCH ON LAMP TO BE ORIENTED TO REAR OF CABINET.
  - 2 SEE ENTERTAINMENT CTR COMPL-TV FOR ADDITIONAL INFORMATION.
  - 1 SEE WIRING INSTL-TV/DVD FOR ADDITIONAL INFORMATION.

- 1K2 TV, BUNK BEDS - WITHOUT
- 682 TV - BUNK BEDS
- 9PA TAILGATE PACKAGE WITHOUT
- 9PC TAILGATE PACKAGE
- 52N AWNING - PATIO, ELECTRIC
- 640 RENTAL - GAH WITHOUT
- 644 GREAT ALASKAN RENTAL PACKAGE
- 38E CONVENIENCE PACKAGE
- 265 CODES/STANDARDS-CSA/CMVSS
- 1B1 CODES/STANDARDS USA

FOR ELECTRICAL TORQUE SPECIFICATIONS SEE DWG NO. 128783-01-000

FOR ELECTRICAL CALLOUTS SEE DWG NO. 121339-01-000

DESCRIPTION: **WIRING INSTL-BODY, 12V**

SHEET: 2 OF 4    ITEM/PART NO.: 000025153 / 31519301000    REV: 17-Mar-2017

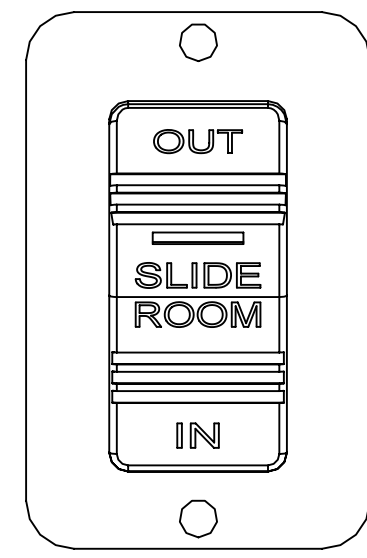
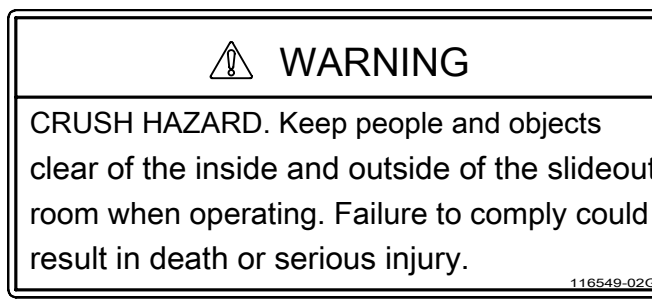
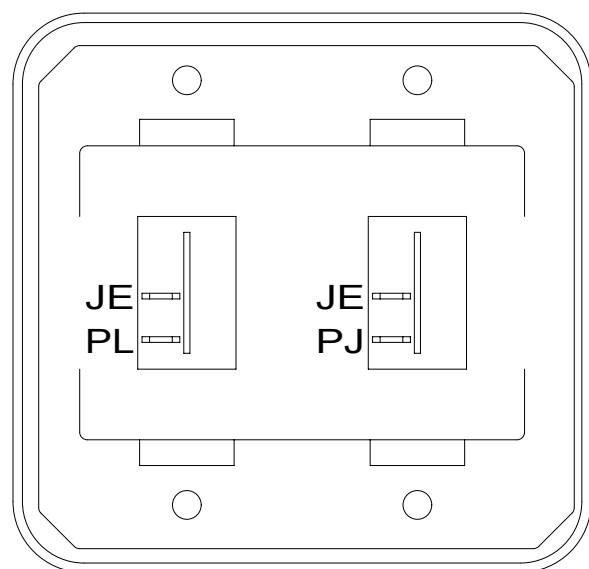


PLATE-SWITCH  
144363-02-CHT  
SWITCH  
108357-18-000  
ACTUATOR  
108356-31-CHT  
SCREW  
G11-08-08U (2)



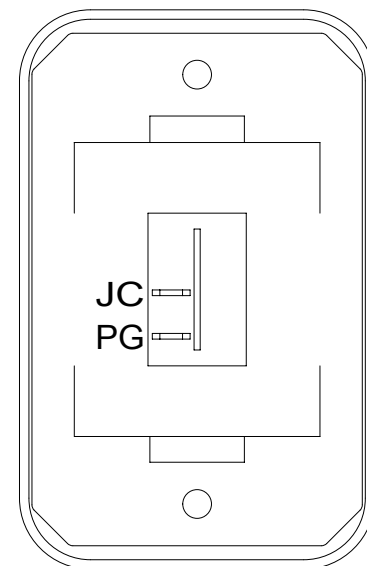
LABEL-WARNING, SLIDEOUT  
116549-02-000

DETAIL CA



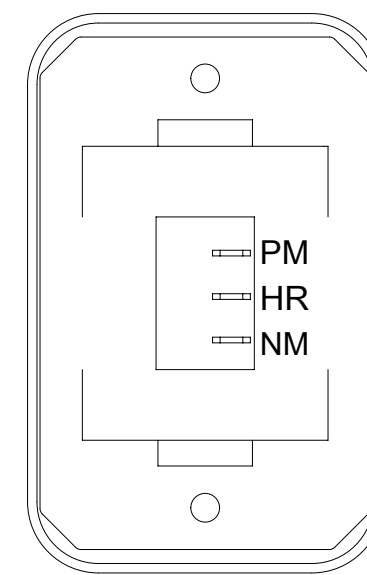
SWITCH-ROCKER  
135740-01-CHT (2)  
SWITCH-BASE  
135741-02-CHT  
SWITCH-BEZEL  
135742-02-CHT  
SCREW  
G11-08-08U (4)

DETAIL CB



SWITCH-ROCKER  
135740-01-CHT  
SWITCH-BASE  
135741-01-CHT  
SWITCH-BEZEL  
135742-01-CHT  
SCREW  
G11-08-08U (2)

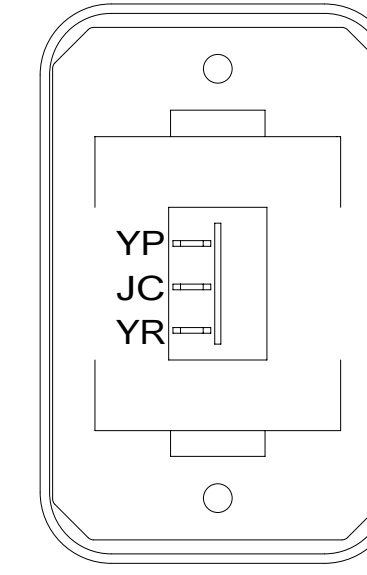
DETAIL CC



SWITCH-ROCKER  
135740-06-CHT  
SWITCH-BASE  
135741-01-CHT  
SWITCH-BEZEL  
135742-01-CHT  
LABEL-SWITCH  
134563-01-CHT  
SCREW  
G11-08-08U (2)

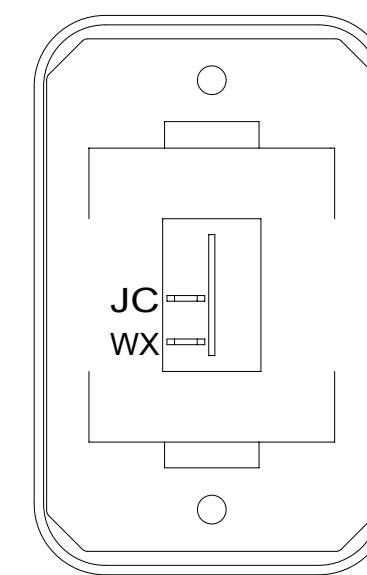
HOLDING TANK HEATER  
TURN OFF When Not In Use  
SEE OPERATORS MANUAL

DETAIL CE 23T 23R



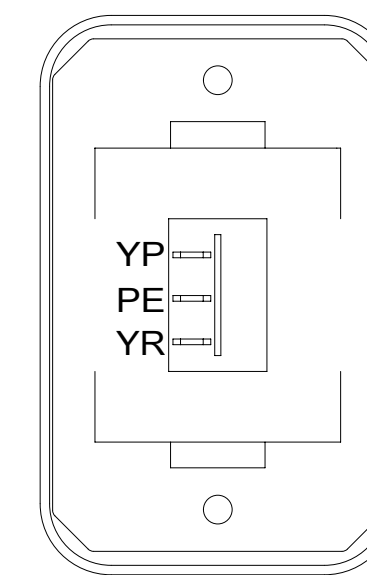
SWITCH-ROCKER  
135740-02-CHT  
SWITCH-BASE  
135741-01-CHT  
SWITCH-BEZEL  
135742-01-CHT  
SCREW  
G11-08-08U (2)

DETAIL CH



SWITCH-ROCKER  
135740-01-CHT  
SWITCH-BASE  
135741-01-CHT  
SWITCH-BEZEL  
135742-01-CHT  
SCREW  
G11-08-08U (2)

DETAIL CF



SWITCH-ROCKER  
135740-02-CHT  
SWITCH-BASE  
135741-01-CHT  
SWITCH-BEZEL  
135742-01-CHT  
SCREW  
G11-08-08U (2)

DETAIL CJ

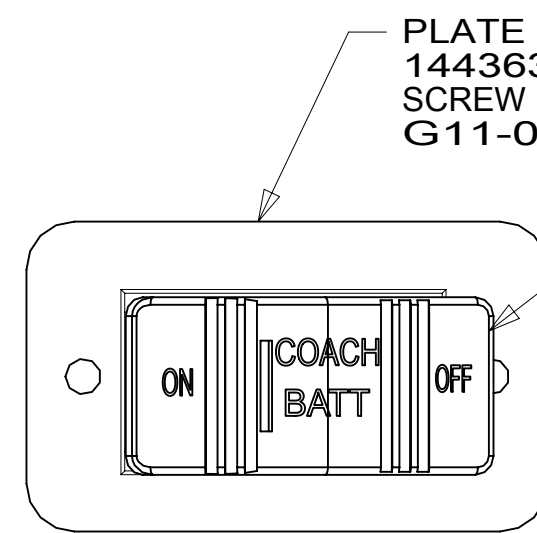
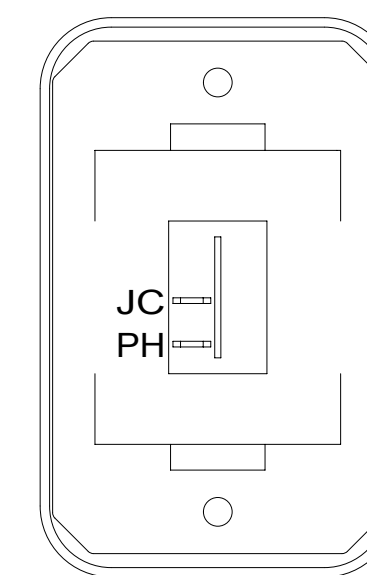


PLATE  
144363-02-CHT  
SCREW  
G11-06-10U (4)

SWITCH-BATTERY  
108357-18-000  
ACTUATOR  
108356-19-CHT  
CIRCUITS LH,LJ,  
LG,JP,JA  
WIRE ASM-THERMISTOR  
186796-01-000

DETAIL CG



SWITCH-ROCKER  
135740-01-CHT  
SWITCH-BASE  
135741-01-CHT  
SWITCH-BEZEL  
135742-01-CHT  
SCREW  
G11-08-08U (2)

DETAIL CK

644 52N SWITCH-ROCKER 108357-06-000  
ACTUATOR-SWITCH 108356-12-CHT  
SWITCH-BLANK 096241-03-000  
52F

SWITCH-ROCKER 108357-14-000  
ACTUATOR-SWITCH 108356-28-CHT  
SWITCH-BLANK 096241-03-000  
52N 644  
52F

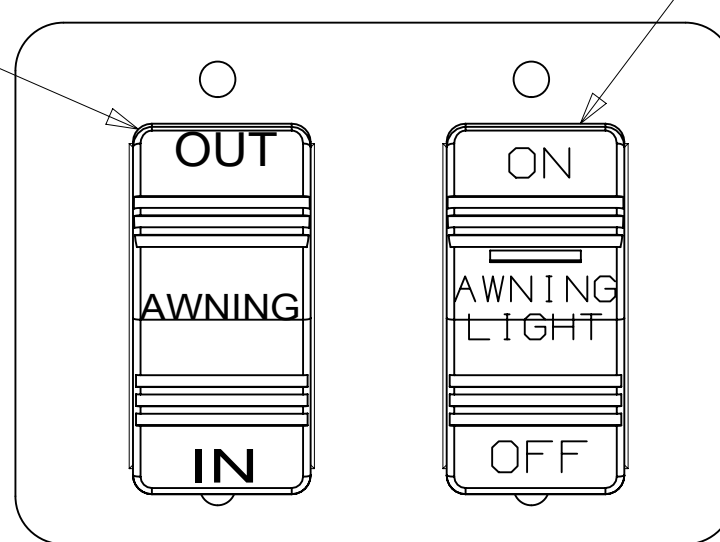


PLATE-SWITCH  
158431-17-CHT  
SCREW  
G11-06-10U (4)

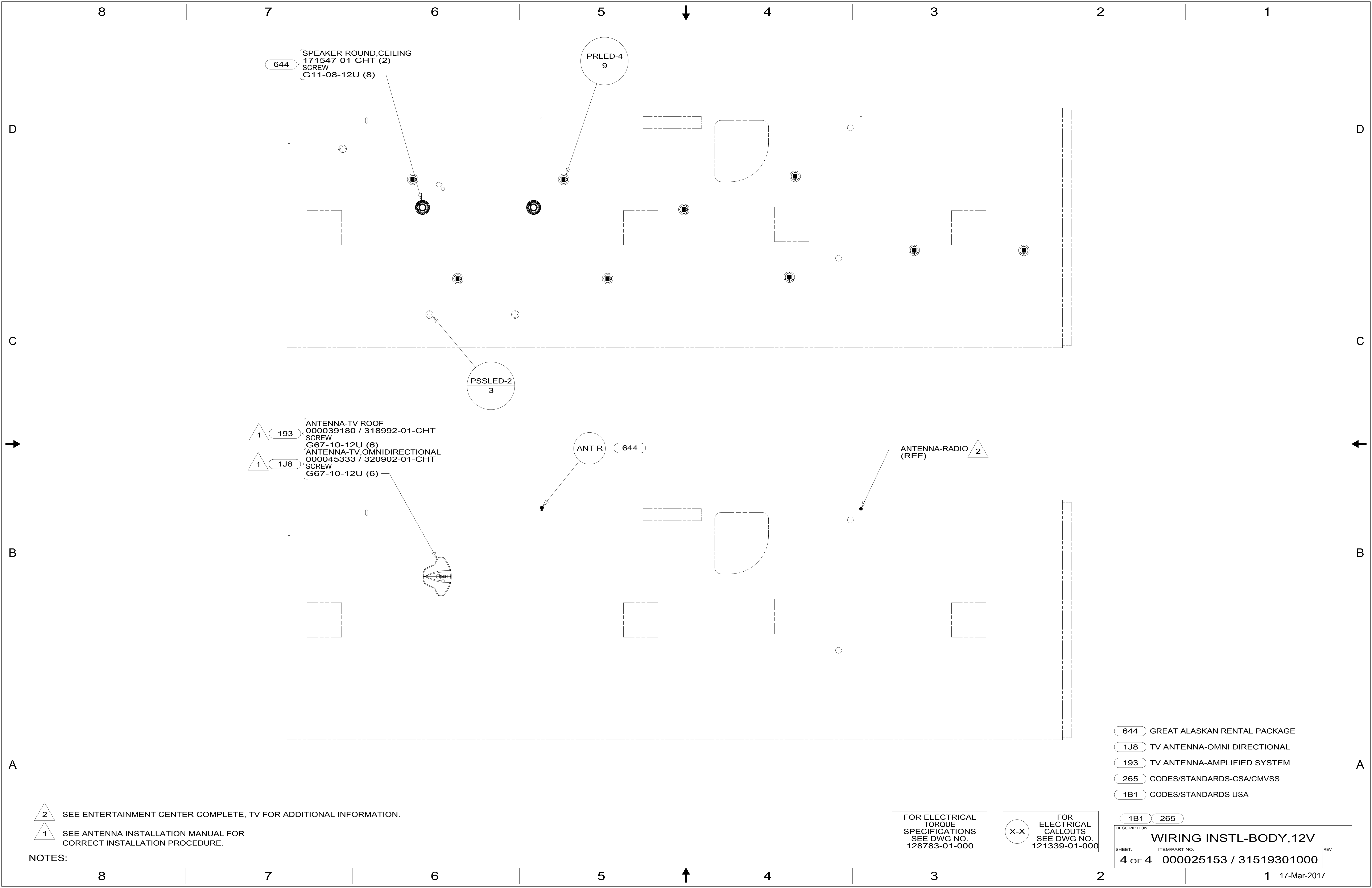
DETAIL CD

- 52F AWNING-PATIO
- 52N AWNING - PATIO, ELECTRIC
- 644 GREAT ALASKAN RENTAL PACKAGE
- 23R DRAINAGE SYSTEM/HEAT-PREWIRE
- 23T DRAINAGE SYSTEM-HEATED
- 265 CODES/STANDARDS-CSA/CMVSS
- 1B1 CODES/STANDARDS USA

FOR ELECTRICAL TORQUE SPECIFICATIONS SEE DWG NO. 128783-01-000

FOR ELECTRICAL CALLOUTS SEE DWG NO. 121339-01-000

DESCRIPTION:		1B1 265
<b>WIRING INSTL-BODY, 12V</b>		
SHEET:	ITEM/PART NO.:	REV
3 OF 4	000025153 / 31519301000	



644 SPEAKER-ROUND, CEILING  
171547-01-CHT (2)  
SCREW  
G11-08-12U (8)

PRLED-4  
9

PSSLED-2  
3

1 193 ANTENNA-TV ROOF  
000039180 / 318992-01-CHT  
SCREW  
G67-10-12U (6)  
1 1J8 ANTENNA-TV, OMNIDIRECTIONAL  
000045333 / 320902-01-CHT  
SCREW  
G67-10-12U (6)

ANT-R 644

ANTENNA-RADIO (REF) 2

- 644 GREAT ALASKAN RENTAL PACKAGE
- 1J8 TV ANTENNA-OMNI DIRECTIONAL
- 193 TV ANTENNA-AMPLIFIED SYSTEM
- 265 CODES/STANDARDS-CSA/CMVSS
- 1B1 CODES/STANDARDS USA

NOTES:  
 2 SEE ENTERTAINMENT CENTER COMPLETE, TV FOR ADDITIONAL INFORMATION.  
 1 SEE ANTENNA INSTALLATION MANUAL FOR CORRECT INSTALLATION PROCEDURE.

FOR ELECTRICAL TORQUE SPECIFICATIONS SEE DWG NO. 128783-01-000

FOR ELECTRICAL CALLOUTS SEE DWG NO. 121339-01-000

DESCRIPTION: <b>WIRING INSTL-BODY, 12V</b>	
SHEET: <b>4 OF 4</b>	ITEM/PART NO.: <b>000025153 / 31519301000</b>
REV <b>1 17-Mar-2017</b>	