

LEFT SIDEWALL
(REF)

RIGHT SIDEWALL
(REF)

EXTERIOR TV ASM-55 W/SB
000024494 / 315013-01-XXX ← 76N
EXTERIOR TV ASM-40 W/SB
000024495 / 315012-01-XXX ← 1DF

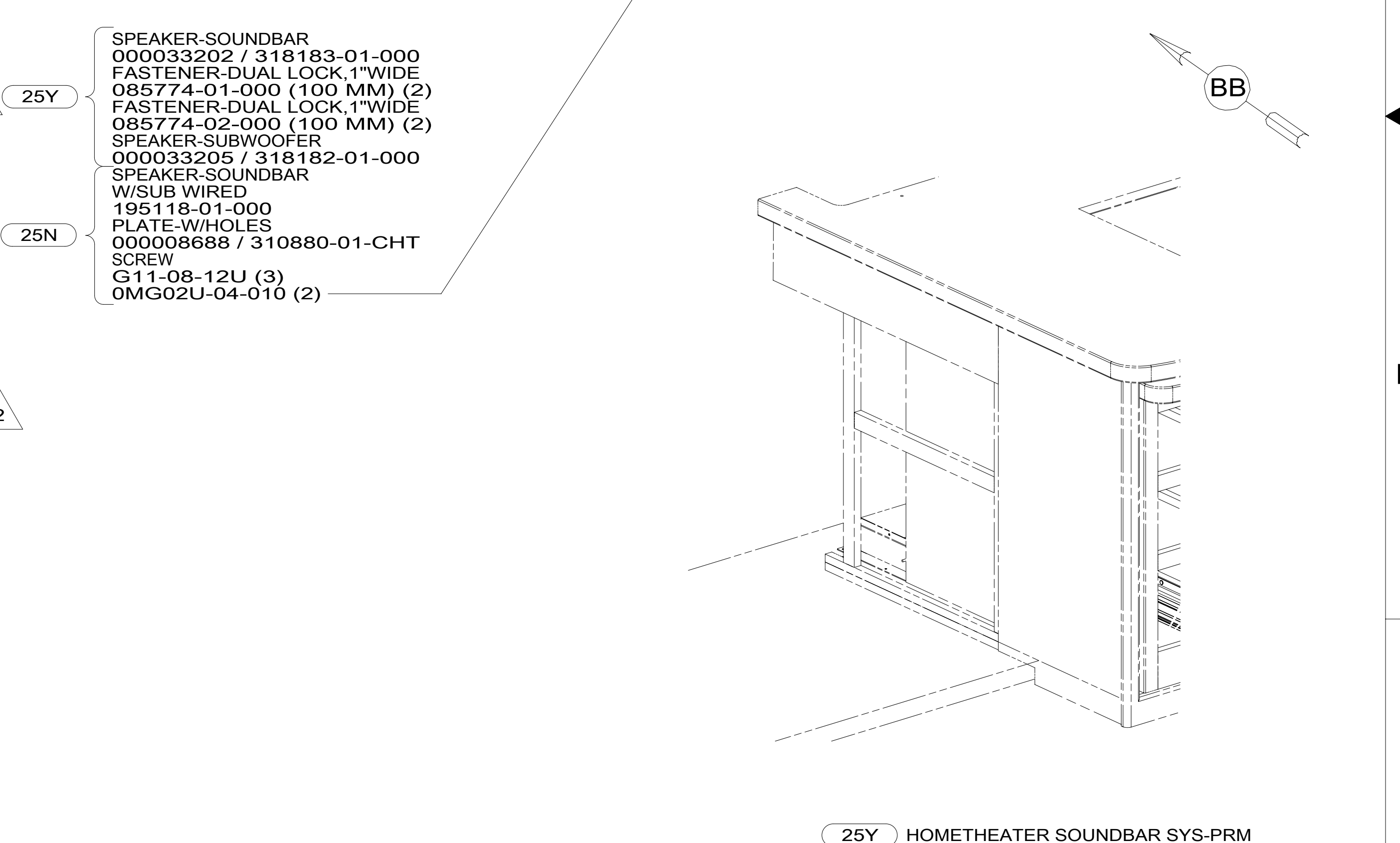
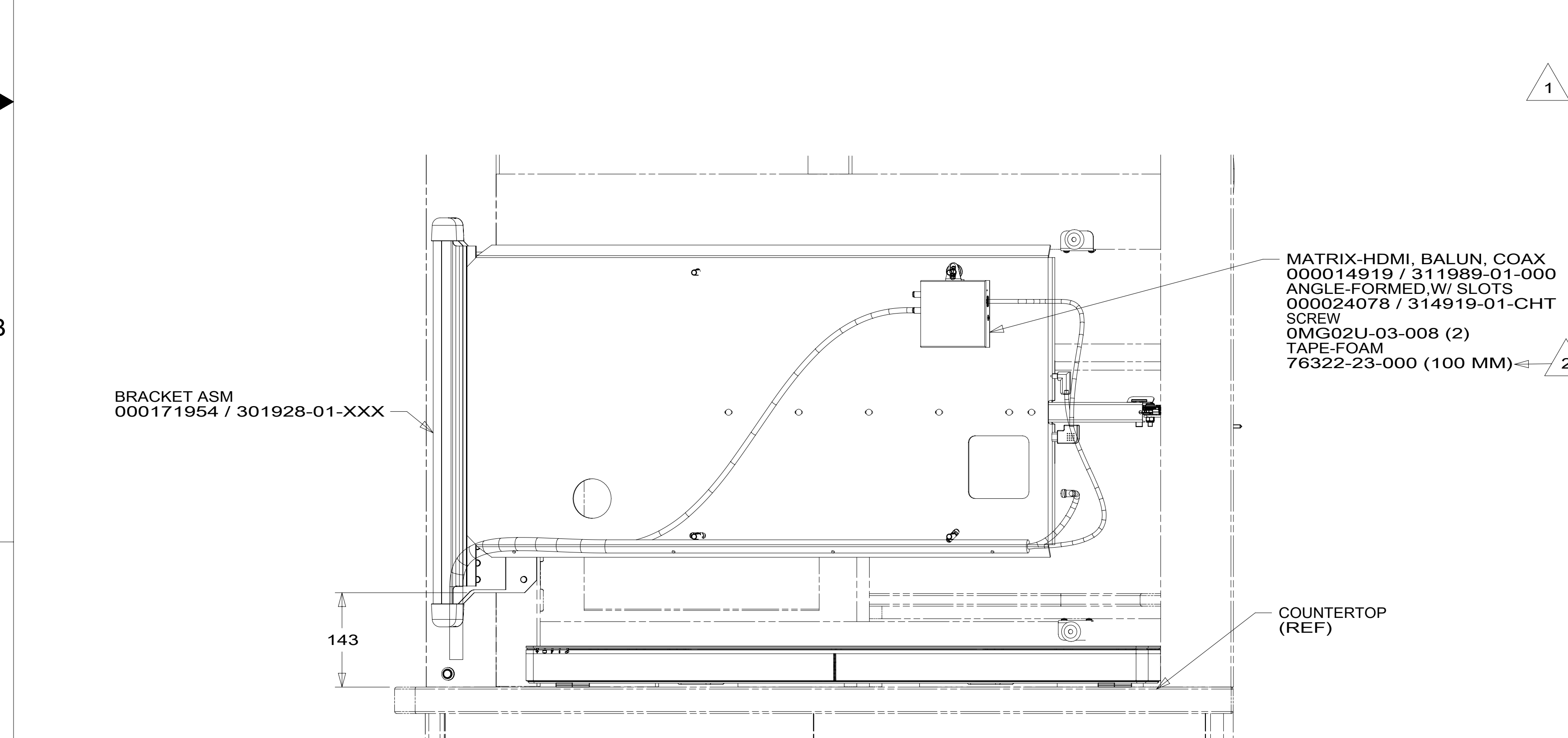
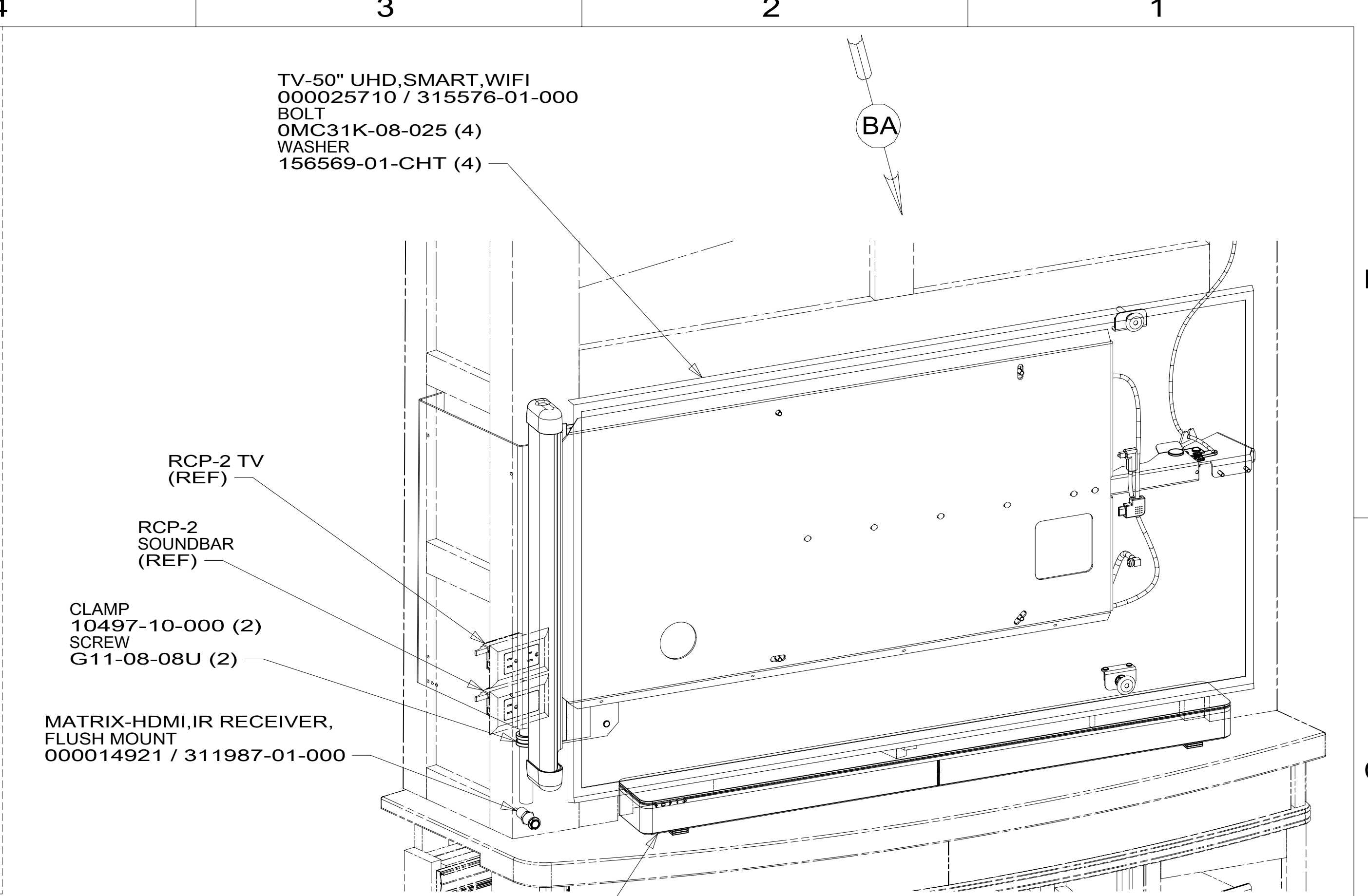
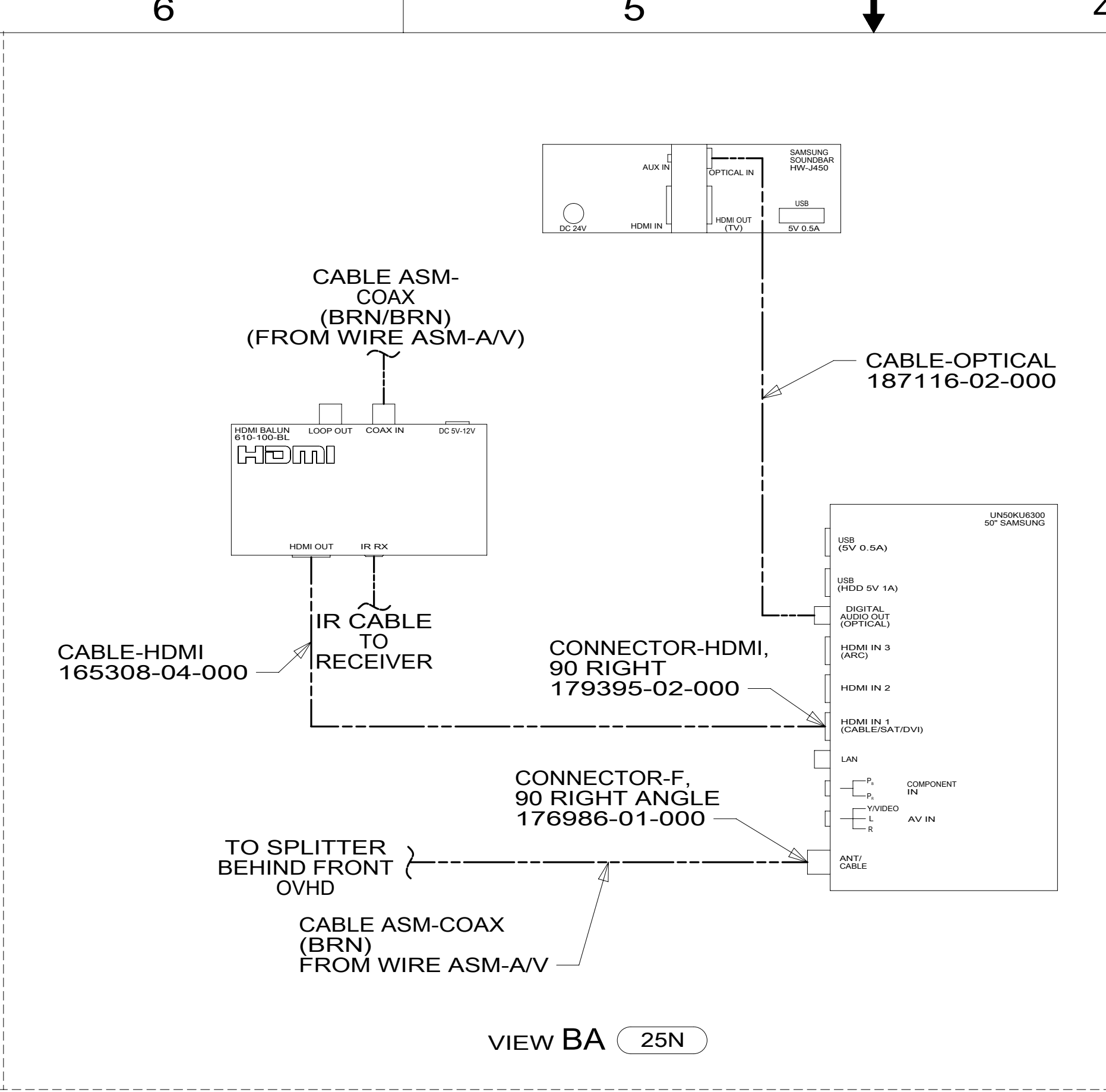
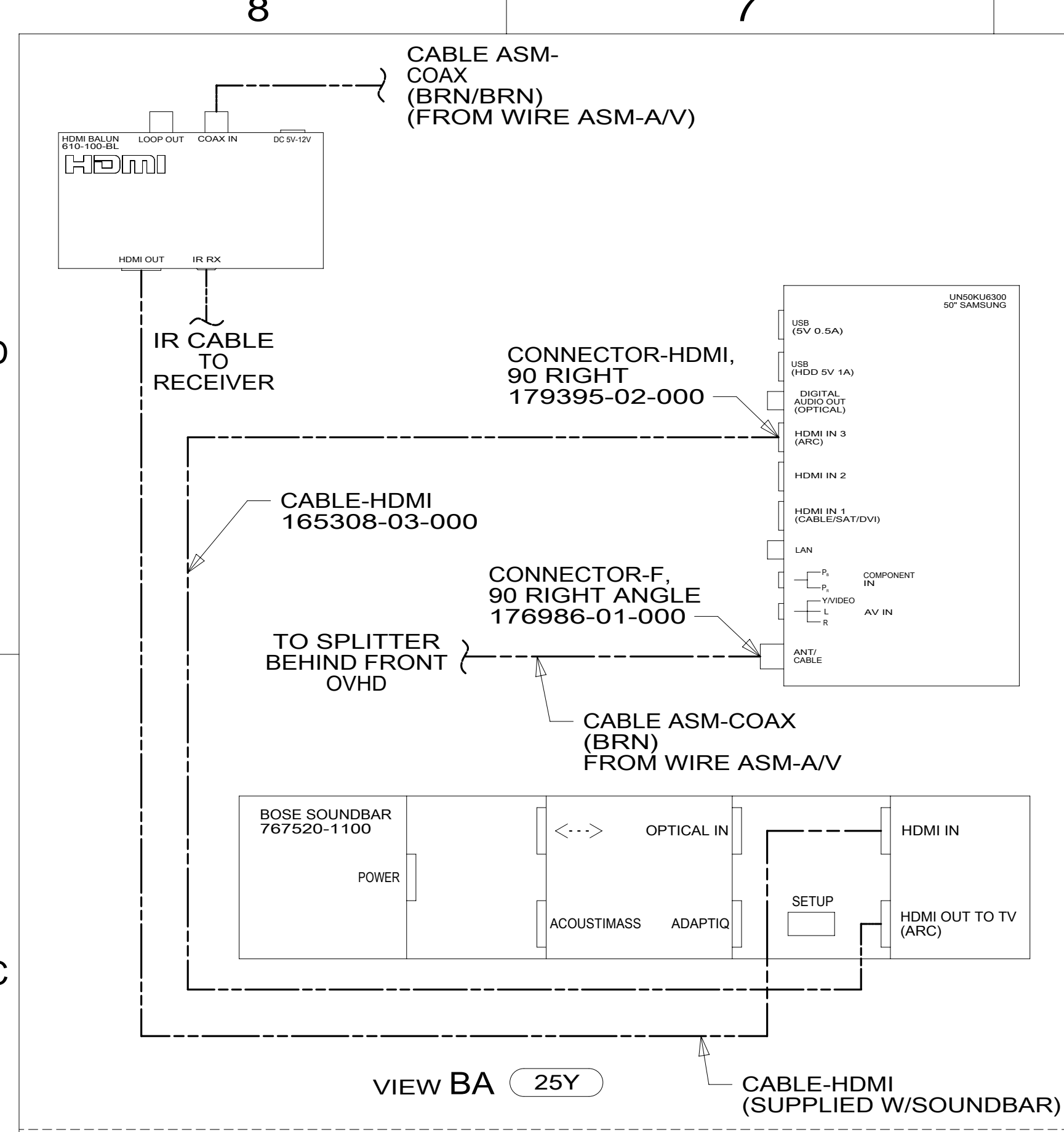
FOR ELECTRICAL
TORQUE
SPECIFICATIONS
SEE DWG NO.
128783-01-000

FOR
ELECTRICAL
CALLOUTS
SEE DWG NO.
121339-01-000

- 76N EXT ENTERTAIN CTR-UPGRADE
- 1DF EXT TV ENTERTAINMENT CENTER
- 265 CODES/STANDARDS-CSA/CMVSS
- 1B1 CODES/STANDARDS USA

WINNEBAGO
COPYRIGHT 2016 WINNEBAGO INDUSTRIES, INC.

DSNR:		ALL DIMENSIONS ARE IN MILLIMETERS	
DFFR:		17 R42QL	
UNSPECIFIED TOLERANCES:	MATERIAL:		
WHOLE DIM (X) :			
ONE-PLACE (X.X) :			
TWO-PLACE (X.XX) :			
ANGLE :			
REFER TO ES0018 FOR FASTENER TIGHTENING GUIDELINES		WEIGHT: (LBS)	FIRST USED:
DESCRIPTION:		17 R42QL	
WIRING INSTL-A/V, COACH			
SHEET:	ITEM/PART NO.:	REF:	REV
1 OF 3	000024012 / 31510801000		



25Y	HOMETHEATER SOUNDBAR SYS-PRM
25N	HOME THEATER SOUNDBAR SYSTEM
265	CODES/STANDARDS-CSA/CMVSS
1B1	CODES/STANDARDS USA

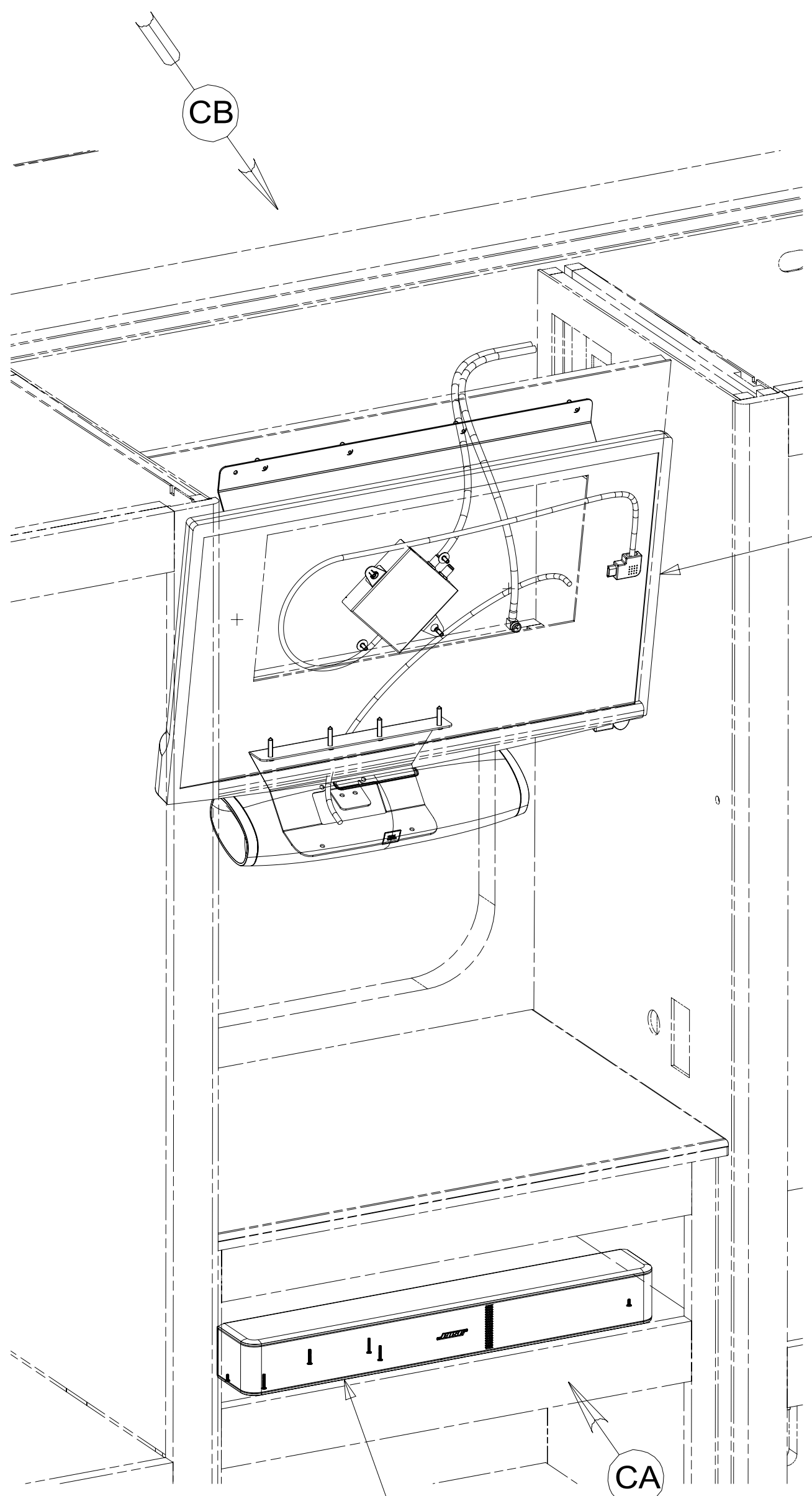
1B1	265
DESCRIPTION:	
WIRING INSTL-A/V, COACH	
SHEET:	ITEM/PART NO:
2 OF 3	000024012 / 31510801000
REV	
06-Dec-2016	

FOR ELECTRICAL TORQUE SPECIFICATIONS SEE DWG NO. 128783-01-000	FOR ELECTRICAL CALLOUTS SEE DWG NO. 121339-01-000
--	---

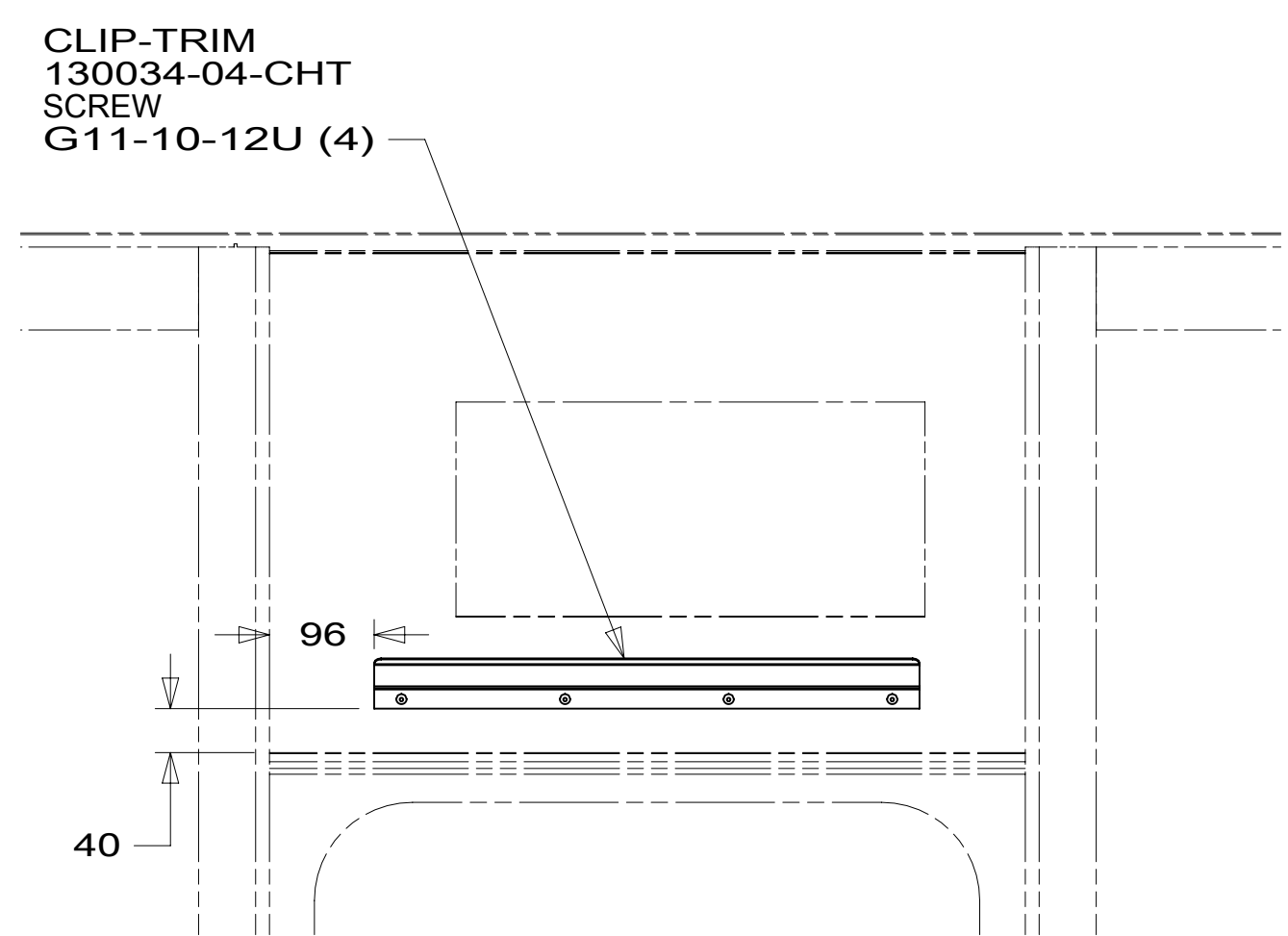
NOTES:

2 CLEAN AND APPLY ADHESIVE PROMOTER 87211-01-000 TO BOTH SURFACES.

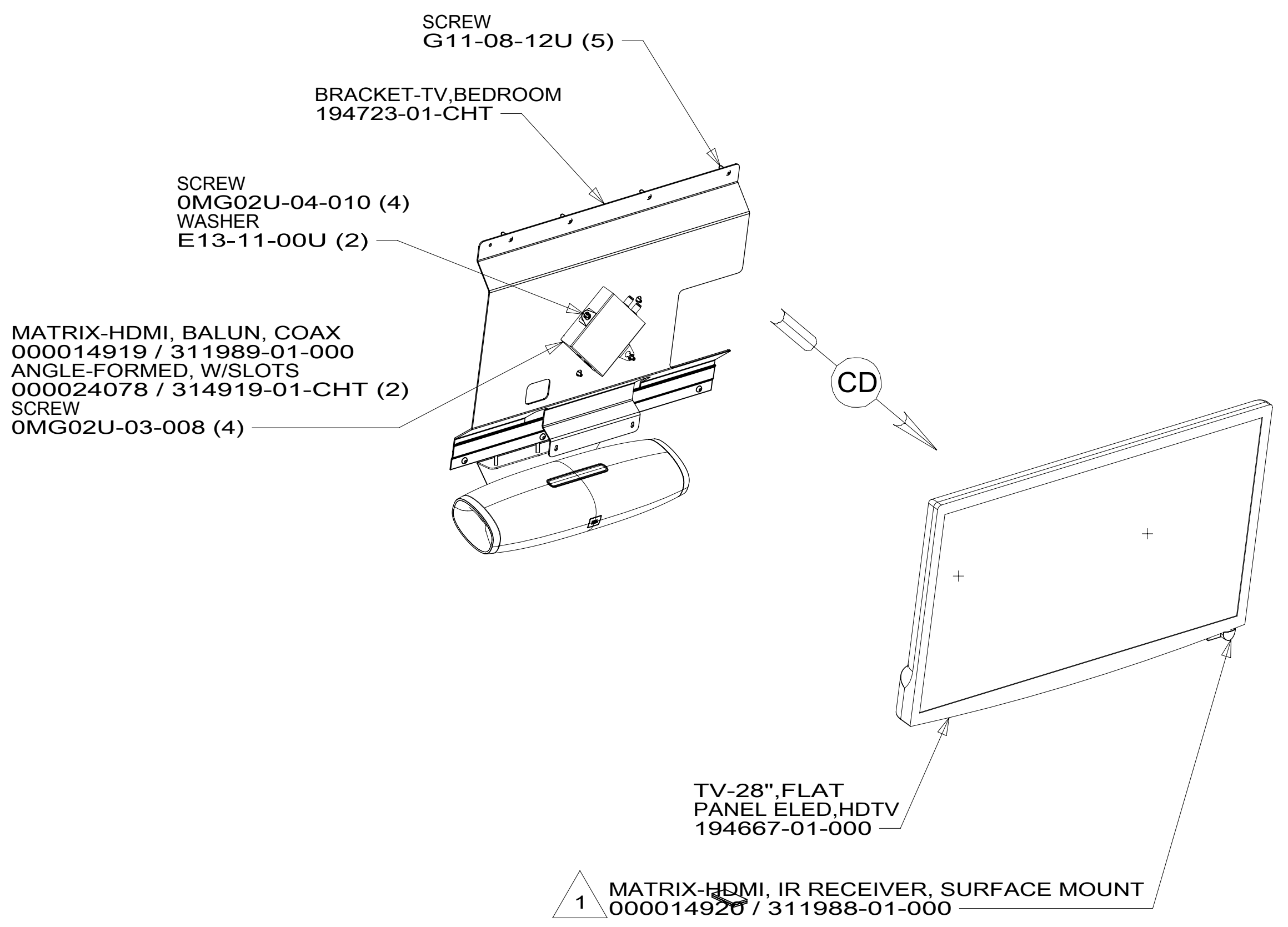
1 SUBWOOFER SHIPS WITH UNIT IN ORIGINAL MFG PACKAGING.



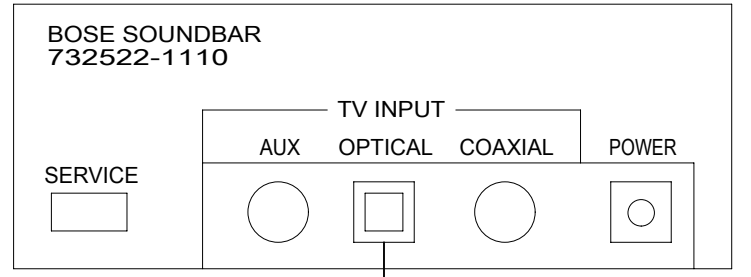
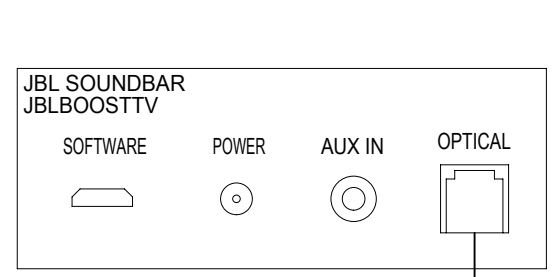
TV DETAIL CC



VIEW CA
(TV NOT SHOWN)



VIEW CC

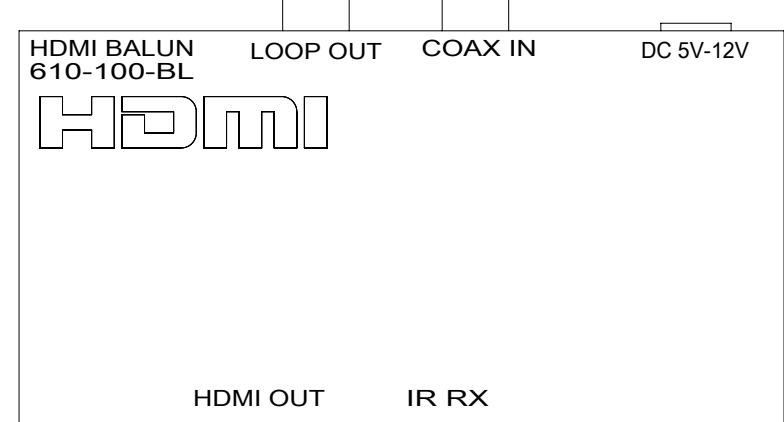


- SPEAKER-SOUNDBAR, NO SUB
000035923 / 318181-01-000
- FASTENER-DUAL LOCK, 1" WIDE
085774-01-000 (51 MM) (2)
- FASTENER-DUAL LOCK, 1" WIDE
085774-02-000 (51 MM) (2)
- SOUNDBAR
000005776 / 312404-01-000
- BRACKET
000015349 / 312924-01-CHT
- SCREW
000G39-08-12U (4)
(SOUNDBAR)
- SCREW
000G67-10-16U (4)
(CABINET)

25Y

25N

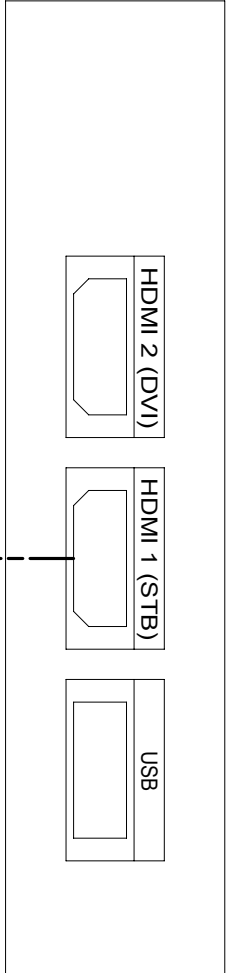
CABLE ASM-COAX (GRN/GRN)
(FROM WIRE ASM-A/V)



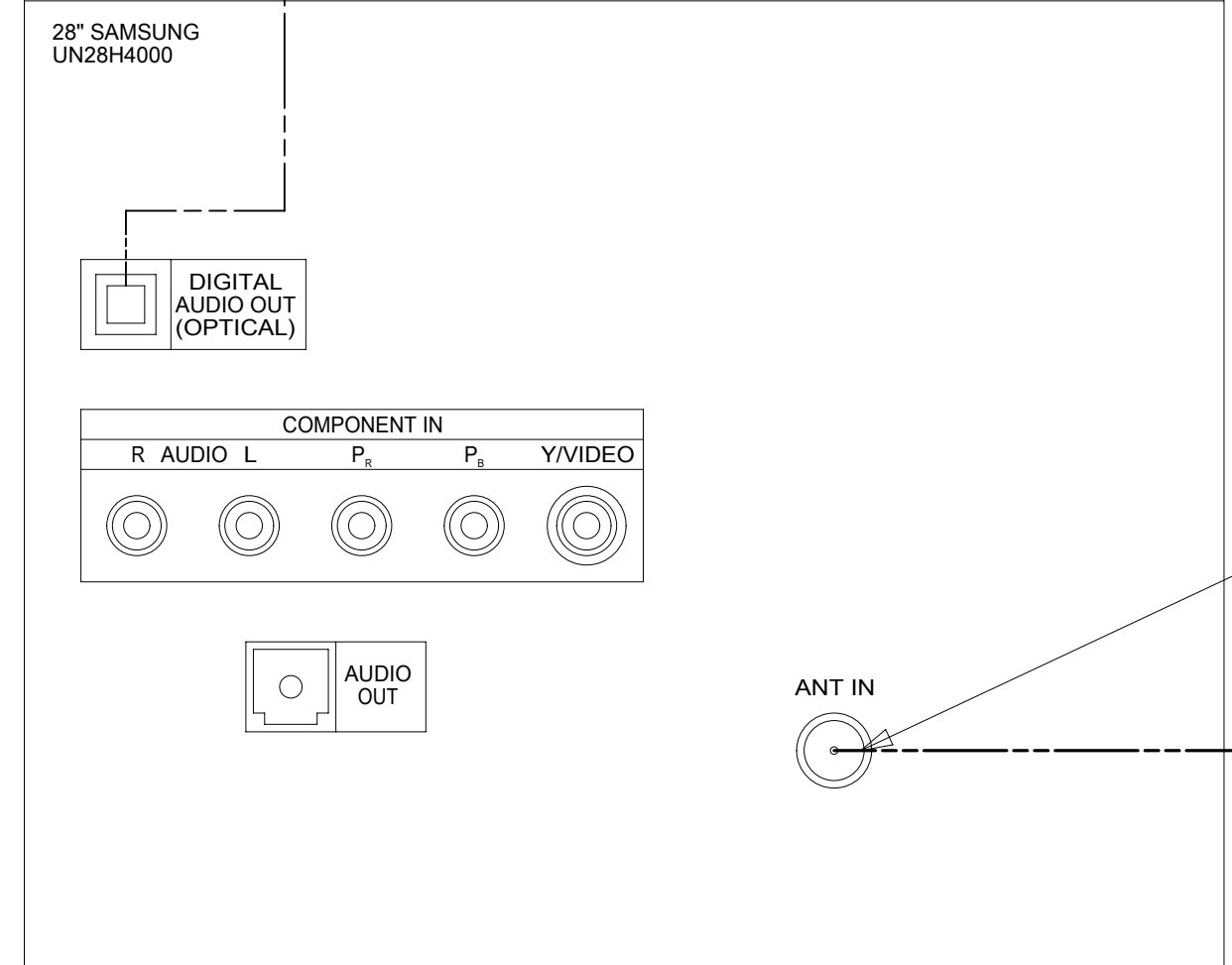
HDMI OUT IR RX

IR CABLE TO RECEIVER

CABLE-HDMI 165308-04-000

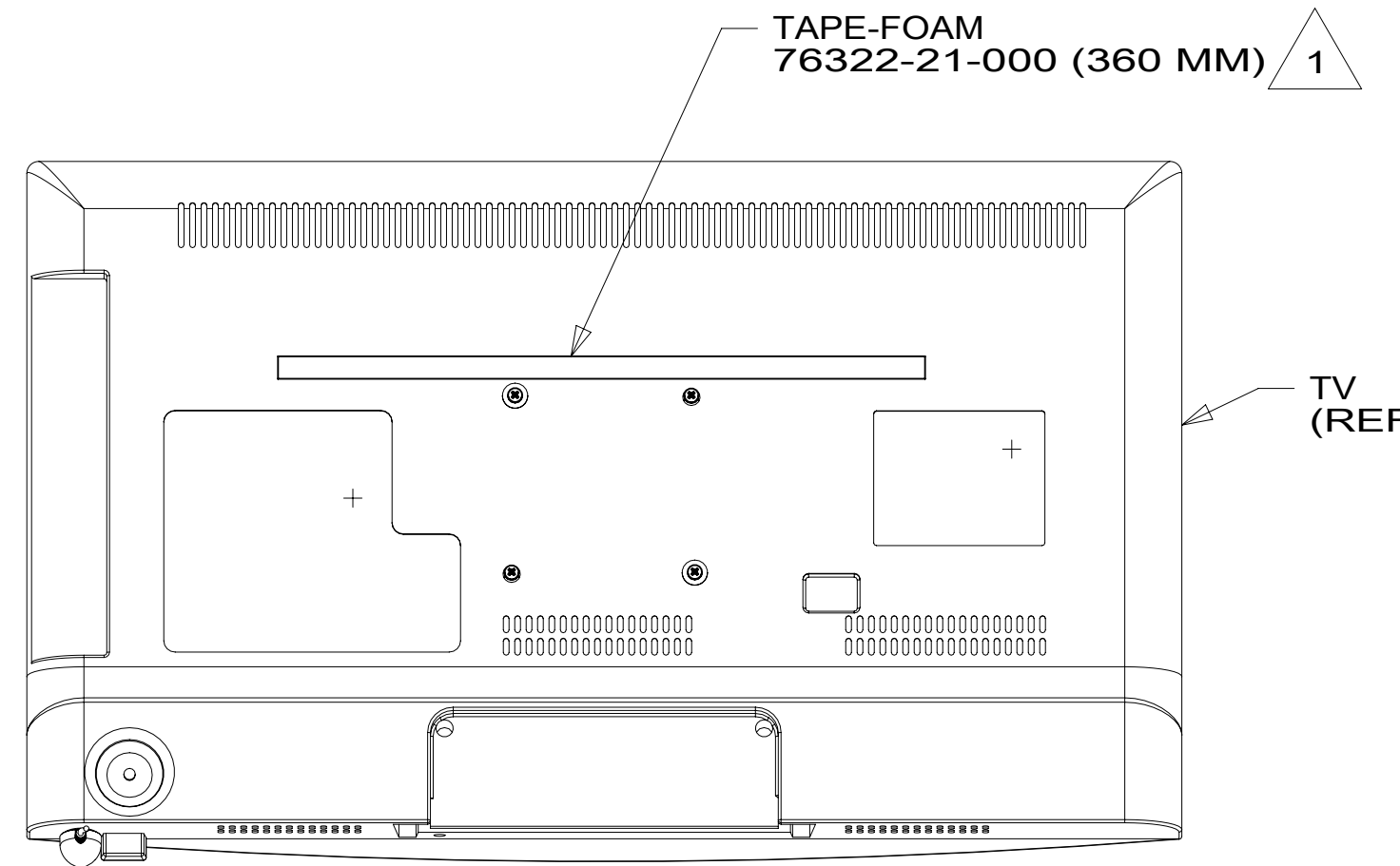


VIEW CB



CONNECTOR-F,90 176986-01-000

COAX (GRN)



DETAIL CD

- 25N HOME THEATER SOUNDBAR SYSTEM
- 25Y HOMETHEATER SOUNDBAR SYS-PRM
- 265 CODES/STANDARDS-CSA/CMVSS
- 1B1 CODES/STANDARDS USA

1 CLEAN AND APPLY ADHESIVE PROMOTER 87211-01-000 TO BOTH SURFACES.

FOR ELECTRICAL TORQUE SPECIFICATIONS SEE DWG NO. 128783-01-000

FOR ELECTRICAL CALLOUTS SEE DWG NO. 121339-01-000

1B1	265
DESCRIPTION:	
WIRING INSTL-A/V, COACH	
SHEET:	ITEM/PART NO:
3 OF 3	000024012 / 31510801000
REV	