

8

7

6

5

4

3

2

1



D

D

C

C

B

B

A

A

RED	1B1	136135-07-065	1
	265	136136-07-065	1
GRN	1B1	136135-08-065	1
	265	136136-08-065	1
YEL	1B1	136131-05-056	1
	265	136134-05-056	1
GLD	1B1	136131-10-055	1
	265	136134-10-055	1
GLD-2	1B1	136131-20-055	1
	265	136134-20-055	1
BLU	1B1	136131-02-118	1
	265	136134-02-118	1
BRN	1B1	136131-03-085	
	265	136134-03-085	
PUR	1B1	136131-04-150	
	265	136134-04-150	
WHT	1B1	136135-09-058	1
	265	136136-09-058	1

53K

53K

ORG	1B1	136131-16-030	
	265	136134-16-030	
BLK	1B1	136131-06-057	1
	265	136134-06-057	1
GRY	1B1	136131-15-103	14C
	265	136134-15-103	14C
INVERTER CHARGER MAIN	1B1	136137-01-028	
	265	136138-01-028	
INVERTER CHARGER SUB MAIN	1B1	136137-01-028	
	265	136138-01-028	
CABLE ASM-MAIN, 6 AWG		176841-01-034	
MAIN GROUND		136145-01-025	
ATS GROUND		136145-01-015	
INVERTER GROUND		136145-04-022	
GENERATOR CABLE ASM		136148-02-109	

14C

14C

53K WTR HTR-10GAL/ELECTRIC/LPGAS

14C FIREPLACE-ELECTRIC

265 CODES/STANDARDS-CSA/CMVSS

1B1 CODES/STANDARDS USA

1B1 265



COPYRIGHT 2016 WINNEBAGO INDUSTRIES, INC.

DSNR:		ALL DIMENSIONS ARE IN MILLIMETERS	
DFFR:		MATERIAL:	
UNSPECIFIED TOLERANCES:		WEIGHT: (LBS)	FIRST USED:
WHOLE DIM (X)	3		17 L36G
ONE-PLACE (X.X)	1.5		
TWO-PLACE (X.XX)	0.50		
ANGLE	1°		
REFER TO ES0018 FOR FASTENER TIGHTENING GUIDELINES			
DESCRIPTION: <b>LOAD CENTER/ATS ASM</b>			
SHEET: 1 OF 4	ITEM/PART NO: 000022830 / 31457001000	REF:	REV

FOR ELECTRICAL TORQUE SPECIFICATIONS SEE DWG NO. 128783-01-000

FOR ELECTRICAL CALLOUTS SEE DWG 000228177 344479-01-000

NOTES: 1 SEE DETAIL BA FOR CONNECTOR INSTALLATION.

8

7

6

5

4

3

2

1

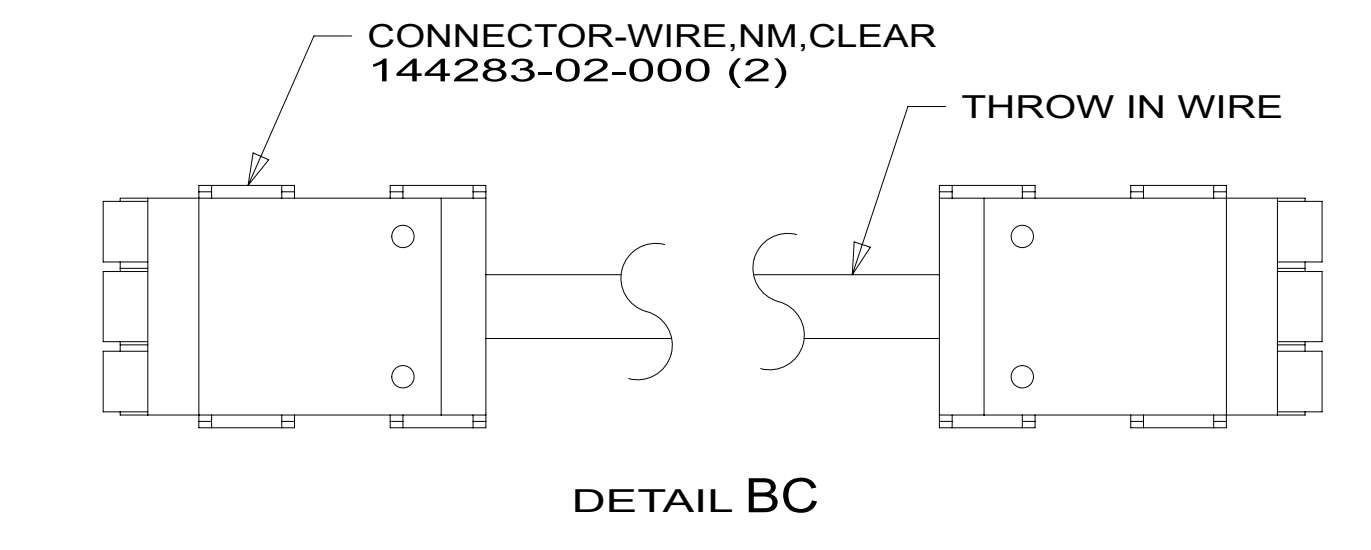
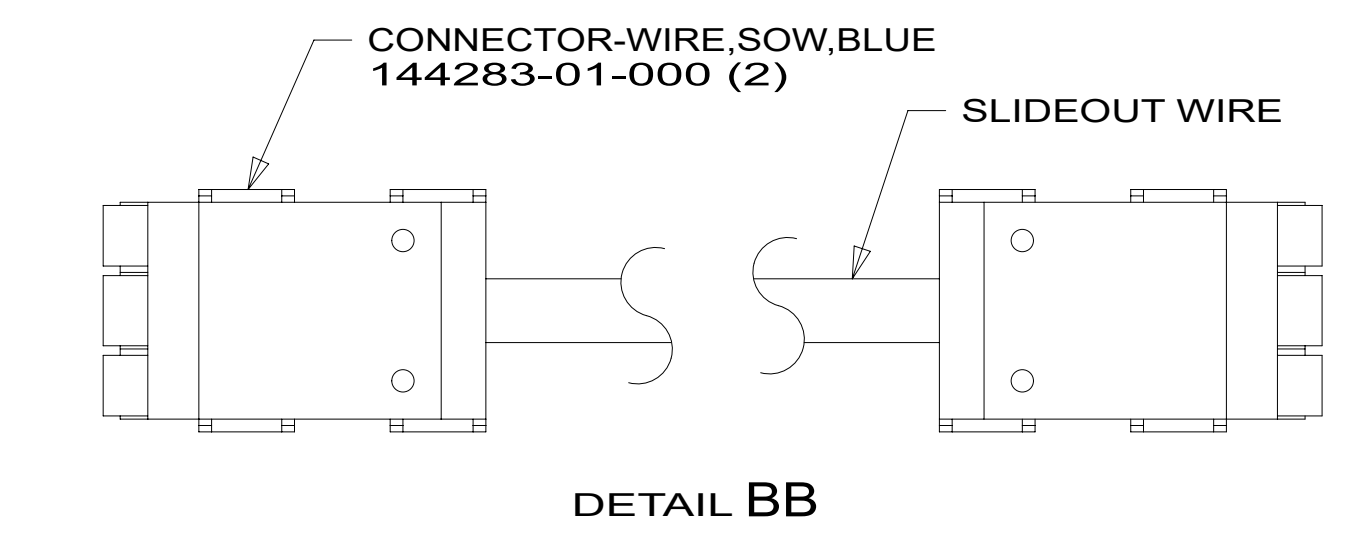
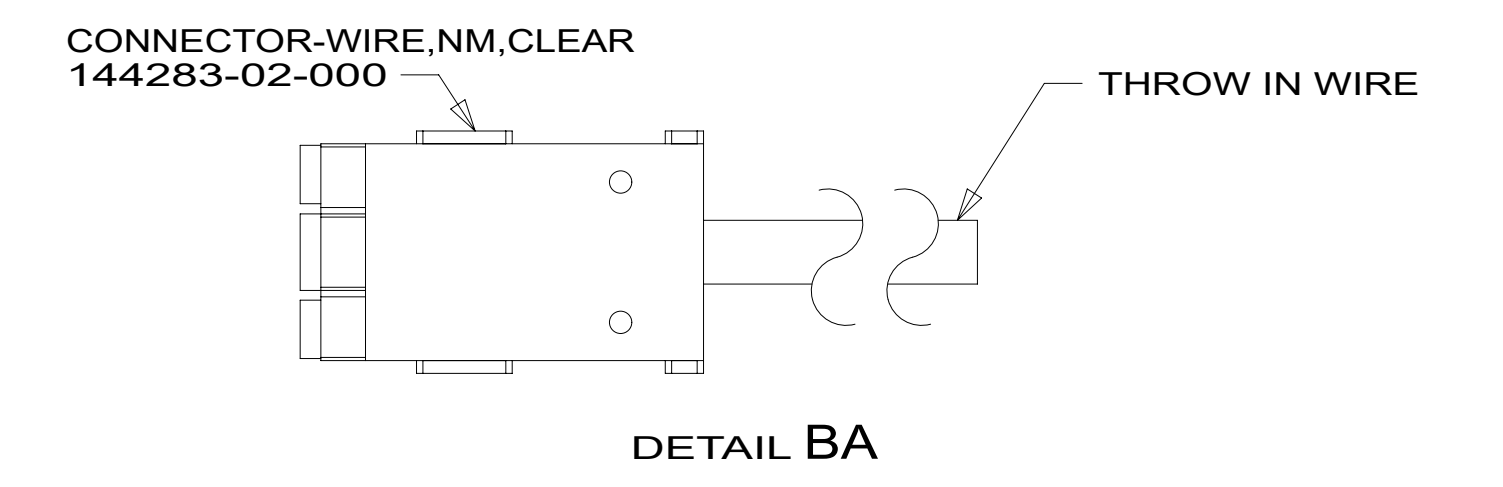
15-Sep-2022

THROW IN WIRE #1	1B1	136131-02-062	1
	265	136134-02-062	1
THROW IN WIRE #2	1B1	136131-04-080	3
	265	136134-04-080	3
THROW IN WIRE #3	1B1	136131-02-003	1
	265	136134-02-003	1
THROW IN WIRE #4	1B1	136131-09-024	1
	265	136134-09-024	1
THROW IN WIRE #5	1B1	136131-02-070	1
	265	136134-02-070	1
THROW IN WIRE #6	1B1	136131-03-045	1
	265	136134-03-045	1
THROW IN WIRE #7	1B1	136131-05-007	1
	265	136134-05-007	1

53K  
53K

SLIDEOUT WIRE #1	136151-05-019	2
SLIDEOUT WIRE #2	136151-02-019	2
SLIDEOUT WIRE #3	136151-06-019	2
SLIDEOUT WIRE #4	136151-10-019	2
SLIDEOUT WIRE #5	136151-20-019	2
SLIDEOUT WIRE #6	136151-04-019	2
SLIDEOUT WIRE #7	136151-09-019	2
SLIDEOUT WIRE #8	136151-02-025	2
SLIDEOUT WIRE #9	136151-03-025	2
SLIDEOUT WIRE #10	136151-02-015	2

53K  
1DF



3 SEE DETAIL BC FOR CONNECTOR INSTALLATION.  
2 SEE DETAIL BB FOR CONNECTOR INSTALLATION.  
1 SEE DETAIL BA FOR CONNECTOR INSTALLATION.

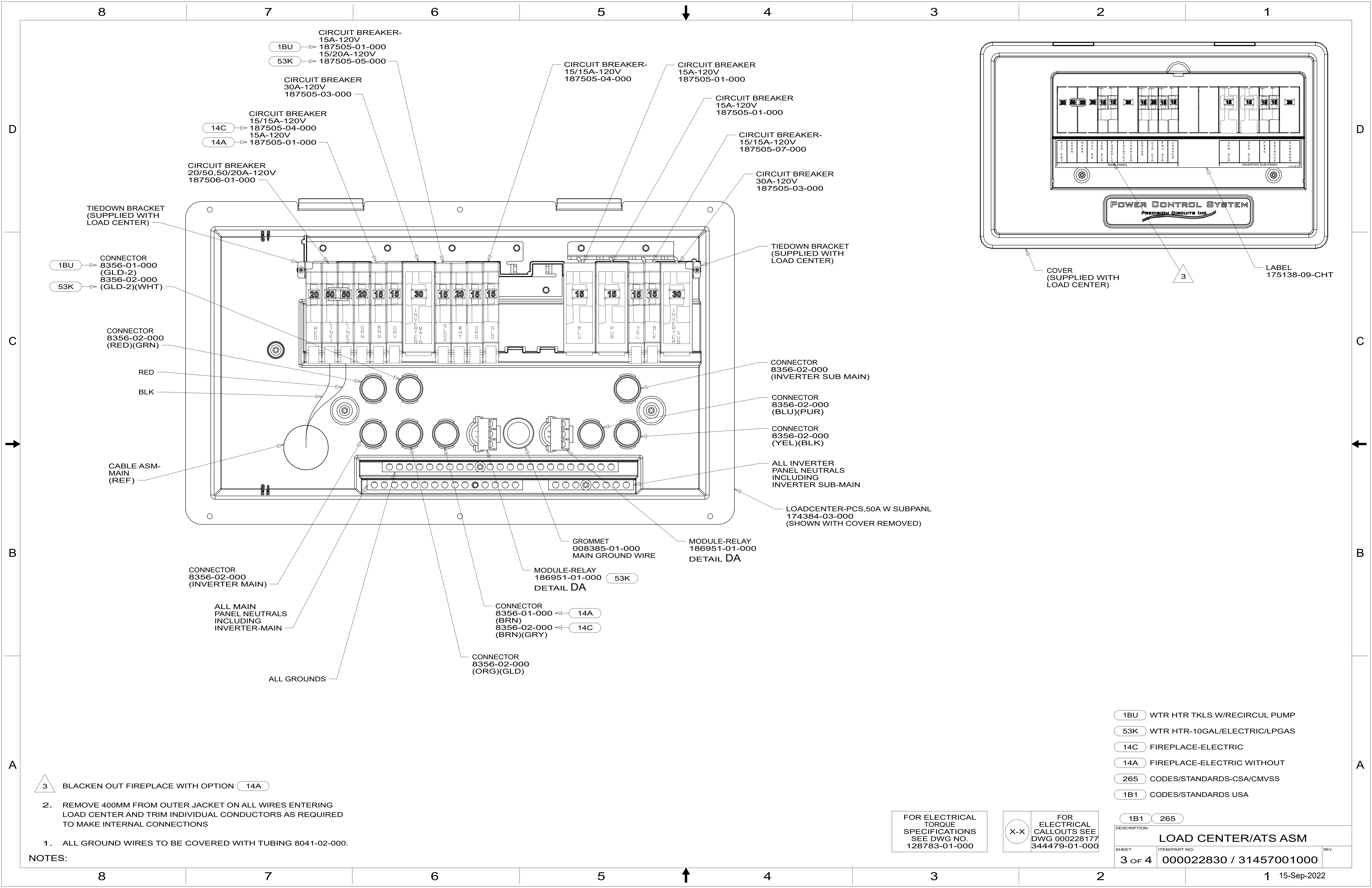
NOTES:

- 53K WTR HTR-10GAL/ELECTRIC/LPGAS
- 1DF EXT TV ENTERTAINMENT CENTER
- 265 CODES/STANDARDS-CSA/CMVSS
- 1B1 CODES/STANDARDS USA

FOR ELECTRICAL TORQUE SPECIFICATIONS SEE DWG NO. 128783-01-000

FOR ELECTRICAL CALLOUTS SEE DWG 000228177 344479-01-000

DESCRIPTION:	1B1 265	
LOAD CENTER/ATS ASM		
SHEET:	ITEM/PART NO.:	REV:
2 OF 4	000022830 / 31457001000	



- CIRCUIT BREAKER-15A-120V  
1BU → 187505-01-000  
53K → 187505-05-000
- CIRCUIT BREAKER 30A-120V  
187505-03-000
- CIRCUIT BREAKER 15/15A-120V  
187505-04-000
- CIRCUIT BREAKER 15A-120V  
187505-01-000
- CIRCUIT BREAKER 15/15A-120V  
187505-07-000
- CIRCUIT BREAKER 30A-120V  
187505-03-000

- CIRCUIT BREAKER 15/15A-120V  
14C → 187505-04-000  
14A → 187505-01-000

CIRCUIT BREAKER 20/50,50/20A-120V  
187506-01-000

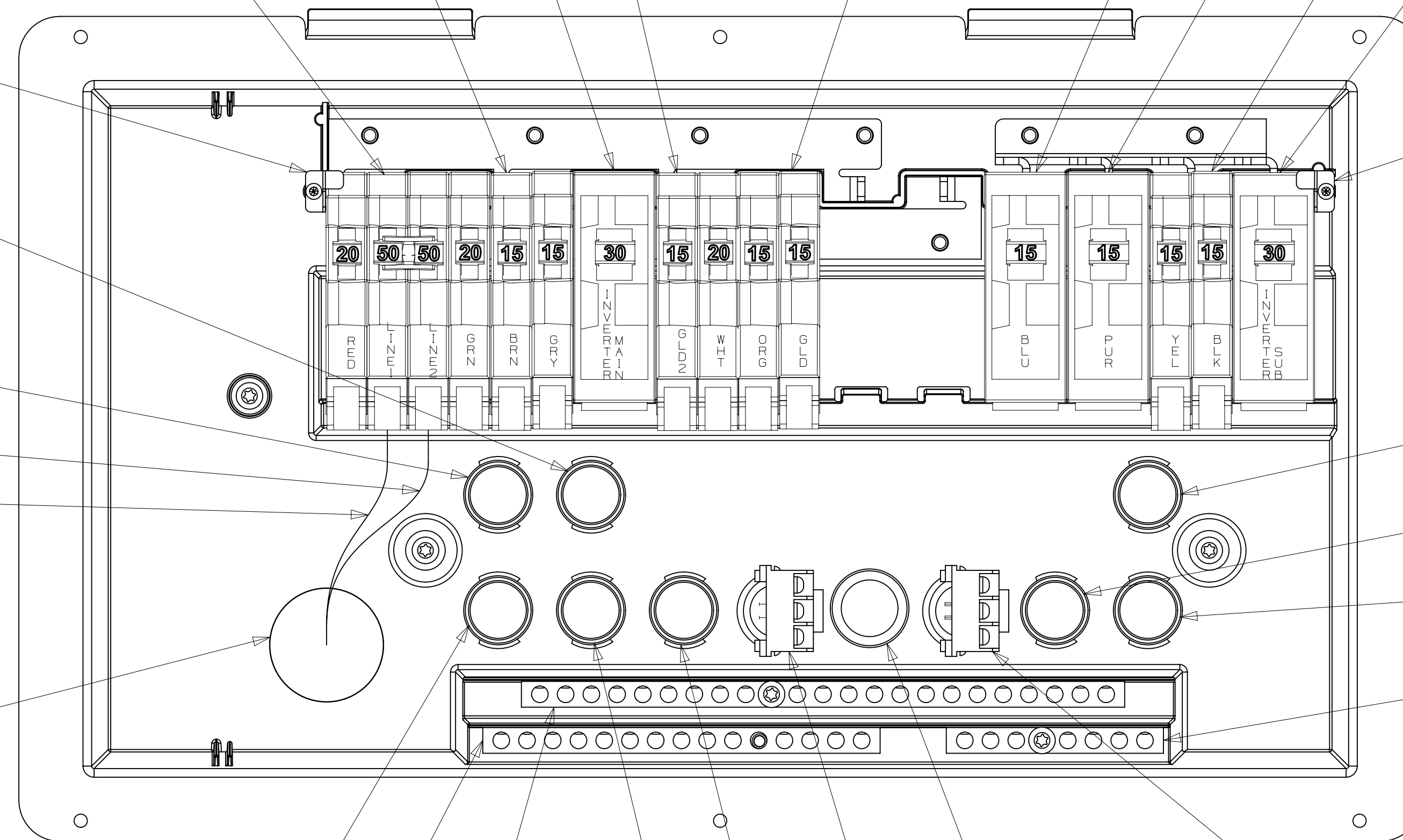
TIEDOWN BRACKET (SUPPLIED WITH LOAD CENTER)

- CONNECTOR 8356-01-000 (GLD-2)  
1BU → 8356-02-000 (GLD-2)(WHT)  
53K →

CONNECTOR 8356-02-000 (RED)(GRN)

RED  
BLK

CABLE ASM-MAIN (REF)



TIEDOWN BRACKET (SUPPLIED WITH LOAD CENTER)

- CONNECTOR 8356-02-000 (INVERTER SUB MAIN)
- CONNECTOR 8356-02-000 (BLU)(PUR)
- CONNECTOR 8356-02-000 (YEL)(BLK)

ALL INVERTER PANEL NEUTRALS INCLUDING INVERTER SUB-MAIN

LOADCENTER-PCS,50A W SUBPANL 174384-03-000 (SHOWN WITH COVER REMOVED)

GROMMET 008385-01-000 MAIN GROUND WIRE

MODULE-RELAY 186951-01-000  
53K  
DETAIL DA

CONNECTOR 8356-02-000 (INVERTER MAIN)

MODULE-RELAY 186951-01-000  
53K  
DETAIL DA

ALL MAIN PANEL NEUTRALS INCLUDING INVERTER-MAIN

- CONNECTOR 8356-01-000 (BRN) ← 14A
- CONNECTOR 8356-02-000 (BRN)(GRY) ← 14C

ALL GROUNDS

CONNECTOR 8356-02-000 (ORG)(GLD)

- 1BU WTR HTR TKLS W/RECIRCUL PUMP
- 53K WTR HTR-10GAL/ELECTRIC/LPGAS
- 14C FIREPLACE-ELECTRIC
- 14A FIREPLACE-ELECTRIC WITHOUT
- 265 CODES/STANDARDS-CSA/CMVSS
- 1B1 CODES/STANDARDS USA

3 BLACKEN OUT FIREPLACE WITH OPTION 14A

2. REMOVE 400MM FROM OUTER JACKET ON ALL WIRES ENTERING LOAD CENTER AND TRIM INDIVIDUAL CONDUCTORS AS REQUIRED TO MAKE INTERNAL CONNECTIONS

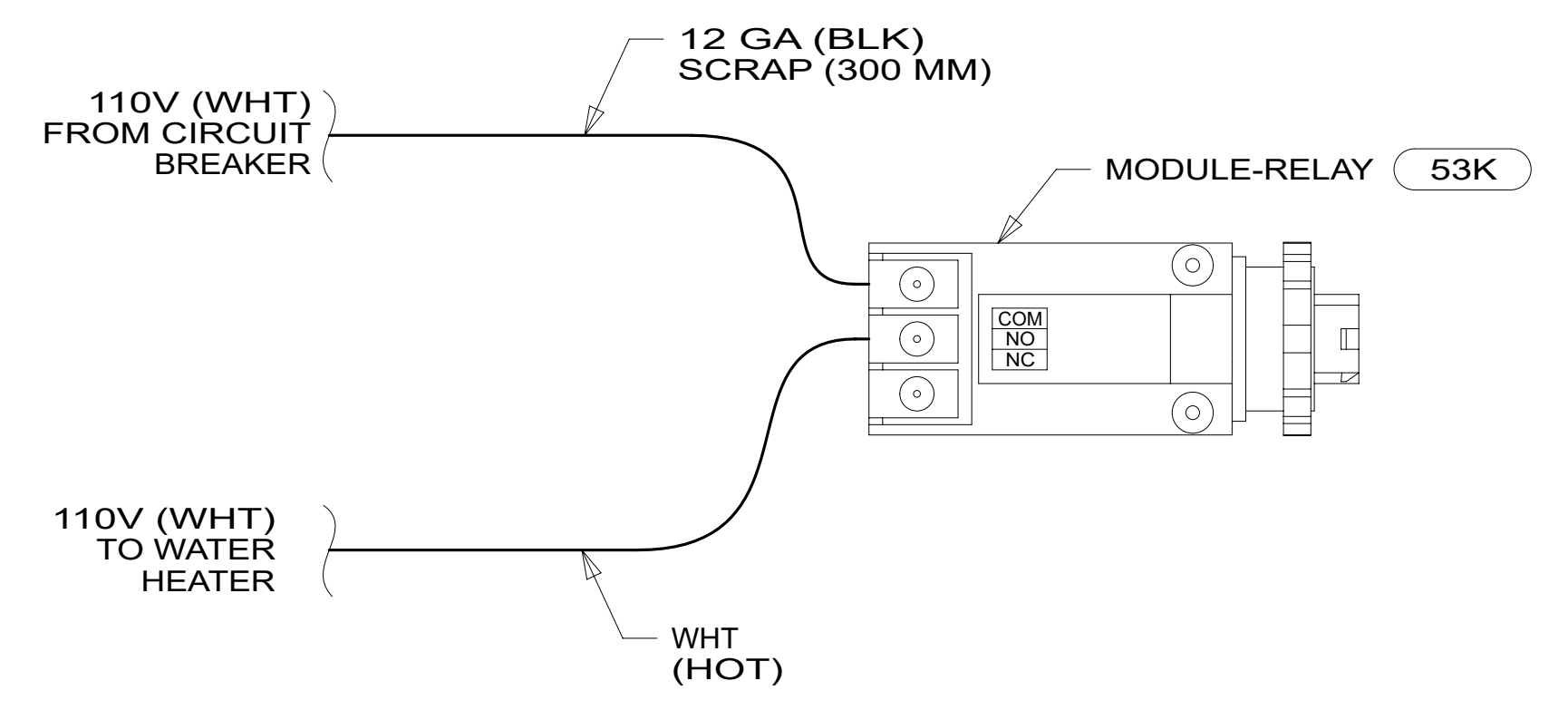
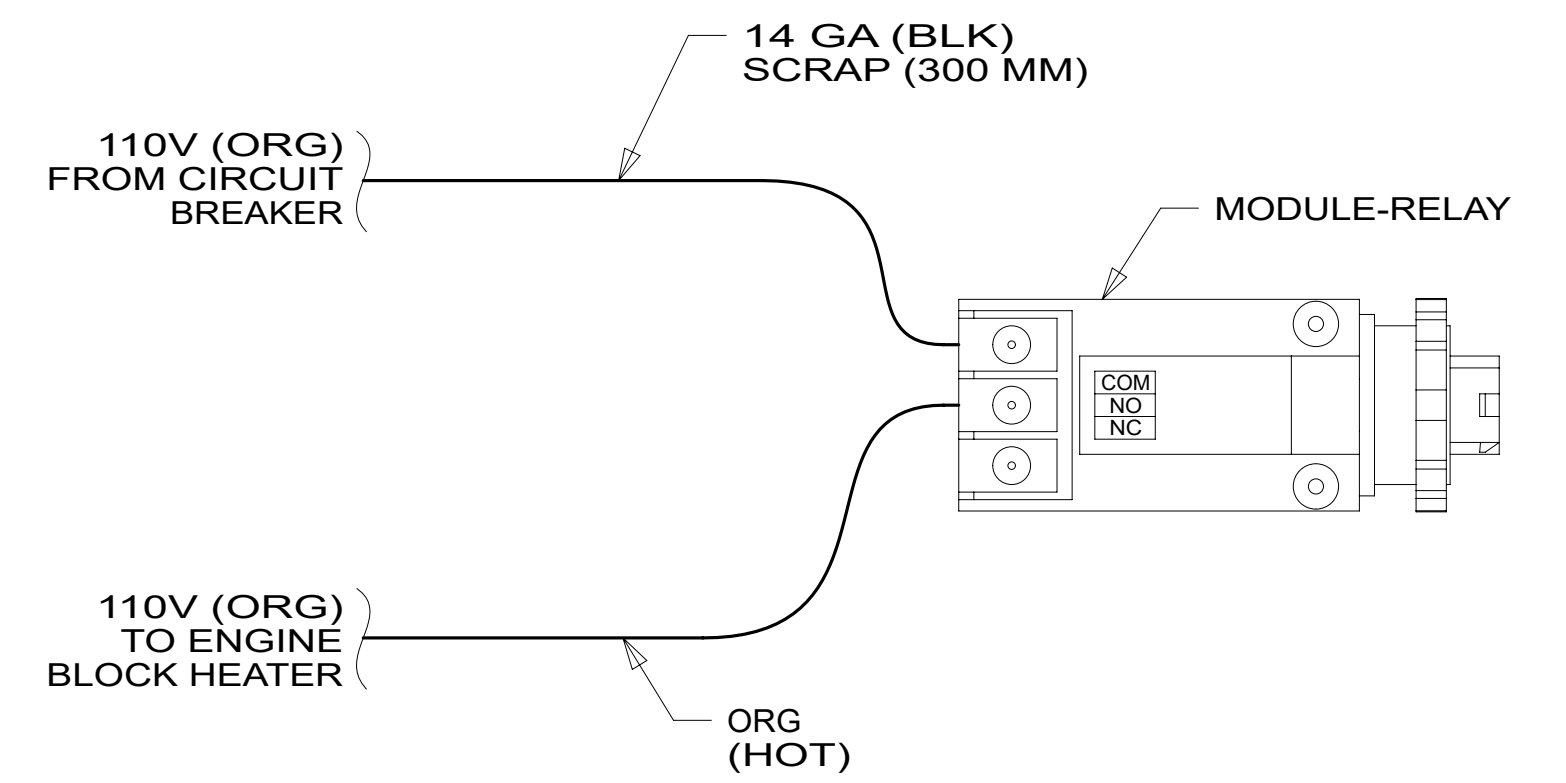
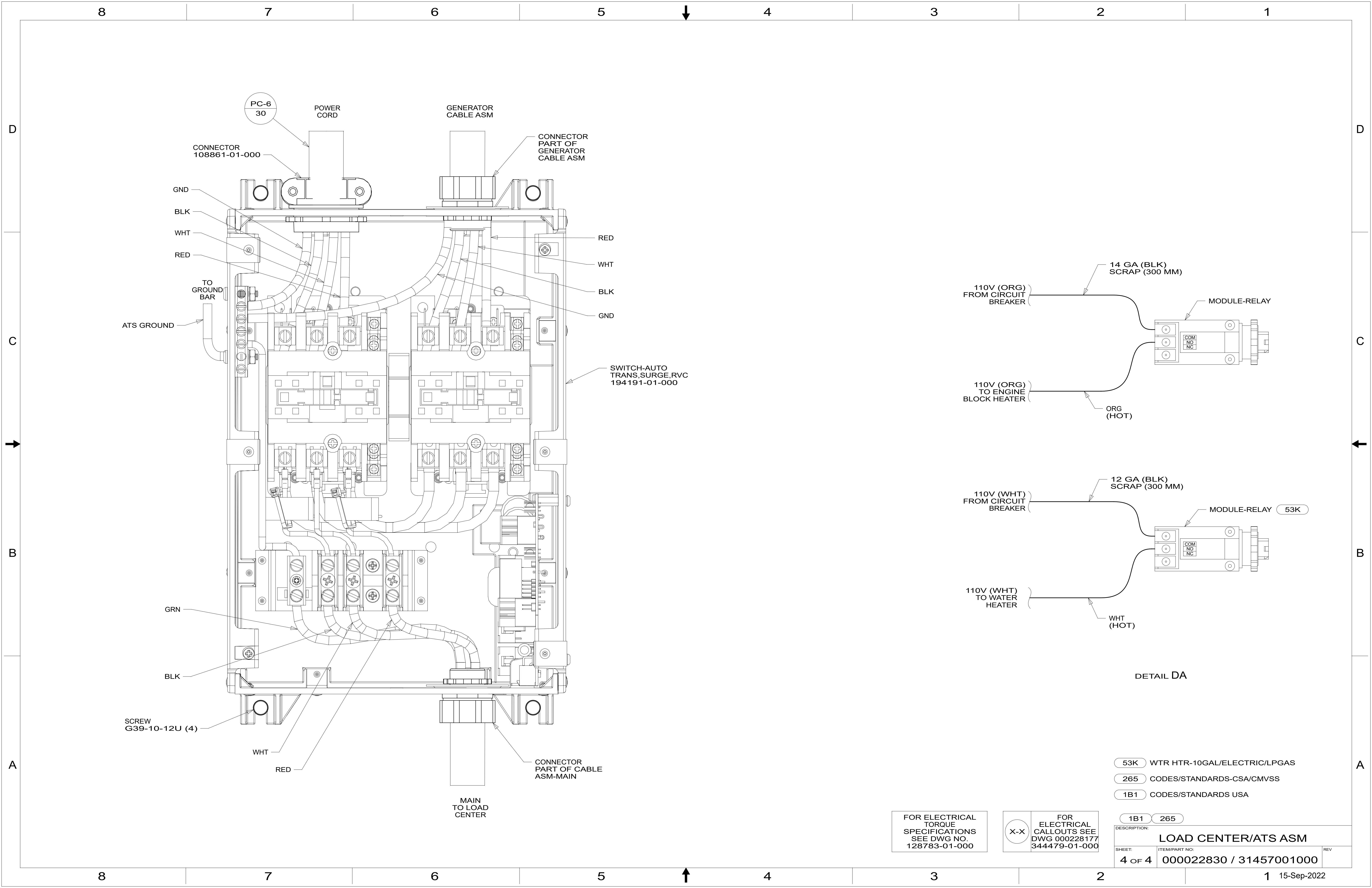
1. ALL GROUND WIRES TO BE COVERED WITH TUBING 8041-02-000.

NOTES:

FOR ELECTRICAL TORQUE SPECIFICATIONS SEE DWG NO. 128783-01-000

FOR ELECTRICAL CALLOUTS SEE DWG 000228177 344479-01-000

DESCRIPTION:	1B1 265
LOAD CENTER/ATS ASM	
SHEET:	ITEM/PART NO:
3 OF 4	000022830 / 31457001000
REV	



DETAIL DA

- 53K WTR HTR-10GAL/ELECTRIC/LPGAS
- 265 CODES/STANDARDS-CSA/CMVSS
- 1B1 CODES/STANDARDS USA

FOR ELECTRICAL TORQUE SPECIFICATIONS SEE DWG NO. 128783-01-000

FOR ELECTRICAL CALLOUTS SEE DWG 000228177 344479-01-000

DESCRIPTION:		1B1	265
<b>LOAD CENTER/ATS ASM</b>			
SHEET:	ITEM/PART NO.:	REV	
4 OF 4	000022830 / 31457001000		