

8 7 6 5 4 3 2 1

D

D

C

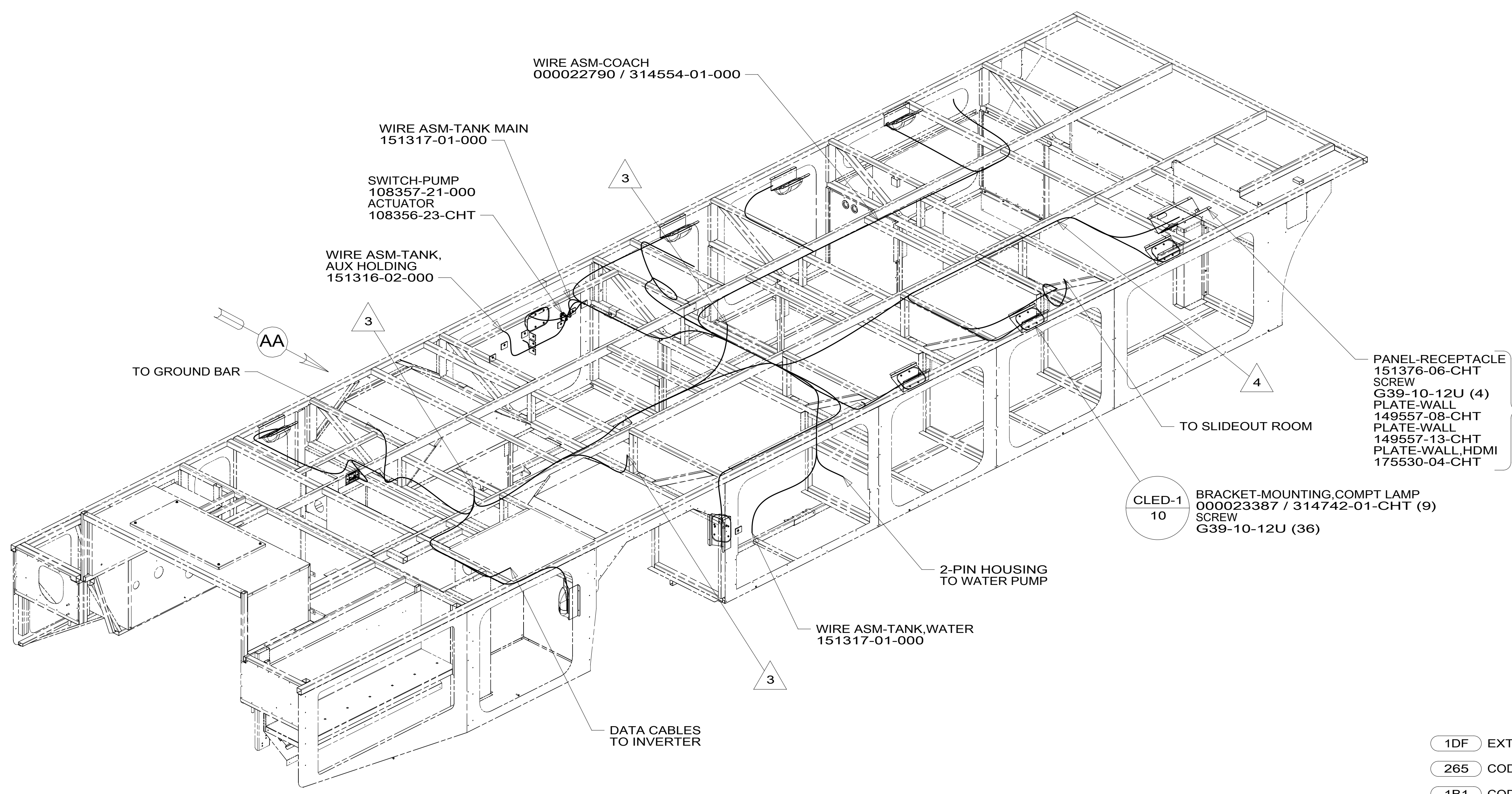
C

B

B

A

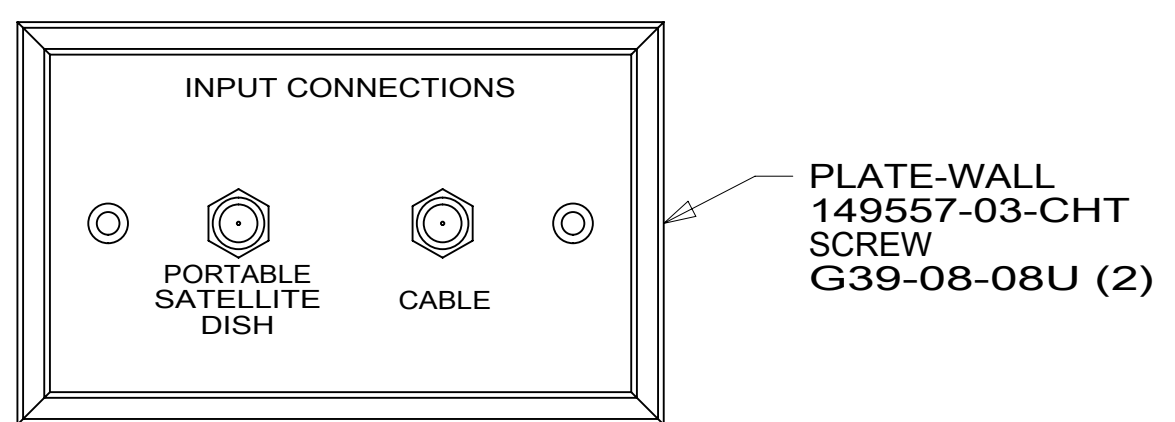
A



- 5 NOT USED WITH 1DF  
ROUTE WIRES INTO SLIDEROOM FOR IN-WALL EXTERIOR TV.
- 4 ROUTE WIRES BELOW FLOOR.
- 3 WIRE PASSES THROUGH FLOOR IN THIS AREA.

2. ROUTE TANK SENSOR WIRES SO THEY DO NOT PASS OVER SENSORS. USE WIRE TIE MOUNT 155366-01-000 AND WIRE TIE 8343-01-000 AS NEEDED. TANK SURFACE MUST BE CLEANED USING ISOPROPYL ALCOHOL AND PRIMED WITH PRIMER 94.
1. AT MINIMUM ALL WIRES TO BE SUPPORTED AND SECURED PER CODE REQUIREMENTS. USE CLAMP 10495 OR 10497 OR WIRE TIE 8343 OR 108046 AND SCREW G67-XX-XXX OR G56-XX-XXX AS APPROPRIATE FOR INSTALLATION.

NOTES:



VIEW AA

FOR ELECTRICAL TORQUE SPECIFICATIONS SEE DWG NO. 128783-01-000

FOR ELECTRICAL CALLOUTS SEE DWG NO. 121339-01-000

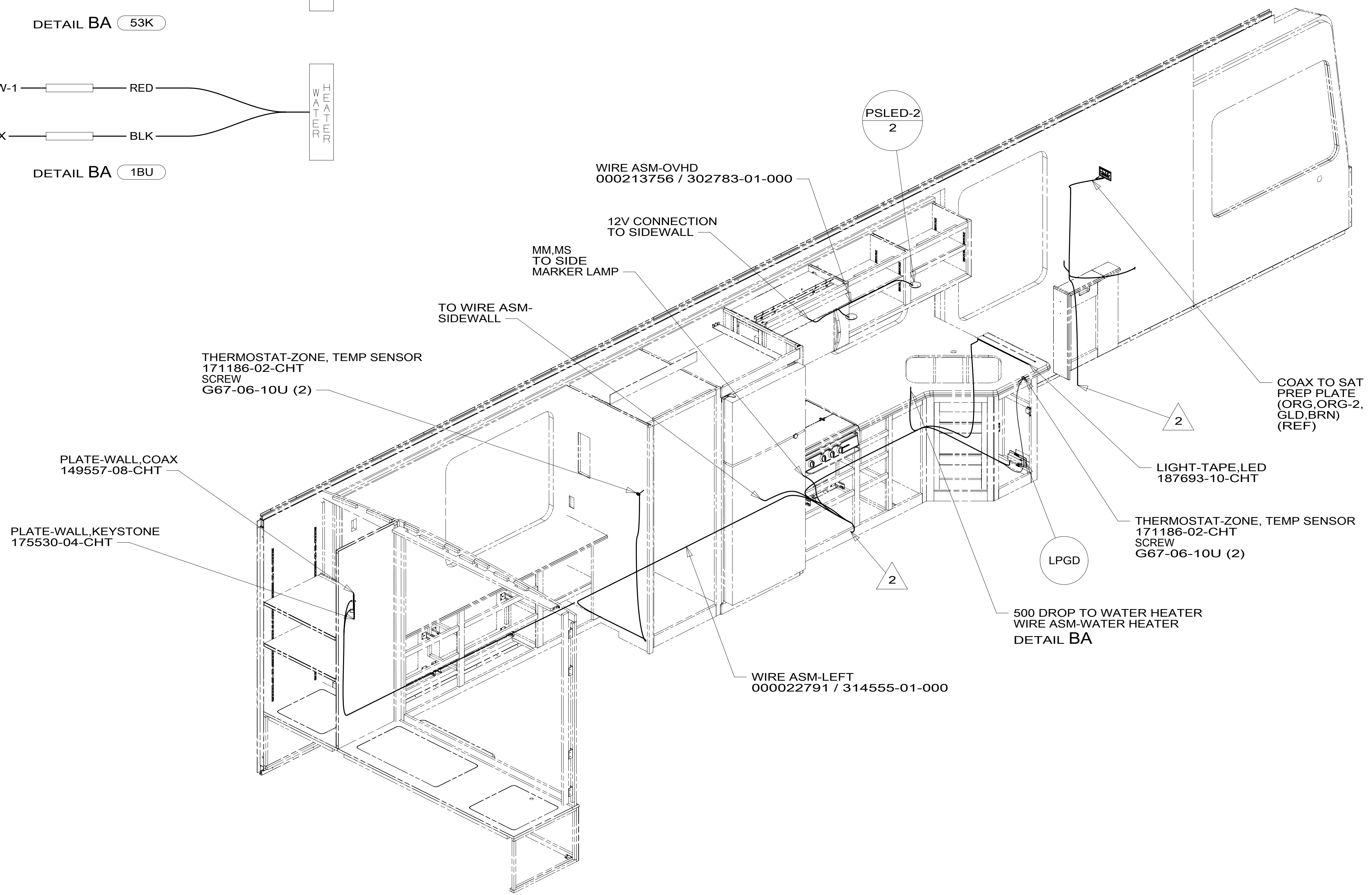
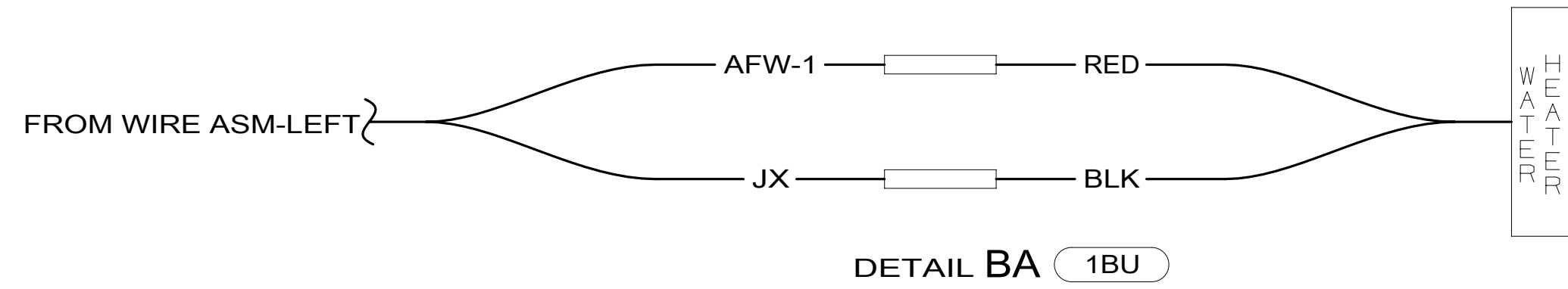
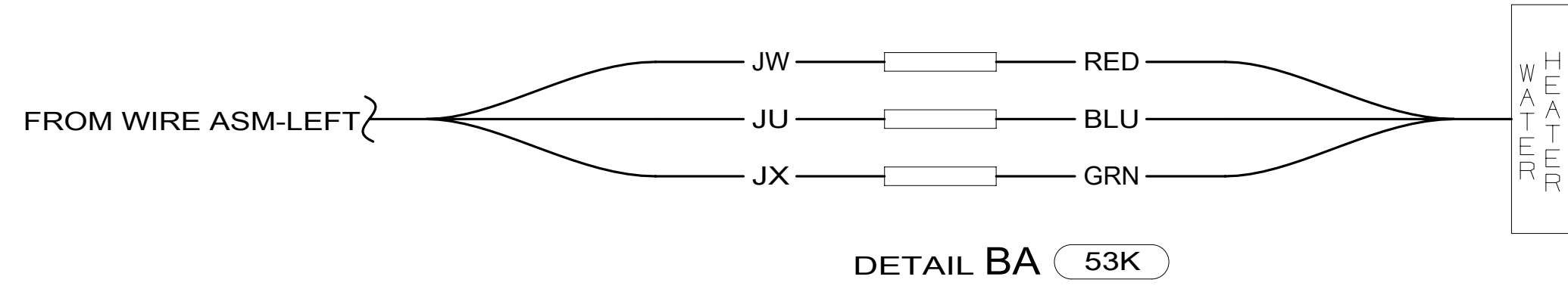
- 1DF EXT TV ENTERTAINMENT CENTER
- 265 CODES/STANDARDS-CSA/CMVSS
- 1B1 CODES/STANDARDS USA

**WINNEBAGO**  
COPYRIGHT 2016 WINNEBAGO INDUSTRIES, INC.

DSNR:	ALL DIMENSIONS ARE IN MILLIMETERS
DFFR:	
UNSPECIFIED TOLERANCES:	MATERIAL:
WHOLE DIM (X) : 3	
ONE-PLACE (X.X) : 1.5	
TWO-PLACE (X.XX) : 0.50	
ANGLE : 1°	
REFER TO ES0018 FOR FASTENER TIGHTENING GUIDELINES	WEIGHT: (LBS) FIRST USED: <b>17 L36G</b>
<b>DESCRIPTION:</b> <b>WIRING INSTL-BODY, 12V</b>	
SHEET: <b>1 OF 8</b>	ITEM/PART NO.: <b>000022818 / 31456501000</b>
REF:	REV:

8 7 6 5 4 3 2 1 16-Jan-2017

8 7 6 5 4 3 2 1



2 WIRE PASSES THROUGH FLOOR IN THIS AREA.

1. AT MINIMUM ALL WIRES TO BE SUPPORTED AND SECURED PER CODE REQUIREMENTS. USE CLAMP 10495 OR 10497 OR WIRE TIE 8343 OR 108046 AND SCREW G67-XX-XXX OR G56-XX-XXX AS APPROPRIATE FOR INSTALLATION.

NOTES:

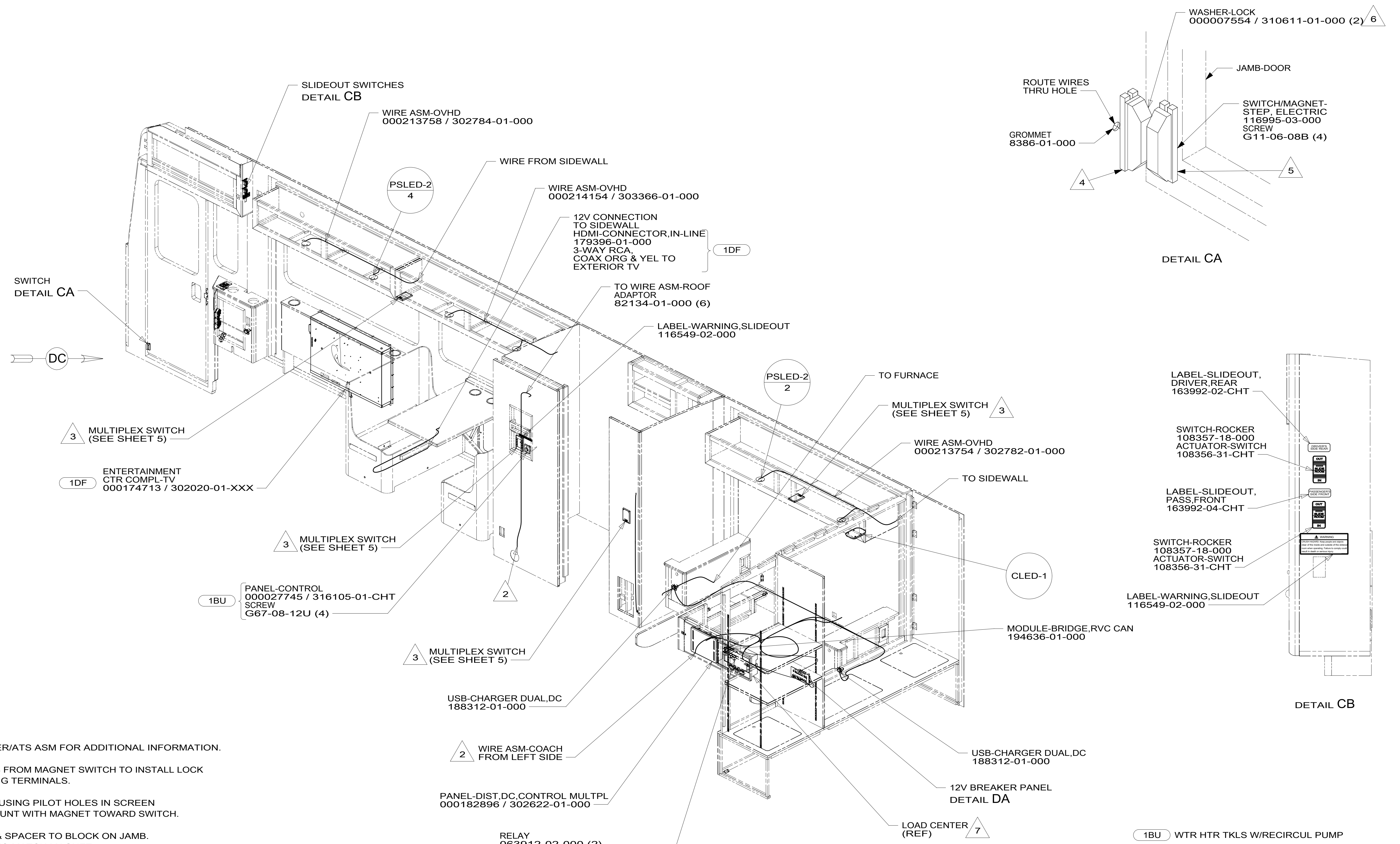
- 1BU WTR HTR TKLS W/RECIRCUL PUMP
- 53K WTR HTR-10GAL/ELECTRIC/LPGAS
- 265 CODES/STANDARDS-CSA/CMVSS
- 1B1 CODES/STANDARDS USA

FOR ELECTRICAL TORQUE SPECIFICATIONS SEE DWG NO. 128783-01-000

FOR ELECTRICAL CALLOUTS SEE DWG NO. 121339-01-000

DESCRIPTION: 1B1 265		
<b>WIRING INSTL-BODY, 12V</b>		
SHEET: 2 OF 8	ITEM/PART NO: 000022818 / 31456501000	REV:

8 7 6 5 4 3 2 1 16-Jan-2017



- 7 SEE LOAD CENTER/ATS ASM FOR ADDITIONAL INFORMATION.
  - 6 REMOVE SCREWS FROM MAGNET SWITCH TO INSTALL LOCK WASHER AND RING TERMINALS.
  - 5 MOUNT MAGNET USING PILOT HOLES IN SCREEN DOOR FRAME, MOUNT WITH MAGNET TOWARD SWITCH.
  - 4 MOUNT SWITCH & SPACER TO BLOCK ON JAMB. ADJUST HEIGHT TO MATCH MAGNET.
  - 3 USE KIT-SWITCH PANELS, MULTIPLEX 000032530 / 317222-01-000.
  - 2 WIRE ROUTES BELOW FLOOR IN THIS AREA.
1. AT MINIMUM ALL WIRES TO BE SUPPORTED AND SECURED PER CODE REQUIREMENTS. USE CLAMP 10495 OR 10497 OR WIRE TIE 8343 OR 108046 AND SCREW G67-XX-XXX OR G56-XX-XXX AS APPROPRIATE FOR INSTALLATION.

NOTES:

FOR ELECTRICAL TORQUE SPECIFICATIONS SEE DWG NO. 128783-01-000

FOR ELECTRICAL CALLOUTS SEE DWG NO. 121339-01-000

- 1BU WTR HTR TKLS W/RECIRCUL PUMP
- 1DF EXT TV ENTERTAINMENT CENTER
- 265 CODES/STANDARDS-CSA/CMVSS
- 1B1 CODES/STANDARDS USA

DESCRIPTION: <b>WIRING INSTL-BODY, 12V</b>	
SHEET: <b>3 OF 8</b>	ITEM/PART NO.: <b>000022818 / 31456501000</b>
REV <b>16-Jan-2017</b>	

8 7 6 5 4 3 2 1

CIRCUIT BREAKER  
93654-02-000 (8)  
(15 AMP)  
SCREW  
G52-06-04U (8)  
WASHER  
OME02B-04-071 (8)

**HOUSE 12V CIRCUIT BREAKERS**  
(PUSH TO RESET)

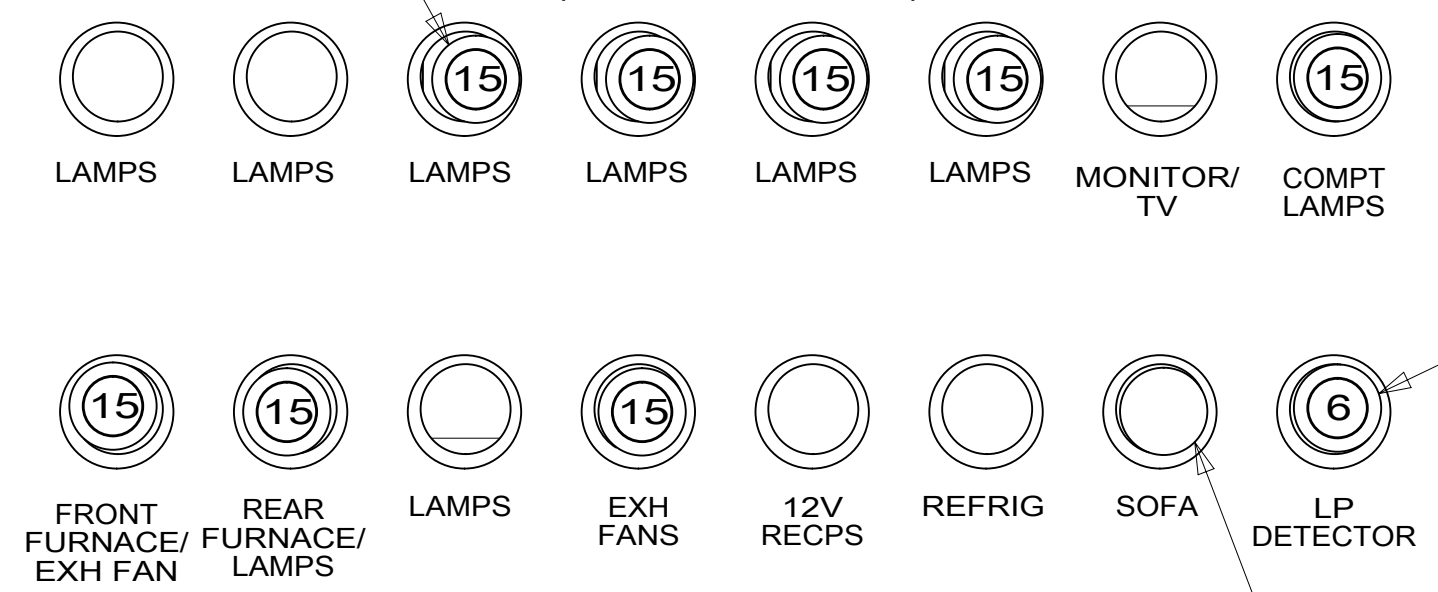
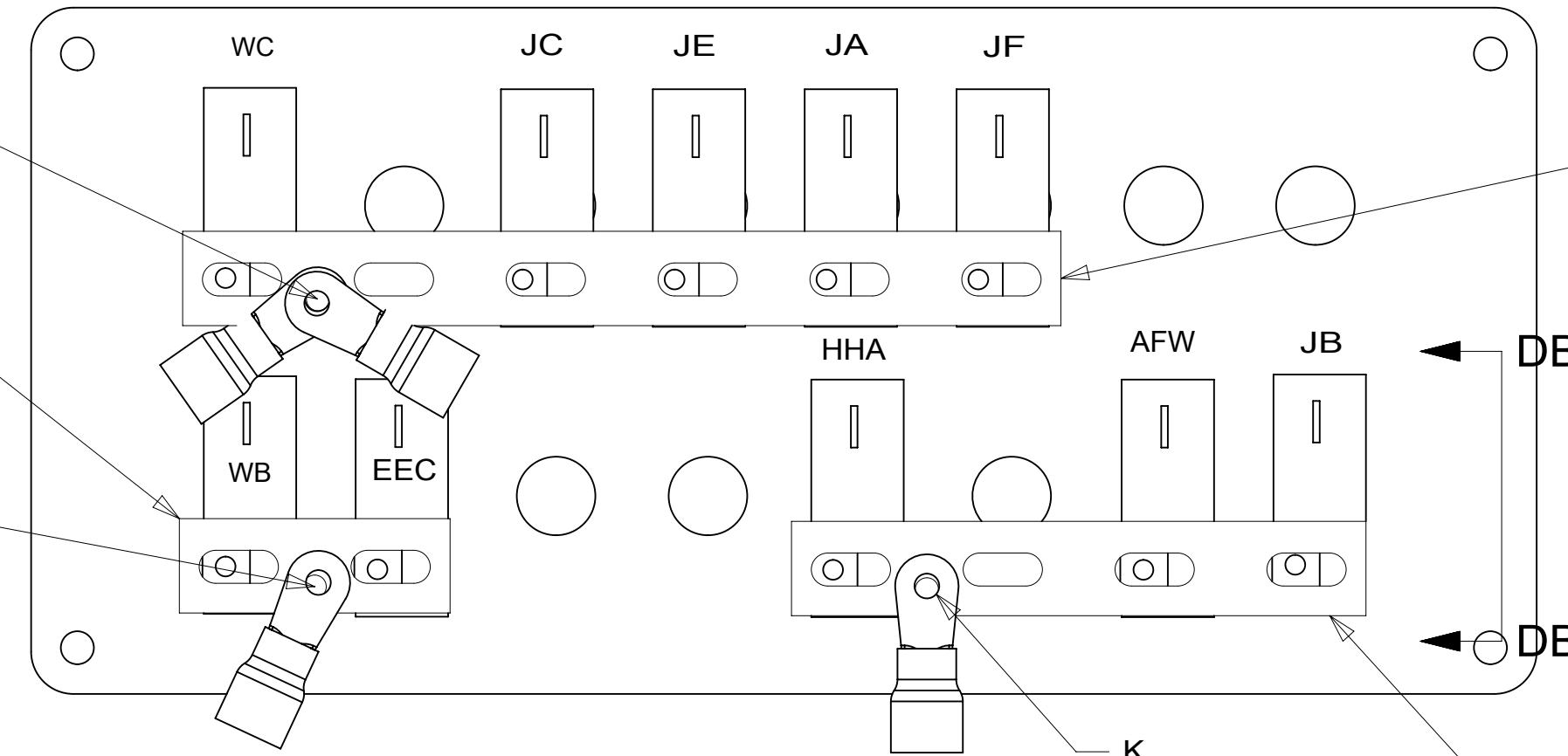


PLATE  
139067-05-CHT  
LABEL  
92547-13-000  
SCREW  
G11-10-12U (4)

CIRCUIT BREAKER  
93654-01-000  
(6 AMP)  
SCREW  
G52-06-04U  
WASHER  
OME02B-04-071

CIRCUIT BREAKER  
182283-01-000  
(20 AMP)  
SCREW  
G52-06-04U  
WASHER  
OME02B-04-071

DETAIL DA  
(FRONT VIEW)



J  
6 BLK  
FROM WIRE  
ASM-CHASSIS  
SCREW  
G39-08-06U

BUSS BAR  
141744-01-000  
SCREW  
G39-08-06U

J-1  
6 BLK  
(FROM WIRE  
ASM-CHASSIS)

BUSS BAR  
141744-05-000  
SCREW  
G39-08-06U

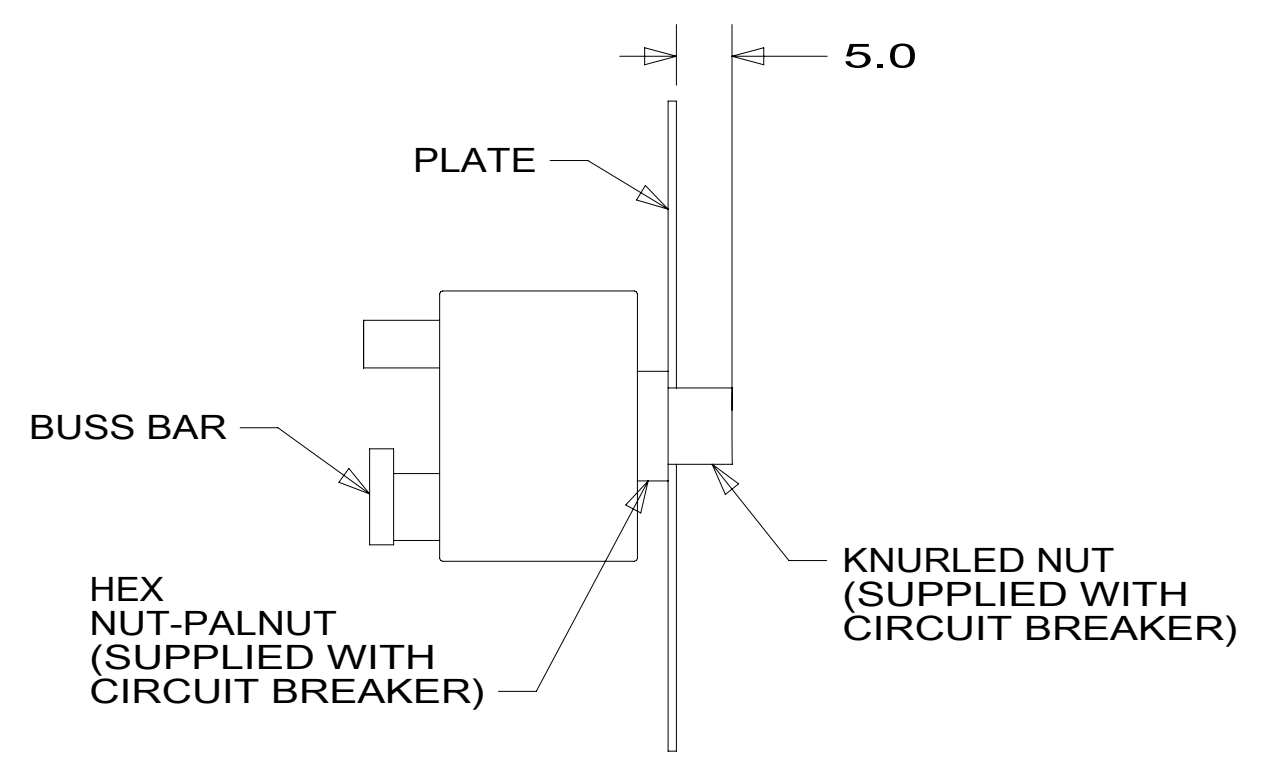
DB

DB

K  
6 BLK  
FROM WIRE  
ASM-CHASSIS  
SCREW  
G39-08-06U

BUSS BAR  
141744-03-000  
SCREW  
G39-08-06U

DETAIL DA  
(BACK VIEW)



VIEW DB-DB

PLATE-SWITCH  
176859-10-CHT  
SCREW  
G11-10-12U (4)  
PANEL-SWITCH  
MOUNTING,3-WAY  
174834-01-CHT (2)

SWITCH-STEP COVER  
174757-08-CHT

SWITCH-DOME LIGHT  
145638-04-CHT

1 MULTIPLEX-SWITCH  
(SEE SHEET 5)

SWITCH-PATIO  
AWNING CONTROL  
174757-03-CHT

SWITCH-AWNING POWER  
174757-19-CHT

SWITCH-BLANK  
145754-01-CHT

SWITCH-BLANK  
145754-01-CHT

SWITCH-AUTO LEVEL  
174757-04-CHT

SWITCH-CHASSIS  
BATT DISC  
174757-06-CHT  
WIRE ASM-THERM  
186796-01-000

SWITCH-ENTRY STEP  
174757-27-CHT

SWITCH-COACH  
BATT DISC  
174757-07-CHT  
WIRE ASM-THERM  
186796-01-000

DETAIL DC

PLATE-SWITCH  
000210580 / 303169-01-CHT  
SCREW  
G11-10-12U (6)

RELAYS  
(AWNING IGNITION LOCKOUT,  
PATIO AWNING)  
063912-02-000 (3)  
SCREW  
G11-08-08U (3)

SWITCH-DOOR AWNING  
174757-09-CHT

USB-CHARGER DUAL,DC  
188312-01-000

PANEL-SWITCH  
MOUNTING,3-WAY  
174834-02-CHT

PANEL-SWITCH  
MOUNTING,3-WAY  
174834-02-CHT

- 15L RESIDENTIAL REFRIGERATOR PKG
- 79W REFRIGERATOR-4 DOOR
- 265 CODES/STANDARDS-CSA/CMVSS
- 1B1 CODES/STANDARDS USA

1B1 265

**WIRING INSTL-BODY, 12V**

DESCRIPTION:  
SHEET: 4 OF 8 ITEM/PART NO: 000022818 / 31456501000 REV

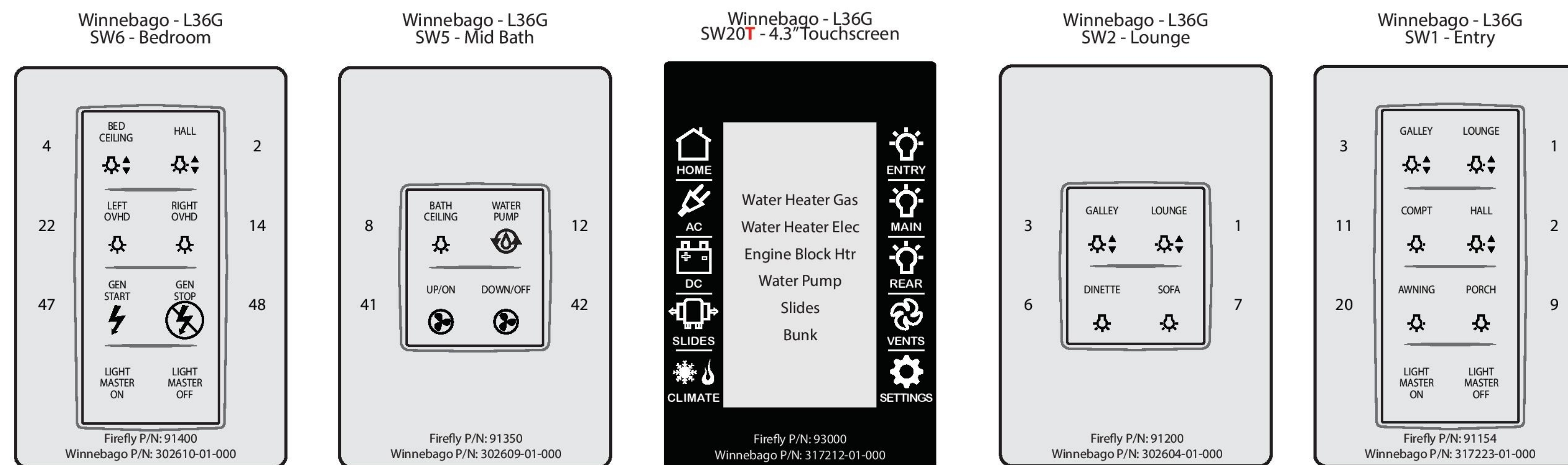
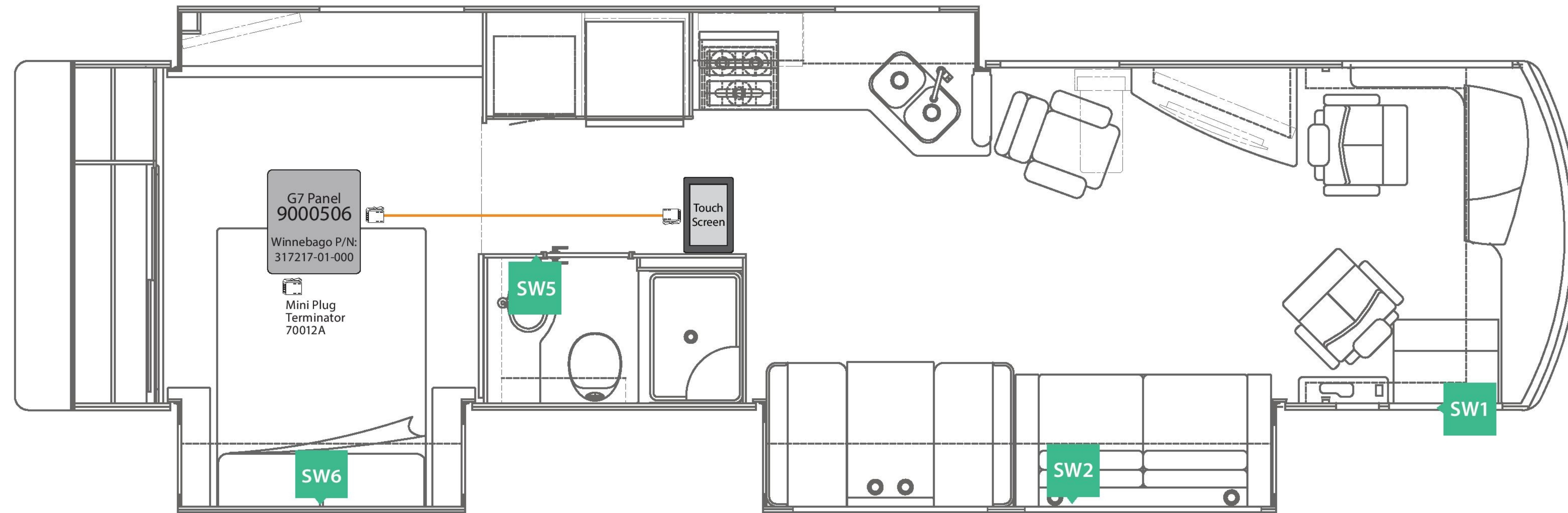
FOR ELECTRICAL  
TORQUE  
SPECIFICATIONS  
SEE DWG NO.  
128783-01-000

X-X  
FOR ELECTRICAL  
CALLOUTS  
SEE DWG NO.  
121339-01-000

1 USE KIT # 000032530 / 317222-01-000.

NOTES:

8 7 6 5 4 3 2 1 16-Jan-2017

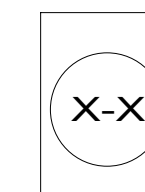


KIT\*: Firefly P/N: 90851AB  
 Winnebago P/N: 317222-01-000  
 \* Kits may not include all components shown on print.

<b>WINNEBAGO - L36G - V2</b>			DI: AD	<b>Network Legend</b>	
Network Wiring Diagram and Switch Panel Layout			PI: AD		
SSP-17 & 4.3" Screen (6v9)	Rev. 1v1	09/22/16		Trunk Cable	
				Drop Cable	
				Switch Position	

NOTES:  
 1. ALL SWITCH PANELS ARE PART OF KIT # 000032530 / 317222-01-000.

FOR ELECTRICAL TORQUE SPECIFICATIONS SEE DWG NO. 128783-01-000



FOR ELECTRICAL CALLOUTS SEE DWG NO. 121339-01-000

265 CODES/STANDARDS-CSA/CMVSS

1B1 CODES/STANDARDS USA

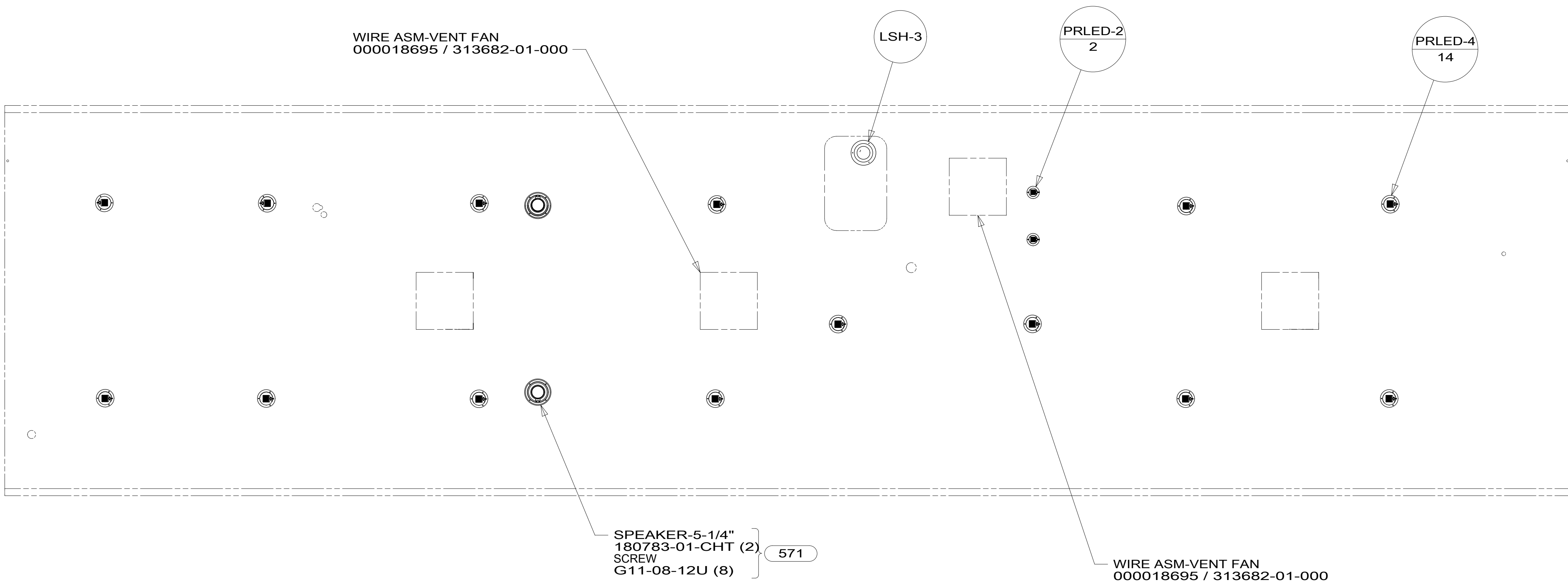
1B1 265

DESCRIPTION:  
**WIRING INSTL-BODY, 12V**

SHEET: 5 OF 8  
 ITEM/PART NO.: 000022818 / 31456501000  
 REV

8 7 6 5 4 3 2 1

D  
C  
B  
A



- 571 RADIO SPEAKERS
- 265 CODES/STANDARDS-CSA/CMVSS
- 1B1 CODES/STANDARDS USA

FOR ELECTRICAL  
TORQUE  
SPECIFICATIONS  
SEE DWG NO.  
128783-01-000

X-X  
FOR  
ELECTRICAL  
CALLOUTS  
SEE DWG NO.  
121339-01-000

DESCRIPTION:		1B1 265	
<b>WIRING INSTL-BODY, 12V</b>			
SHEET:	ITEM/PART NO.:	REV	
6 OF 8	000022818 / 31456501000		

8 7 6 5 4 3 2 1 16-Jan-2017

8

7

6

5

4

3

2

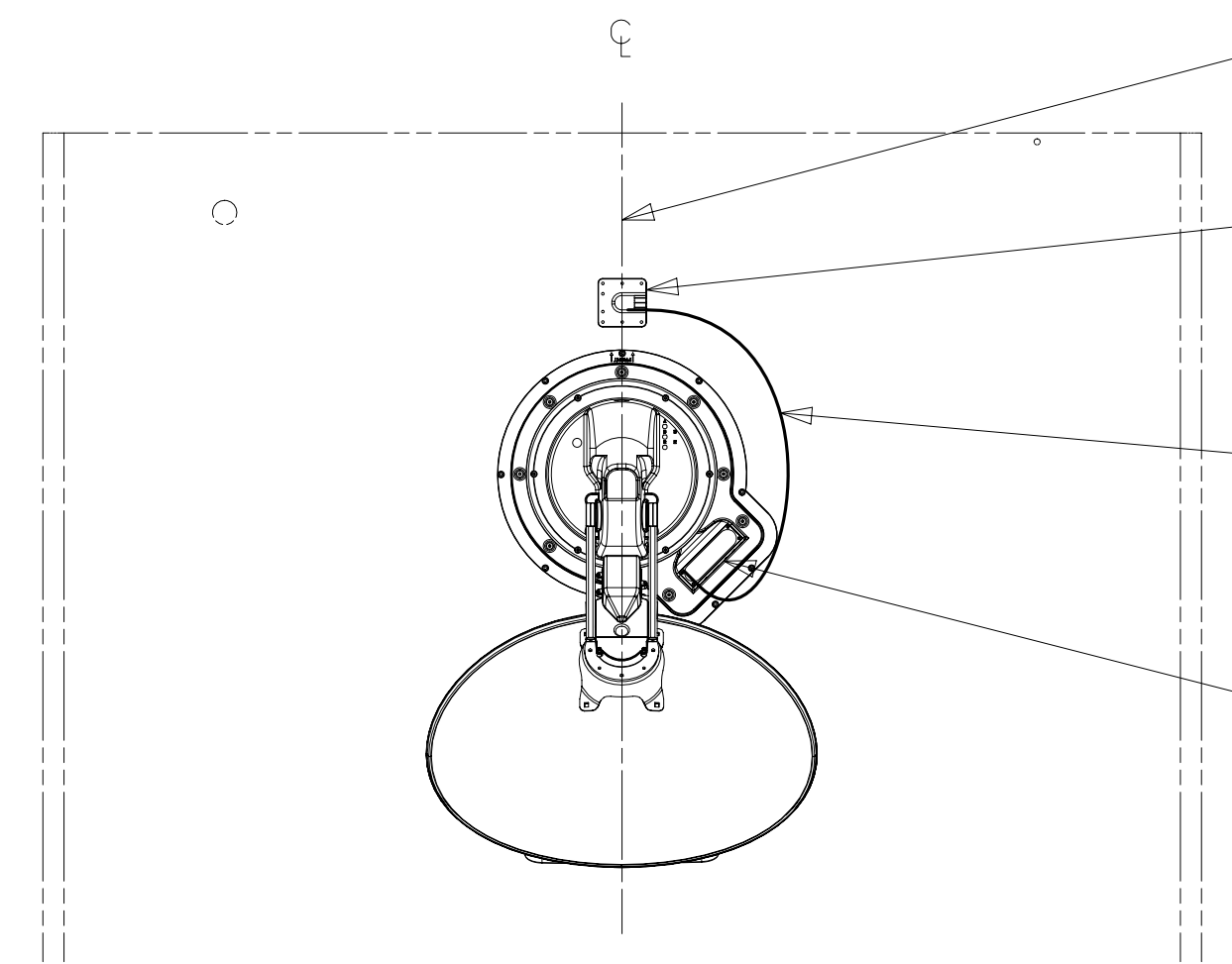
1

THE SATELLITE DISH AND WIRE CONNECTIONS ARE TO BE PLACED ON THE CENTERLINE OF THE MOTORHOME FACING FORWARD.

SEPARATE CABLES AND INSTALL WIRE COVER OVER HOLE IN ROOF ASM WITH CABLES EXITING ON PASSENGERS SIDE.

WHEN APPLYING ROOF SEALANT TO SATELLITE DISH, PLACE ROOF SEALANT HERE (APPROX. 75MM WIDE) AND PUSH THE CABLES INTO THE SEALANT TO STABILIZE THEM.

CONNECT CABLE ASM-COAX FROM ROOF ASM TO COAX CABLES ON SATELLITE DISH AND CONNECT 10' CABLE-DATA FROM ROOF ASM TO DATA CABLE FROM SATELLITE DISH AND PLACE ALL CONNECTIONS BACK INTO ROOF ASM.

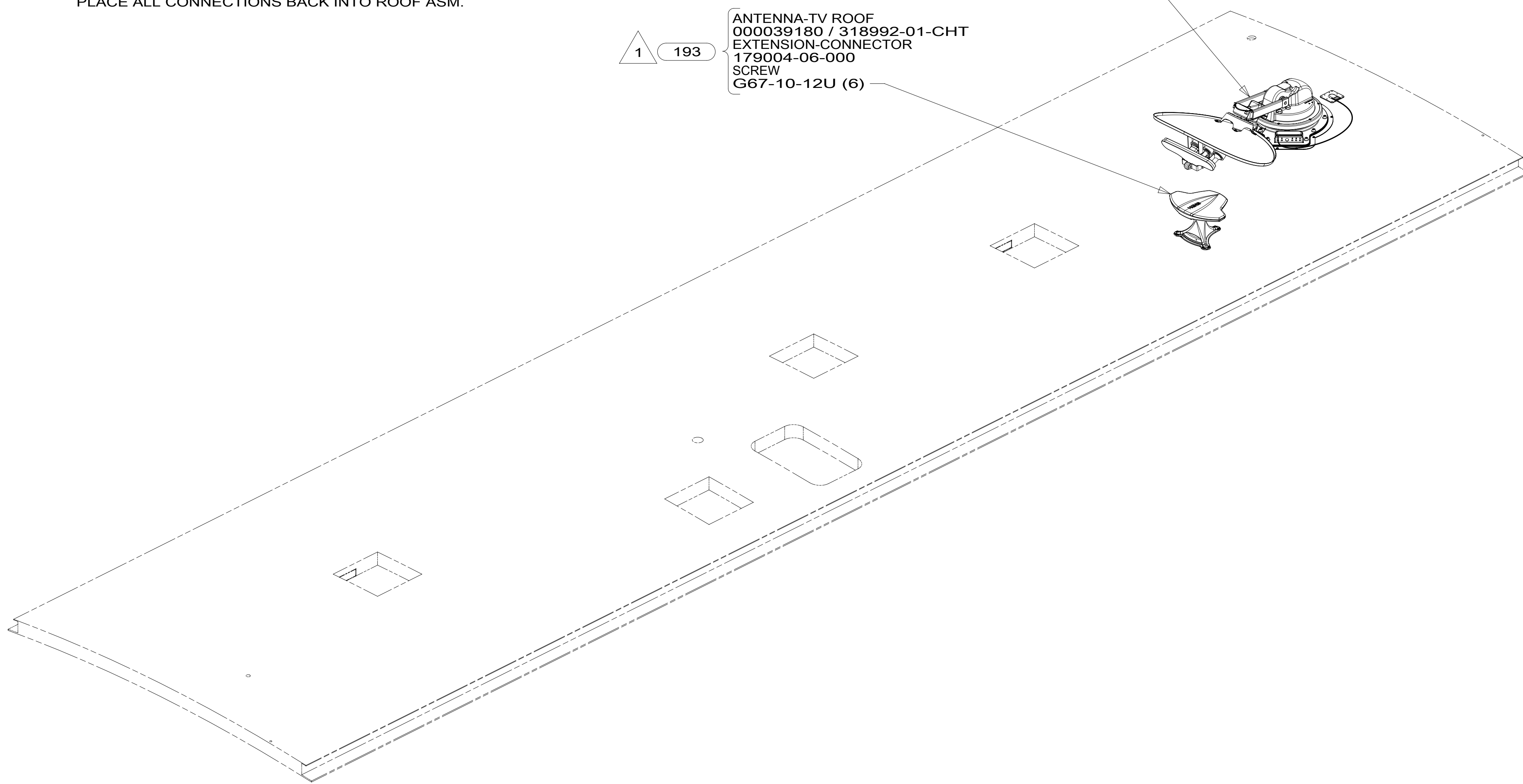


DETAIL GA

1 783 DA-4  
DETAIL GA

1 193

ANTENNA-TV ROOF  
000039180 / 318992-01-CHT  
EXTENSION-CONNECTOR  
179004-06-000  
SCREW  
G67-10-12U (6)



1 SEE MANUFACTURER'S INSTALLATION FOR ADDITIONAL INFORMATION.

NOTES:

FOR ELECTRICAL TORQUE SPECIFICATIONS SEE DWG NO. 128783-01-000

FOR ELECTRICAL CALLOUTS SEE DWG NO. 121339-01-000

- 783 SATELLITE HD TV SYSTEM AUTOC
- 193 TV ANTENNA-AMPLIFIED SYSTEM
- 265 CODES/STANDARDS-CSA/CMVSS
- 1B1 CODES/STANDARDS USA

1B1 265	
DESCRIPTION: <b>WIRING INSTL-BODY, 12V</b>	
SHEET: 7 OF 8	ITEM/PART NO: 000022818 / 31456501000
REV	

8

7

6

5

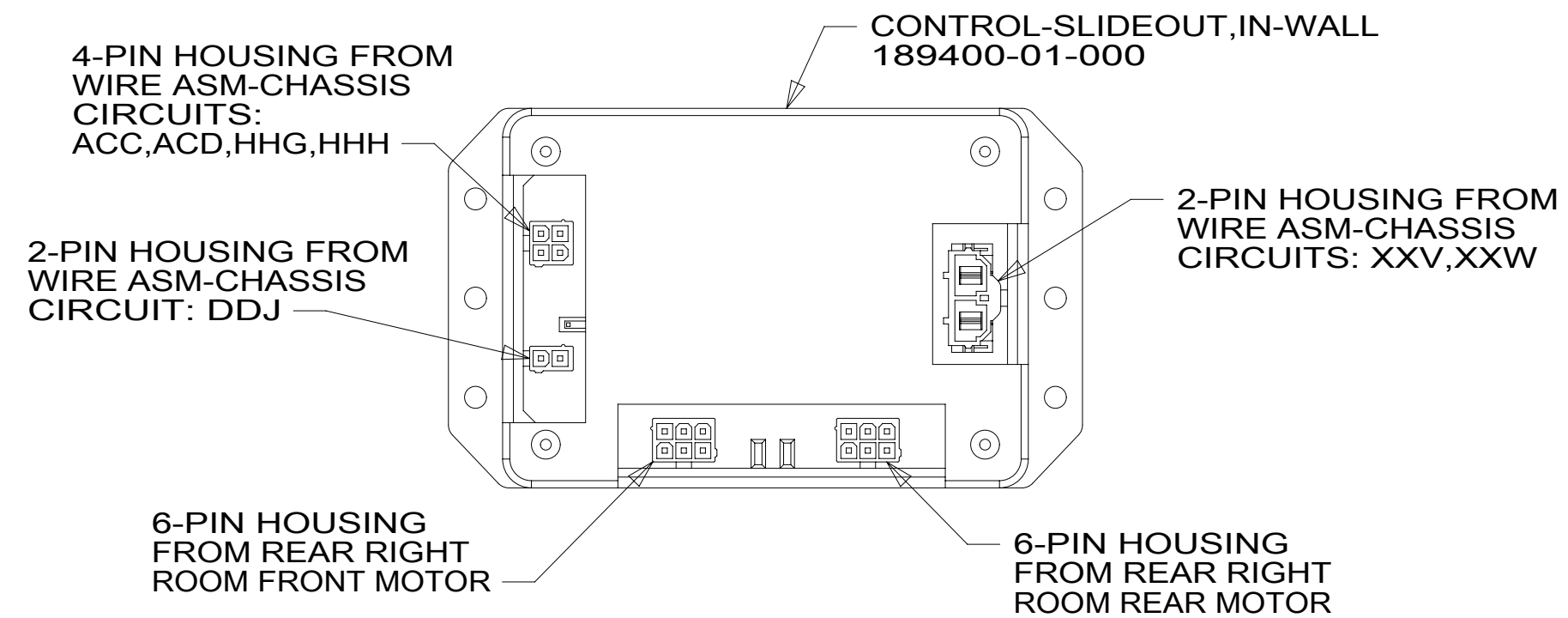
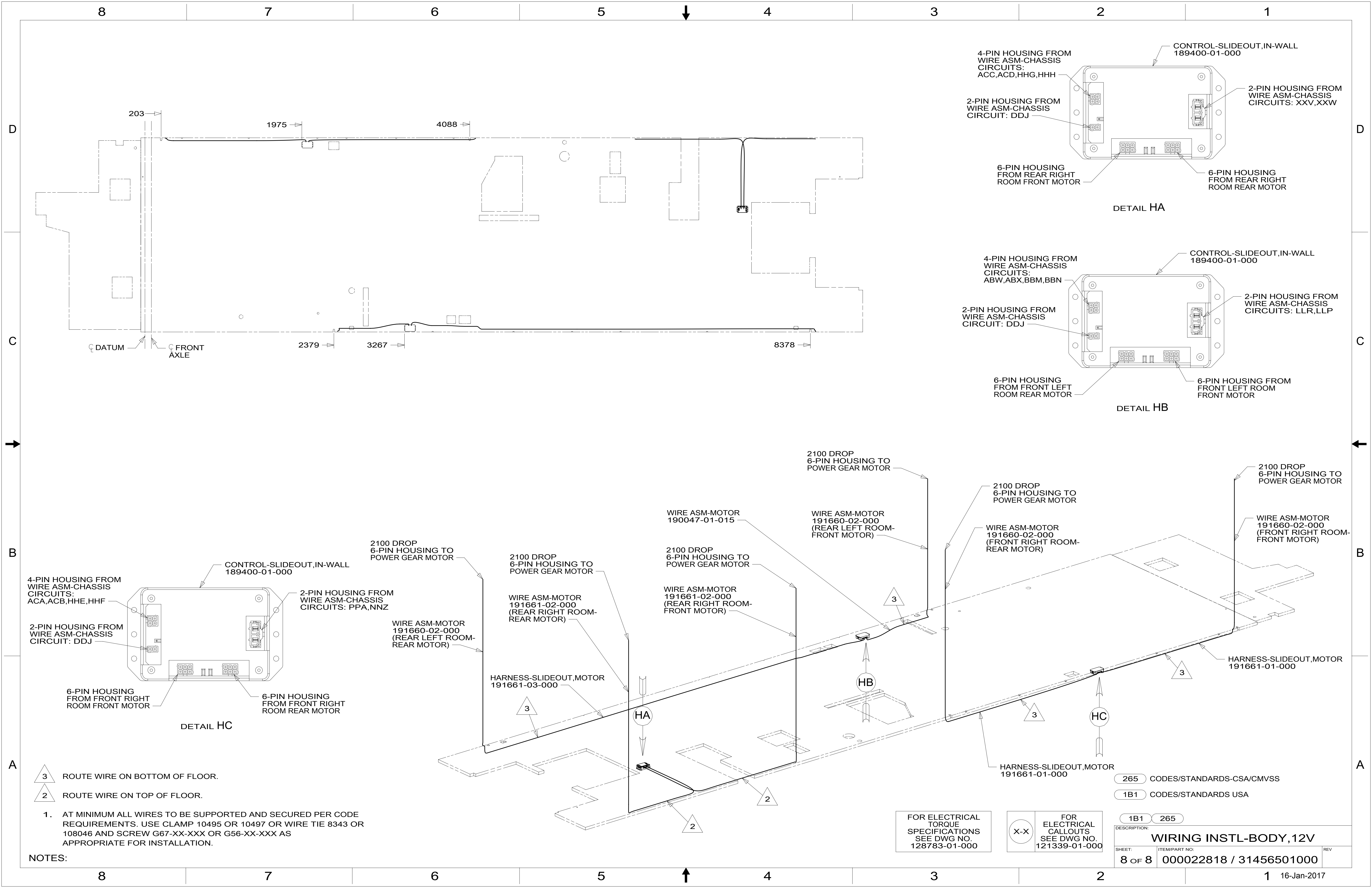
4

3

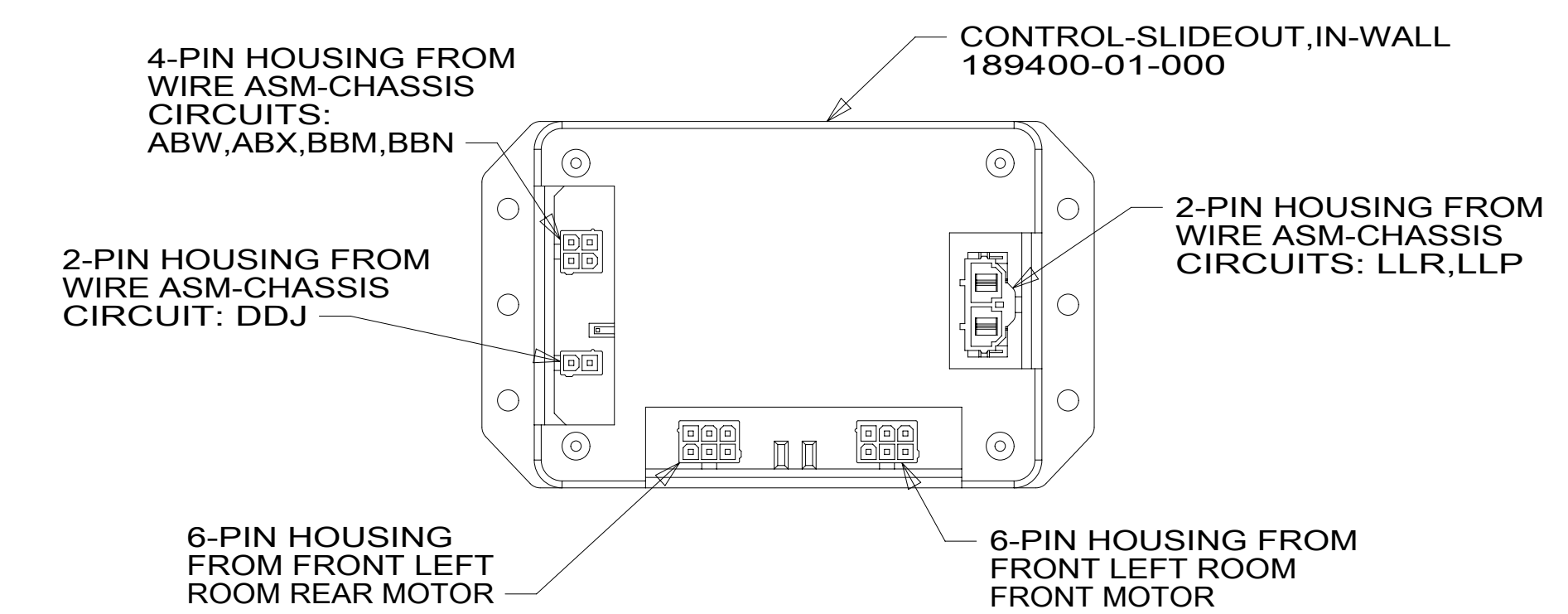
2

1

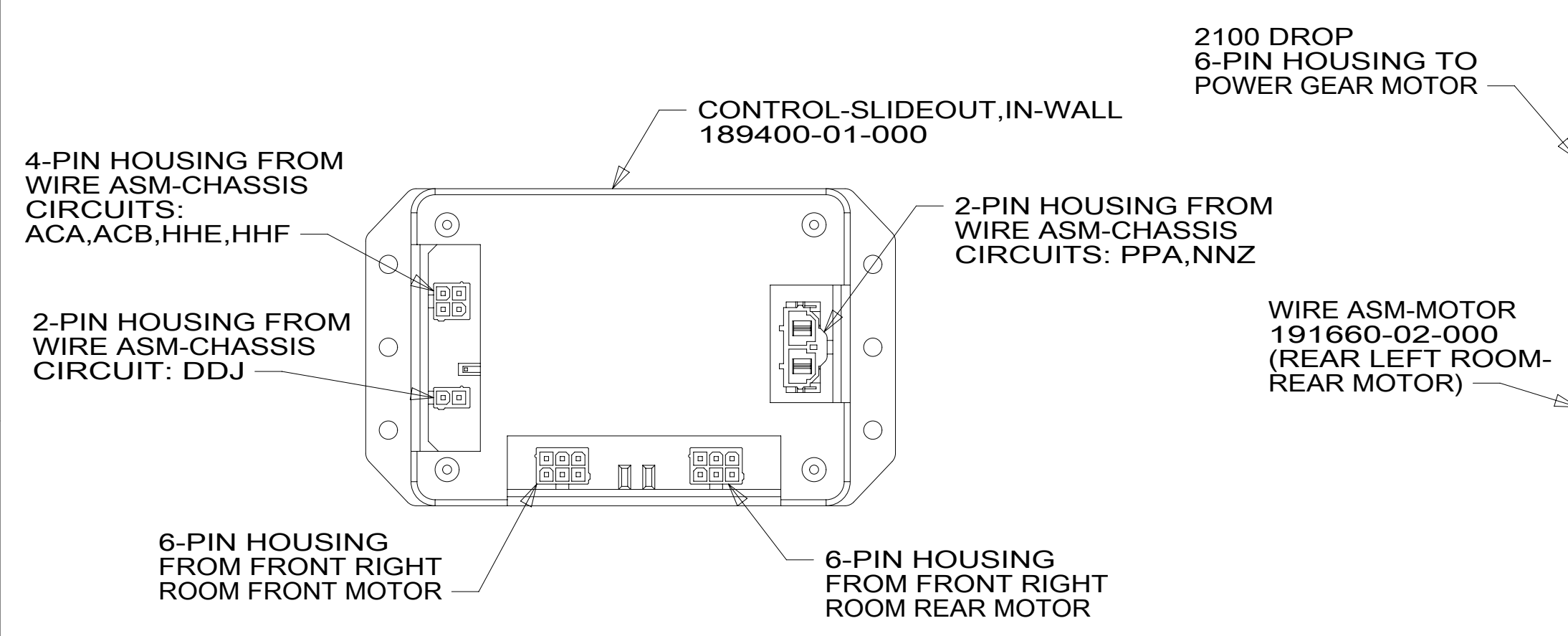
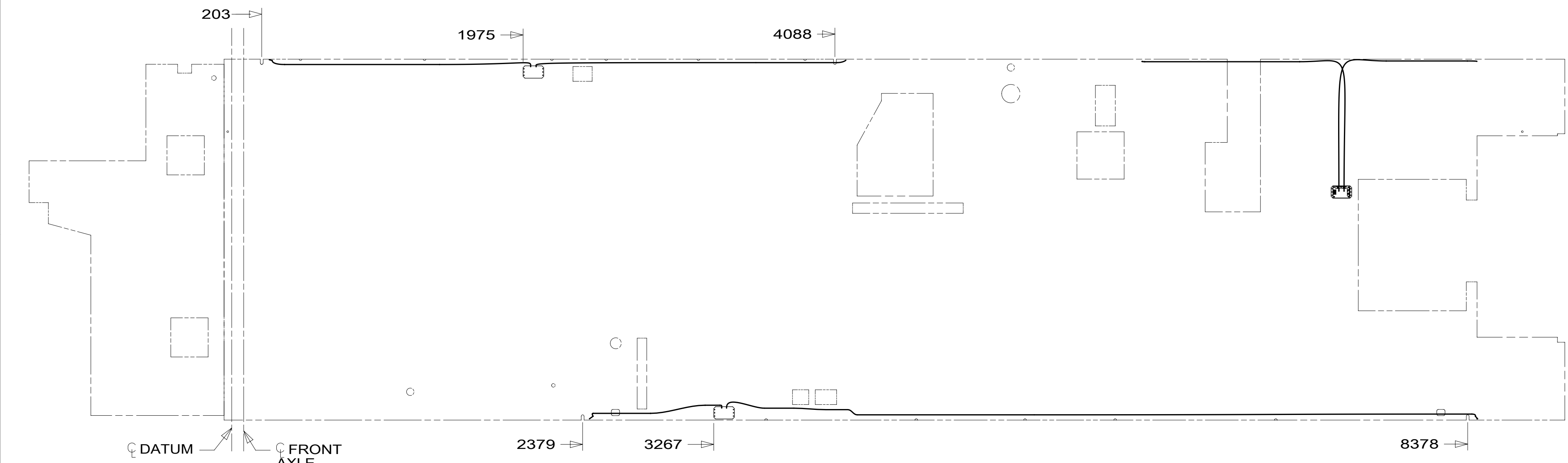
16-Jan-2017



DETAIL HA



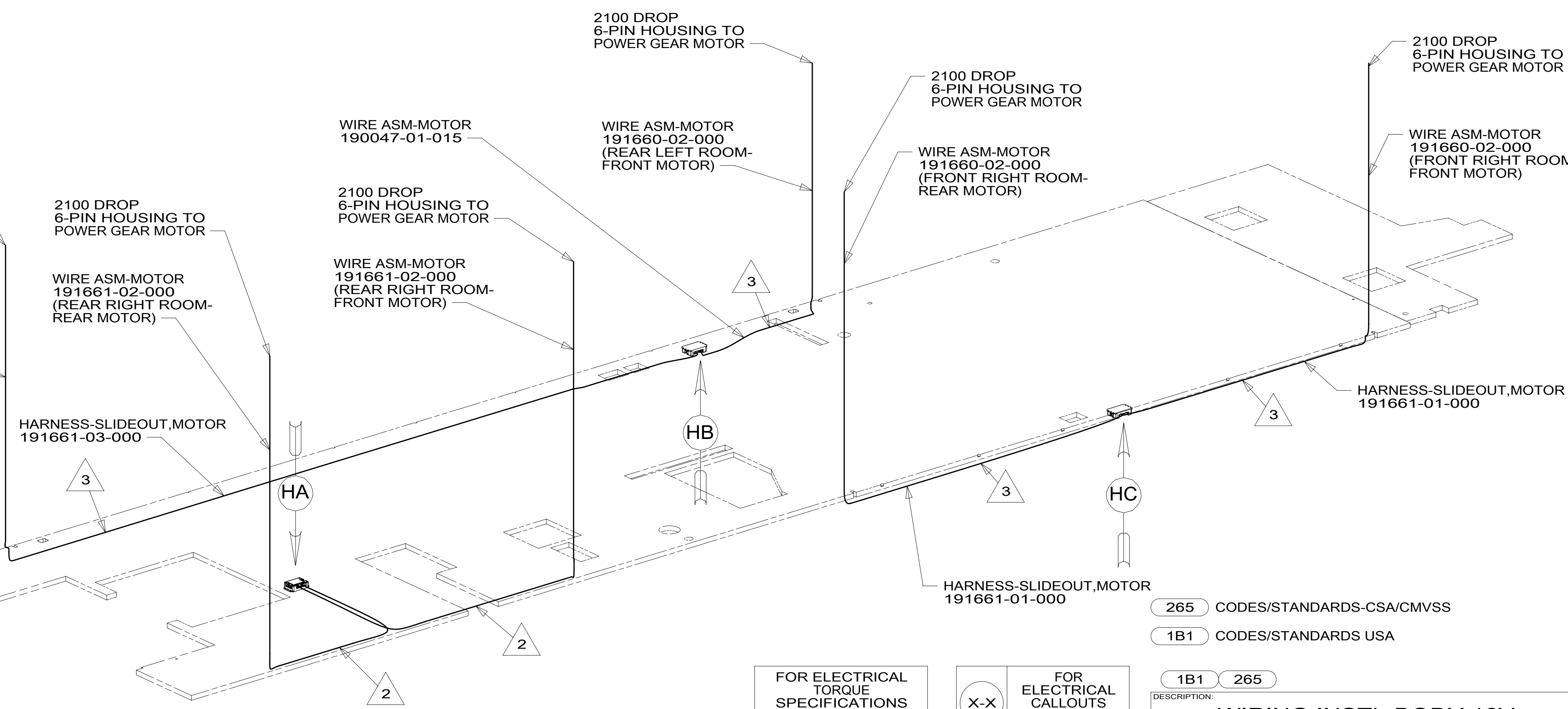
DETAIL HB



DETAIL HC

- 3 ROUTE WIRE ON BOTTOM OF FLOOR.
- 2 ROUTE WIRE ON TOP OF FLOOR.
1. AT MINIMUM ALL WIRES TO BE SUPPORTED AND SECURED PER CODE REQUIREMENTS. USE CLAMP 10495 OR 10497 OR WIRE TIE 8343 OR 108046 AND SCREW G67-XX-XXX OR G56-XX-XXX AS APPROPRIATE FOR INSTALLATION.

NOTES:



FOR ELECTRICAL TORQUE SPECIFICATIONS SEE DWG NO. 128783-01-000

X-X FOR ELECTRICAL CALLOUTS SEE DWG NO. 121339-01-000

265 CODES/STANDARDS-CSA/CMVSS

1B1 CODES/STANDARDS USA

DESCRIPTION:	1B1 265	
<b>WIRING INSTL-BODY, 12V</b>		
SHEET:	ITEM/PART NO.:	REV
8 OF 8	000022818 / 31456501000	