

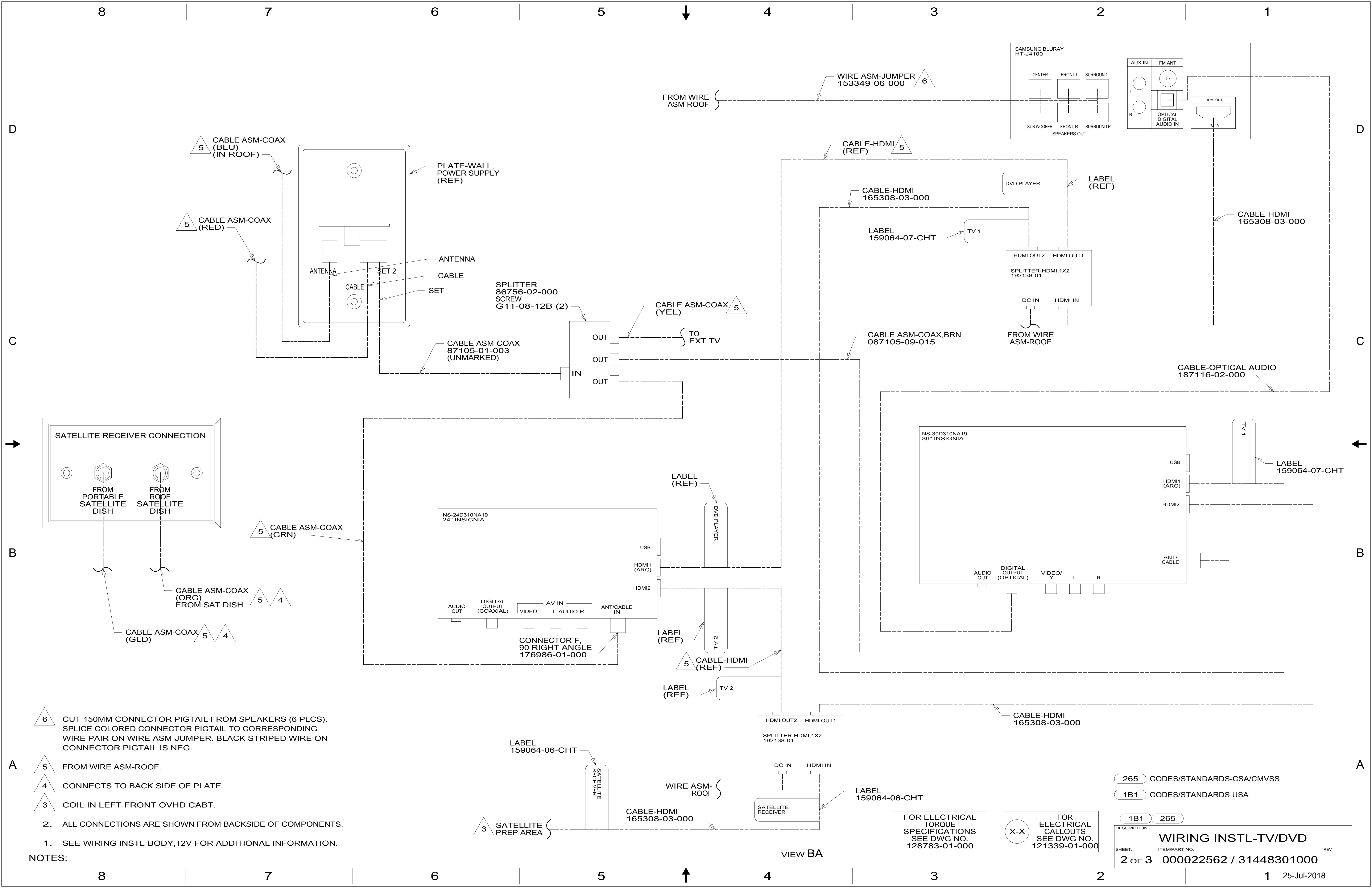
- 78K SATELLITE TV SYSTEM AUTO
- 78C SATELLITE SYSTEM READY
- 265 CODES/STANDARDS-CSA/CMVSS
- 1B1 CODES/STANDARDS USA

| | |
|---|---------------------------------------|
| WINNEBAGO COPYRIGHT 2016 WINNEBAGO INDUSTRIES, INC. | |
| DSNR: | ALL DIMENSIONS ARE IN MILLIMETERS |
| DFFR: | |
| UNSPECIFIED TOLERANCES: | MATERIAL: |
| WHOLE DIM (X) : 3 | |
| ONE-PLACE (X.X) : 1.5 | |
| TWO-PLACE (X.XX) : 0.50 | |
| ANGLE : 1° | |
| REFER TO ES0018 FOR FASTENER TIGHTENING GUIDELINES | WEIGHT: (LBS) FIRST USED: 17 730J |
| DESCRIPTION: WIRING INSTL-TV/DVD | |
| SHEET: 1 OF 3 | ITEM/PART NO: 000022562 / 31448301000 |
| REF: | REV: 1 25-Jul-2018 |

- NOTES:
- 4 ALIGN RH SIDE OF COMPONENTS WITH CABINET OPENING.
 - 3 MOUNT BRACKET FLUSH TO OPENING.
 - 2 COIL SATELLITE HDMI CORD AND SECOND TRANSMITTER-INFRARED FOR FUTURE USE.
1. SEE WIRING INSTL-BODY, 12 & 110V FOR ADDITIONAL INFORMATION.

FOR ELECTRICAL TORQUE SPECIFICATIONS SEE DWG NO. 128783-01-000

FOR ELECTRICAL CALLOUTS SEE DWG NO. 121339-01-000



- NOTES:
- 6 CUT 150MM CONNECTOR PIGTAIL FROM SPEAKERS (6 PLCS). SPLICE COLORED CONNECTOR PIGTAIL TO CORRESPONDING WIRE PAIR ON WIRE ASM-JUMPER. BLACK STRIPED WIRE ON CONNECTOR PIGTAIL IS NEG.
 - 5 FROM WIRE ASM-ROOF.
 - 4 CONNECTS TO BACK SIDE OF PLATE.
 - 3 COIL IN LEFT FRONT OVHD CABT.
2. ALL CONNECTIONS ARE SHOWN FROM BACKSIDE OF COMPONENTS.
1. SEE WIRING INSTL-BODY,12V FOR ADDITIONAL INFORMATION.

FOR ELECTRICAL TORQUE SPECIFICATIONS SEE DWG NO. 128783-01-000

FOR ELECTRICAL CALLOUTS SEE DWG NO. 121339-01-000

- 265 CODES/STANDARDS-CSA/CMVSS
- 1B1 CODES/STANDARDS USA

| | | | |
|--------------|-------------------------|----------------------------|--|
| DESCRIPTION: | | WIRING INSTL-TV/DVD | |
| SHEET: | ITEM/PART NO.: | REV: | |
| 2 OF 3 | 000022562 / 31448301000 | | |

VIEW BA

8

7

6

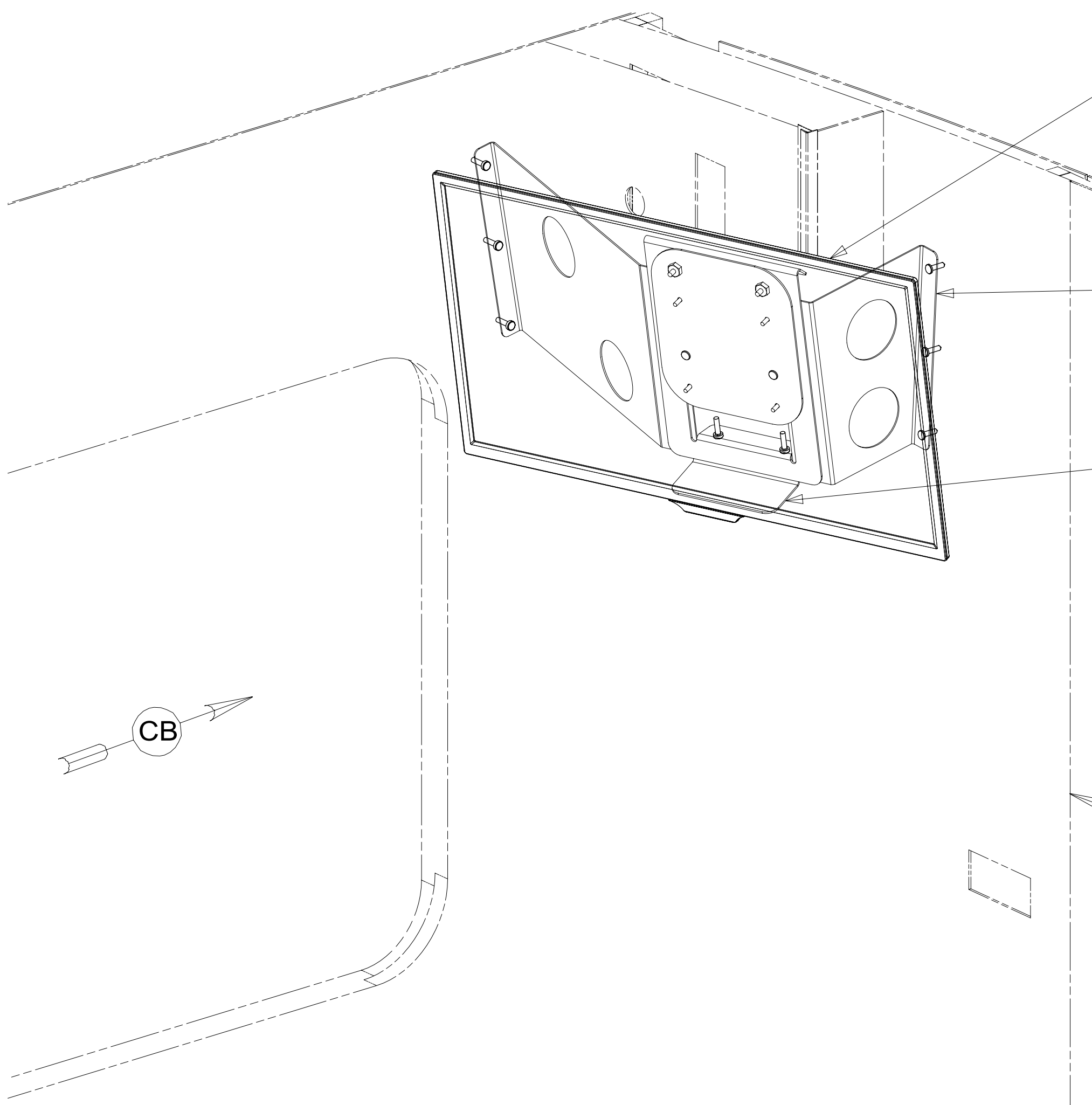
5

4

3

2

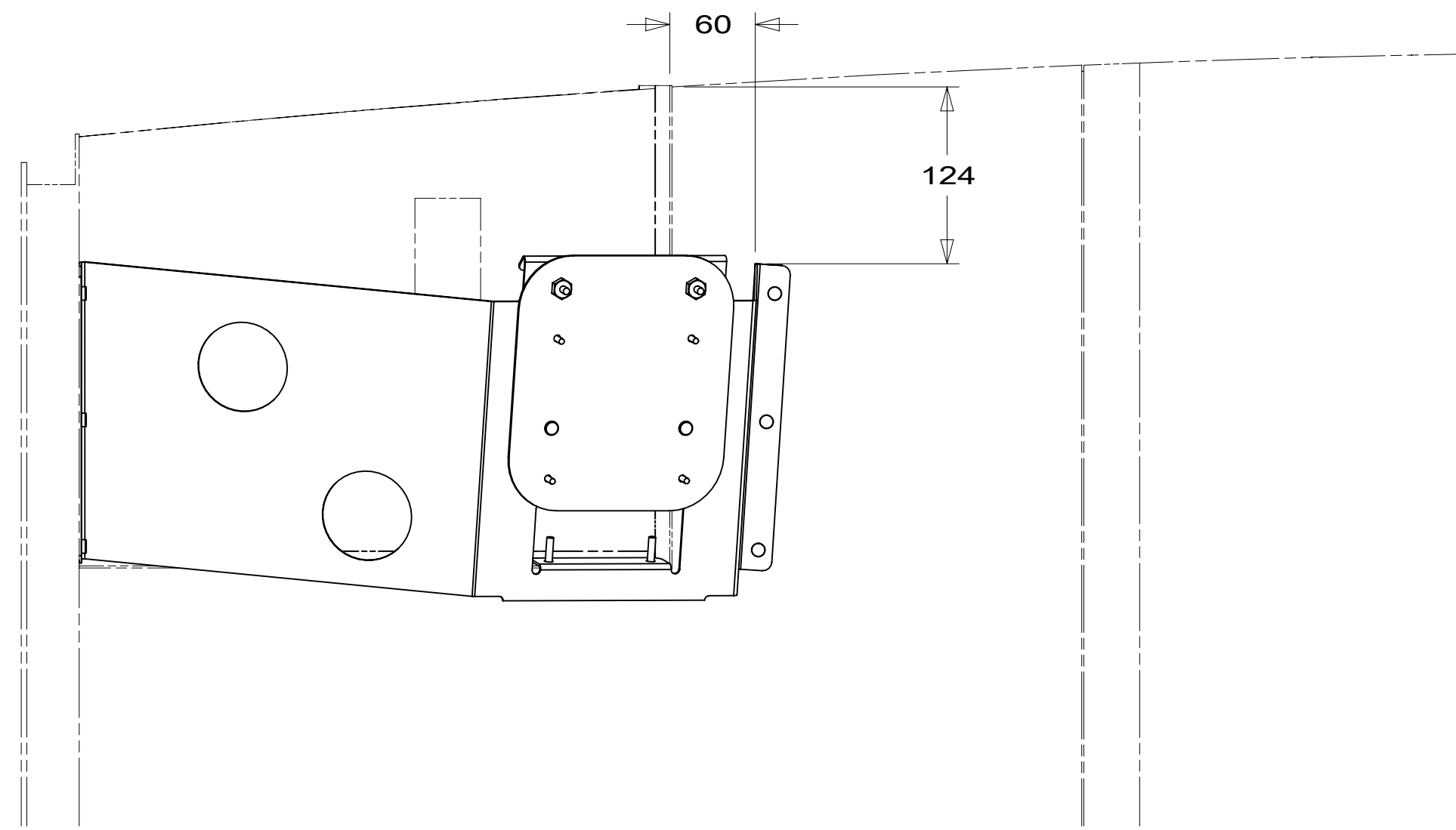
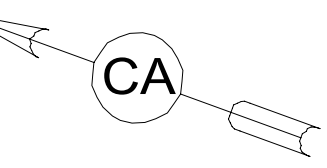
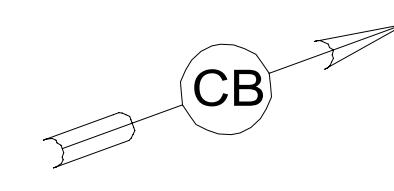
1



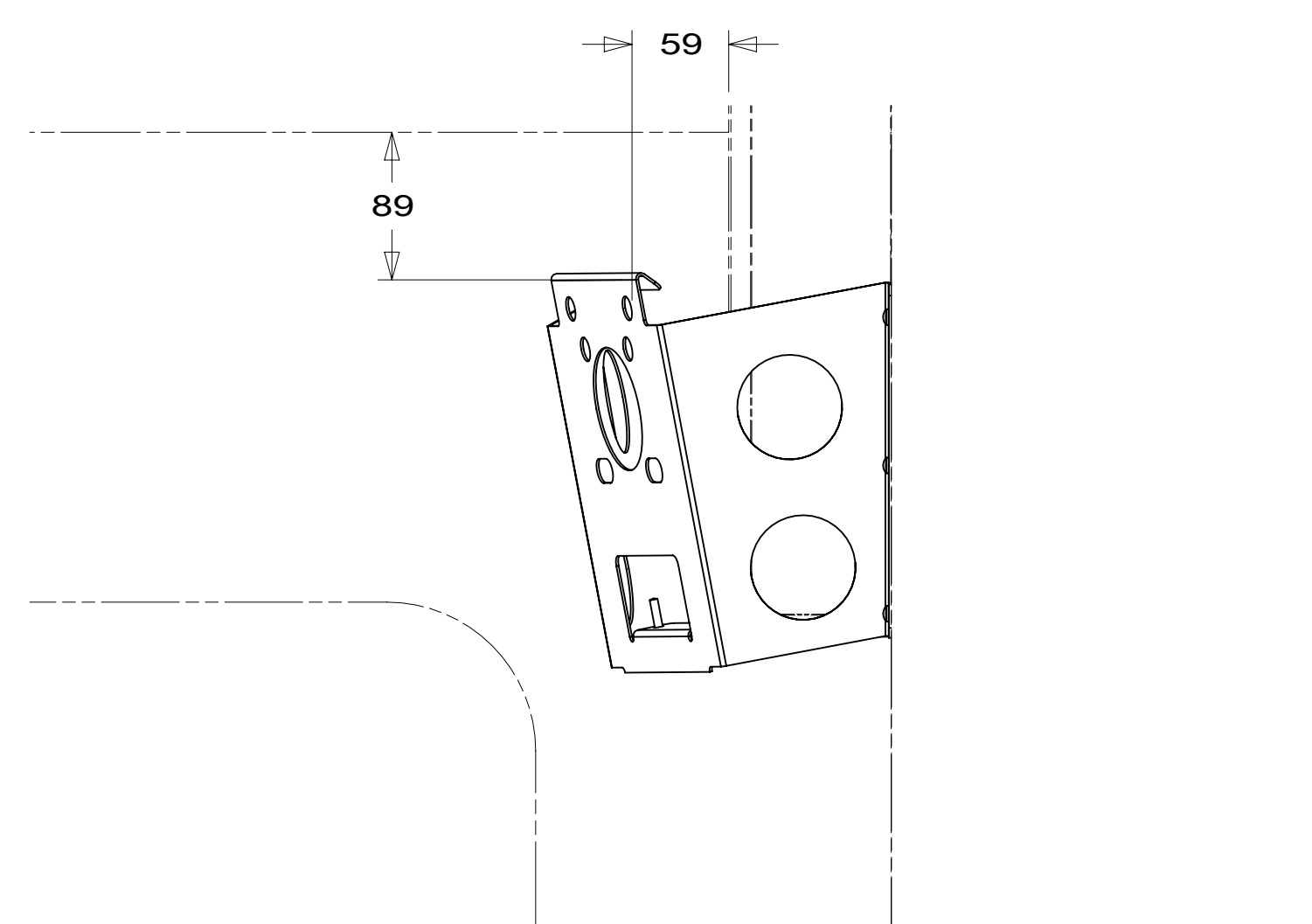
TV-24" HDTV,INSIGNIA
 000167921 / 330227-01-000
 PLATE ASM-TV
 000168018 / 330250-01-CHT
 NUT
 000D65-08-00U (2)
 SCREW
 000G19-10-10U (2)
 DETAIL BB

BRACKET-TV
 000033448 / 317569-01-CHT
 SCREW
 000G67-10-12U (3)
 000G39-10-12U (3)

PLATE-MOUNTING
 000032972 / 317364-01-CHT
 SCREW
 0MG02U-04-012 (4)
 WASHER
 0ME02U-04-071 (4)
 SCREW
 000G39-10-12U (2)
 SCREW
 000G11-08-20U (2)



VIEW CB



VIEW CA

- 68X TV - BEDROOM
- 265 CODES/STANDARDS-CSA/CMVSS
- 1B1 CODES/STANDARDS USA

FOR ELECTRICAL
 TORQUE
 SPECIFICATIONS
 SEE DWG NO.
 128783-01-000

FOR
 ELECTRICAL
 CALLOUTS
 SEE DWG NO.
 121339-01-000

| | |
|----------------------------|-------------------------|
| DESCRIPTION: | 1B1 265 68X |
| WIRING INSTL-TV/DVD | |
| SHEET: | ITEM/PART NO: |
| 3 OF 3 | 000022562 / 31448301000 |
| REV | |

8

7

6

5

4

3

2

1