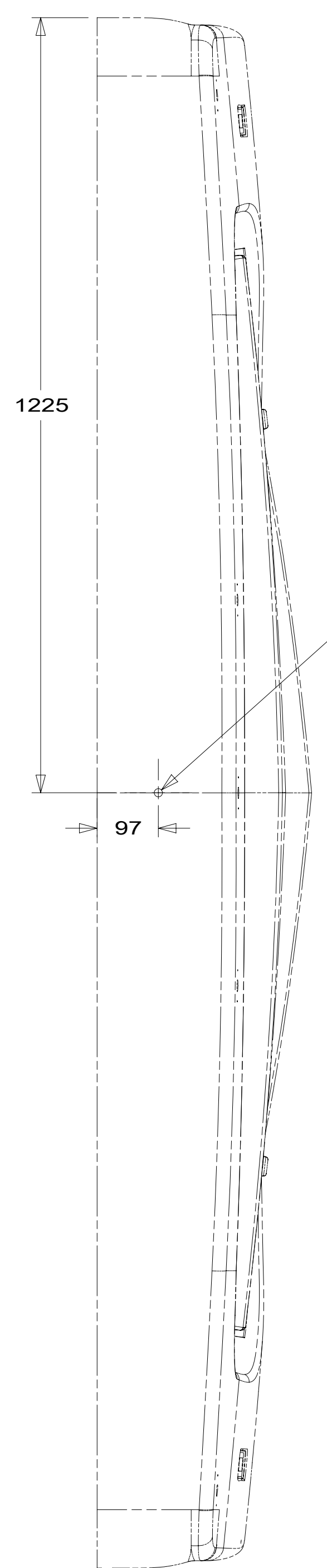
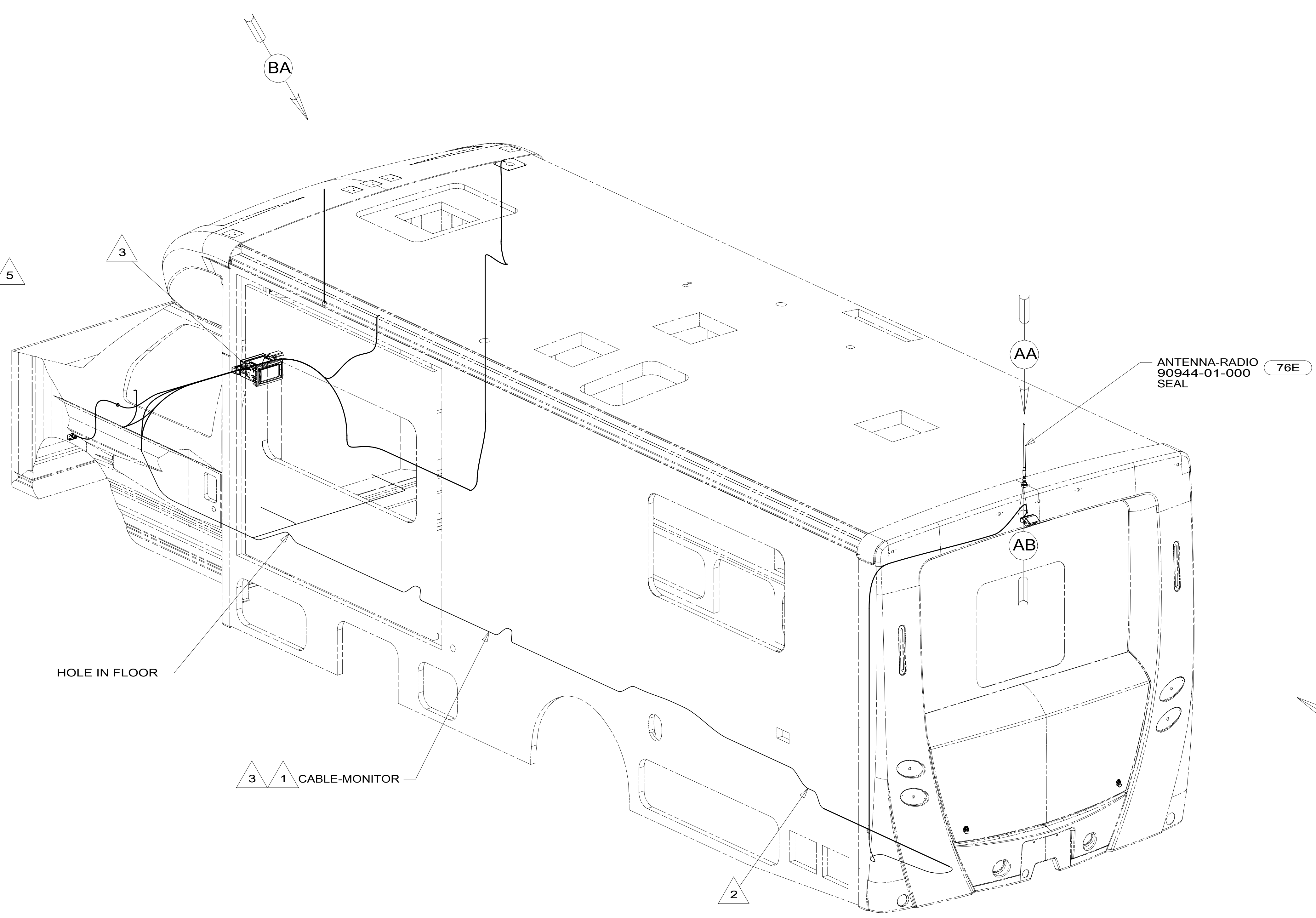


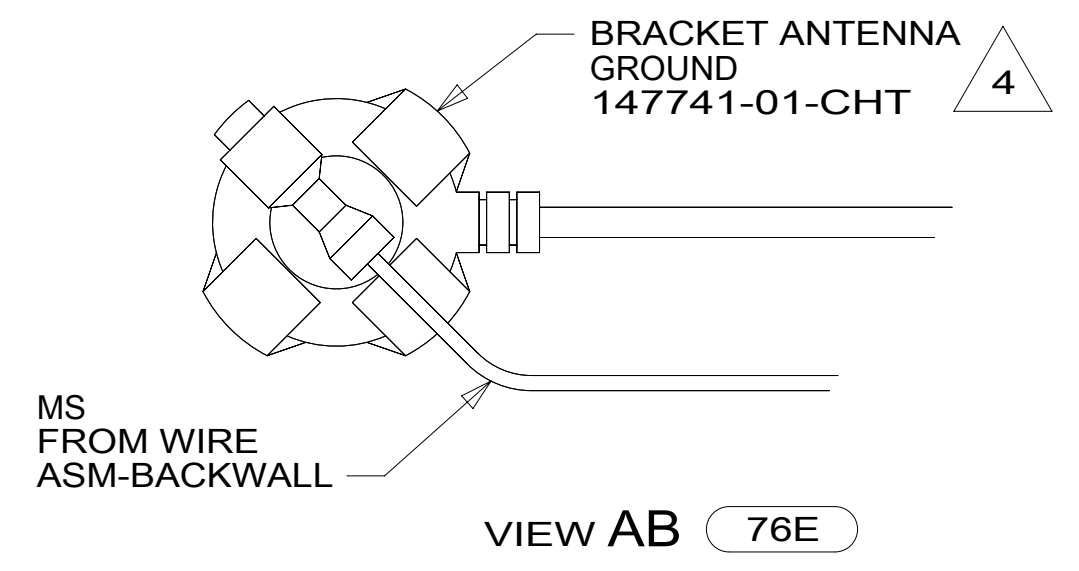
8 7 6 5 4 3 2 1



VIEW AA (ANTENNA NOT SHOWN) 76E



- NOTES:
- 5 DRILL 13MM HOLE AT LOCATION SHOWN.
 - 4 WRAP BRACKET LEGS AROUND ANTENNA BASE.
 - 3 ROUTE CABLE TO DASH RADIO.
 - 2 WIRING IS ROUTED DIFFERENTLY FOR EACH UNIT FROM THIS POINT REARWARD.
 - 1 ROUTE REAR MONITOR CAMERA CABLE WITH WIRE ASM-CHASSIS WHICH RUNS ALONG LEFT FRAME RAIL.



VIEW AB 76E

FOR ELECTRICAL TORQUE SPECIFICATIONS SEE DWG NO. 128783-01-000

FOR ELECTRICAL CALLOUTS SEE DWG NO. 121339-01-000

- 76E EXT ENTERTAINMENT SYSTEM
- 265 CODES/STANDARDS-CSA/CMVSS
- 1B1 CODES/STANDARDS USA

1B1 265



DSNR:		ALL DIMENSIONS ARE IN MILLIMETERS	
DFFR:		MATERIAL:	
UNSPECIFIED TOLERANCES:		WEIGHT: (LBS)	
WHOLE DIM (X)	: 3	FIRST USED:	
ONE-PLACE (X.X)	: 1.5	17 700-SE	
TWO-PLACE (X.XX)	: 0.50	DESCRIPTION:	
ANGLE	: 1°	RADIO/MONITOR INSTL	
REFER TO ES0018 FOR FASTENER TIGHTENING GUIDELINES		SHEET: 1 OF 6	
		ITEM/PART NO.: 000022525 / 31447201000	
		REF: 1 27-Jul-2018	

8 7 6 5 4 3 2 1

70D
OR
157

4

ANTENNA-SATELLITE RADIO
(SUPPLIED WITH SXM RECEIVER)
PLATE-SATELLITE RADIO
177256-03-CHT
SCREW
G11-08-08U (4)
SEAL

70D
OR
157

6

1 ANTENNA-RADIO

5

WIRE ASM-MONITOR 15'
(REF)

7

RADIO-INFOTAINMENT,6",GPS
190062-01-000
REMOTE-NAVIGATION/RADIO
176654-04-000
KIT-RADIO INSTALL, FORD
183821-05-000
RADIO-AM/FM/DVD, TOUCH, 2-DIN
000167236 / 330140-01-000
KIT-RADIO INSTALL, FORD 2DIN
183821-01-000

157

70D

19R

WIRE ASM-MONITOR 15'
(REF)

2 3

SWITCH-VIDEO CAMERA
180731-01-000
SWITCH-VIDEO CAMERA
180731-09-000

157 74C

19R 74C

OR

157 WITHOUT 74C

GROMMET
071015-43-000

8

SENSOR-TEMPERATURE
176654-13-000
BRACKET-ZEE,TEMP SENSOR
147428-01-CHT
SCREW
G39-08-12U (2)

157

- 8 DRILL 13 MM HOLE AND RUN WIRE THROUGH GROMMET AND HOLE. INSERT GROMMET INTO HOLE AND RUN WIRE TO BACK OF RADIO AND CONNECT TO RADIO.
- 7 USE SCREWS SUPPLIED W/RADIO TO ATTACH RADIO TO MOUNTING KIT, 3 EACH SIDE.
- 6 ROUTE ANTENNA CABLE FROM UNDER PASSENGER'S SEAT UP B-POST, INTO WINGWALL, UP THROUGH ENTERTAINMENT CENTER BEHIND SPEAKER, ROUTE CABLE THROUGH ROUTED PATH IN ROOF ASM.
- 5 USE SPACERS (4) PROVIDED WITH RADIO MOUNTING BRACKET AT 4 DASH MOUNT POINTS.
- 4 MOUNT ANTENNA SUCH THAT BASE IS SQUARE WITH ROOF AND HOLE IS DIRECTLY OVER HOLE IN ROOF. SEAL BOTH THE HOLE IN THE ROOF AND ANTENNA BASE AT SCREWS.
- 3 RECEIVER CABLE SUPPLIED WITH RECEIVER.
- 2 ROUTE RECEIVER CABLE ALONG WITH CHASSIS HARNESS TO BATTERY BOOST SWITCH, CONTINUE RECEIVER CABLE TO DASH RADIO.
- 1 SUPPLIED WITH CHASSIS. USE SHORTEST ANTENNA.

VIEW BA

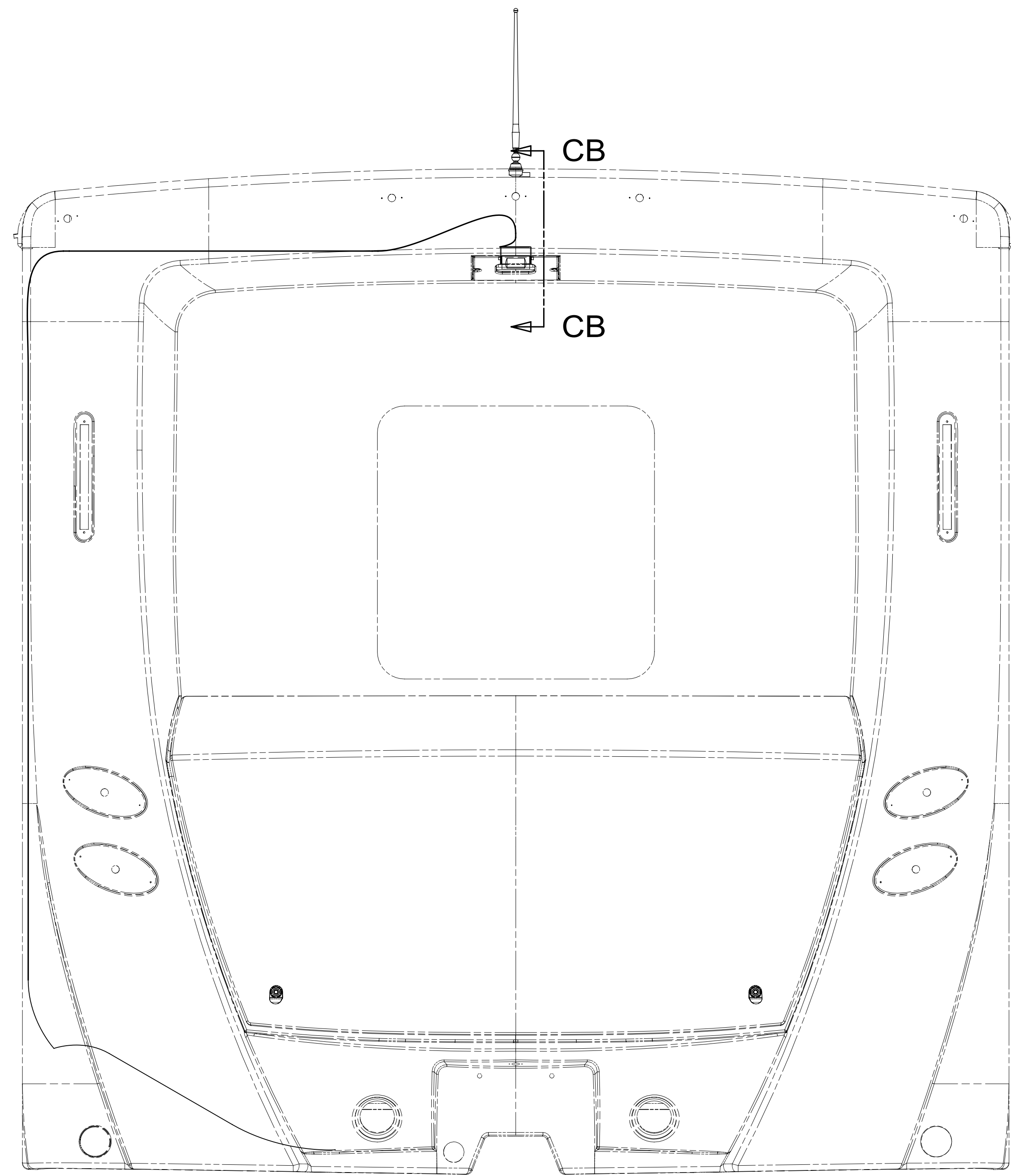
FOR ELECTRICAL
TORQUE
SPECIFICATIONS
SEE DWG NO.
128783-01-000

FOR ELECTRICAL
CALLOUTS
SEE DWG NO.
121339-01-000

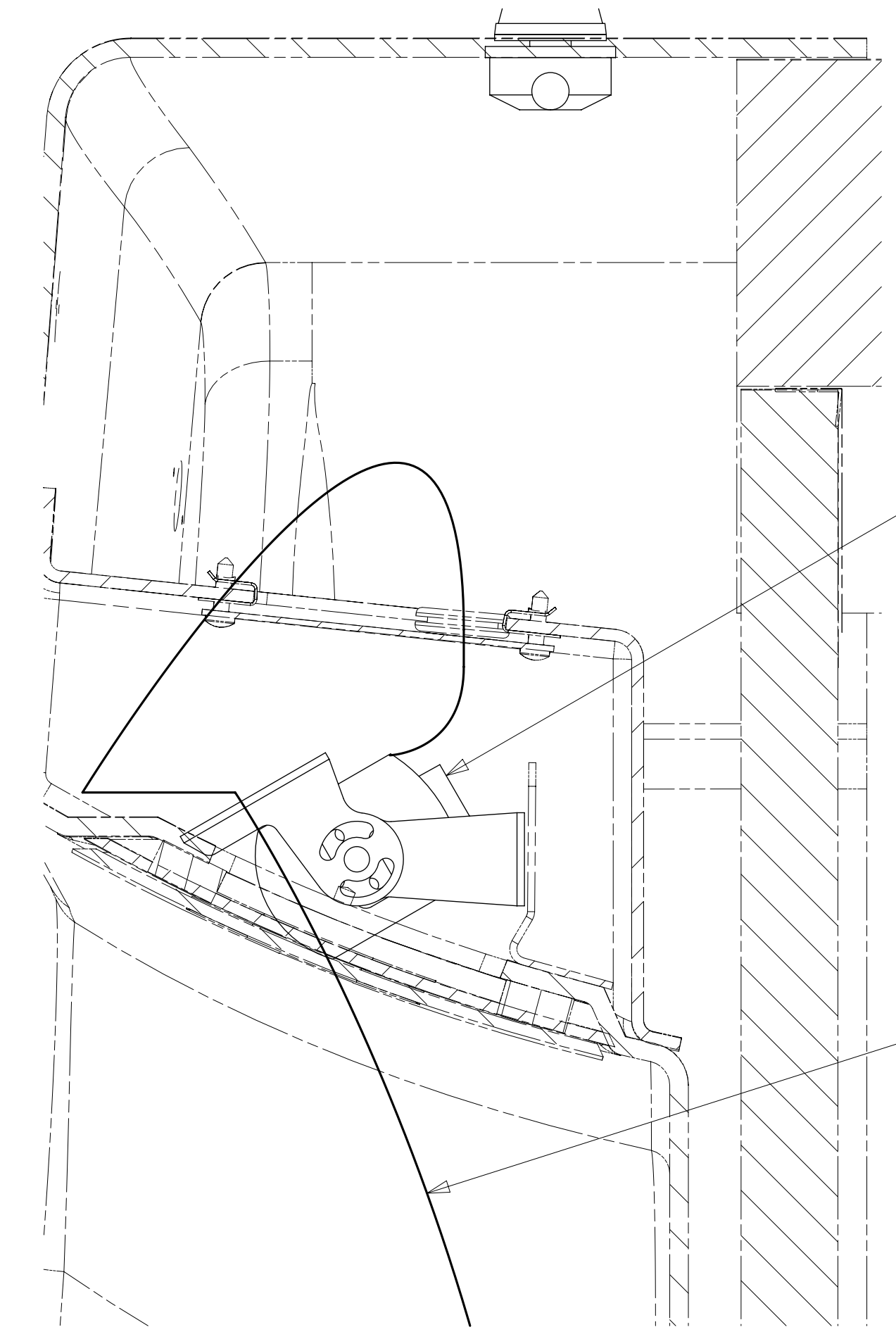
- 70D RADIO - SATELLITE SIRIUSXM
- 157 INFOTAIN CTR/GPS SIRIUSXM
- 74C VIDEO CAMERA SYSTEM
- 19R RADIO/REARVIEW MONITOR SYS
- 265 CODES/STANDARDS-CSA/CMVSS
- 1B1 CODES/STANDARDS USA

DESCRIPTION:		1B1 265
RADIO/MONITOR INSTL		
SHEET:	ITEM/PART NO.:	REV:
2 OF 6	000022525 / 31447201000	

8 7 6 5 4 3 2 1



VIEW CA



SECTION CB-CB 1

CAMERA-REAR, COLOR, W/BACKET 183822-01-000 } 19R OR 70D
 CAMERA-REAR, COLOR, W/BACKET 000124231 / 323840-01-000 } 157
 GROMMET 071015-46-000

CABLE-MONITOR/ CAMERA (REF)

- 70D RADIO - SATELLITE SIRIUSXM
- 157 INFOTAIN CTR/GPS SIRIUSXM
- 19R RADIO/REARVIEW MONITOR SYS
- 265 CODES/STANDARDS-CSA/CMVSS
- 1B1 CODES/STANDARDS USA

1 ALIGN CAMERA IN CENTER OF SHROUD OPENING AND ADJUST SO BACKWALL IS JUST VISIBLE.

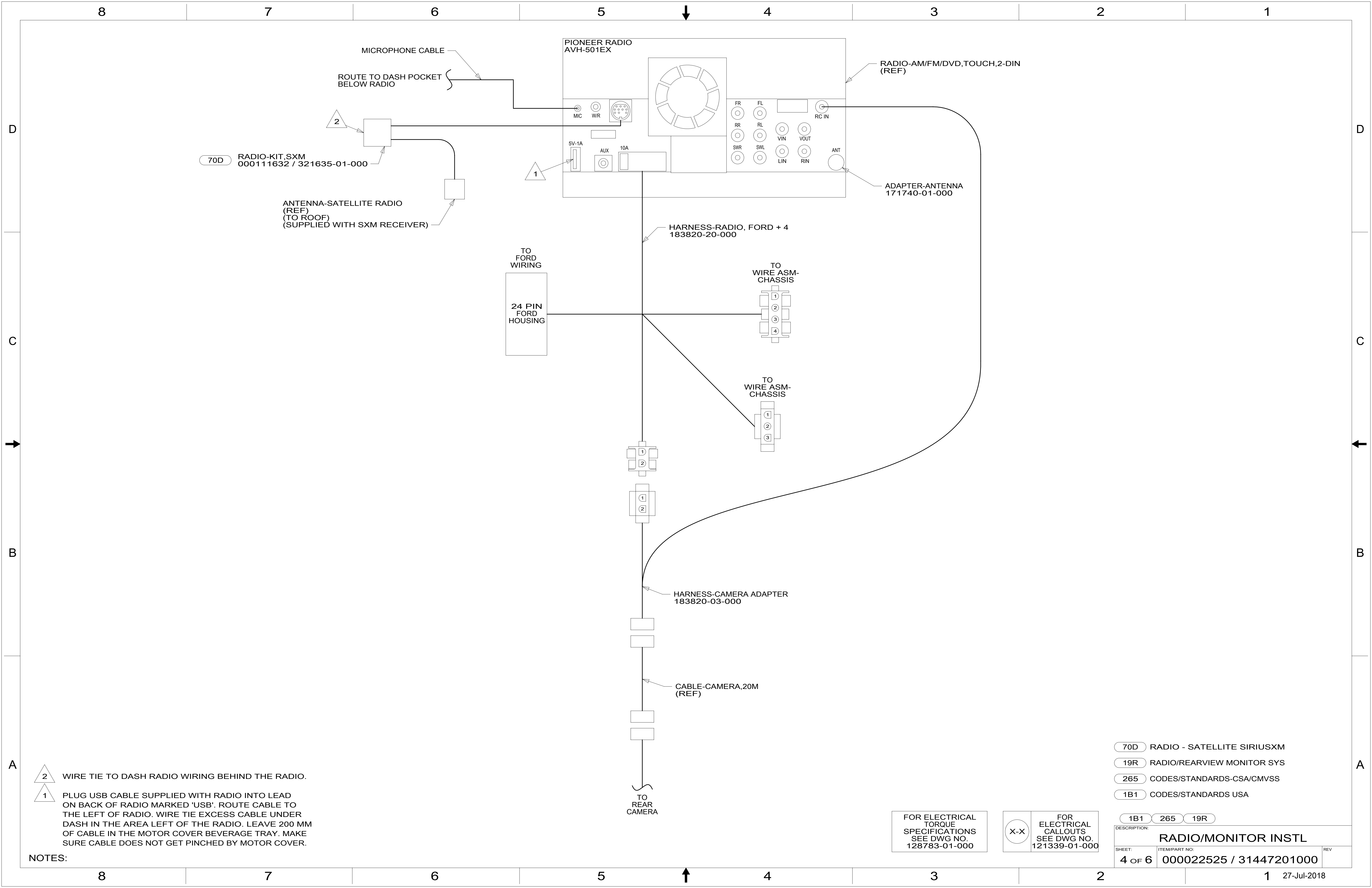
NOTES:

FOR ELECTRICAL TORQUE SPECIFICATIONS SEE DWG NO. 128783-01-000

FOR ELECTRICAL CALLOUTS SEE DWG NO. 121339-01-000

DESCRIPTION:	1B1 265	
	RADIO/MONITOR INSTL	
SHEET:	ITEM/PART NO:	REV
3 OF 6	000022525 / 31447201000	

8 7 6 5 4 3 2 1 27-Jul-2018



NOTES:

2 WIRE TIE TO DASH RADIO WIRING BEHIND THE RADIO.

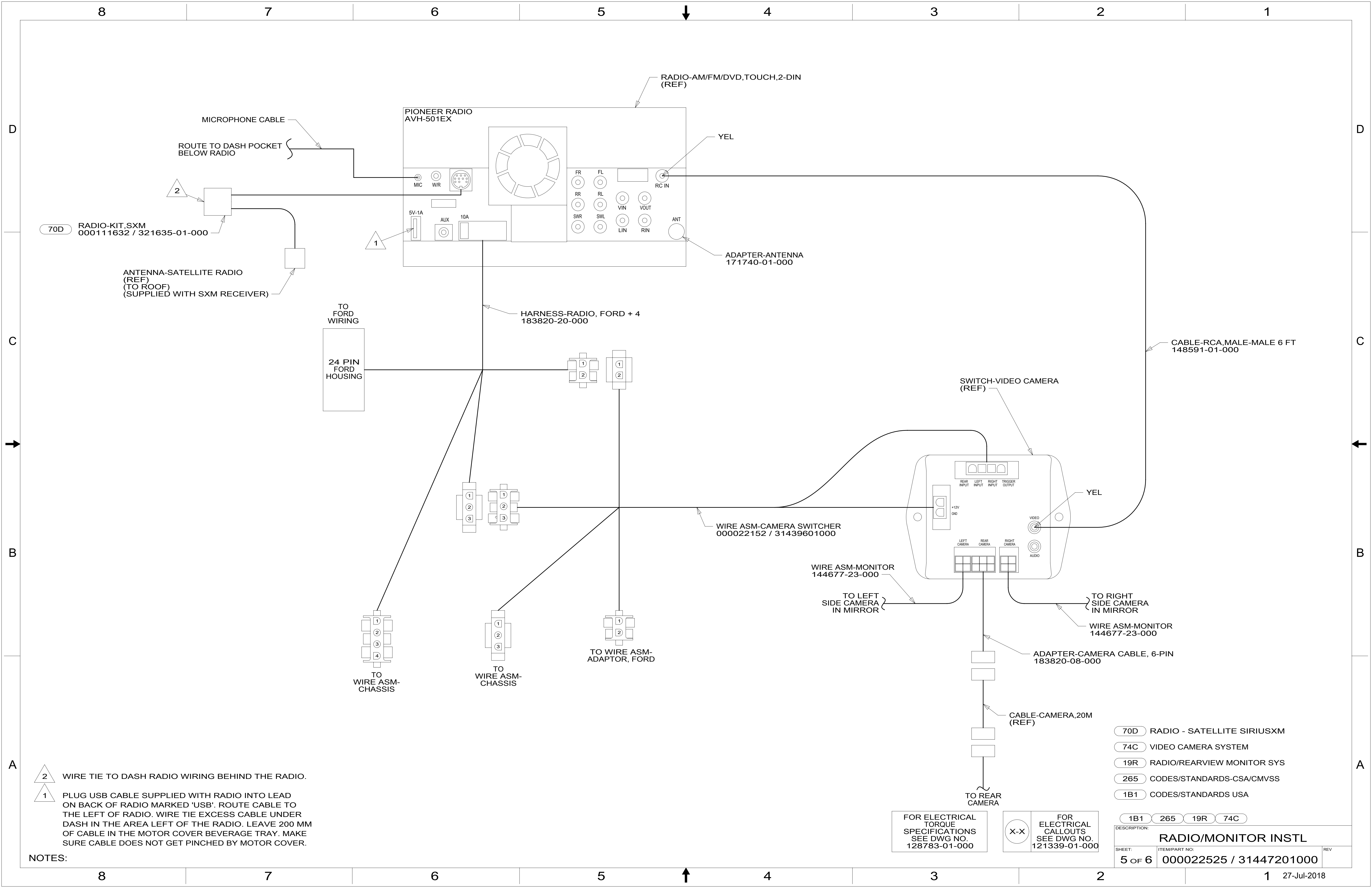
1 PLUG USB CABLE SUPPLIED WITH RADIO INTO LEAD ON BACK OF RADIO MARKED 'USB'. ROUTE CABLE TO THE LEFT OF RADIO. WIRE TIE EXCESS CABLE UNDER DASH IN THE AREA LEFT OF THE RADIO. LEAVE 200 MM OF CABLE IN THE MOTOR COVER BEVERAGE TRAY. MAKE SURE CABLE DOES NOT GET PINCHED BY MOTOR COVER.

FOR ELECTRICAL TORQUE SPECIFICATIONS SEE DWG NO. 128783-01-000

FOR ELECTRICAL CALLOUTS SEE DWG NO. 121339-01-000

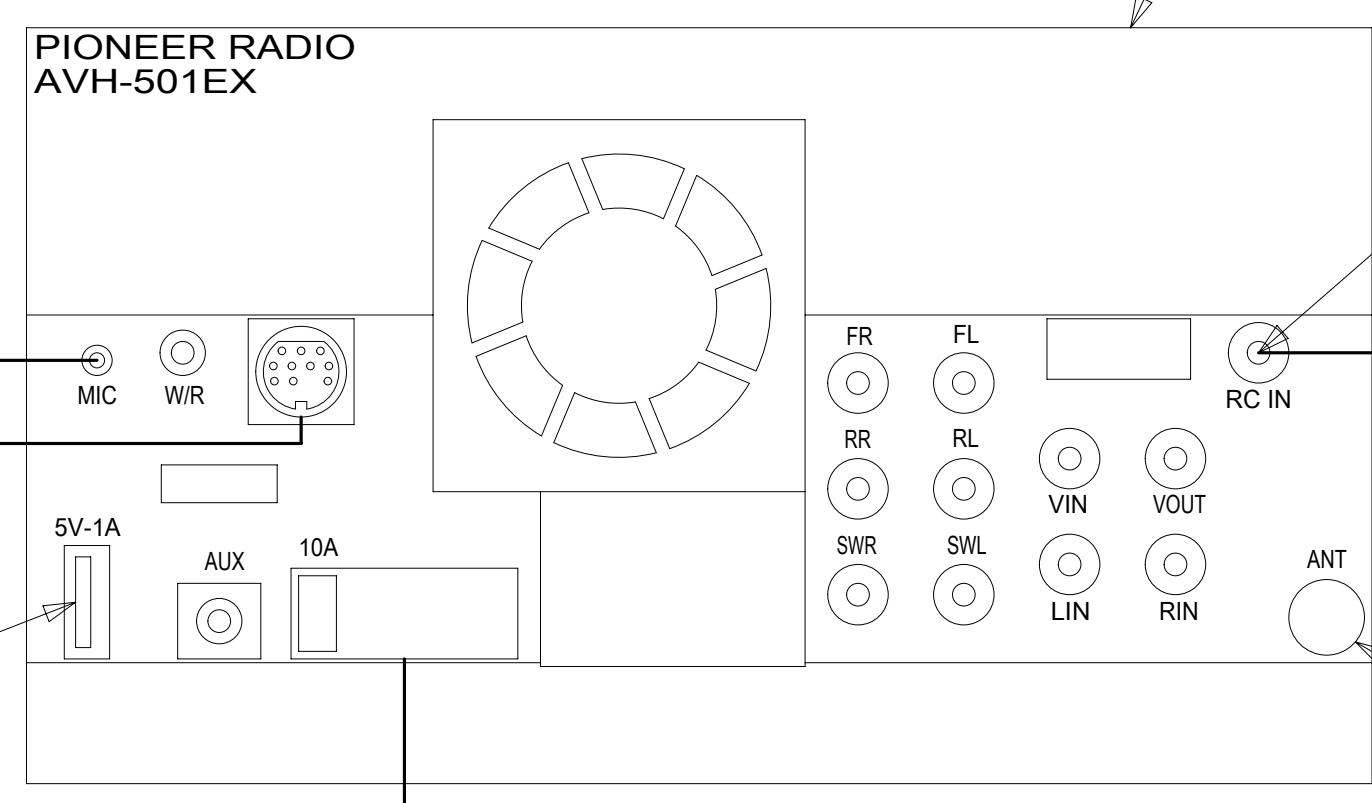
- 70D RADIO - SATELLITE SIRIUSXM
- 19R RADIO/REARVIEW MONITOR SYS
- 265 CODES/STANDARDS-CSA/CMVSS
- 1B1 CODES/STANDARDS USA

DESCRIPTION: RADIO/MONITOR INSTL		
SHEET: 4 OF 6	ITEM/PART NO: 000022525 / 31447201000	REV



70D RADIO-KIT,SXM
000111632 / 321635-01-000

ANTENNA-SATELLITE RADIO
(REF)
(TO ROOF)
(SUPPLIED WITH SXM RECEIVER)



RADIO-AM/FM/DVD,TOUCH,2-DIN
(REF)

YEL

ADAPTER-ANTENNA
171740-01-000

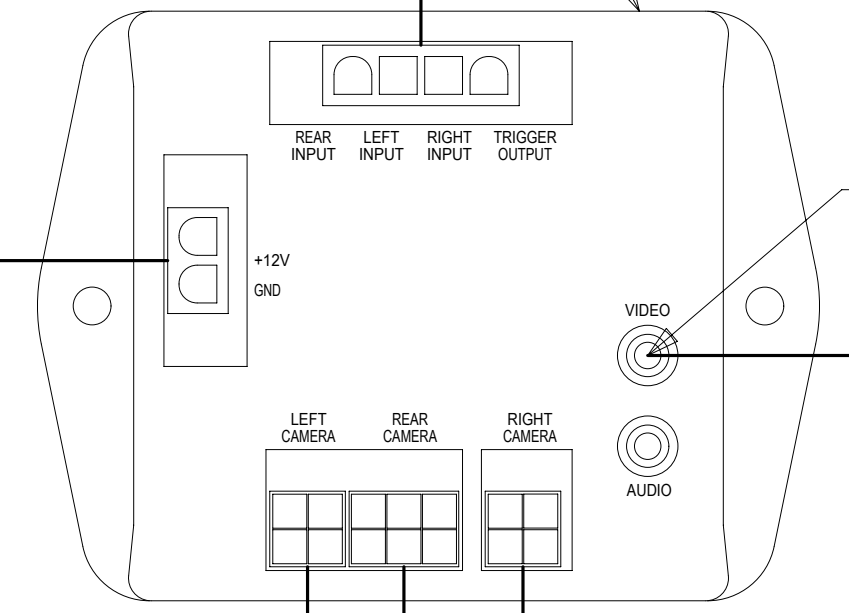
HARNES-RADIO, FORD + 4
183820-20-000



CABLE-RCA,MALE-MALE 6 FT
148591-01-000

SWITCH-VIDEO CAMERA
(REF)

WIRE ASM-CAMERA SWITCHER
00022152 / 31439601000



YEL

WIRE ASM-MONITOR
144677-23-000

TO LEFT
SIDE CAMERA
IN MIRROR

TO RIGHT
SIDE CAMERA
IN MIRROR

WIRE ASM-MONITOR
144677-23-000

ADAPTER-CAMERA CABLE, 6-PIN
183820-08-000

CABLE-CAMERA,20M
(REF)

TO REAR
CAMERA

2 WIRE TIE TO DASH RADIO WIRING BEHIND THE RADIO.

1 PLUG USB CABLE SUPPLIED WITH RADIO INTO LEAD ON BACK OF RADIO MARKED 'USB'. ROUTE CABLE TO THE LEFT OF RADIO. WIRE TIE EXCESS CABLE UNDER DASH IN THE AREA LEFT OF THE RADIO. LEAVE 200 MM OF CABLE IN THE MOTOR COVER BEVERAGE TRAY. MAKE SURE CABLE DOES NOT GET PINCHED BY MOTOR COVER.

NOTES:

FOR ELECTRICAL
TORQUE
SPECIFICATIONS
SEE DWG NO.
128783-01-000

FOR ELECTRICAL
CALLOUTS
SEE DWG NO.
121339-01-000

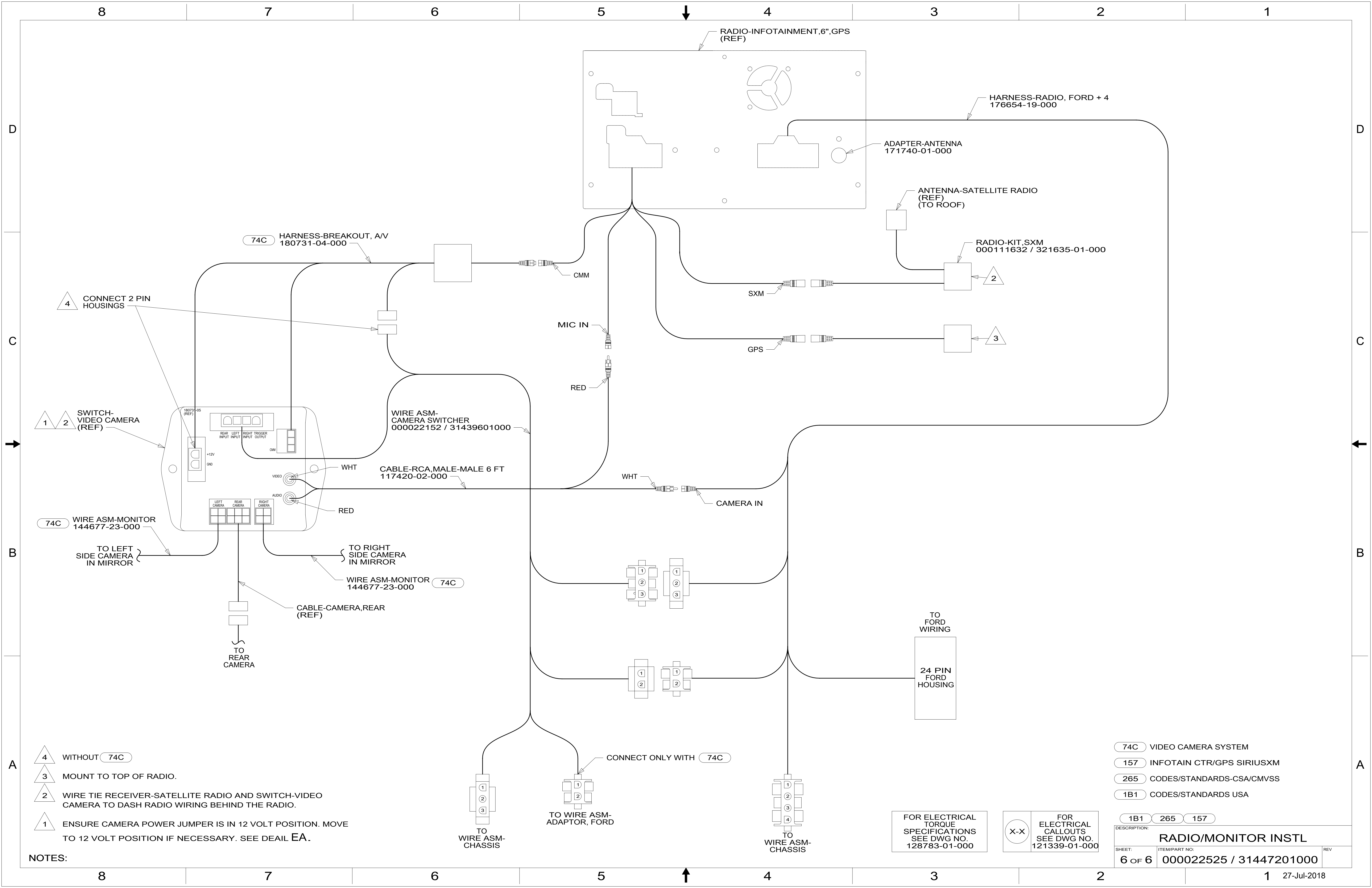
- 70D RADIO - SATELLITE SIRIUSXM
- 74C VIDEO CAMERA SYSTEM
- 19R RADIO/REARVIEW MONITOR SYS
- 265 CODES/STANDARDS-CSA/CMVSS
- 1B1 CODES/STANDARDS USA

1B1 265 19R 74C

DESCRIPTION:
RADIO/MONITOR INSTL

SHEET: 5 OF 6 ITEM/PART NO: 000022525 / 31447201000 REV

27-Jul-2018



74C HARNESS-BREAKOUT, A/V
180731-04-000

RADIO-INFOTAINMENT, 6", GPS
(REF)

HARNESS-RADIO, FORD + 4
176654-19-000

ADAPTER-ANTENNA
171740-01-000

ANTENNA-SATELLITE RADIO
(REF)
(TO ROOF)

RADIO-KIT, SXM
000111632 / 321635-01-000

74C HARNESS-BREAKOUT, A/V
180731-04-000

4 CONNECT 2 PIN
HOUSINGS

1 2 SWITCH-
VIDEO CAMERA
(REF)

WIRE ASM-
CAMERA SWITCHER
000022152 / 31439601000

CABLE-RCA, MALE-MALE 6 FT
117420-02-000

74C WIRE ASM-MONITOR
144677-23-000

74C WIRE ASM-MONITOR
144677-23-000

CABLE-CAMERA, REAR
(REF)

4 WITHOUT 74C

3 MOUNT TO TOP OF RADIO.

2 WIRE TIE RECEIVER-SATELLITE RADIO AND SWITCH-VIDEO
CAMERA TO DASH RADIO WIRING BEHIND THE RADIO.

1 ENSURE CAMERA POWER JUMPER IS IN 12 VOLT POSITION. MOVE
TO 12 VOLT POSITION IF NECESSARY. SEE DEAL EA.

NOTES:

- 74C VIDEO CAMERA SYSTEM
- 157 INFOTAIN CTR/GPS SIRIUSXM
- 265 CODES/STANDARDS-CSA/CMVSS
- 1B1 CODES/STANDARDS USA

FOR ELECTRICAL
TORQUE
SPECIFICATIONS
SEE DWG NO.
128783-01-000

FOR
ELECTRICAL
CALLOUTS
SEE DWG NO.
121339-01-000

DESCRIPTION: RADIO/MONITOR INSTL		
SHEET: 6 OF 6	ITEM/PART NO: 000022525 / 31447201000	REV