

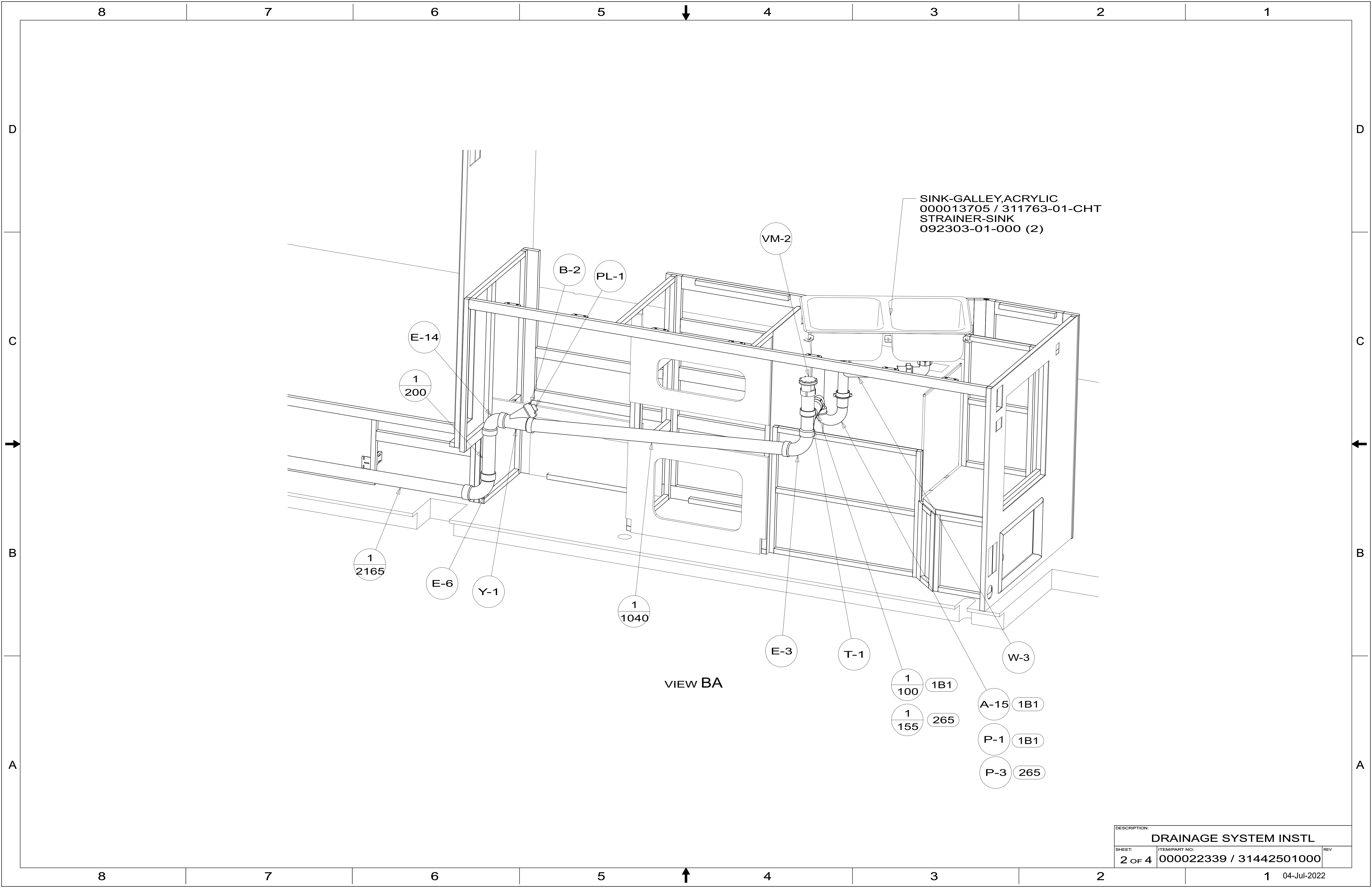
- 9. SEE DRAWING 061607 FOR INSTALLATION OF GROMMETS.
- 8. SECURE DRAINAGE PIPES TO CABINET USING WIRE TIE 108046-02-000, AND SCREW 000G67-10-12U AT INTERVALS OF NOT OF NOT MORE THAN 4 FEET APART.
- 7. SECURE VENT PIPE TO FLOOR WITH CLAMP 062401-02-000 (2), SCREW 000G67-10-12U (2), BRACKET 136878-01-CHT (2).
- 6. VENT PIPE MUST PROJECT 51 MIN AND 64 MAX ABOVE ROOF FOR PROPER FIT AND FUNCTION. ADD S-1 (116666-01-CHT SEAL-VENT PIPE) AROUND PIPE ON ROOF BEFORE VENT CAP IS INSTALLED.
- 5. SEAL AROUND SHOWER WITH SILICONE.
- 4. USE SMOOTH PLUMBERS PUTTY 167459-01-000 TO SEAL STRAINER (0.2 PER STRAINER).
- 3. ALL PIPE AND FITTINGS TO BE ASSEMBLED WITH SOLVENT 004020-01-000 (USA), 004020-02-000 (CAN)
- 2. SLOPE OF TRAP ARM MUST BE 6 PER 305 mm.
- 1. SLOPE OF HORIZONTAL PIPING TO BE MINIMUM OF 3 PER 305 mm.

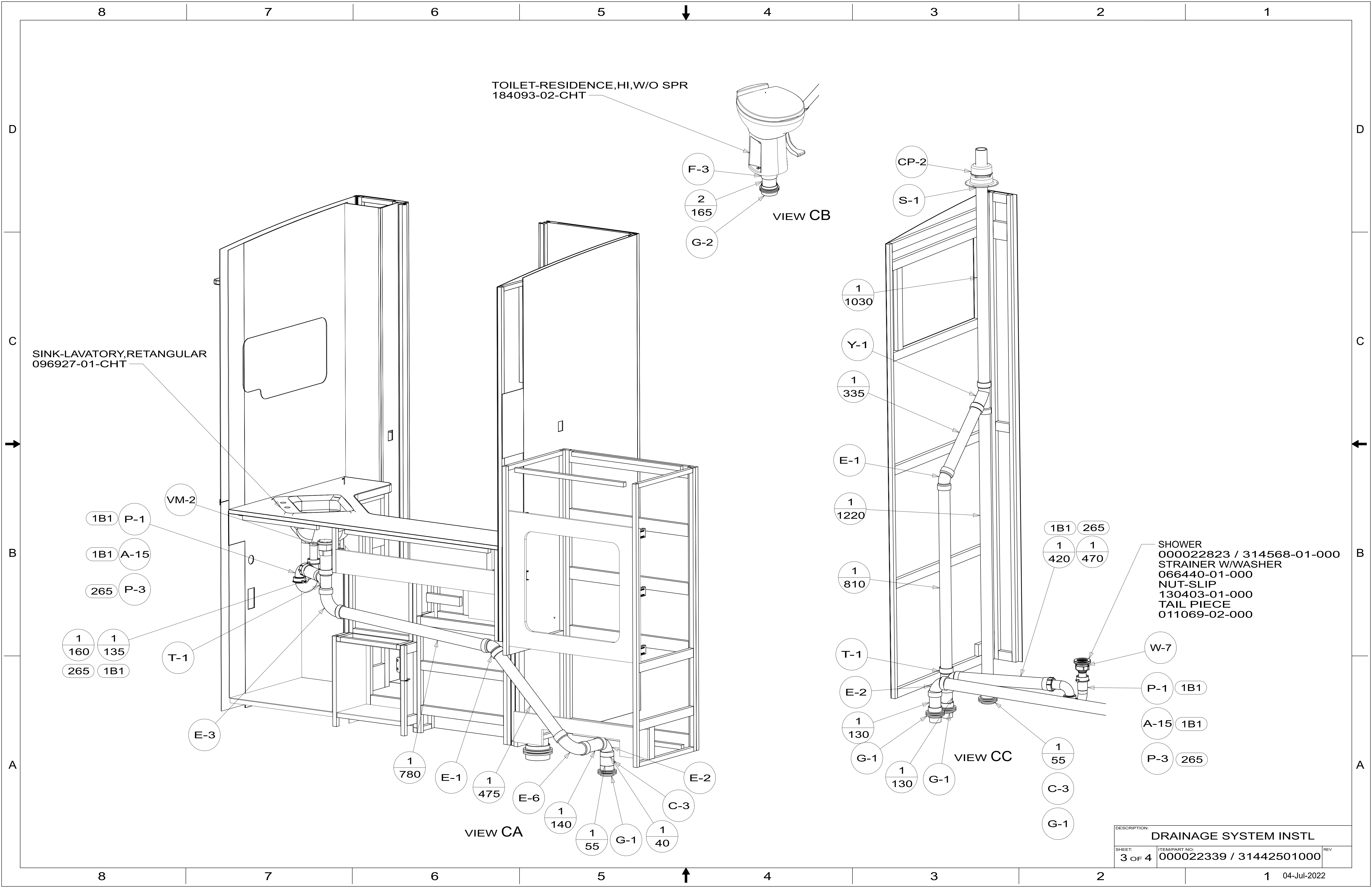
265 CODES/STDS-CSA/CMVSS  
 1B1 CODES/STANDARDS-USA

**WINNEBAGO**  
 COPYRIGHT 2022 WINNEBAGO INDUSTRIES, INC.

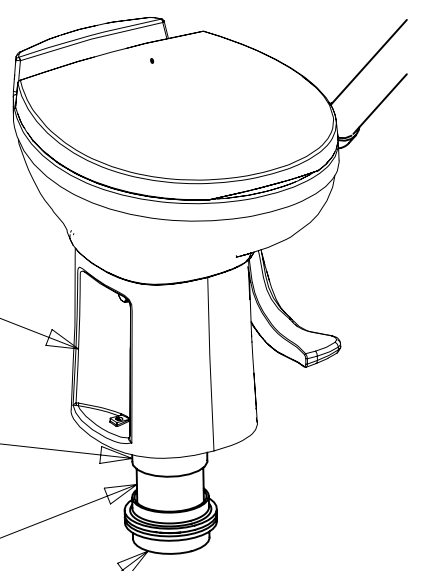
DSNR:		ALL DIMENSIONS ARE IN MILLIMETERS	
DFTR:			
UNSPECIFIED TOLERANCES:		MATERIAL:	
WHOLE DIM (X)	: 3	.....	
ONE-PLACE (X.X)	: 1.5	.....	
TWO-PLACE (X.XX)	: 0.50	.....	
ANGLE	: 1°	.....	
REFER TO ES0018 FOR FASTENER TIGHTENING GUIDELINES		WEIGHT: (LBS)	FIRST USED: (REF)
			17 E32YE
DESCRIPTION: <b>DRAINAGE SYSTEM INSTL</b>			
SHEET:	ITEM/PART NO.:	REV:	
1 OF 4	000022339 / 31442501000		

X-X  
 FOR DRAINAGE CALLOUTS  
 SEE DWG NO.  
 000211962 /  
 303370-01-000





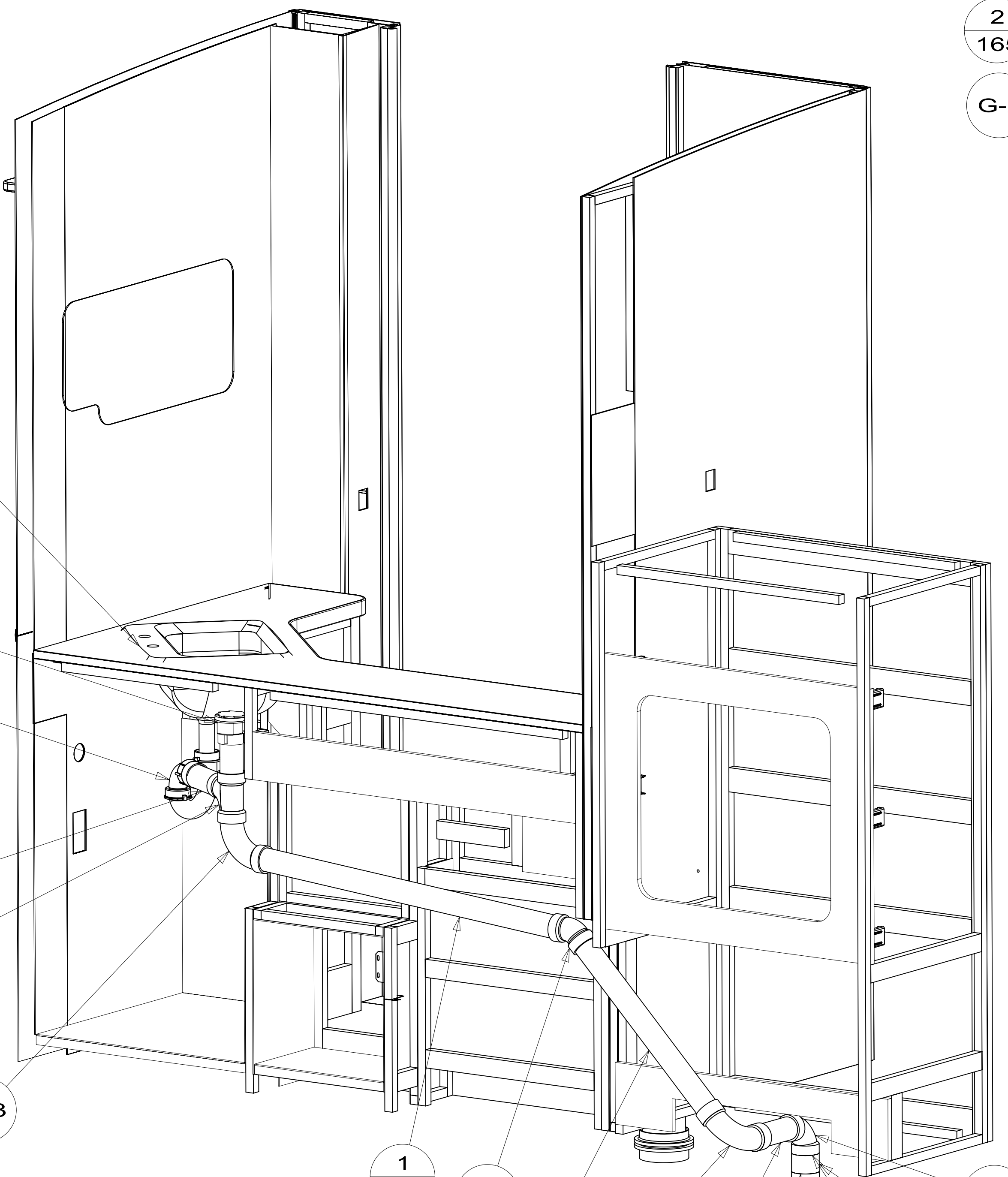
TOILET-RESIDENCE, HI, W/O SPR  
184093-02-CHT



- F-3
- 2  
165
- G-2

VIEW CB

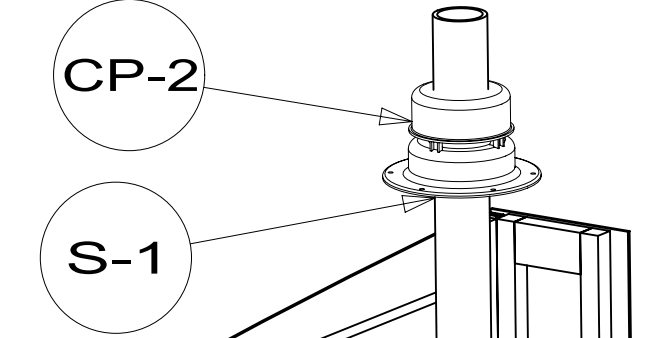
SINK-LAVATORY, RETANGULAR  
096927-01-CHT



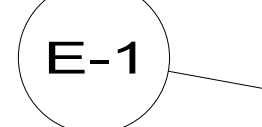
- VM-2
- 1B1 P-1
- 1B1 A-15
- 265 P-3
- 1 160
- 1 135
- 265 1B1
- T-1
- E-3

VIEW CA

- 1 780
- E-1
- 1 475
- E-6
- 1 140
- 1 55
- G-1
- 1 40
- E-2
- C-3

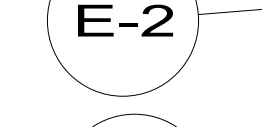
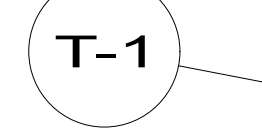


- 1 1030
- Y-1
- 1 335



- 1 1220

- 1 810



- 1 130



- 1 130



VIEW CC

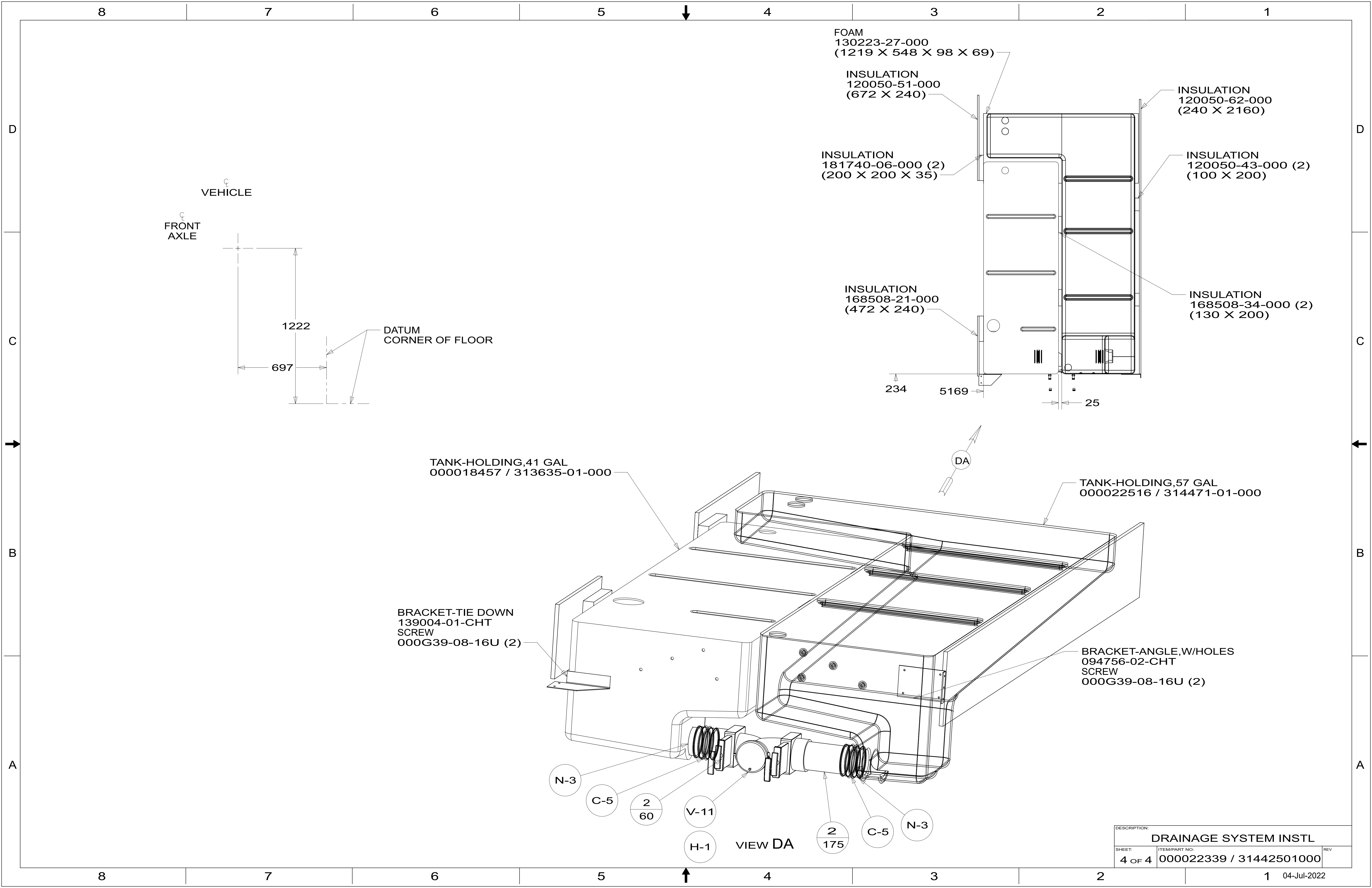
- 1B1 265
- 1 420
- 1 470

SHOWER  
000022823 / 314568-01-000  
STRAINER W/WASHER  
066440-01-000  
NUT-SLIP  
130403-01-000  
TAIL PIECE  
011069-02-000

- W-7
- P-1 1B1
- A-15 1B1
- P-3 265

- 1 55
- C-3
- G-1

DESCRIPTION: <b>DRAINAGE SYSTEM INSTL</b>		
SHEET: 3 OF 4	ITEM/PART NO: 000022339 / 31442501000	REV



DESCRIPTION:		
DRAINAGE SYSTEM INSTL		
SHEET:	ITEM/PART NO.:	REV
4 OF 4	000022339 / 31442501000	