

- 10. FASTEN PLATFORM TO FLOOR AFTER SIDEWALL IS SET AND HEATER IS ATTACHED TO WALL.
- 9. ALL CRIMP FITTINGS TO 3/4" PEX TUBING REQUIRE 3/4" CLAMP 140171-05-000.
- 8. ALL CRIMP FITTINGS TO 1/2" PEX TUBING REQUIRE 1/2" CLAMP 140171-03-000.
- 7. ALL CRIMP FITTINGS TO 5/8" FLEX TUBING REQUIRE 5/8" CLAMP 140171-04-000.
- 6. LABEL HOT AND COLD SUPPLY TUBES AND TAPE FITTING TO TUBE BEFORE CABINET SET TO PREVENT MOVEMENT.
- 5. ADD PIPE WRAP (LADDER SCRAP 110157-02-000) INSULATION.
- 4. ADD TEFLON TAPE 010405-02-000.
- 3. ALL TUBING TO BE SECURED AT 1200 INTERVALS MAXIMUM WITH CLAMP 010495-01-000 AND SCREW 000G67-10-12U OR EQUIVALENT.
- 2. TUBING TO BE INSTALLED WITH SUFFICIENT SLOPE TO PROVIDE DRAINAGE TO NEAREST VALVE.
- 1. PLASTIC FITTINGS TO BE SEALED WITH SEALANT 084456-01-000.

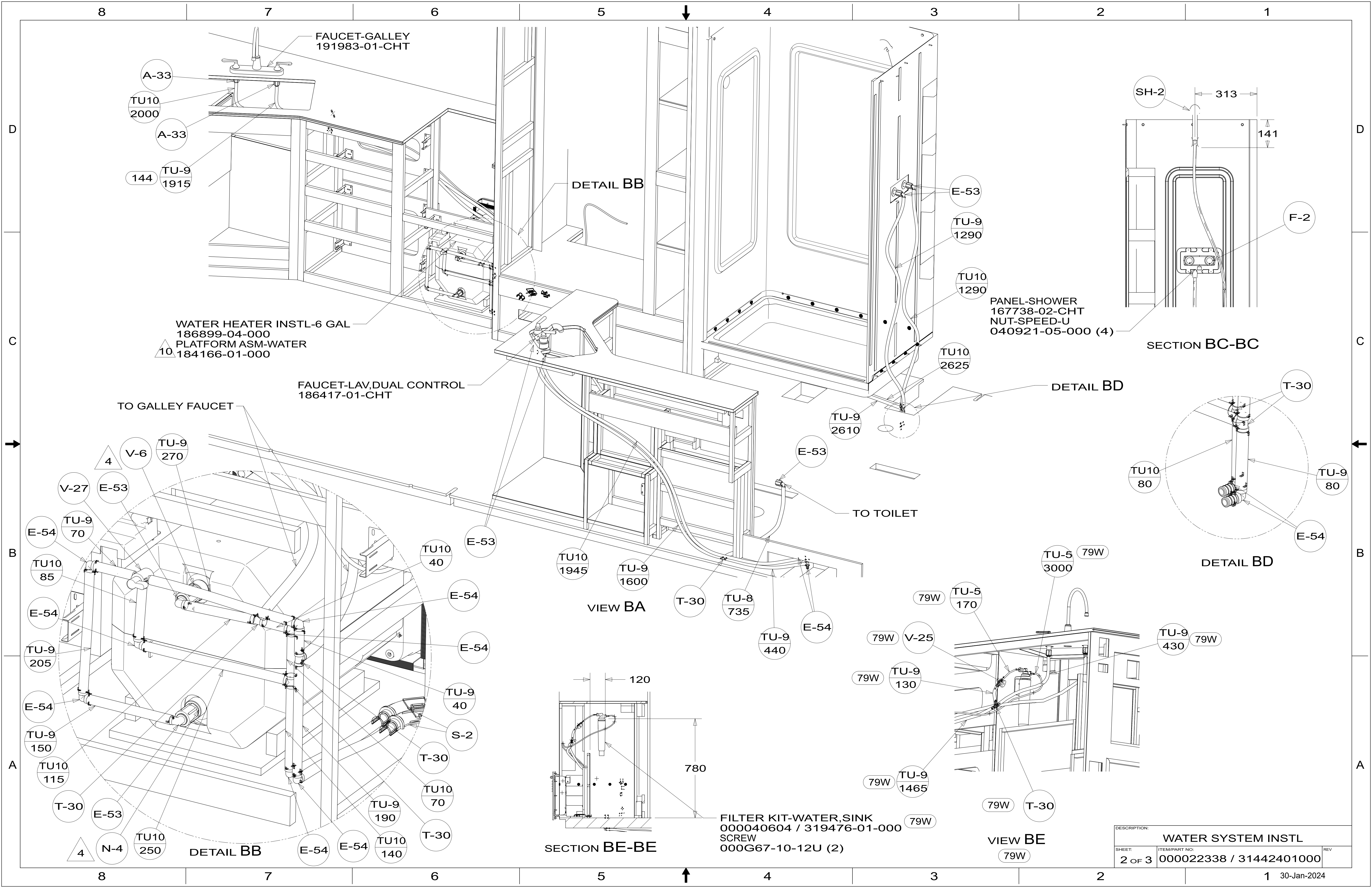
NOTES:

- 79W REFRIGERATOR-4 DOOR
- 144 REFRIGERATOR-DOUBLE DOOR



DSNR:		ALL DIMENSIONS ARE IN MILLIMETERS	
DFTR:		MATERIAL:	
UNSPECIFIED TOLERANCES:			
WHOLE DIM (X)	: 3		
ONE-PLACE (X.X)	: 1.5		
TWO-PLACE (X.XX)	: 0.50		
ANGLE	: 1°		
REFER TO ES0018 FOR FASTENER TIGHTENING GUIDELINES		WEIGHT: (LBS)	FIRST USED: (REF)
			17 E32YE
DESCRIPTION: WATER SYSTEM INSTL			
SHEET:	ITEM/PART NO.:	REV	
1 OF 3	000022338 / 31442401000		
REF:		1 30-Jan-2024	

X-X  
FOR WATER CALLOUTS SEE DWG NO. 000209446 / 303369-01-000



FAUCET-GALLEY  
191983-01-CHT

- A-33
- TU10 2000
- A-33
- 144 TU-9 1915

WATER HEATER INSTL-6 GAL  
186899-04-000  
PLATFORM ASM-WATER  
10 184166-01-000

FAUCET-LAV,DUAL CONTROL  
186417-01-CHT

TO GALLEY FAUCET

DETAIL BB

PANEL-SHOWER  
167738-02-CHT  
NUT-SPEED-U  
040921-05-000 (4)

SECTION BC-BC

DETAIL BD

TO TOILET

DETAIL BD

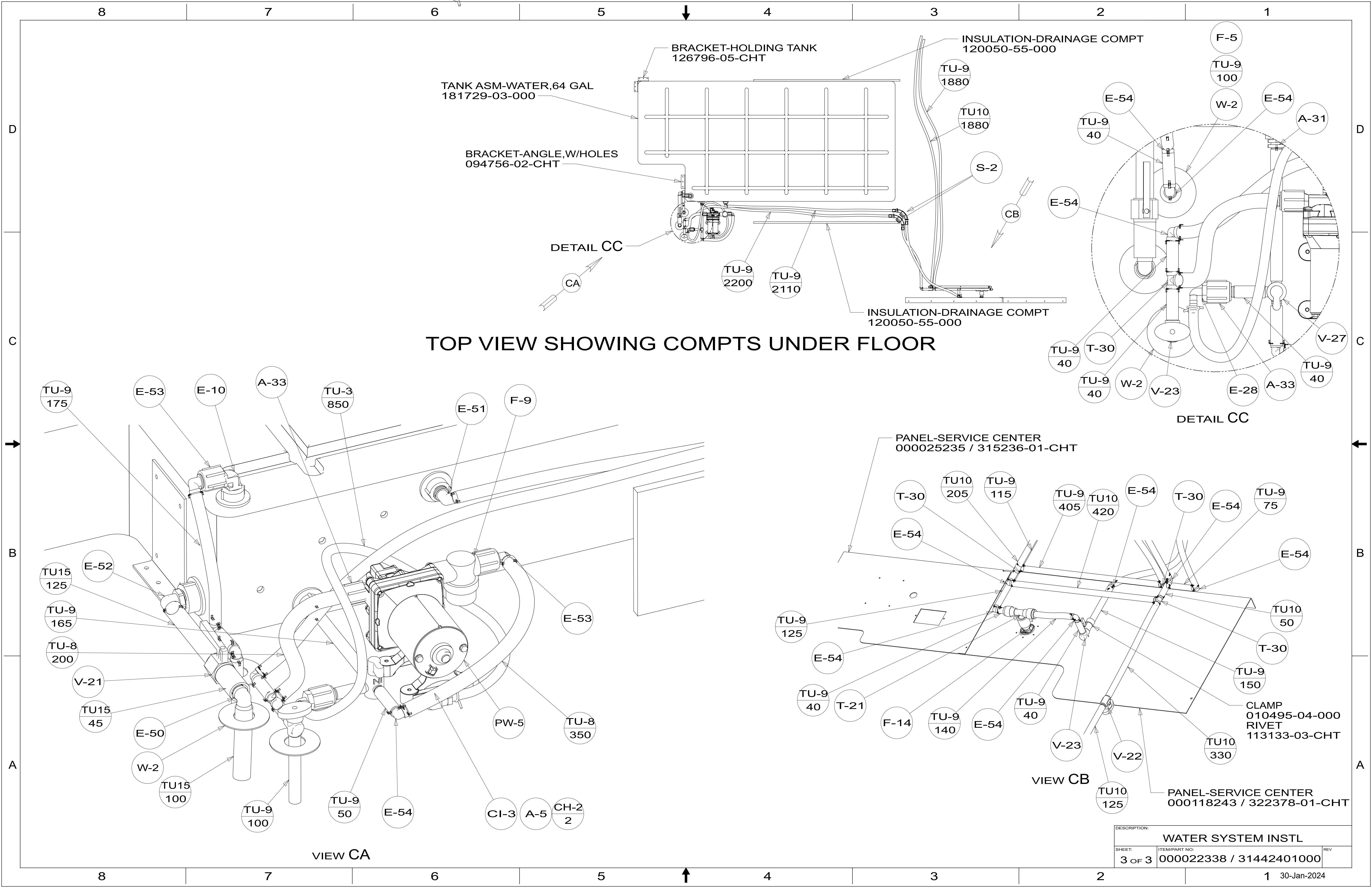
VIEW BA

VIEW BE

SECTION BE-BE

FILTER KIT-WATER,SINK  
000040604 / 319476-01-000  
SCREW  
000G67-10-12U (2)

DESCRIPTION: <b>WATER SYSTEM INSTL</b>		
SHEET: 2 OF 3	ITEM/PART NO: 000022338 / 31442401000	REV



BRACKET-HOLDING TANK  
126796-05-CHT

INSULATION-DRAINAGE COMPT  
120050-55-000

TANK ASM-WATER,64 GAL  
181729-03-000

BRACKET-ANGLE,W/HOLES  
094756-02-CHT

DETAIL CC

**TOP VIEW SHOWING COMPTS UNDER FLOOR**

DETAIL CC

PANEL-SERVICE CENTER  
000025235 / 315236-01-CHT

PANEL-SERVICE CENTER  
000118243 / 322378-01-CHT

DESCRIPTION:		
WATER SYSTEM INSTL		
SHEET:	ITEM/PART NO.:	REV:
3 OF 3	000022338 / 31442401000	

30-Jan-2024