

- 6 ROUTE CABLE FROM RADIO TO PASSENGER'S STEPWELL AREA, UP WINGWALL, THROUGH SLEEPER BOARD ASM, UNDER TRIM TO ANTENNA PLATE ON ROOF.
- 5 MOUNT ANTENNA AND PLATE SUCH THAT BASE IS SQUARE WITH ROOF AND DIRECTLY OVER HOLE IN ROOF. SEAL BOTH HOLE IN ROOF AND ANTENNA BASE AT SCREWS.
- 4 SUPPLIED WITH CHASSIS. USE SHORTEST SUPPLIED ANTENNA.
- 3 ROUTE CABLE TO DASH RADIO.
- 2 WIRING IS ROUTED DIFFERENTLY FOR EACH UNIT FROM THIS POINT REARWARD.
- 1 REAR MONITOR CAMERA CABLE IS PART OF WIRE ASM-CHASSIS AND RUNS ALONG LEFT FRAME RAIL.

NOTES:

FOR ELECTRICAL TORQUE SPECIFICATIONS SEE DWG NO. 128783-01-000

X-X FOR ELECTRICAL CALLOUTS SEE DWG NO. 121339-01-000

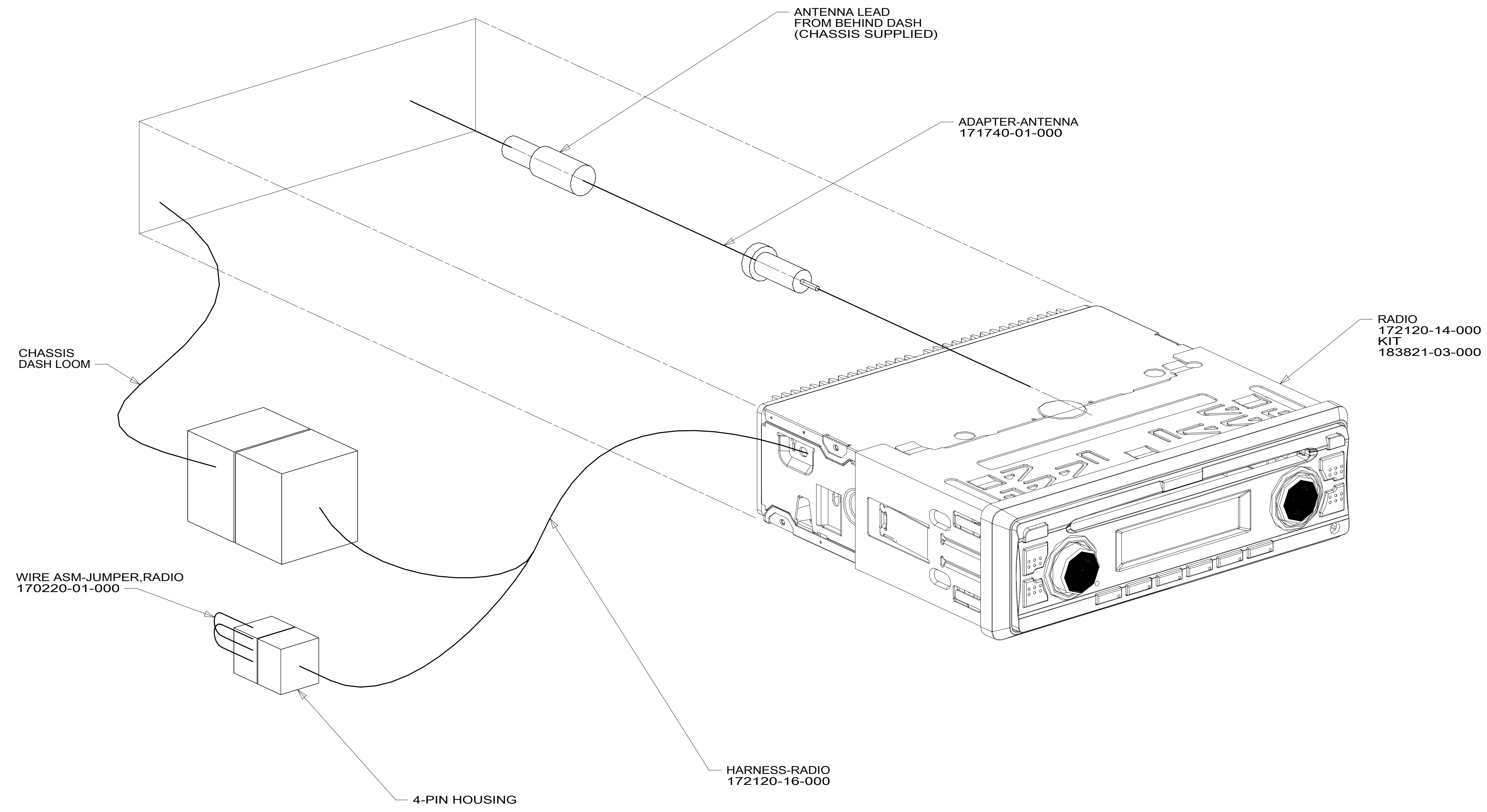
- 643 RENTAL-MILES DIXON
- 70D RADIO - SATELLITE SIRIUSXM
- 283 MIRRORS-UPGRADE W/CAMERA
- 265 CODES/STANDARDS-CSA/CMVSS
- 1B1 CODES/STANDARDS USA

**WINNEBAGO**  
COPYRIGHT 2016 WINNEBAGO INDUSTRIES, INC.

DSNR:	ALL DIMENSIONS ARE IN MILLIMETERS
DFFR:	MATERIAL:
UNSPECIFIED TOLERANCES:	WEIGHT: (LBS)
WHOLE DIM (X) : 3	FIRST USED:
ONE-PLACE (X.X) : 1.5	17 325B
TWO-PLACE (X.XX) : 0.50	
ANGLE : 1°	
REFER TO ES0018 FOR FASTENER TIGHTENING GUIDELINES	
<b>RADIO/MONITOR INSTL</b>	
SHEET: 1 OF 5	ITEM/PART NO: 000022192 / 31440201000
REF:	1 09-May-2017

8 7 6 5 4 3 2 1

D  
C  
B  
A



- 19V RADIO-AM/FM STEREO CD PLAYER
- 265 CODES/STANDARDS-CSA/CMVSS
- 1B1 CODES/STANDARDS USA

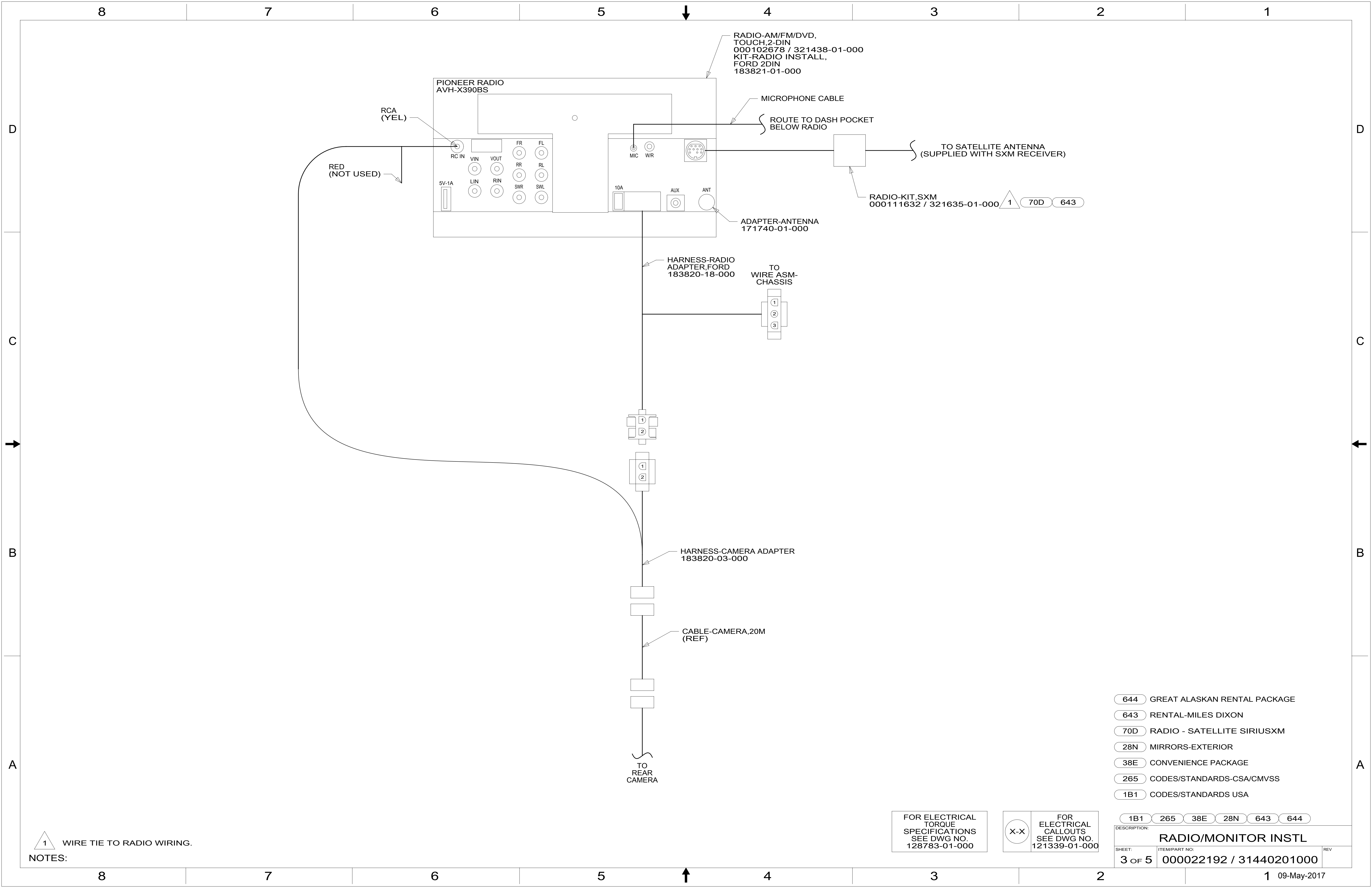
FOR ELECTRICAL TORQUE SPECIFICATIONS SEE DWG NO. 128783-01-000

FOR ELECTRICAL CALLOUTS SEE DWG NO. 121339-01-000

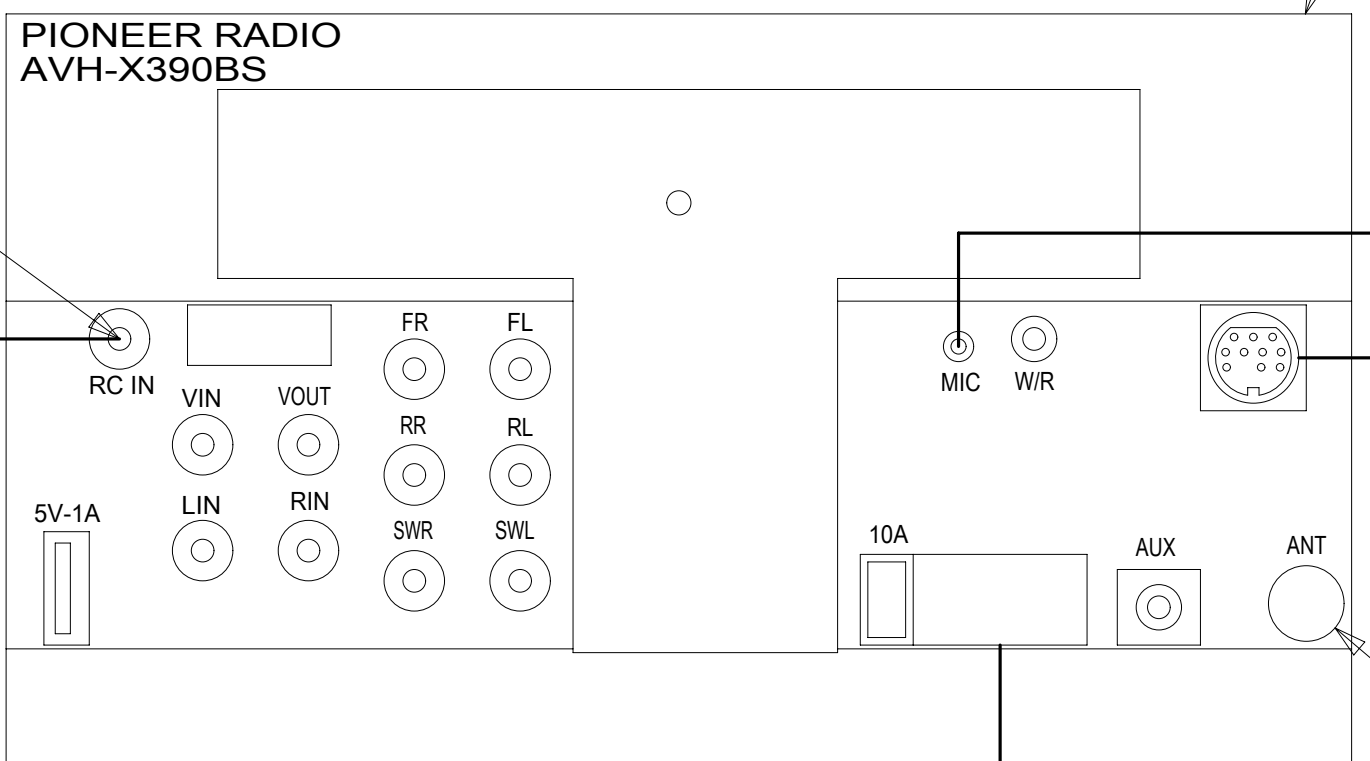
DESCRIPTION:		
<b>RADIO/MONITOR INSTL</b>		
SHEET:	ITEM/PART NO.:	REV
2 OF 5	000022192 / 31440201000	

8 7 6 5 4 3 2 1

D  
C  
B  
A



RADIO-AM/FM/DVD,  
TOUCH,2-DIN  
000102678 / 321438-01-000  
KIT-RADIO INSTALL,  
FORD 2DIN  
183821-01-000



MICROPHONE CABLE

ROUTE TO DASH POCKET  
BELOW RADIO

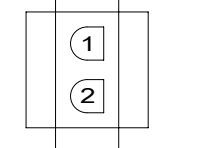
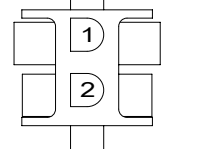
TO SATELLITE ANTENNA  
(SUPPLIED WITH SXM RECEIVER)

RADIO-KIT.SXM  
000111632 / 321635-01-000

ADAPTER-ANTENNA  
171740-01-000

HARNESS-RADIO  
ADAPTER,FORD  
183820-18-000

TO WIRE ASM-  
CHASSIS



HARNESS-CAMERA ADAPTER  
183820-03-000

CABLE-CAMERA,20M  
(REF)

TO REAR  
CAMERA

- 644 GREAT ALASKAN RENTAL PACKAGE
- 643 RENTAL-MILES DIXON
- 70D RADIO - SATELLITE SIRIUSXM
- 28N MIRRORS-EXTERIOR
- 38E CONVENIENCE PACKAGE
- 265 CODES/STANDARDS-CSA/CMVSS
- 1B1 CODES/STANDARDS USA

1B1 265 38E 28N 643 644

FOR ELECTRICAL  
TORQUE  
SPECIFICATIONS  
SEE DWG NO.  
128783-01-000

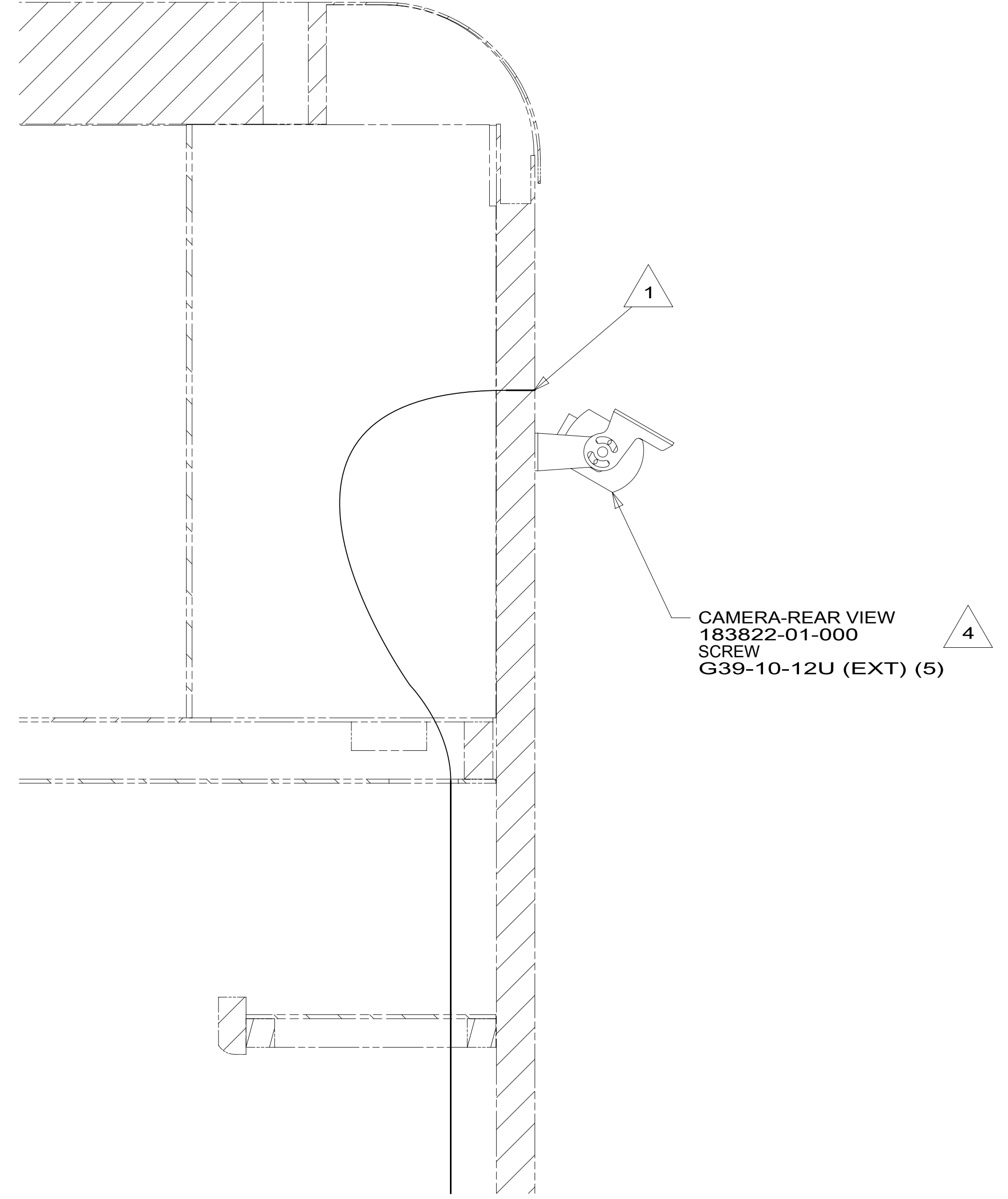
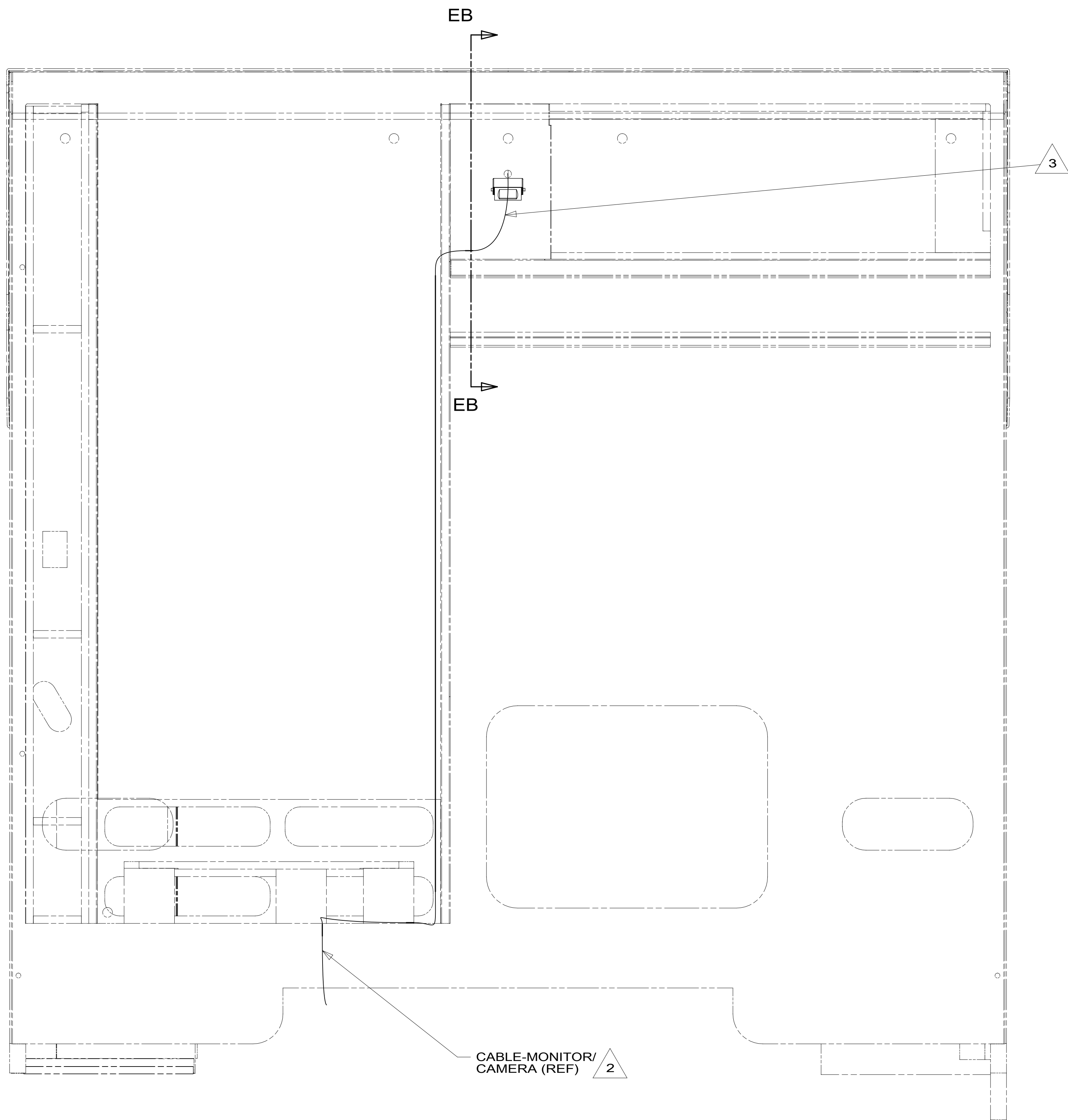
FOR ELECTRICAL  
CALLOUTS  
SEE DWG NO.  
121339-01-000

DESCRIPTION: <b>RADIO/MONITOR INSTL</b>		
SHEET: 3 OF 5	ITEM/PART NO: 000022192 / 31440201000	REV

NOTES:  
1 WIRE TIE TO RADIO WIRING.



8 7 6 5 4 3 2 1



SECTION EB-EB 38E 643

- NOTES:
- 4 ADJUST CAMERA AFTER MOUNTING SO BACKWALL IS JUST VISIBLE ON BOTTOM OF THE SCREEN.
  - 3 LEAVE CAMERA CABLE IN BOTTOM OF OVHD CABT WITHOUT 38E
  - 2 REAR MONITOR CABLE IS PART OF THE WIRE ASM-CHASSIS.
  - 1 CABLE ROUTED THRU BACKWALL.

- 643 RENTAL-MILES DIXON
- 38E CONVENIENCE PACKAGE
- 265 CODES/STANDARDS-CSA/CMVSS
- 1B1 CODES/STANDARDS USA

FOR ELECTRICAL TORQUE SPECIFICATIONS SEE DWG NO. 128783-01-000

FOR ELECTRICAL CALLOUTS SEE DWG NO. 121339-01-000

DESCRIPTION:		<b>RADIO/MONITOR INSTL</b>	
SHEET:	ITEM/PART NO.:	REV	
5 OF 5	000022192 / 31440201000		

8 7 6 5 4 3 2 1 09-May-2017