

10 INSTALL BYPASS PLUG FOR SYSTEM TESTING AND SHIPPING.

9 PARTS TO BE ASSEMBLED AND ABLE TO BE REMOVED AND STORED AS A SINGLE ASM.

8. ALL CRIMP FITTINGS TO 1/2" PEX TUBING REQUIRE 1/2" CLAMP 140171-03-000.

7. ALL CRIMP FITTINGS TO 5/8" PEX TUBING REQUIRE 5/8" CLAMP 140171-04-000.

6 LABEL HOT AND COLD SUPPLY TUBES AND TAPE FITTING TO TUBE BEFORE CABINET SET TO PREVENT MOVEMENT.

5 ADD PIPE WRAP (LADDER SCRAP 110157-02-000) INSULATION.

4 ADD TEFLON TAPE 010405-02-000.

3. ALL TUBING TO BE SECURED AT 1200 INTERVALS MAXIMUM WITH CLAMP 010495-01-000 AND SCREW 000G67-10-12U OR EQUIVALENT.

2. TUBING TO BE INSTALLED WITH SUFFICIENT SLOPE TO PROVIDE DRAINAGE TO NEAREST VALVE.

1. PLASTIC FITTINGS TO BE SEALED WITH SEALANT 084456-01-000.

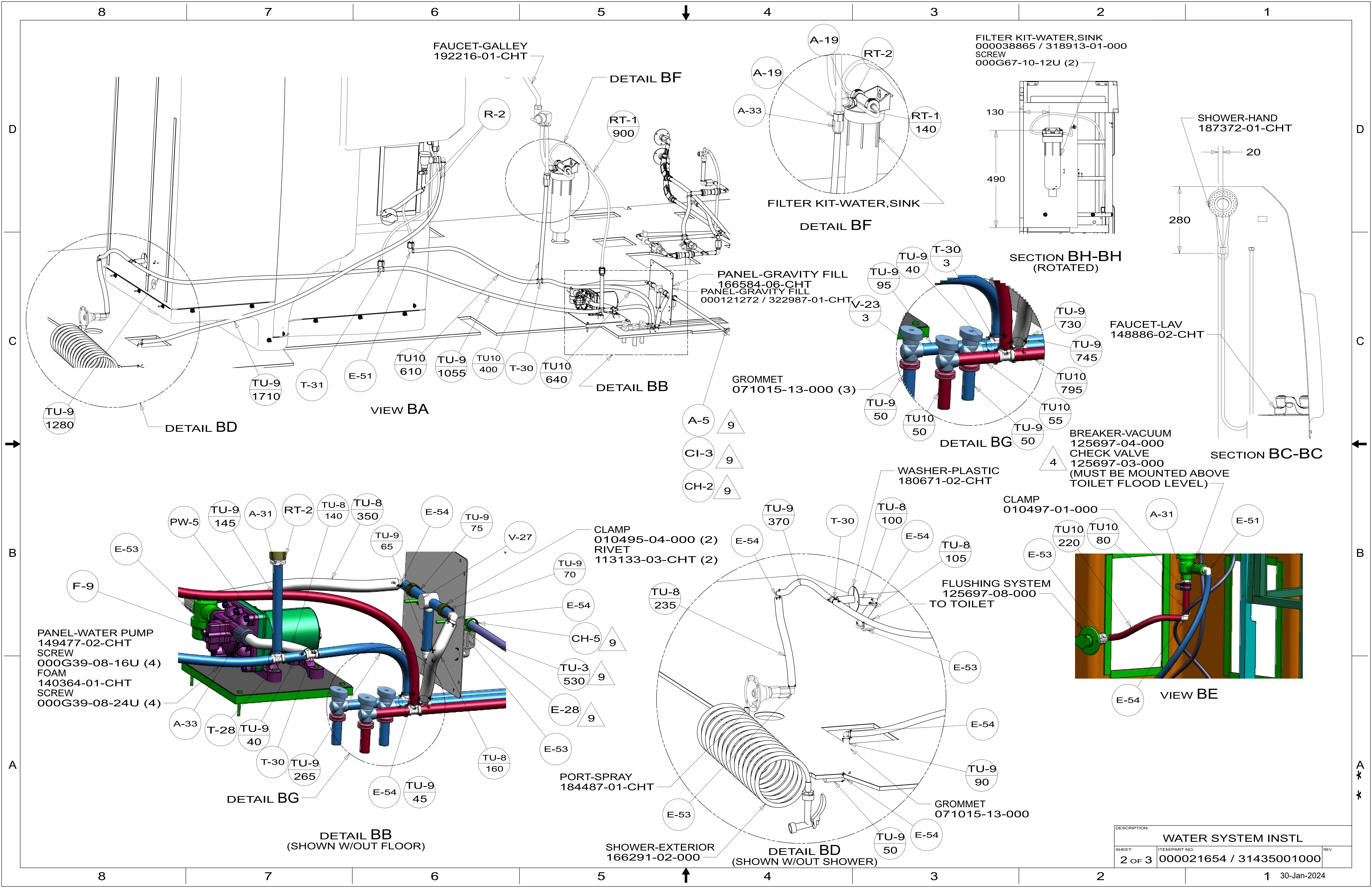
NOTES:

X-X

FOR WATER CALLOUTS SEE DWG NO. 000209446 / 303369-01-000

WINNEBAGO COPYRIGHT 2024 WINNEBAGO INDUSTRIES, INC.			
DSNR:		ALL DIMENSIONS ARE IN MILLIMETERS	
DFTR:		⊕	
UNSPECIFIED TOLERANCES:		MATERIAL:	
WHOLE DIM (X)	3		
ONE-PLACE (X.X)	1.5		
TWO-PLACE (X.XX)	0.50		
ANGLE	1°		
REFER TO ES0018 FOR FASTENER TIGHTENING GUIDELINES		WEIGHT: (LBS)	FIRST USED: (REF)
			17 259G
DESCRIPTION: WATER SYSTEM INSTL			
SHEET:	ITEM/PART NO.:	REV:	
1 OF 3	000021654 / 31435001000		
REF:		1 30-Jan-2024	

A * *



FAUCET-GALLEY
192216-01-CHT

FILTER KIT-WATER,SINK
000038865 / 318913-01-000
SCREW
000G67-10-12U (2)

PANEL-GRAVITY FILL
166584-06-CHT
PANEL-GRAVITY FILL
000121272 / 322987-01-CHT

SHOWER-HAND
187372-01-CHT

FAUCET-LAV
148886-02-CHT

BREAKER-VACUUM
125697-04-000
CHECK VALVE
125697-03-000
(MUST BE MOUNTED ABOVE
TOILET FLOOD LEVEL)

PANEL-WATER PUMP
149477-02-CHT
SCREW
000G39-08-16U (4)
FOAM
140364-01-CHT
SCREW
000G39-08-24U (4)

CLAMP
010495-04-000 (2)
RIVET
113133-03-CHT (2)

WASHER-PLASTIC
180671-02-CHT

CLAMP
010497-01-000

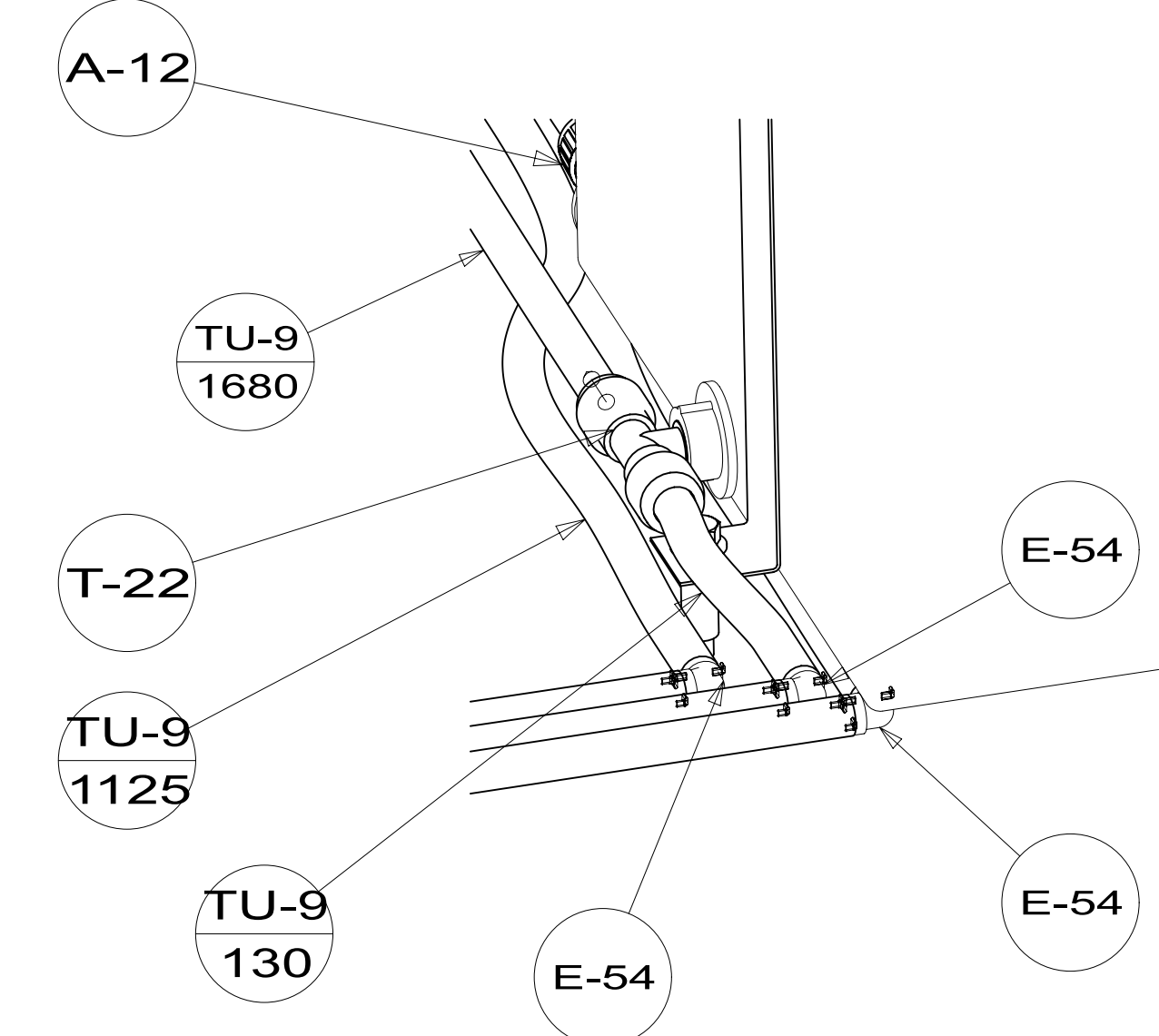
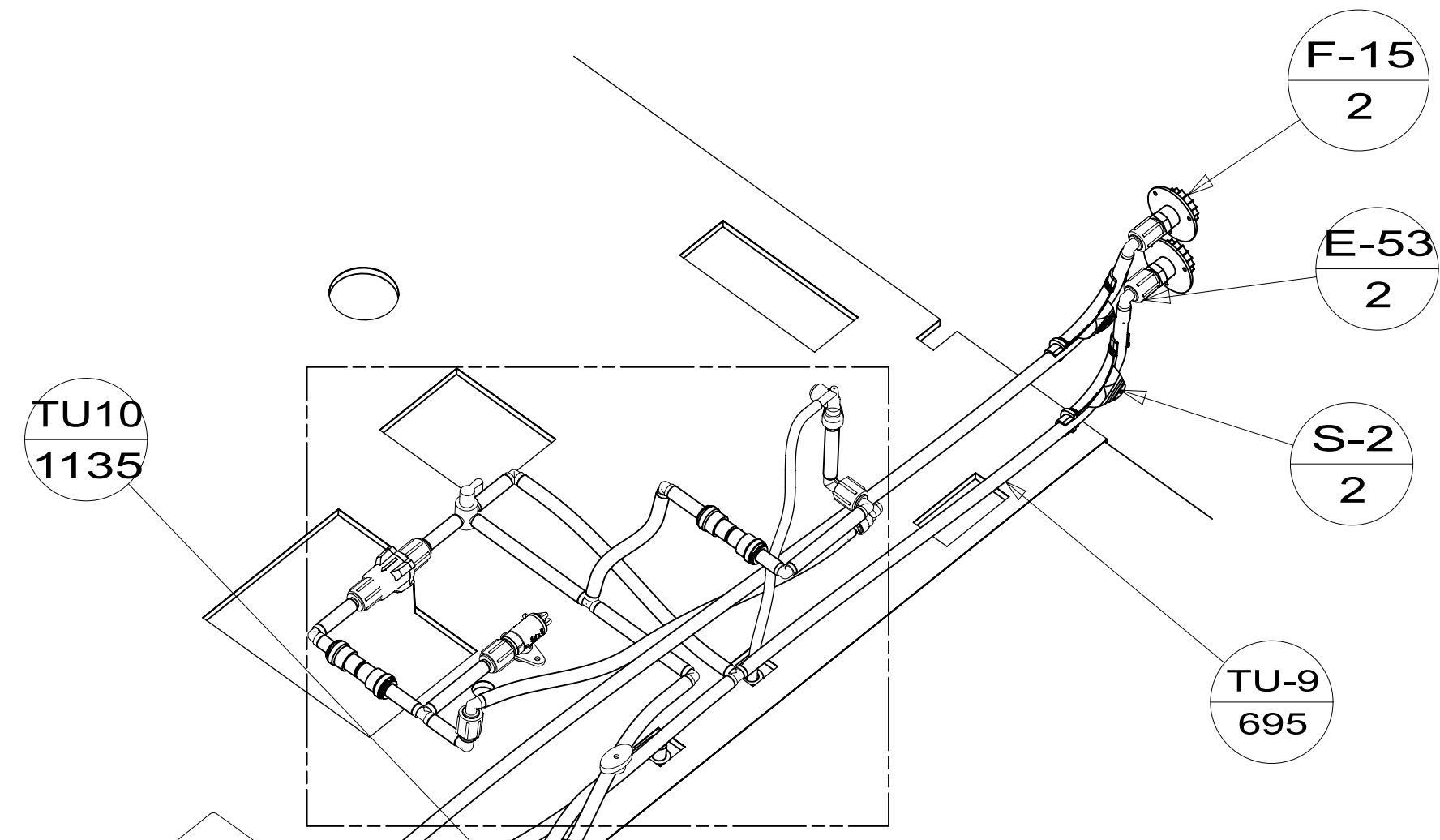
FLUSHING SYSTEM
125697-08-000
TO TOILET

PORT-SPRAY
184487-01-CHT

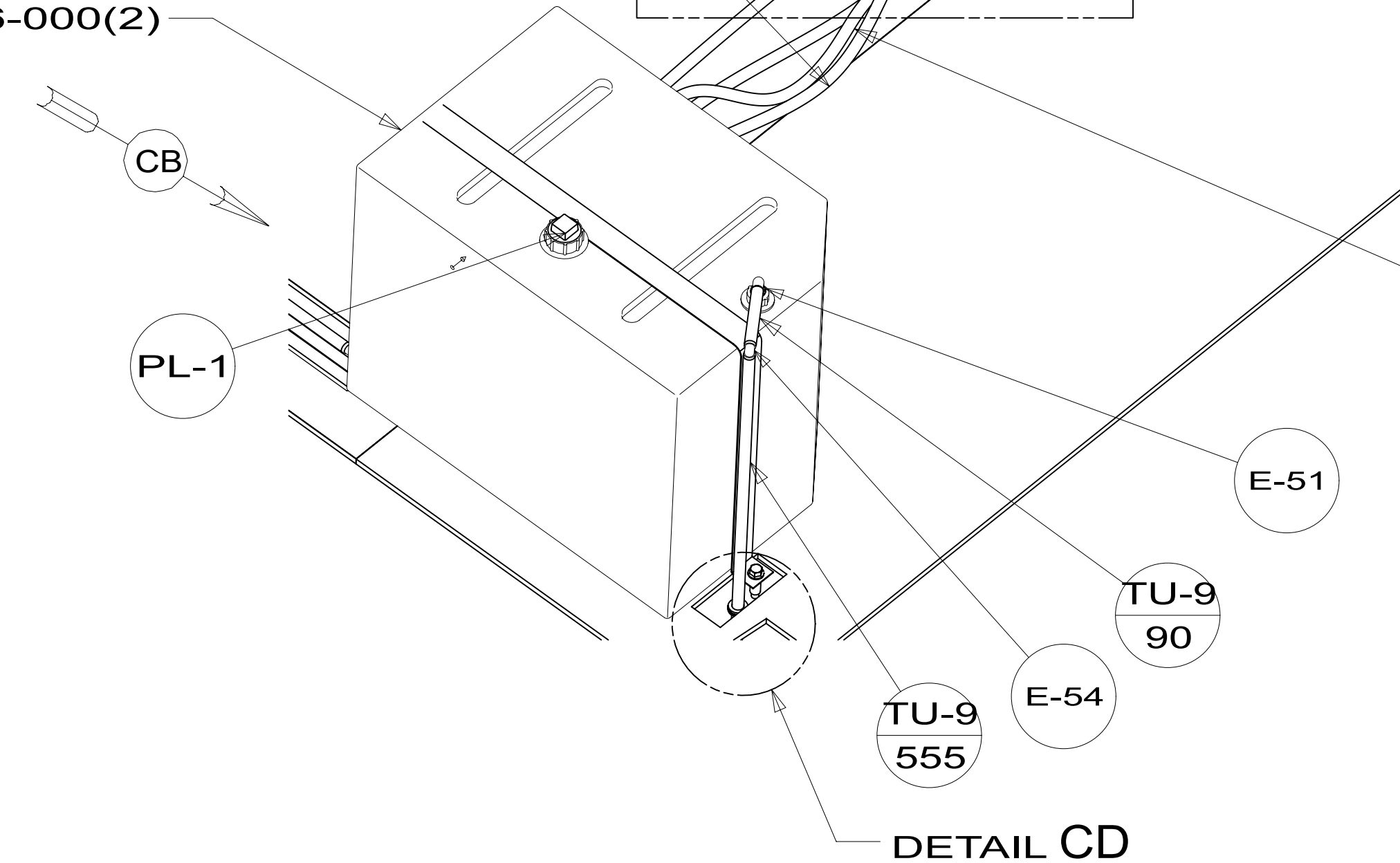
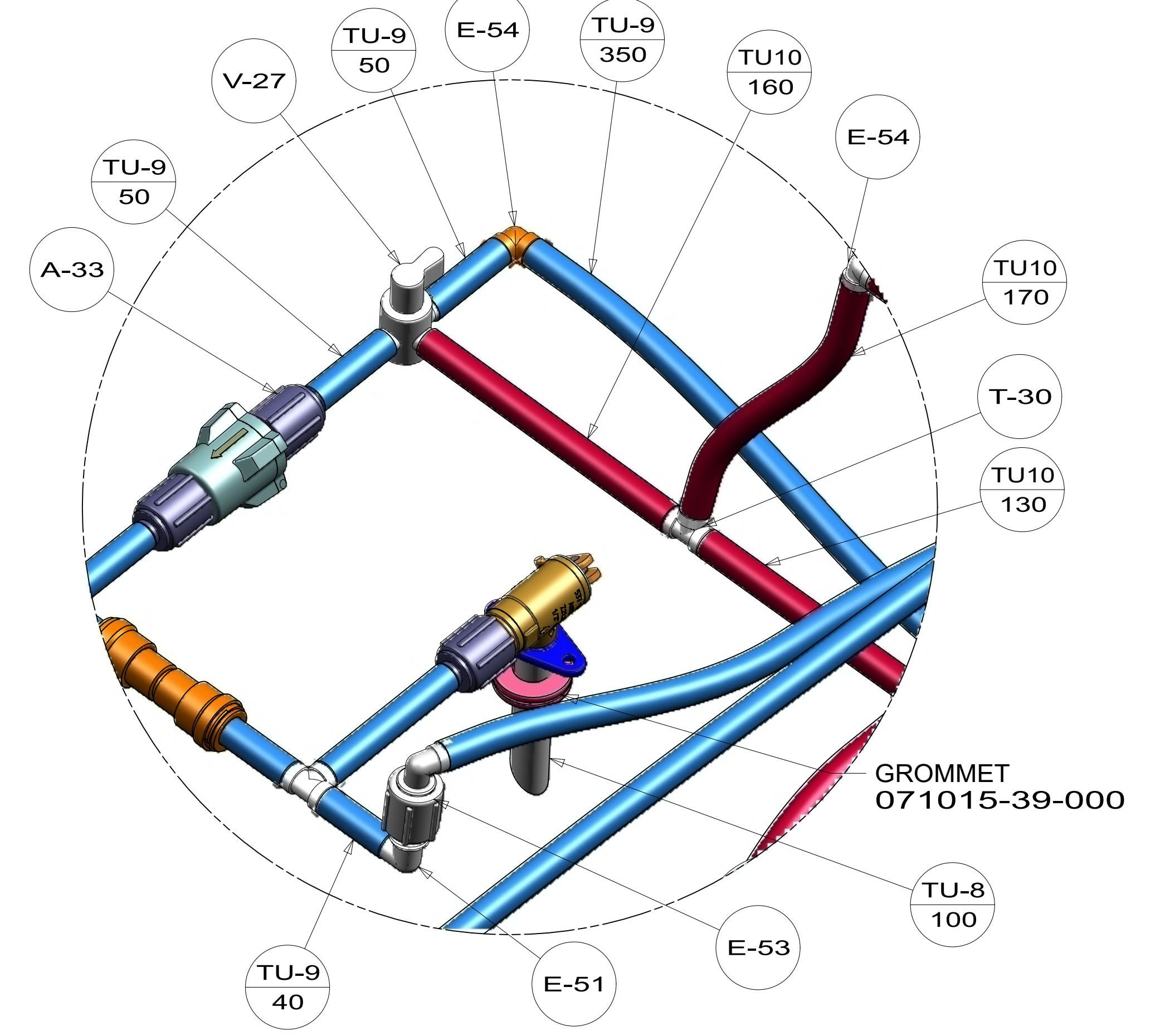
SHOWER-EXTERIOR
166291-02-000

DESCRIPTION:		
WATER SYSTEM INSTL		
SHEET:	ITEM/PART NO.:	REV
2 OF 3	000021654 / 31435001000	

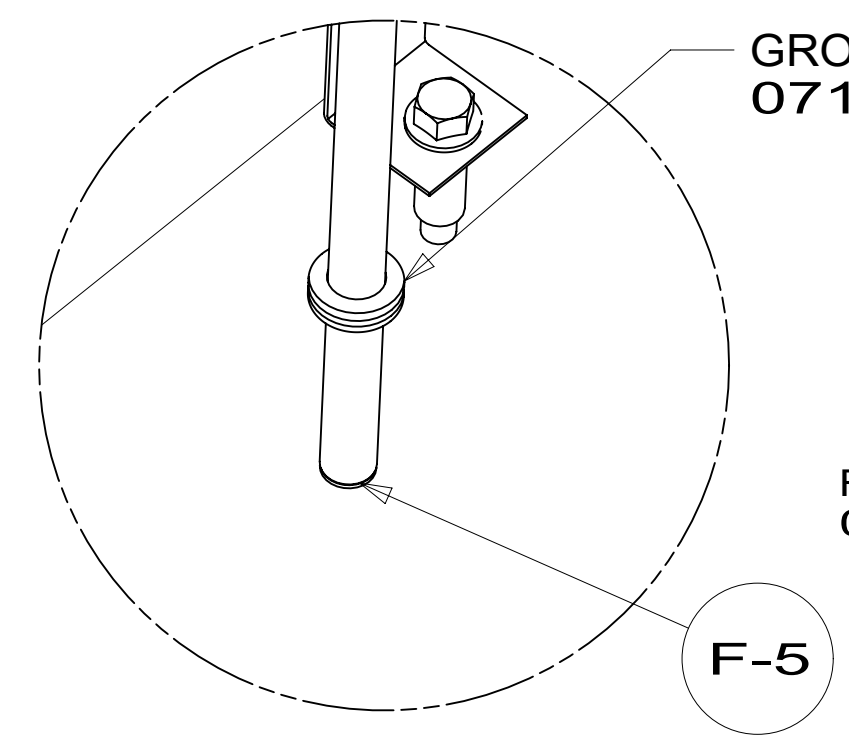
TANK ASM-WATER,23 GAL
 186664-02-000
 STRAP
 118994-09-CHT
 BOLT
 000C26-06-28U(2)
 RIVNUT
 063729-11-000(2)
 NUT-SERT
 039715-06-000(2)



VIEW CB
 (SHOWN W/OUT FLOOR)

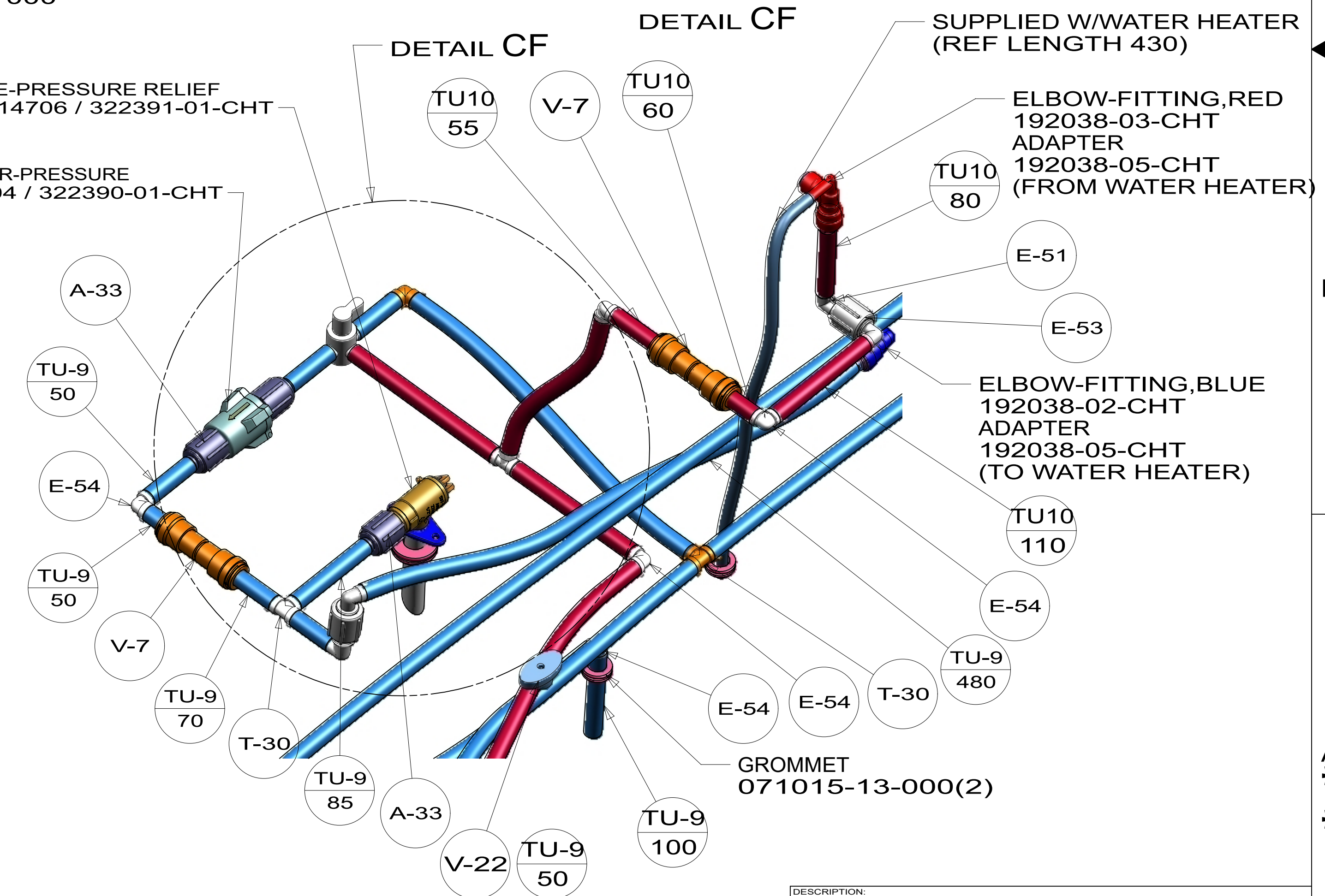


VIEW CA



DETAIL CD
 (SHOWN W/OUT FLOOR)

VALVE-PRESSURE RELIEF
 000114706 / 322391-01-CHT
 REGULATOR-PRESSURE
 000114704 / 322390-01-CHT



DETAIL CE
 (SHOWN W/OUT FLOOR)

DESCRIPTION:		
WATER SYSTEM INSTL		
SHEET:	ITEM/PART NO.:	REV
3 OF 3	000021654 / 31435001000	