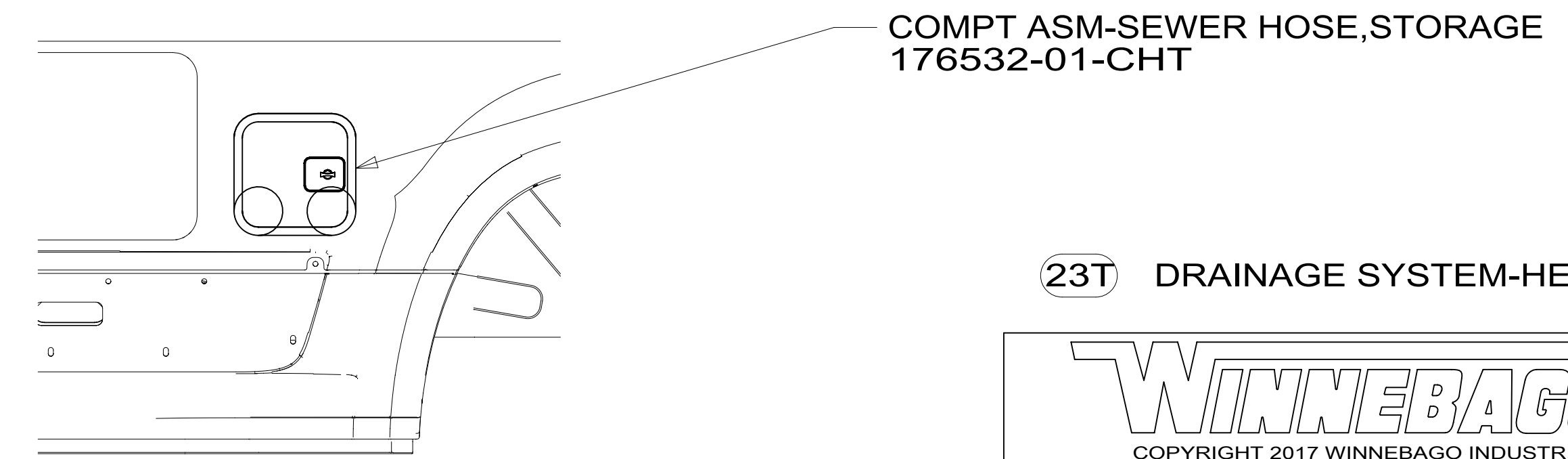
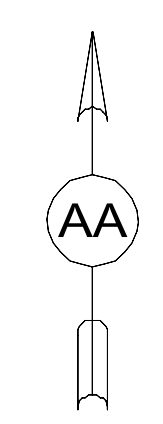


15. ATTACH SEAL TO BRACE WHERE IT CONTACTS HEATER PAD.
14. PREP THE SURFACE PER MANUFACTURERS INSTRUCTIONS BEFORE APPLYING THE HEATING PAD.
13. SEE WIRING INSTL-BODY FOR ELECTRICAL CONNECTIONS.
12. REMOVE CAP FROM CONNECTOR 114974-01-000, INSTALL SCREEN 191399-01-000 OVER HOLE, RE-INSTALL CAP.
11. USE CLEAR SILICONE TO SEAL THE SINK TO THE SHOWER SURROUND.
10. TRIM TO FIT.
9. ALL CRIMP FITTINGS TO 1/2" PEX TUBING REQUIRE 1/2" CLAMP 140171-03-000.
8. NIPPLE TO BE TRIMMED TO LENGTH ON INSTALL.
7. SECURE VENT PIPE WITH CLAMP 062401-02-000.
6. VENT PIPE MUST PROJECT 51 MIN AND 64 MAX ABOVE ROOF FOR PROPER FIT AND FUNCTION.
5. SEAL AROUND SHOWER WITH SILICONE.
4. SECURE DRAINAGE PIPES TO CABINET USING WIRE TIE 108046-02-000, AND SCREW 000G67-10-12U AT INTERVALS OF NOT MORE THAN 4 FEET APART.
3. ALL PIPE AND FITTINGS TO BE ASSEMBLED WITH SOLVENT 004020-01-000 (USA), 004020-02-000 (CAN)
2. SLOPE OF TRAP ARM MUST BE 6 PER 305 mm.
1. SLOPE OF HORIZONTAL PIPING TO BE MINIMUM OF 3 PER 305 mm.

NOTES:



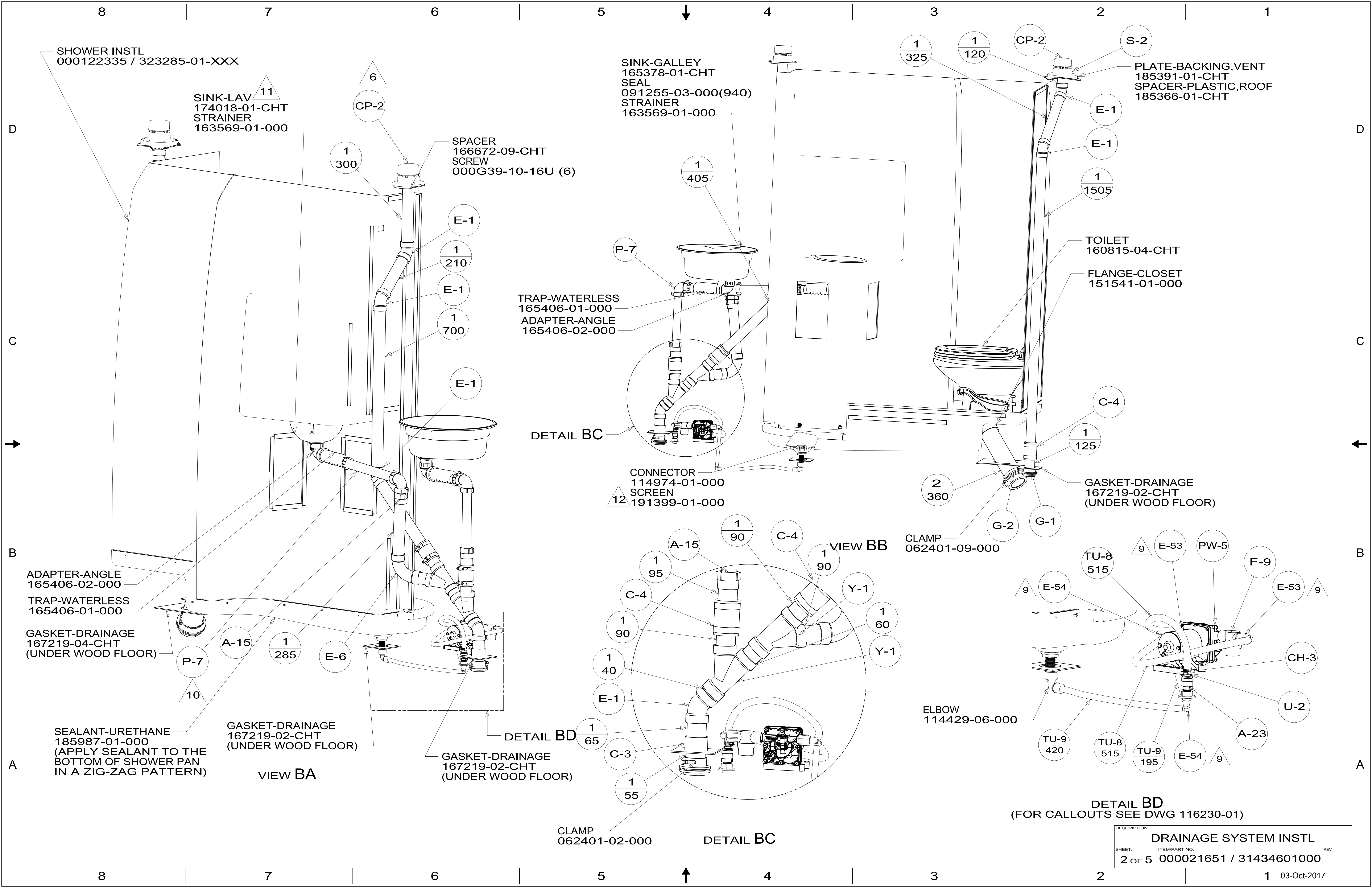
VIEW AA

FOR
DRAINAGE
CALLOUTS
SEE DWG NO.
000211962 /
303370-01-000

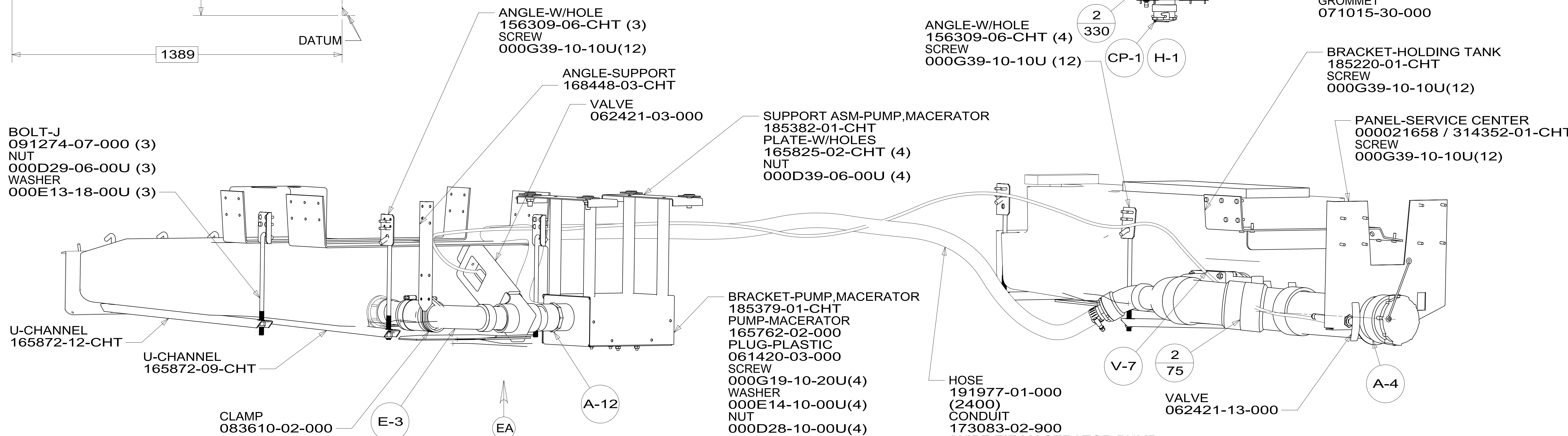
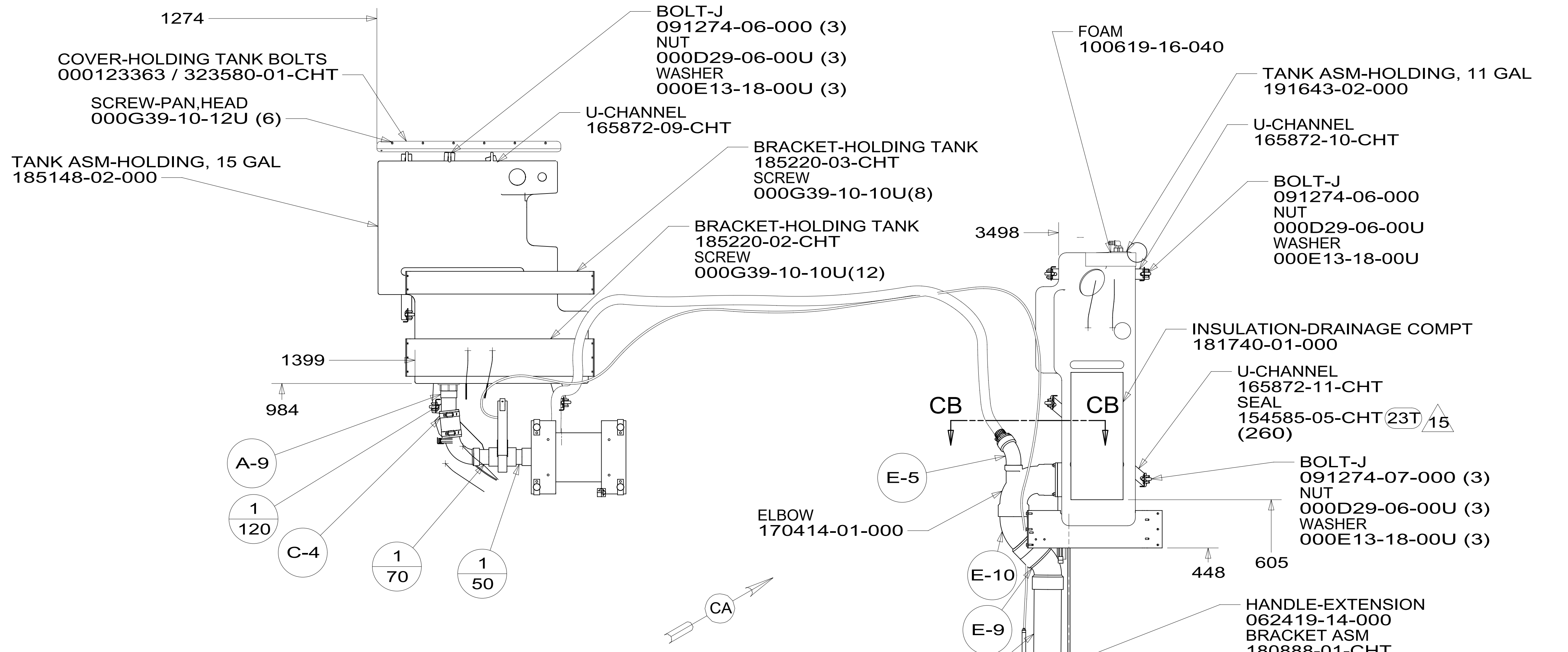
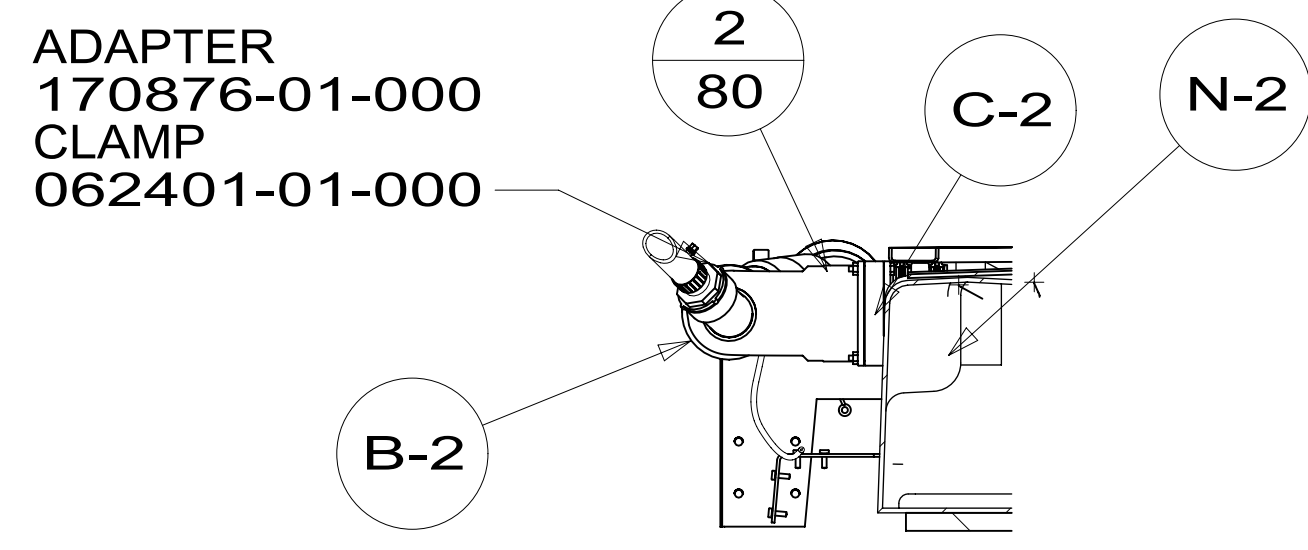
(23T) DRAINAGE SYSTEM-HEATED



DSNR:		ALL DIMENSIONS ARE IN MILLIMETERS	
DIFTR:		MATERIAL:	
UNSPECIFIED TOLERANCES:			
WHOLE DIM (X)	3		
ONE-PLACE (X.X)	1.5		
TWO-PLACE (X.XX)	0.50		
ANGLE	1°		
REFER TO ES0018 FOR FASTENER TIGHTENING GUIDELINES		WEIGHT: (LBS)	FIRST USED: (REF)
			17 259G
DESCRIPTION:			
DRAINAGE SYSTEM INSTL			
SHEET:	ITEM/PART NO.:	REV	
1 OF 5	000021651 / 31434601000		

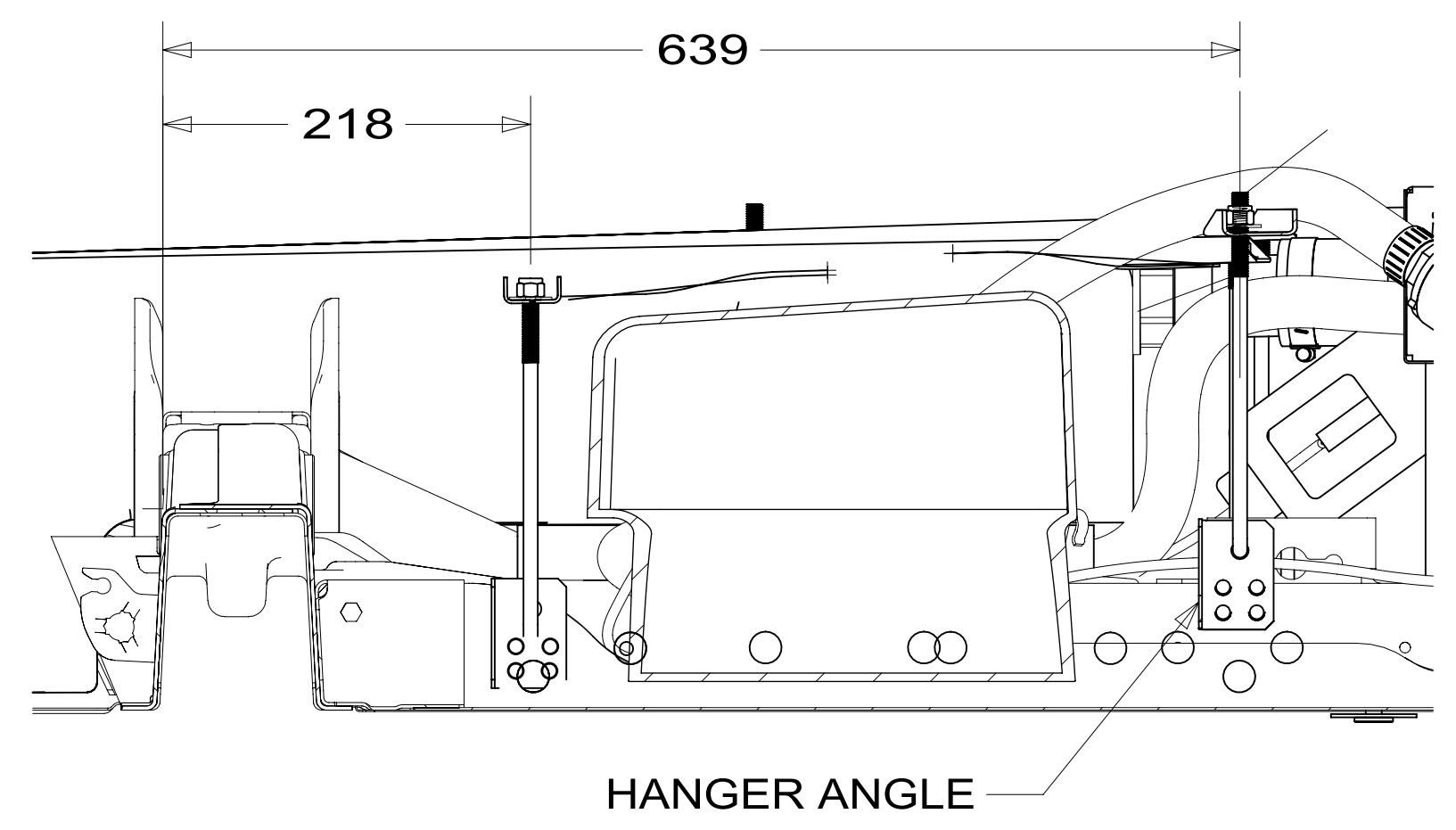
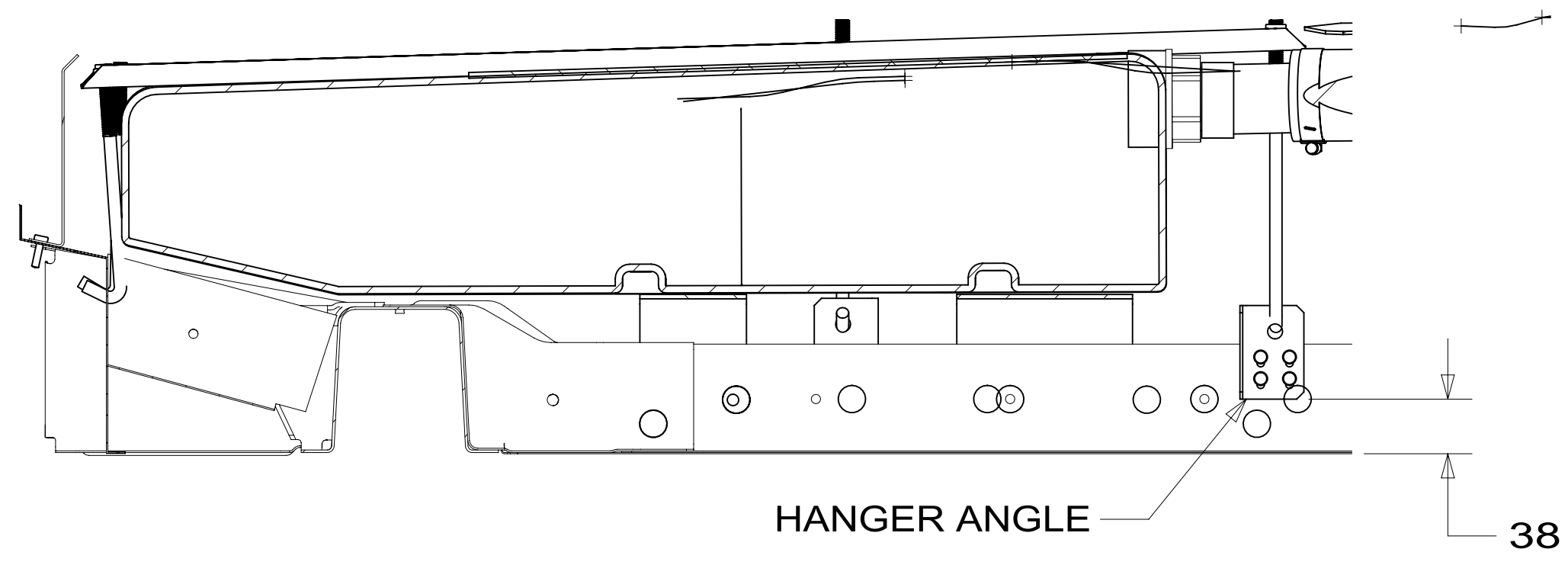
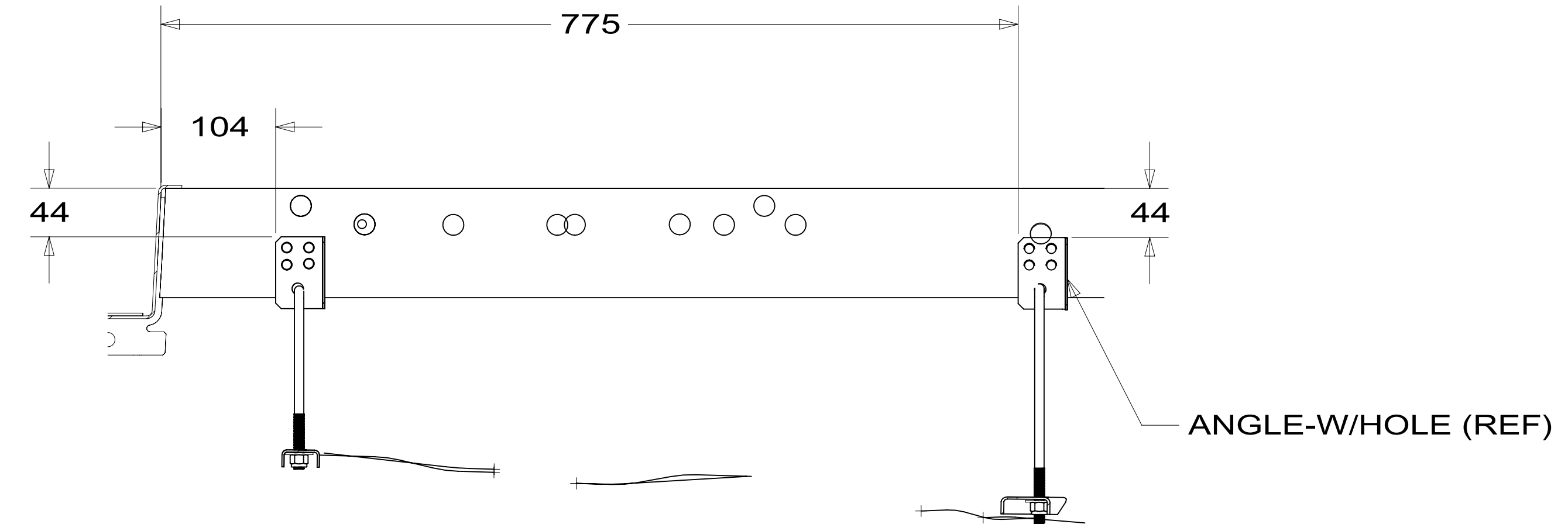
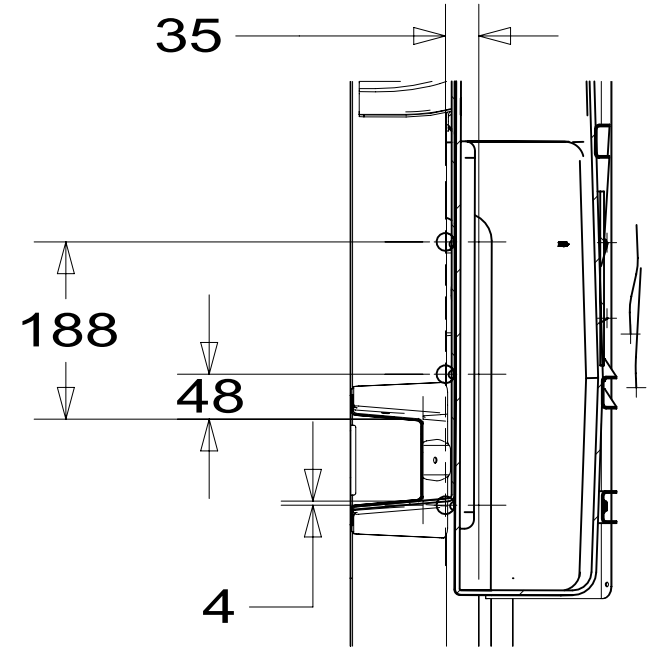
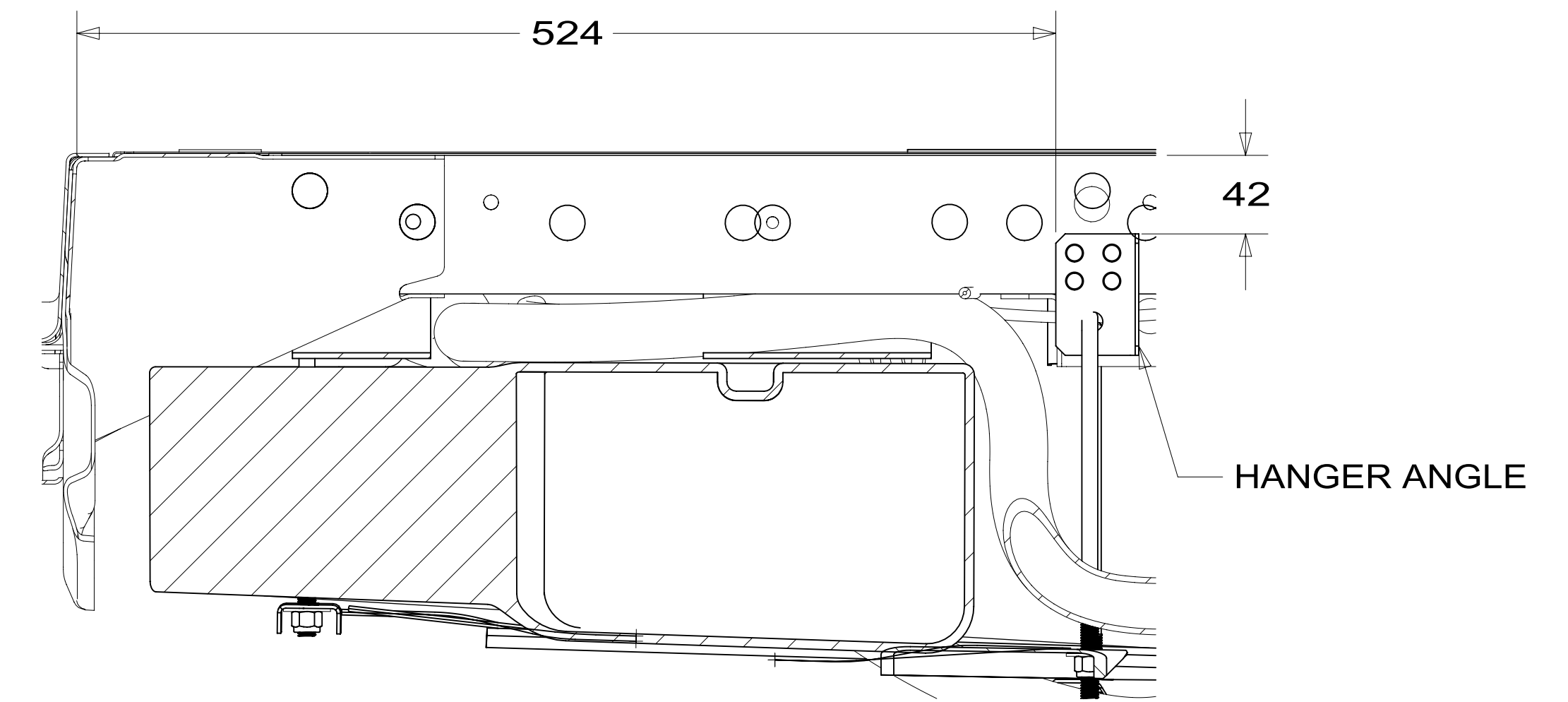
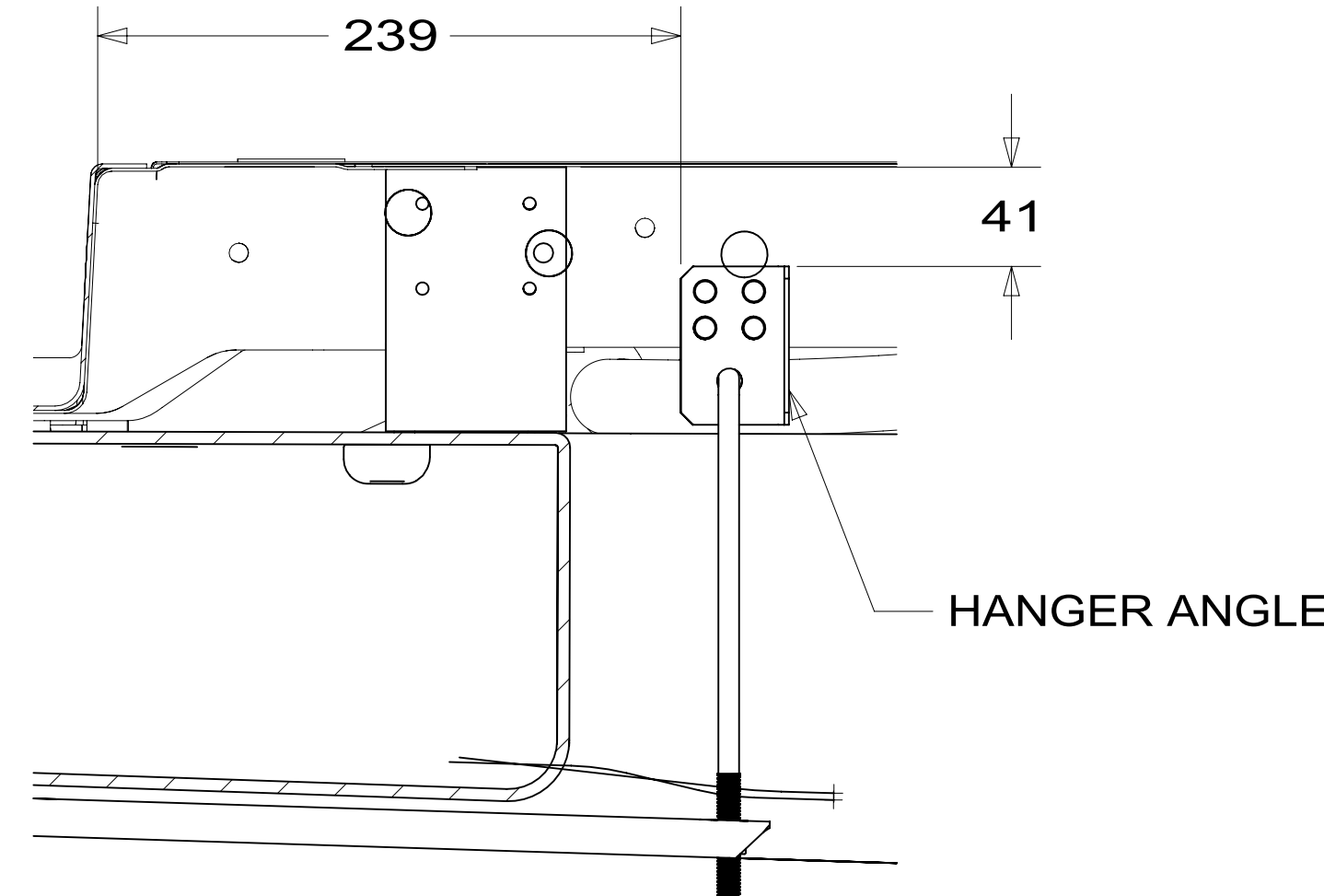
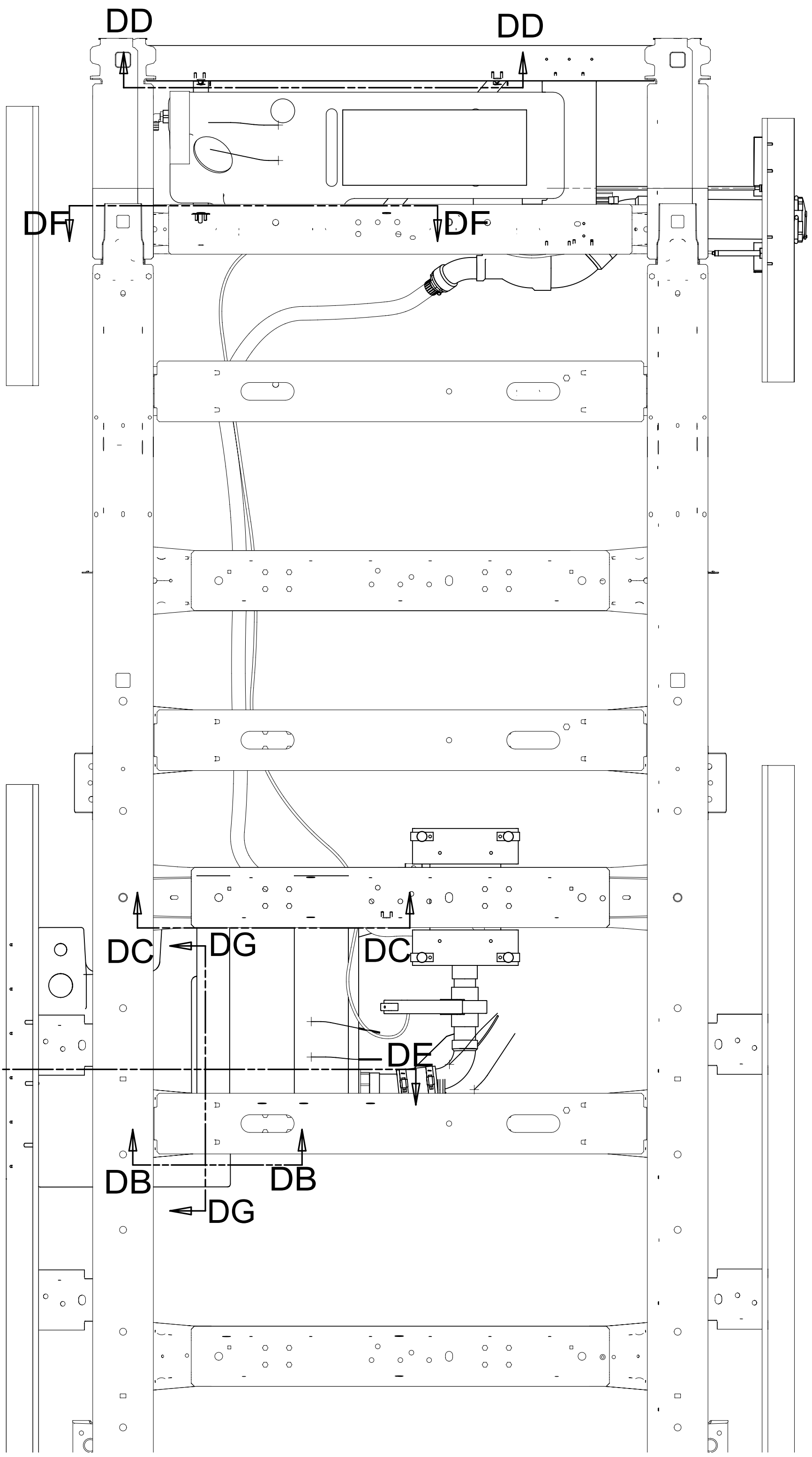
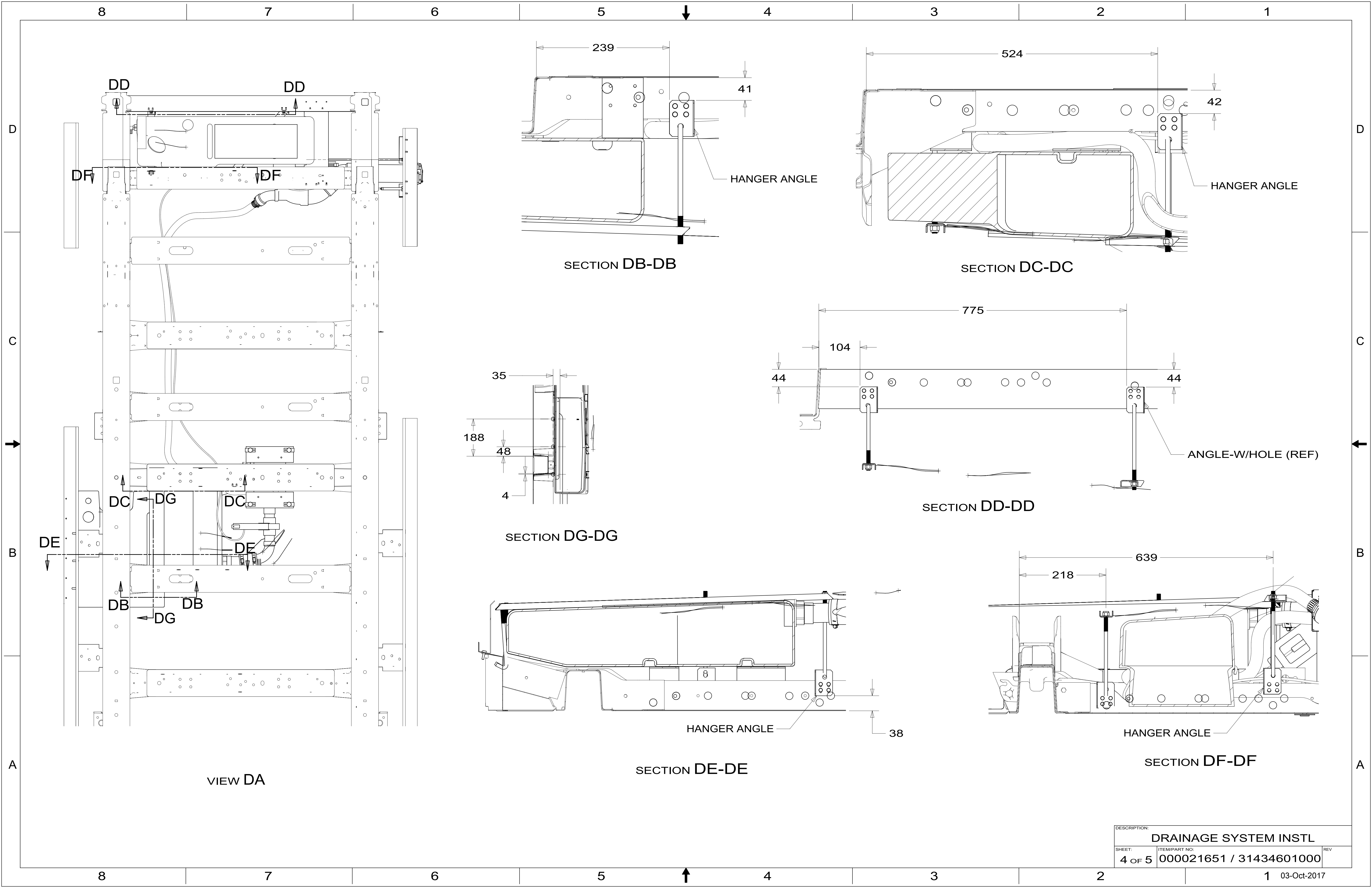


DESCRIPTION:		
DRAINAGE SYSTEM INSTL		
SHEET:	ITEM/PART NO.:	REV
2 OF 5	000021651 / 31434601000	

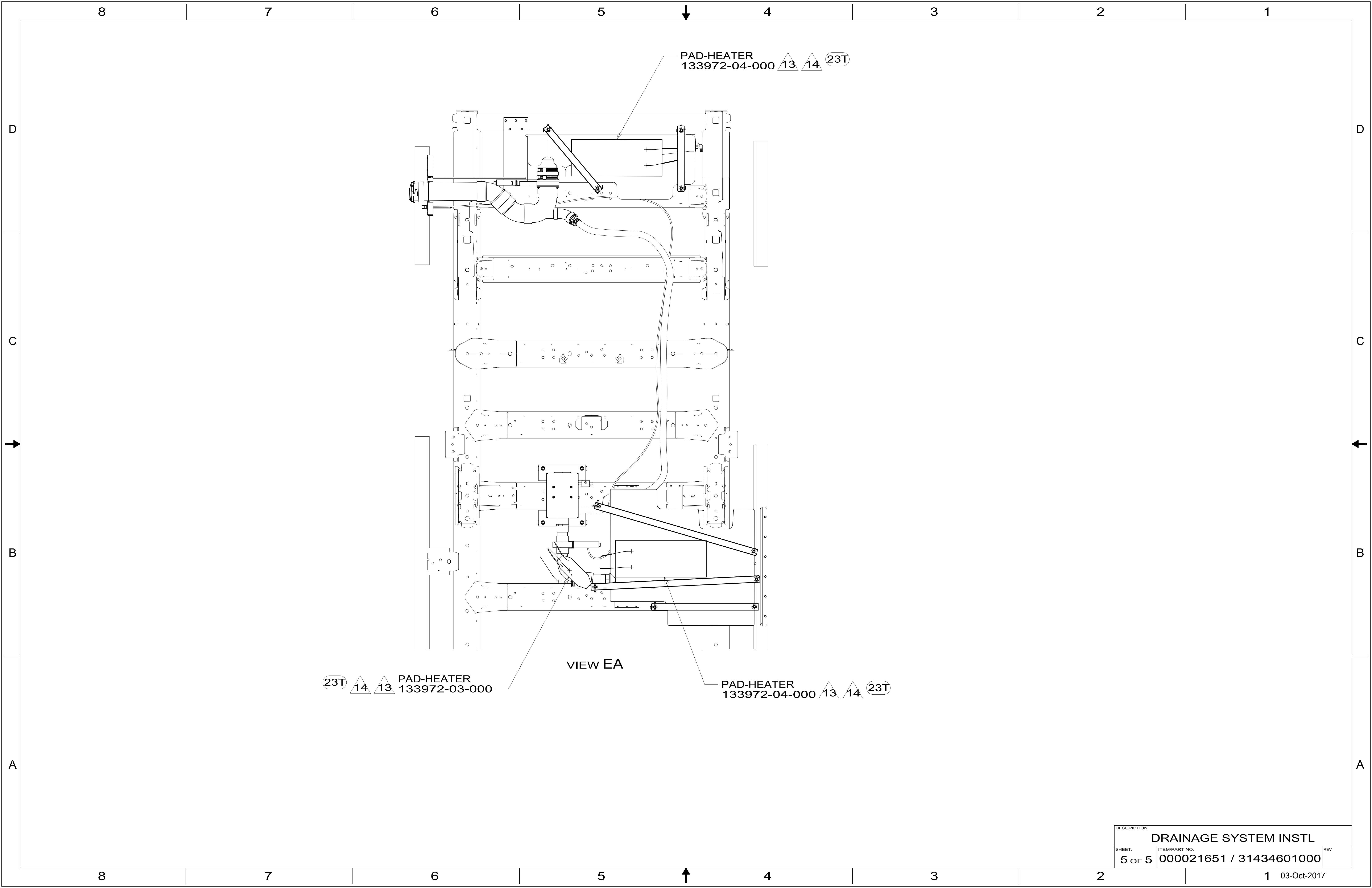


VIEW CA

DESCRIPTION: DRAINAGE SYSTEM INSTL		
SHEET: 3 OF 5	ITEM/PART NO: 000021651 / 31434601000	REV



DESCRIPTION:		
DRAINAGE SYSTEM INSTL		
SHEET:	ITEM/PART NO:	REV
4 OF 5	000021651 / 31434601000	



PAD-HEATER
133972-04-000 / 13 / 14 / 23T

23T / 14 / 13 PAD-HEATER
133972-03-000

VIEW EA

PAD-HEATER
133972-04-000 / 13 / 14 / 23T

DESCRIPTION: DRAINAGE SYSTEM INSTL		
SHEET: 5 OF 5	ITEM/PART NO: 000021651 / 31434601000	REV
1 03-Oct-2017		