

- 9. ALL CRIMP FITTINGS TO 3/4" PEX TUBING REQUIRE 3/4" CLAMP 140171-05-000.
- 8. ALL CRIMP FITTINGS TO 1/2" PEX TUBING REQUIRE 1/2" CLAMP 140171-03-000.
- 7. ALL CRIMP FITTINGS TO 5/8" FLEX TUBING REQUIRE 5/8" CLAMP 140171-04-000.
- 6 LABEL HOT AND COLD SUPPLY TUBES AND TAPE FITTING TO TUBE BEFORE CABINET SET TO PREVENT MOVEMENT.
- 5 ADD PIPE WRAP (LADDER SCRAP 110157-02-000) INSULATION.
- 4 ADD TEFLON TAPE 010405-01-000.
- 3. ALL TUBING TO BE SECURED AT 1200 INTERVALS MAXIMUM WITH CLAMP 010495-01-000 AND SCREW 000G67-10-12U OR EQUIVALENT.
- 2. TUBING TO BE INSTALLED WITH SUFFICIENT SLOPE TO PROVIDE DRAINAGE TO NEAREST VALVE.
- 1. PLASTIC FITTINGS TO BE SEALED WITH SEALANT 084456-01-000.

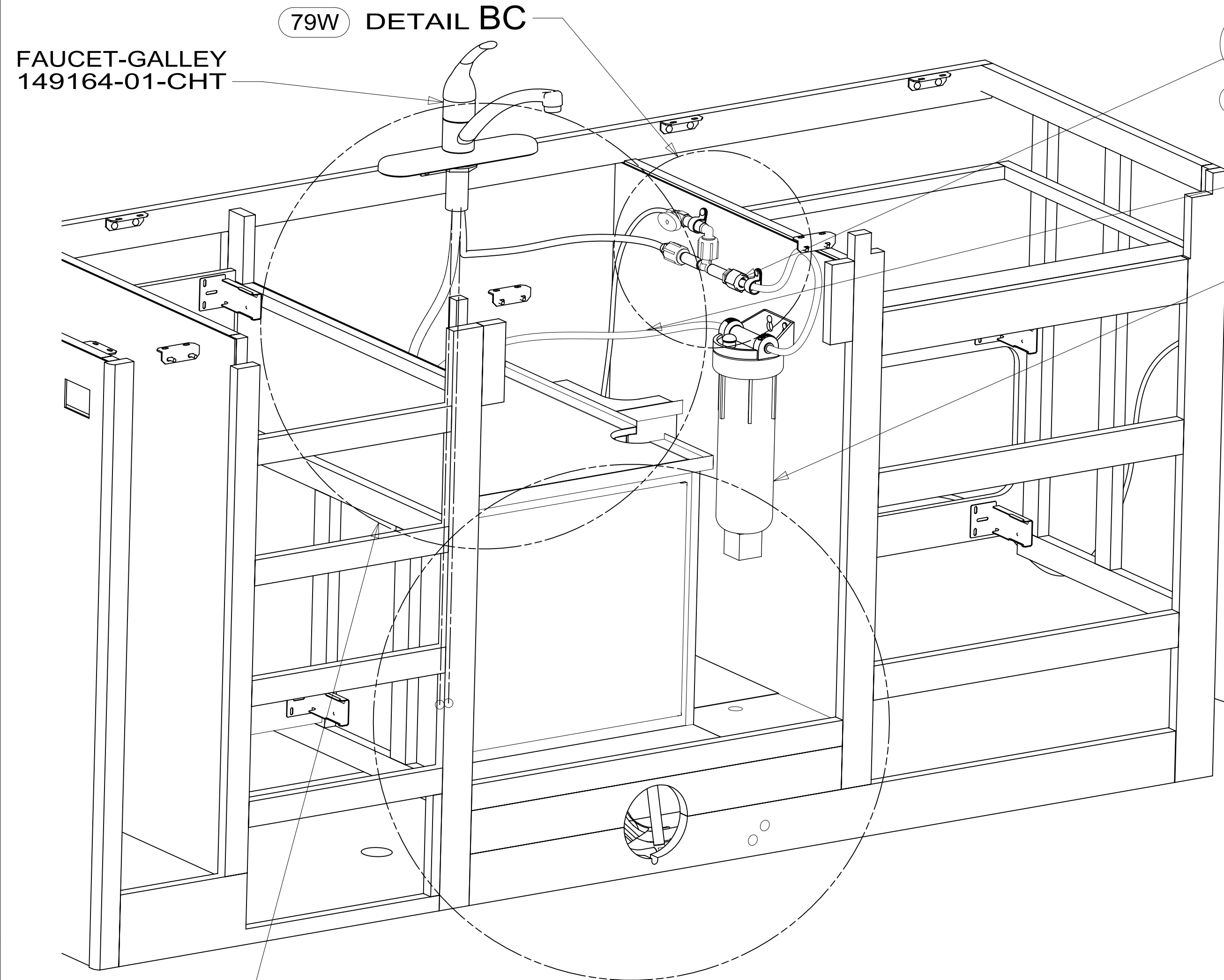
NOTES:

- 79W REFRIGERATOR-4 DOOR
- 144 REFRIGERATOR-DOUBLE DOOR

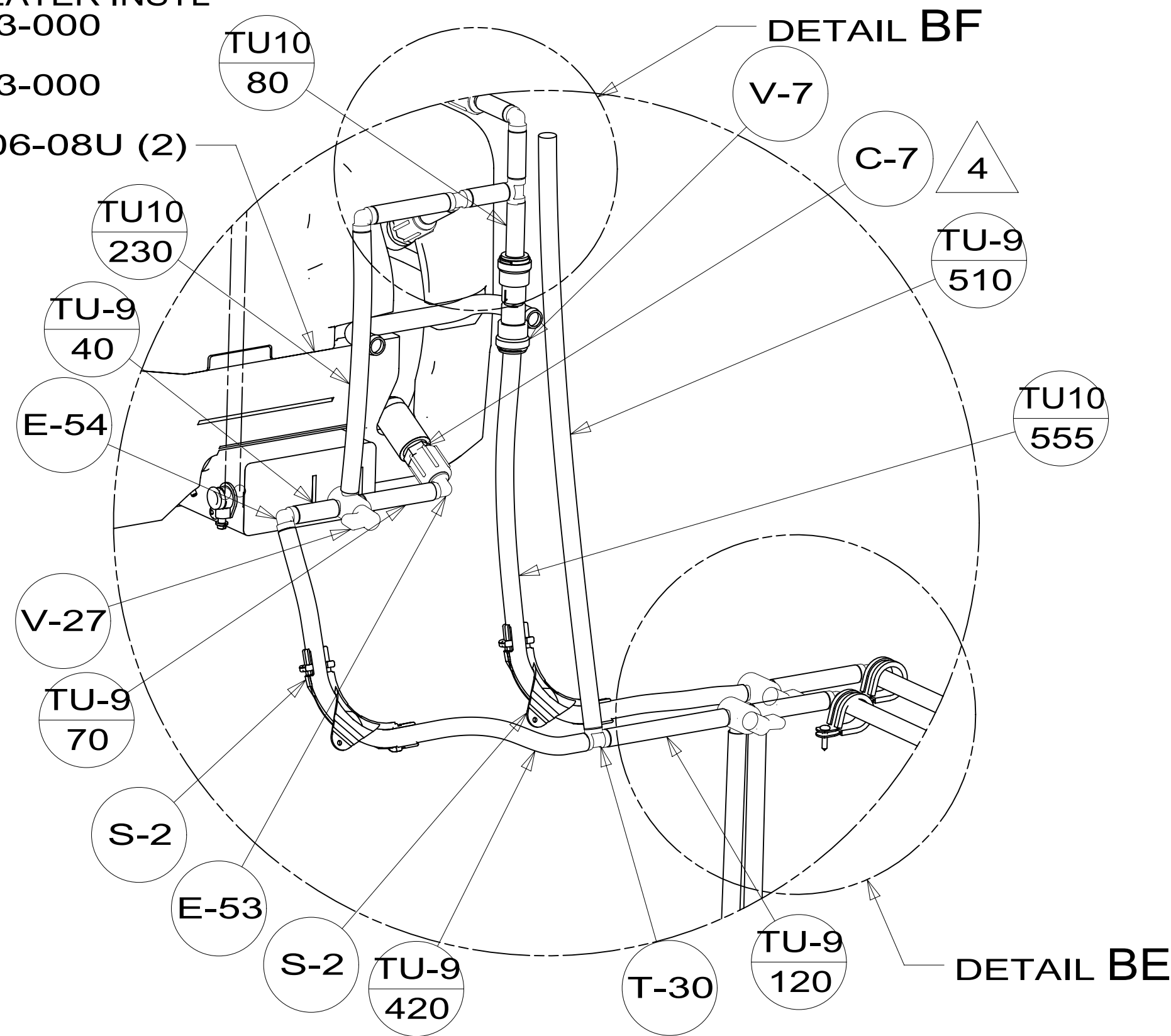


DSNR:		ALL DIMENSIONS ARE IN MILLIMETERS	
DIFFR:		MATERIAL:	
UNSPECIFIED TOLERANCES:			
WHOLE DIM (X)	3		
ONE-PLACE (X.X)	1.5		
TWO-PLACE (X.XX)	0.50		
ANGLE	1°		
REFER TO ES0018 FOR FASTENER TIGHTENING GUIDELINES		WEIGHT: (LBS)	FIRST USED: (REF)
			17 727K
DESCRIPTION: WATER SYSTEM INSTL			
SHEET: 1 OF 4	ITEM/PART NO: 000019759 / 31466601000	REV	

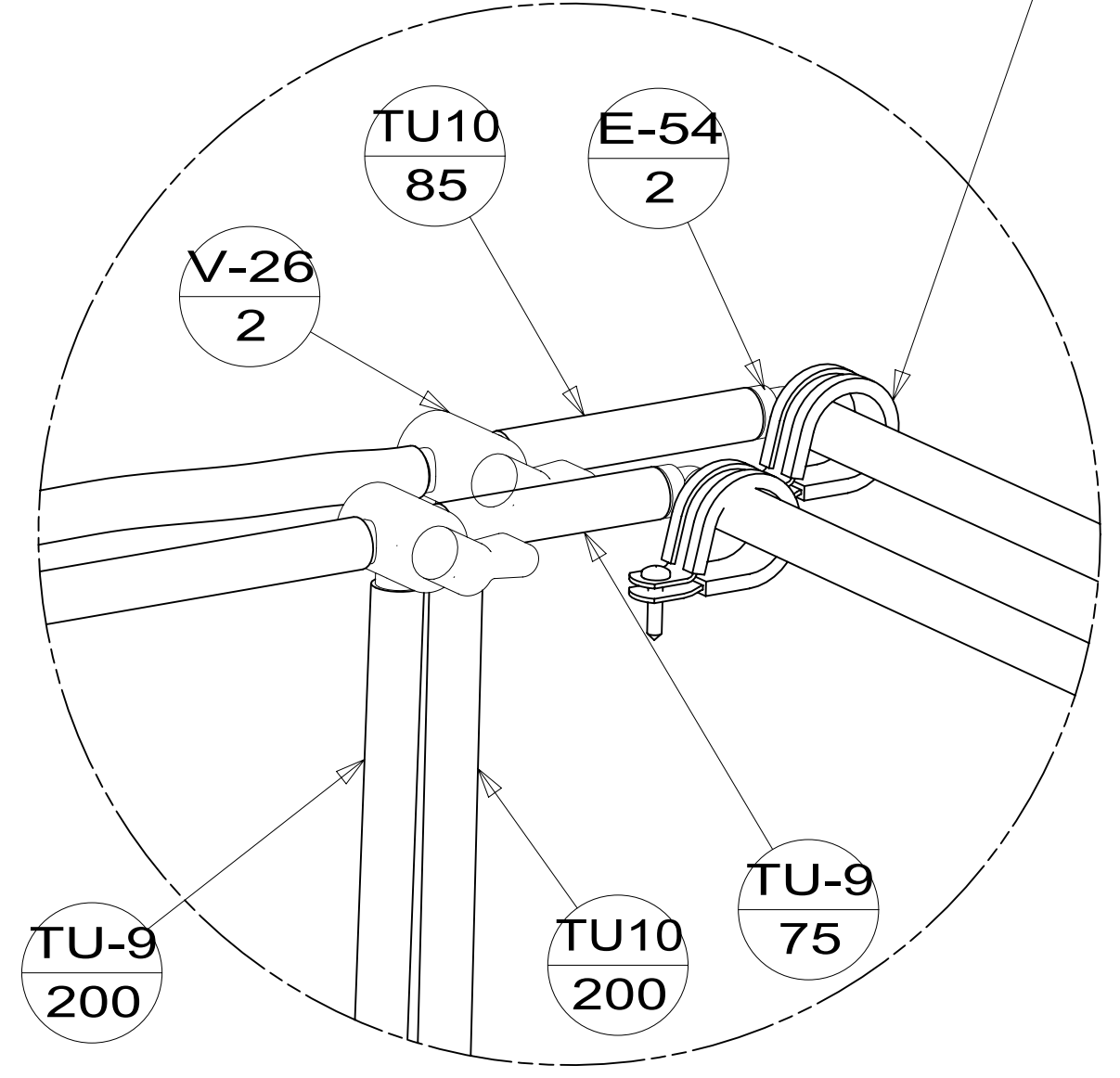
X-X
FOR WATER CALLOUTS SEE DWG NO. 000209446 / 303369-01-000



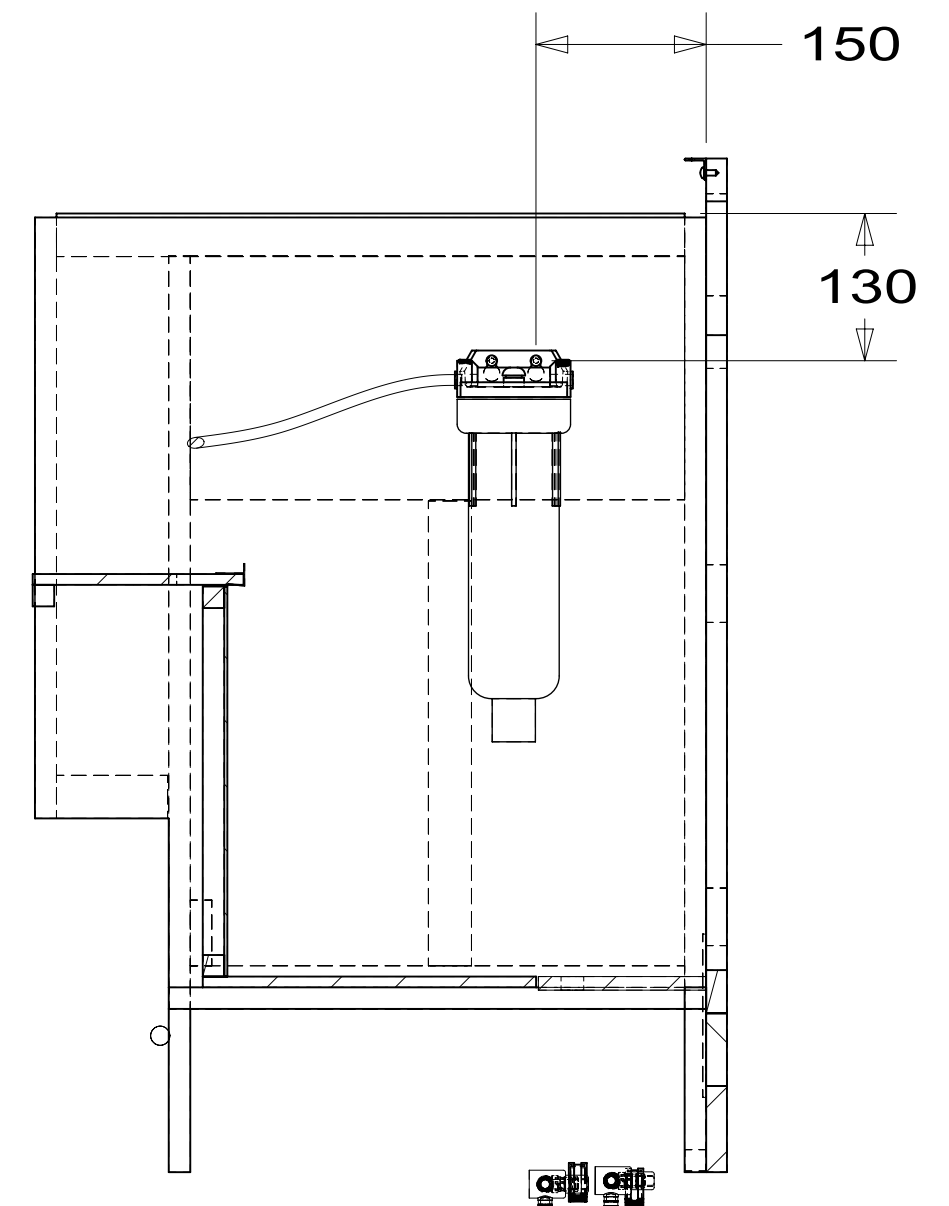
WATER HEATER INSTL
 186899-03-000
 CABLE
 076767-03-000
 SCREW
 000G11-06-08U (2)



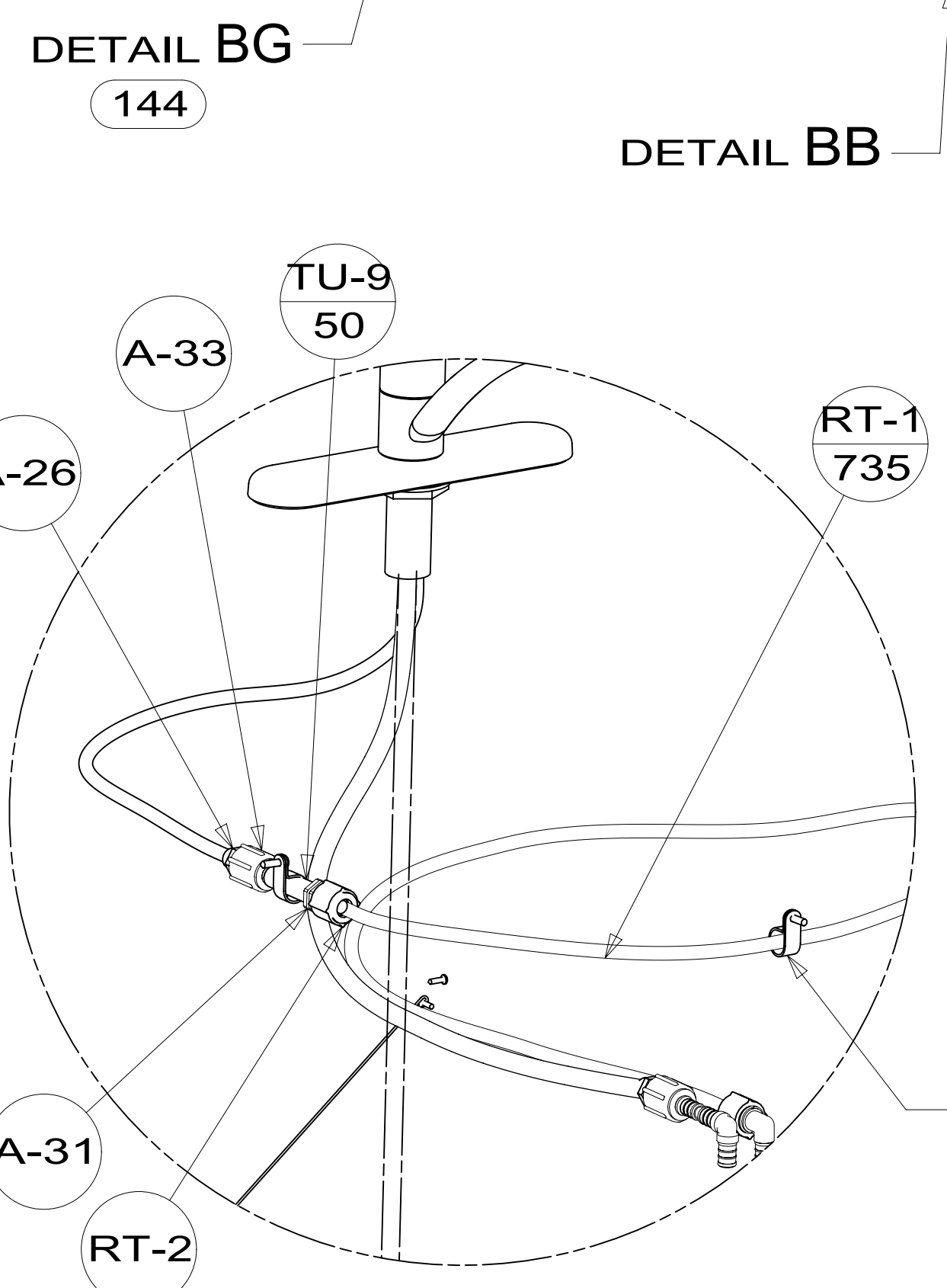
DETAIL BB
 (SHOWN W/OUT CABINETS & FLOOR)



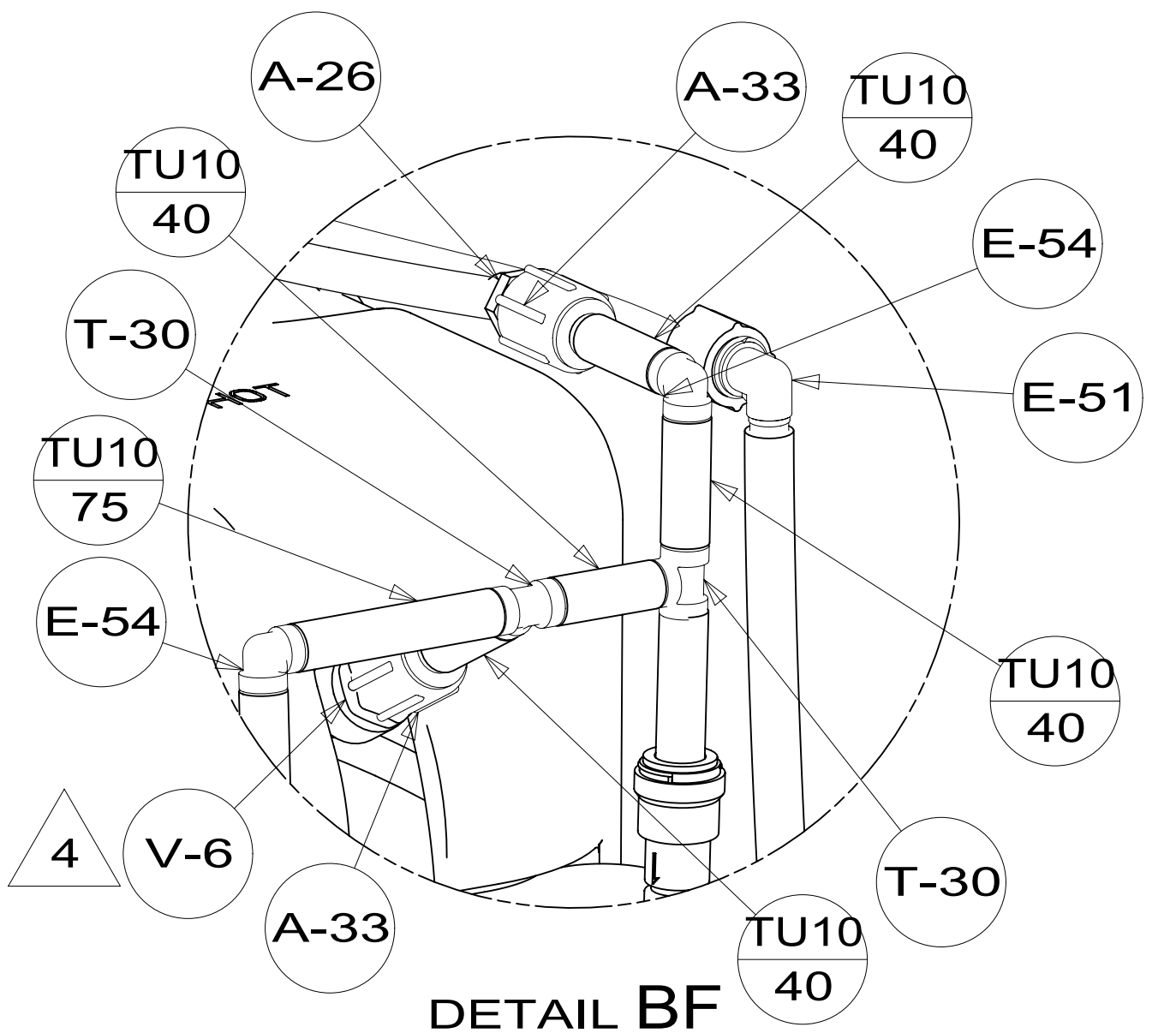
DETAIL BE



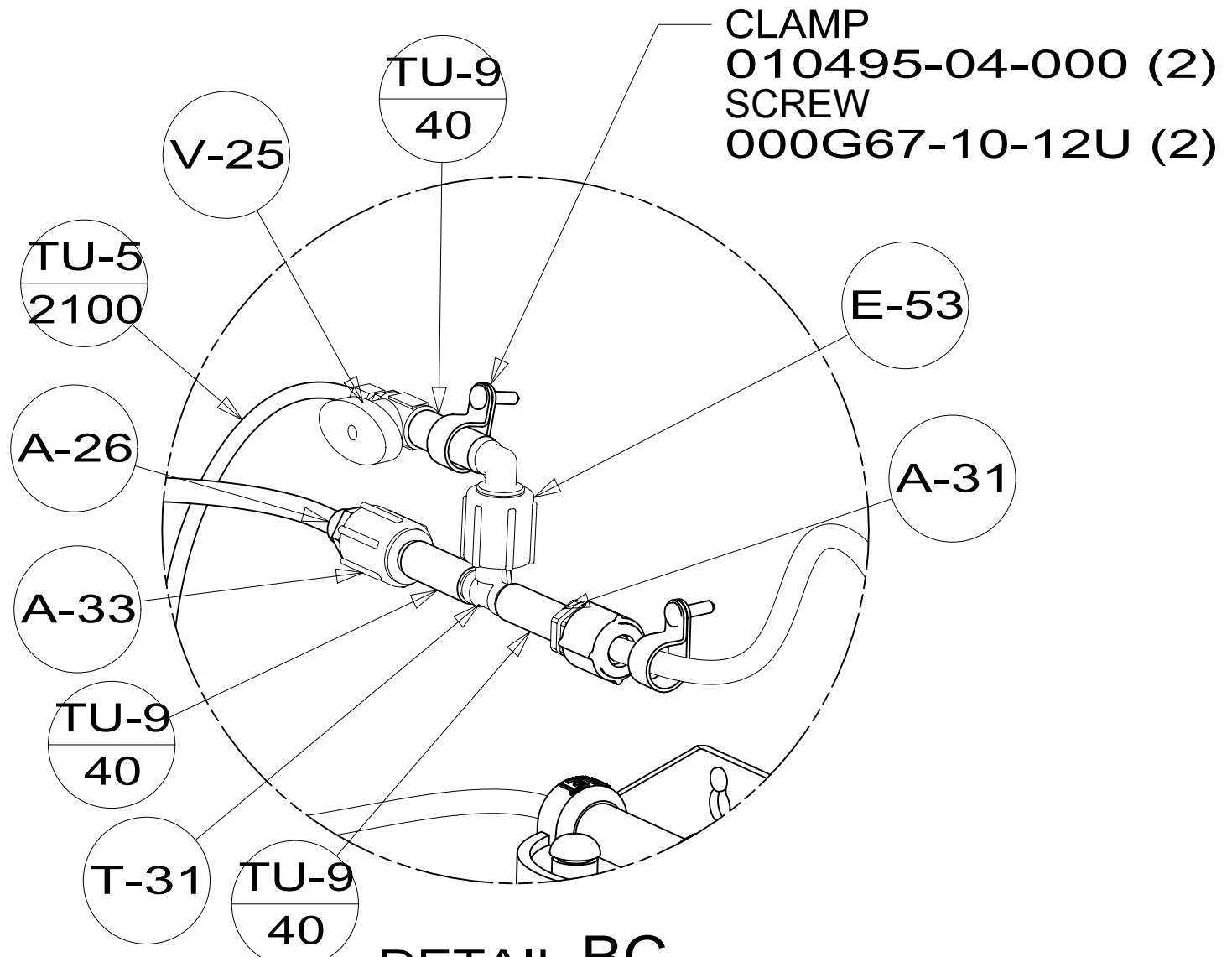
SECTION BD-BD
 (ROTATED)



DETAIL BG
 (SHOWN W/OUT CABINETS)
 144

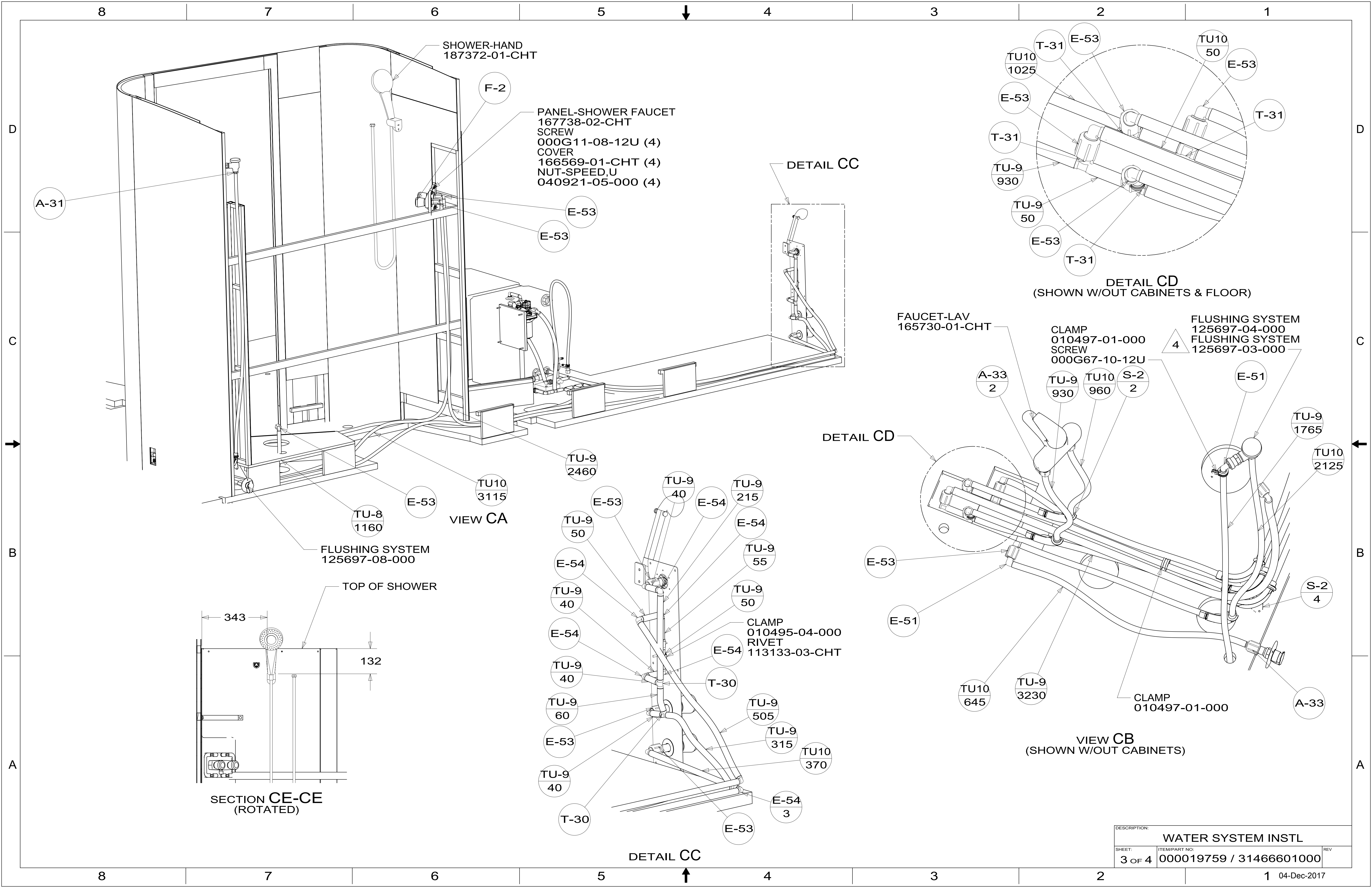


DETAIL BF



DETAIL BC
 (SHOWN W/OUT CABINETS)
 79W

DESCRIPTION: WATER SYSTEM INSTL		
SHEET: 2 OF 4	ITEM/PART NO: 000019759 / 31466601000	REV
		1 04-Dec-2017



SHOWER-HAND
187372-01-CHT

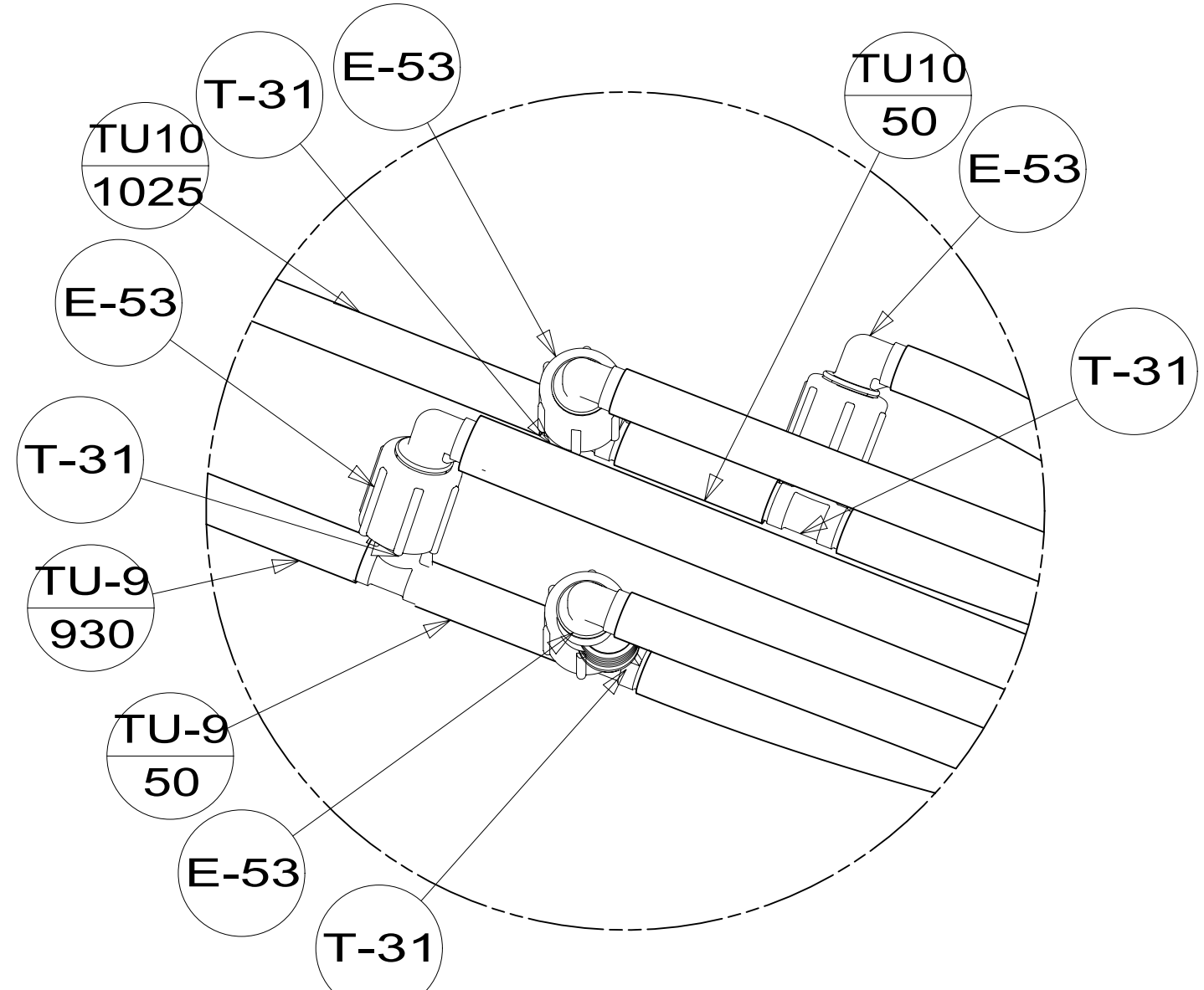
F-2

PANEL-SHOWER FAUCET
167738-02-CHT

SCREW
000G11-08-12U (4)

COVER
166569-01-CHT (4)

NUT-SPEED,U
040921-05-000 (4)



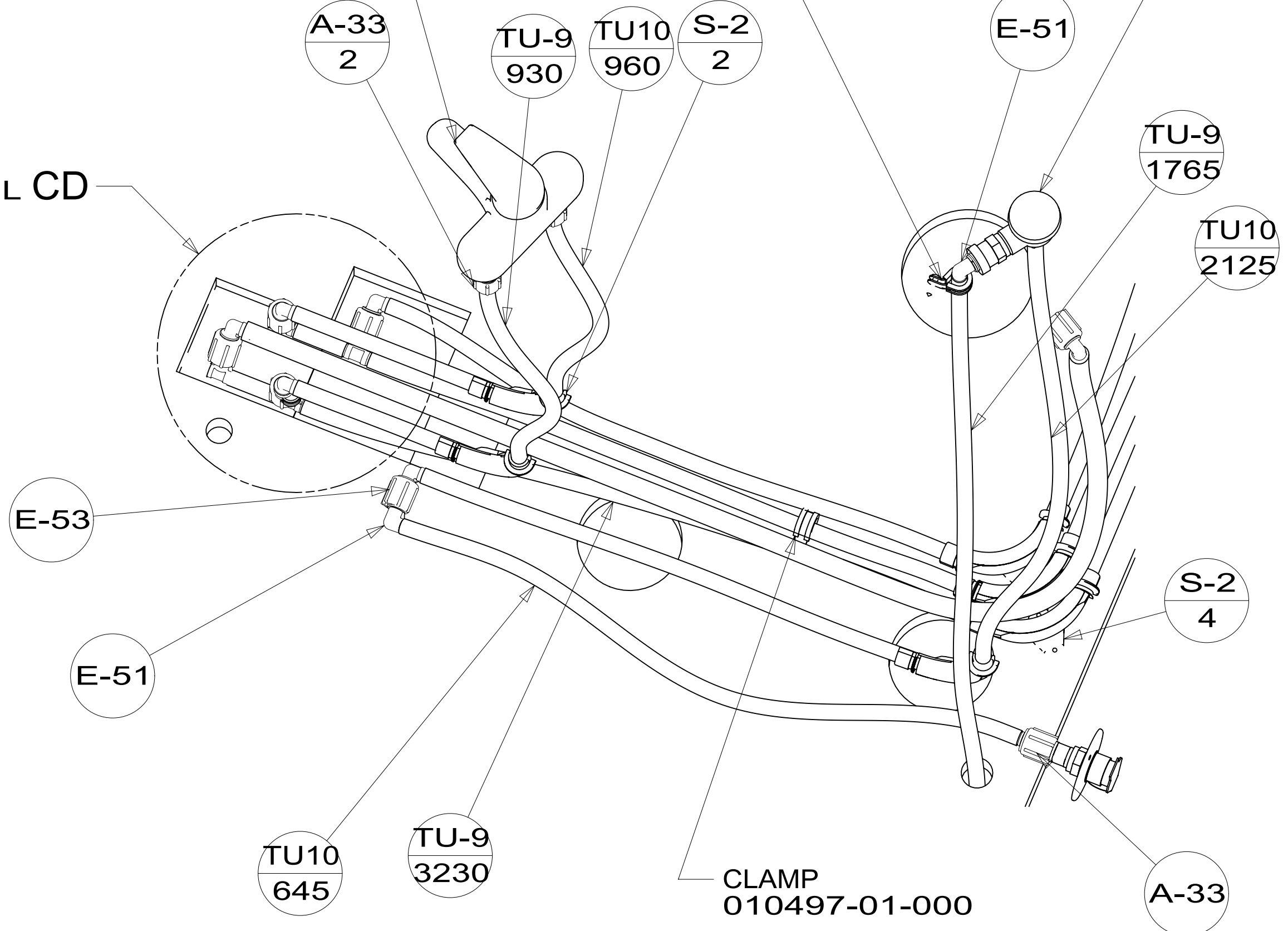
FAUCET-LAV
165730-01-CHT

CLAMP
010497-01-000

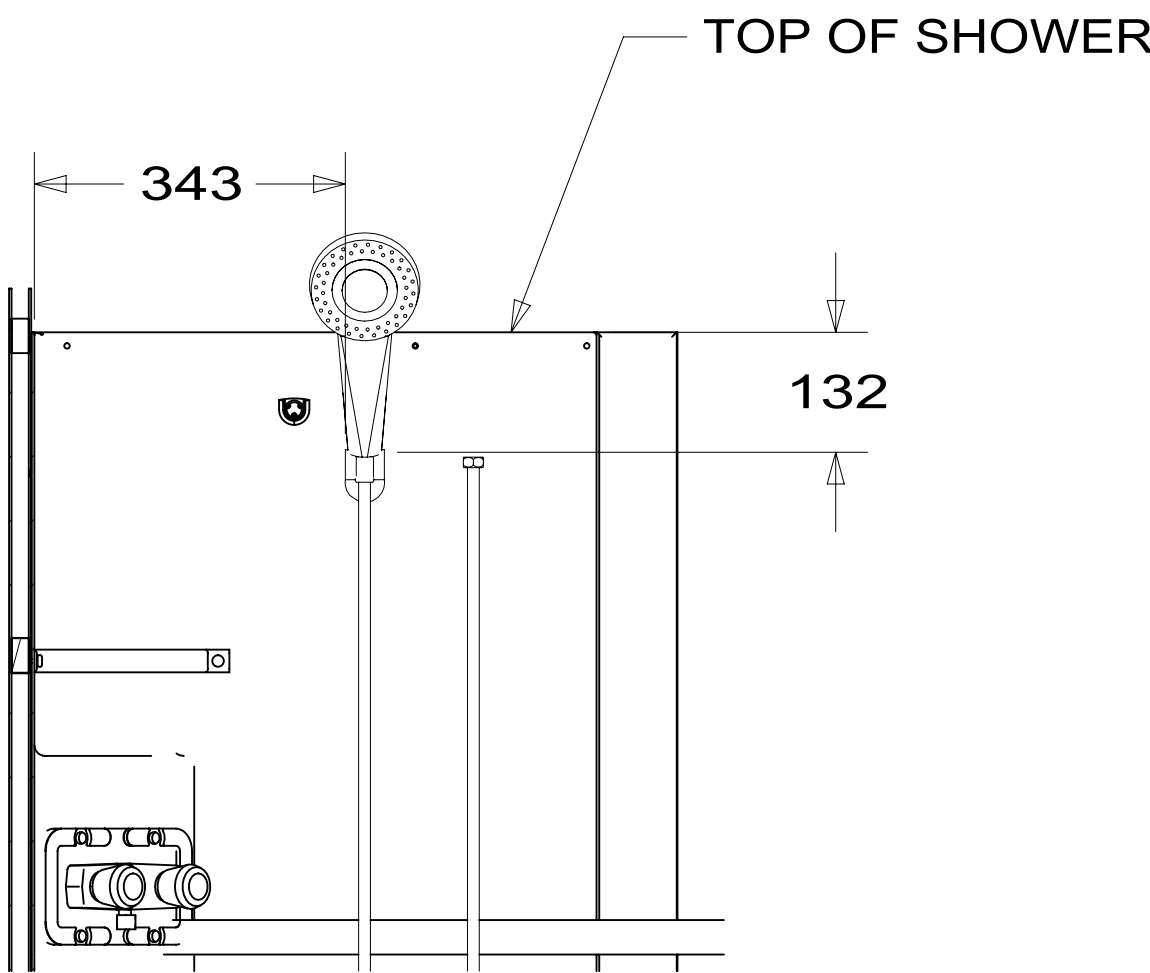
SCREW
000G67-10-12U

FLUSHING SYSTEM
125697-04-000

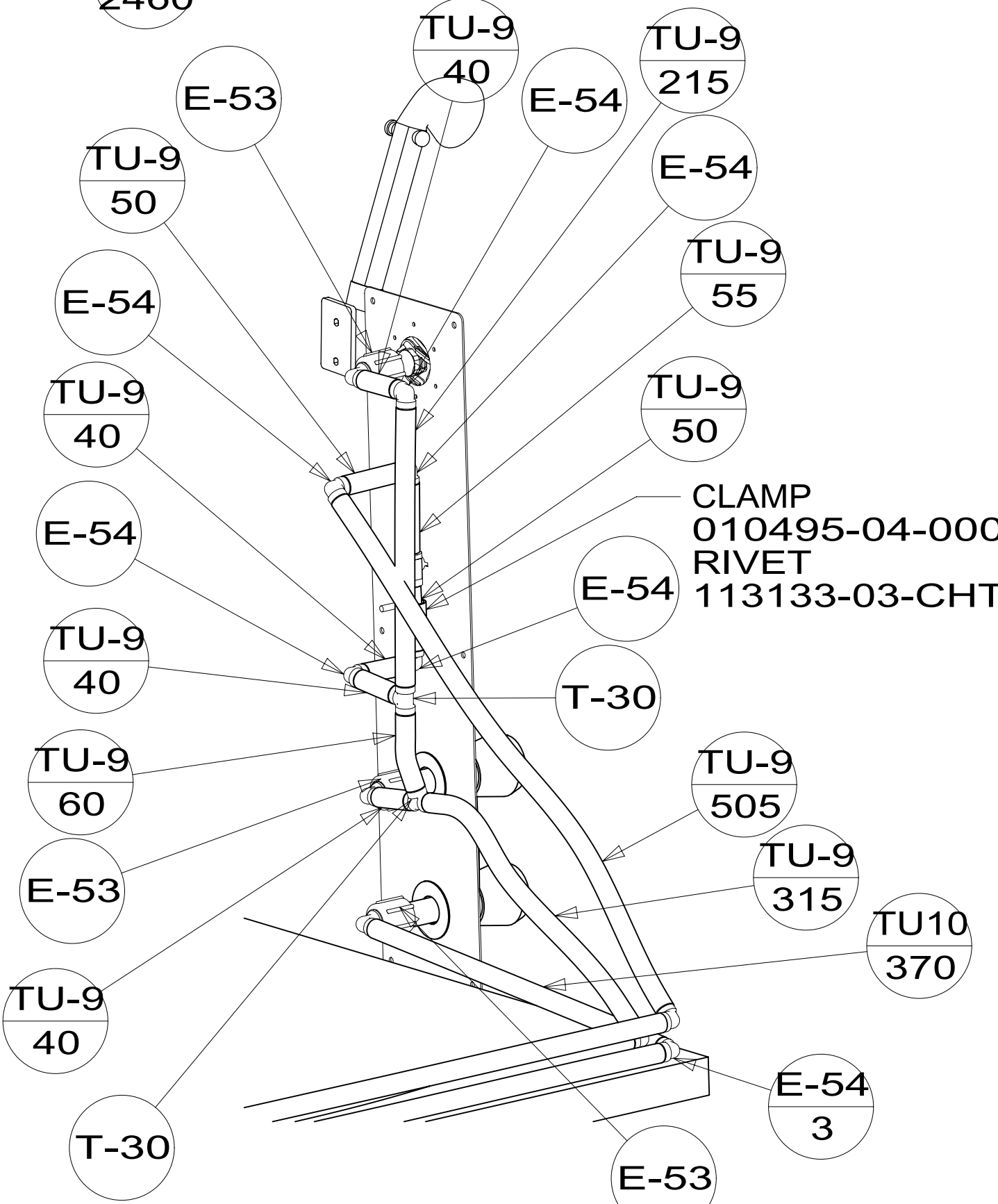
FLUSHING SYSTEM
125697-03-000



FLUSHING SYSTEM
125697-08-000

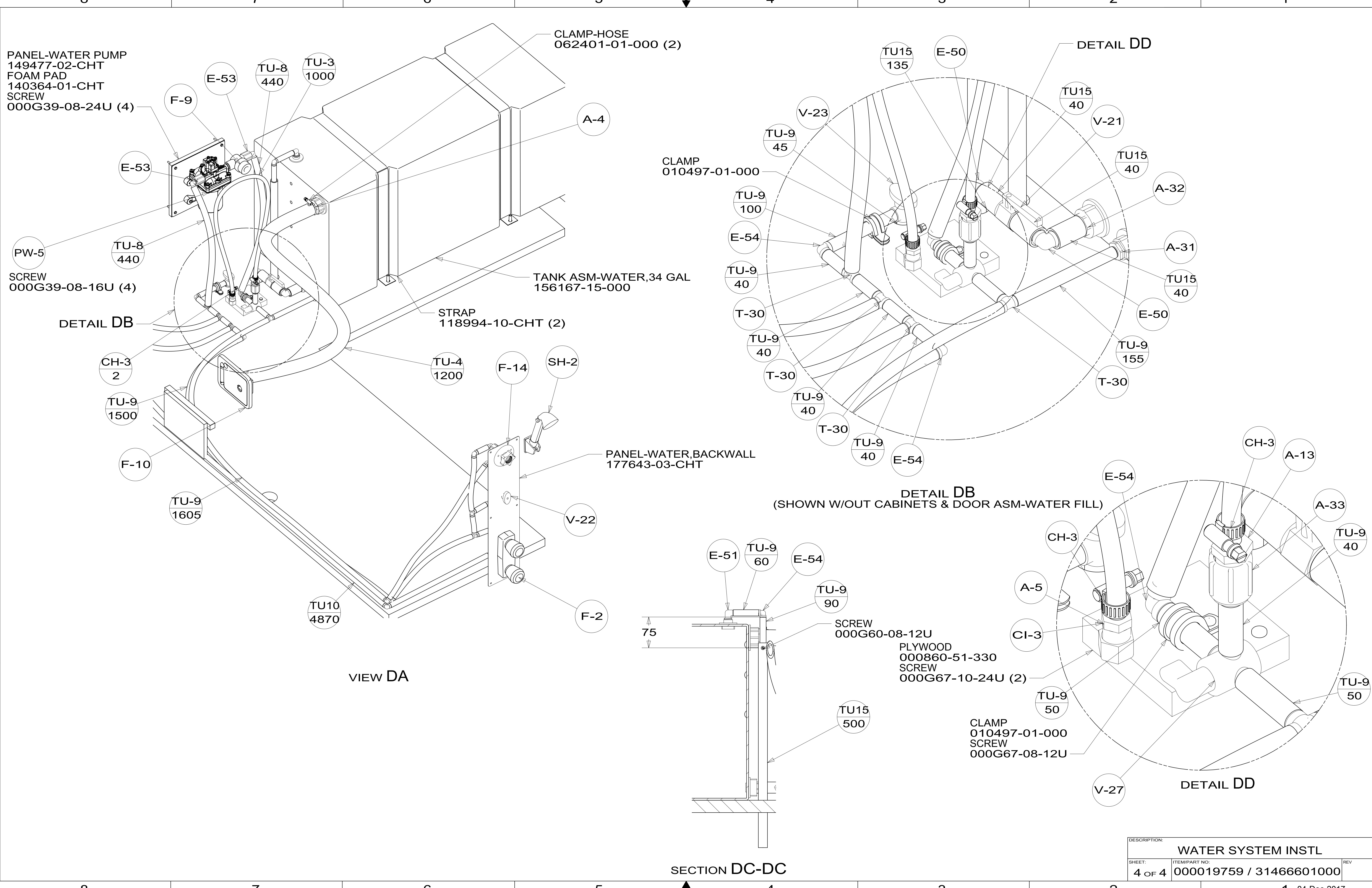


VIEW CA



VIEW CB
(SHOWN W/OUT CABINETS)

DESCRIPTION: WATER SYSTEM INSTL		
SHEET: 3 OF 4	ITEM/PART NO: 000019759 / 31466601000	REV



DESCRIPTION: WATER SYSTEM INSTL		
SHEET: 4 OF 4	ITEM/PART NO: 000019759 / 31466601000	REV
		1 04-Dec-2017