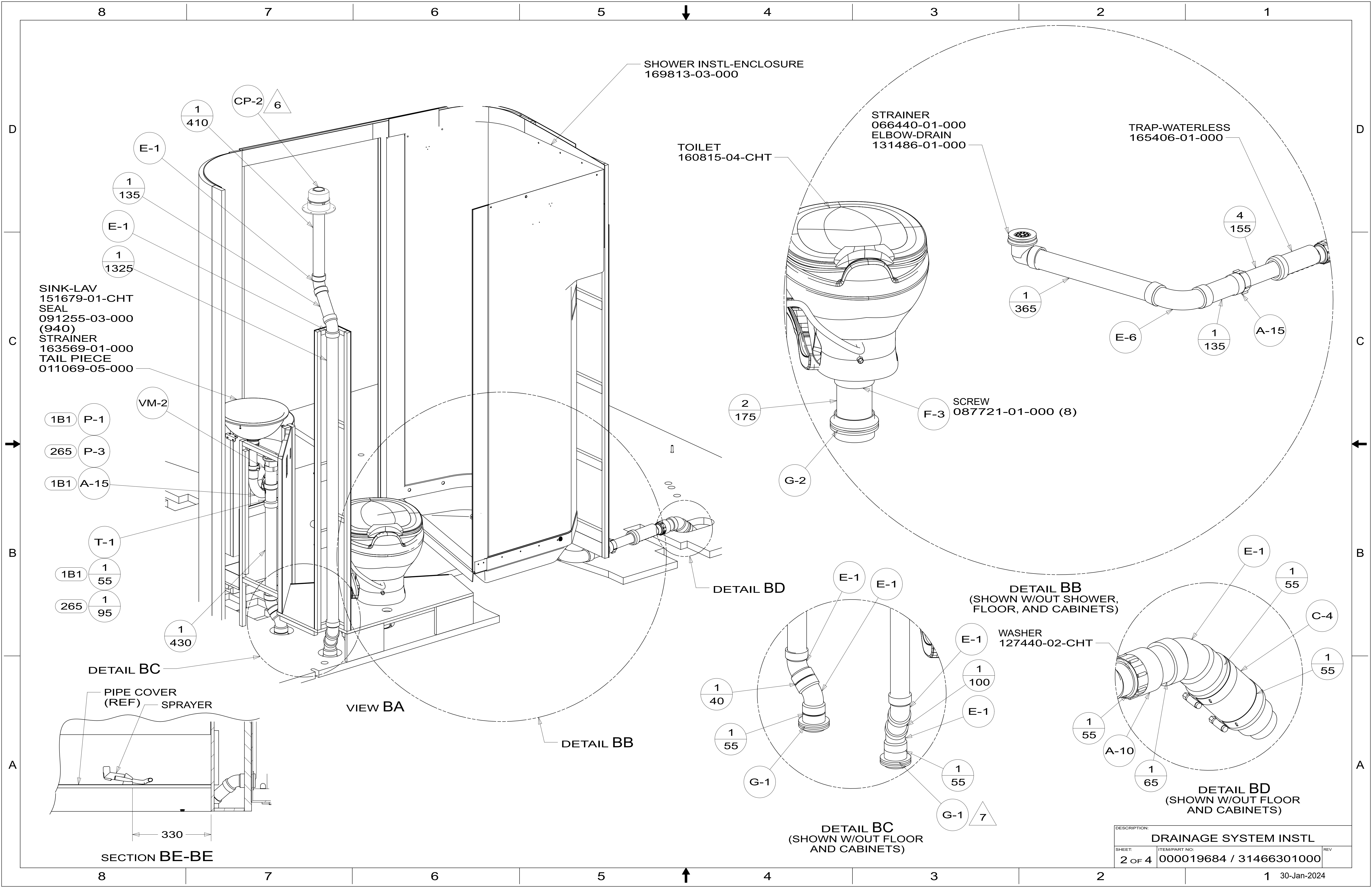


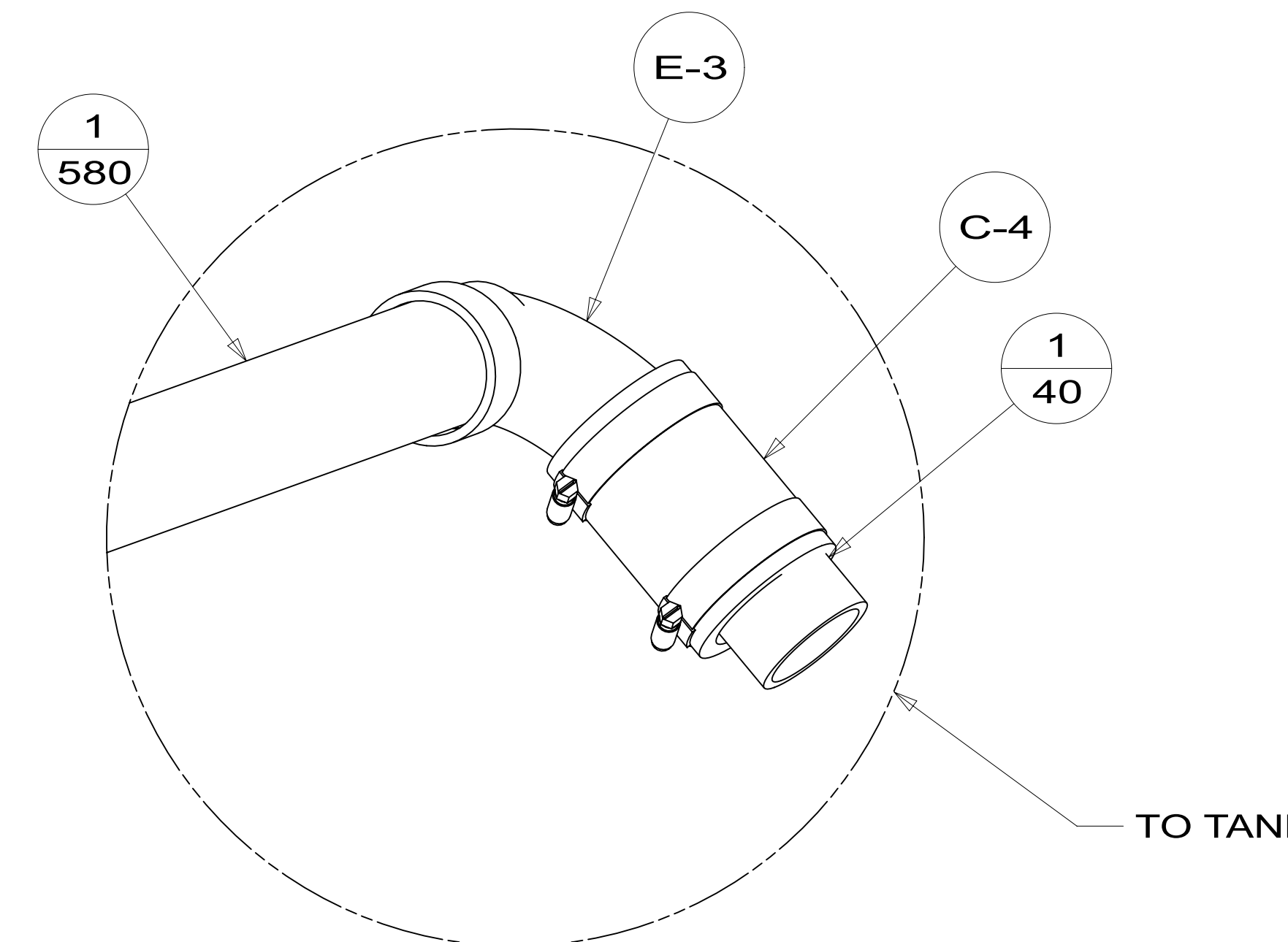
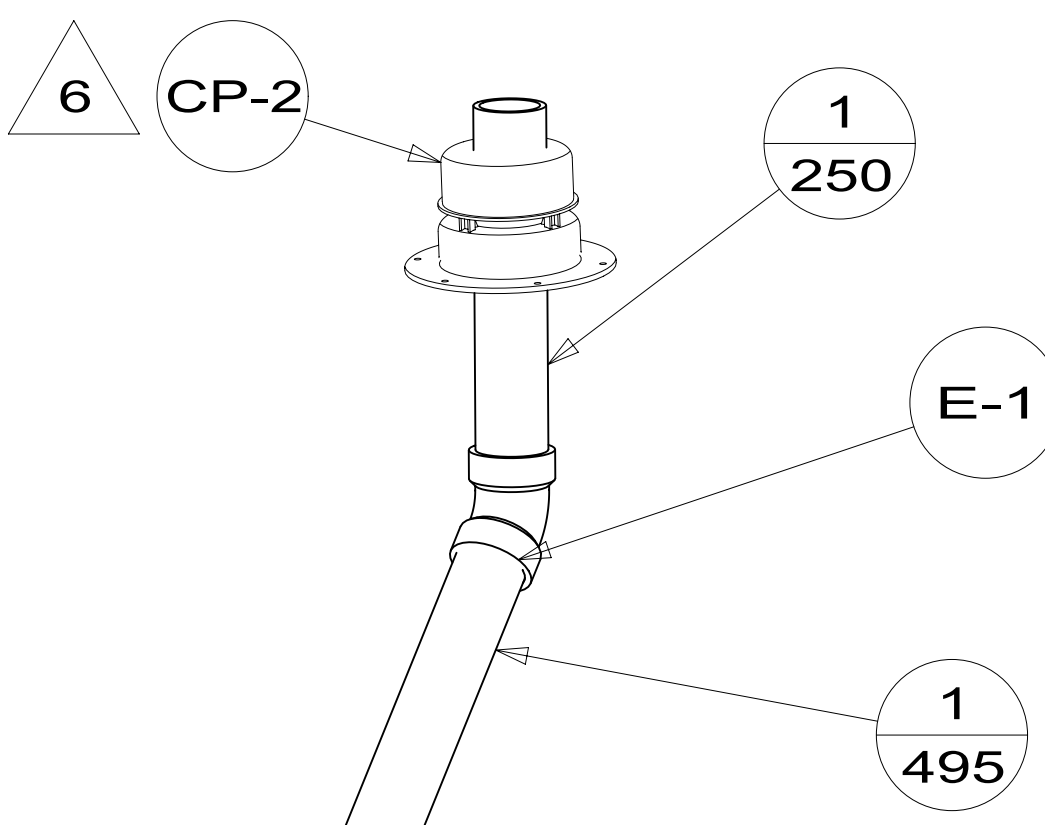
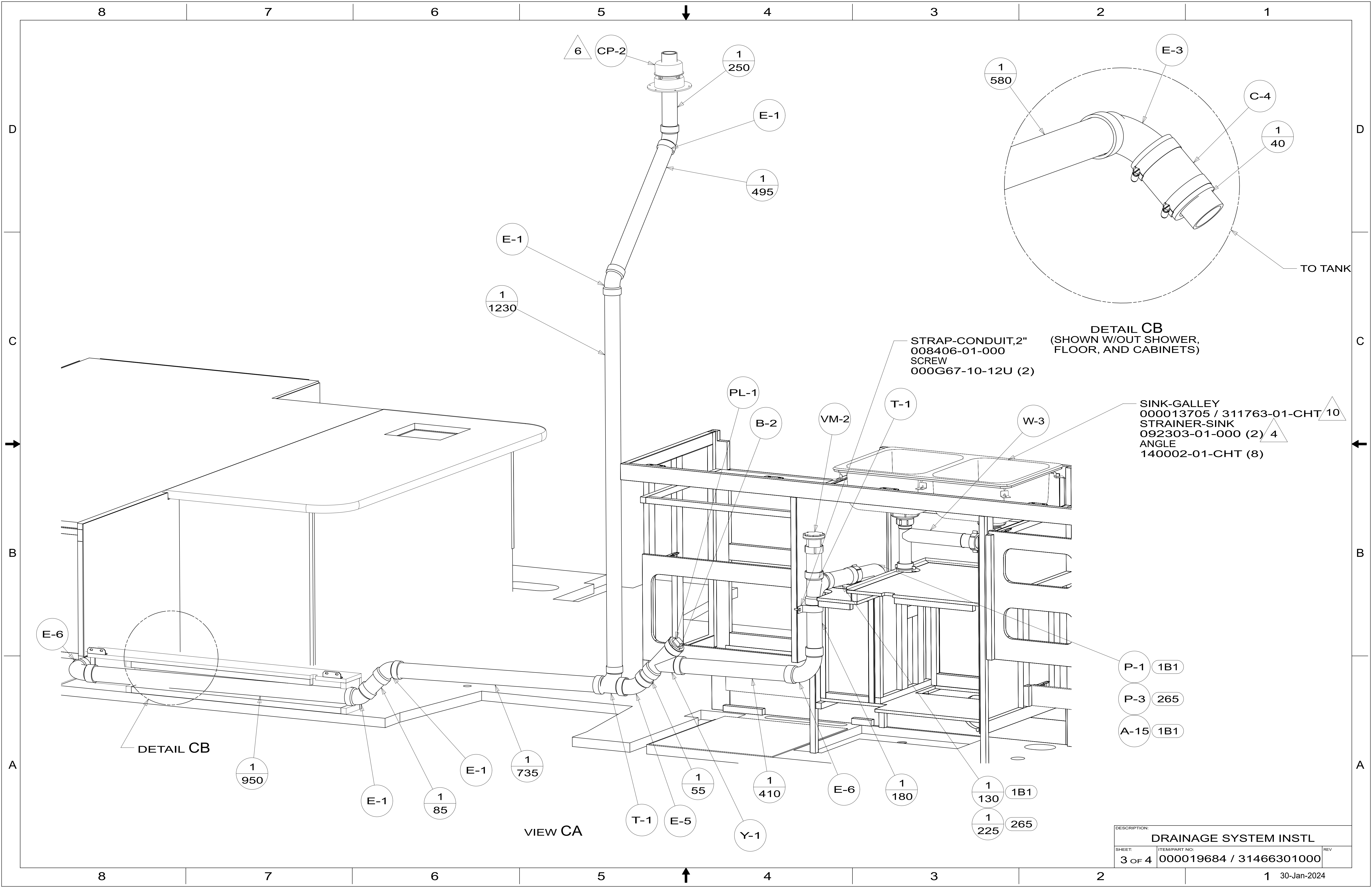
- NOTES:
10. APPLY 1/4" BEAD OF SILICONE (131264-05-CHT) TO FLANGE BEFORE INSTALLATION AND THEN CAP SEAL SINK/CORIAN COUNTER TOP WITH SILICONE (131264-05-CHT).
 9. SEE DRAWING 061607 FOR INSTALLATION OF GROMMETS.
 8. SECURE DRAINAGE PIPES TO CABINET USING WIRE TIE 108046-02-000, AND SCREW 000G67-10-12U AT INTERVALS OF NOT OF NOT MORE THAN 4 FEET APART.
 7. SECURE VENT PIPE TO FLOOR WITH CLAMP 062401-02-000 (2), SCREW 000G67-10-12U (2), BRACKET 136878-01-CHT (2).
 6. VENT PIPE MUST PROJECT 51 MIN AND 64 MAX ABOVE ROOF FOR PROPER FIT AND FUNCTION. ADD 116666-01-CHT (S-1 SEAL-VENT PIPE) AROUND PIPE ON ROOF BEFORE VENT CAP IS INSTALLED.
 5. SEAL AROUND SHOWER WITH SILICONE.
 4. USE SMOOTH PLUMBERS PUTTY 167459-01-000 TO SEAL STRAINER (0.2 PER STRAINER).
 3. ALL PIPE AND FITTINGS TO BE ASSEMBLED WITH SOLVENT 004020-01-000 (USA), 004020-02-000 (CAN)
 2. SLOPE OF TRAP ARM MUST BE 6 PER 305 mm.
 1. SLOPE OF HORIZONTAL PIPING TO BE MINIMUM OF 3 PER 305 mm.

265 CODES/STANDARDS-CSA/CMVSS
 1B1 CODES/STANDARDS USA

WINNEBAGO COPYRIGHT 2024 WINNEBAGO INDUSTRIES, INC.		
DSNR:	ALL DIMENSIONS ARE IN MILLIMETERS	
DFTR:		
UNSPECIFIED TOLERANCES:	MATERIAL:	
WHOLE DIM (X) :	3	
ONE-PLACE (X.X) :	1.5	
TWO-PLACE (X.XX) :	0.50	
ANGLE :	1°	
REFER TO ES0018 FOR FASTENER TIGHTENING GUIDELINES	WEIGHT: (LBS)	FIRST USED: (REF)
		17 727K
DESCRIPTION: DRAINAGE SYSTEM INSTL		
SHEET:	ITEM/PART NO.:	REV:
1 OF 4	000019684 / 31466301000	

X-X
 FOR DRAINAGE CALLOUTS SEE DWG NO. 303370-01-000



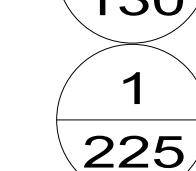
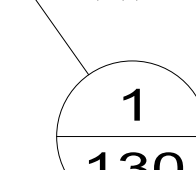
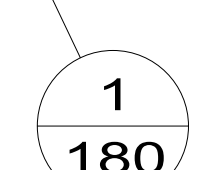
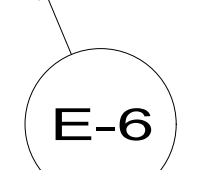
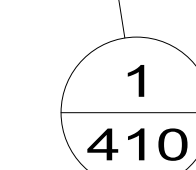
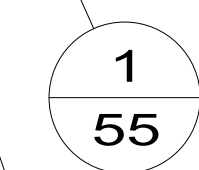
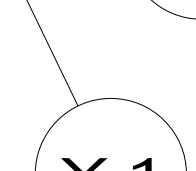
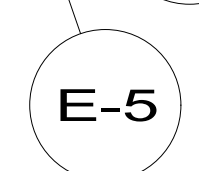
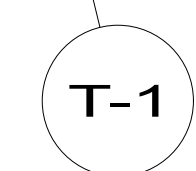
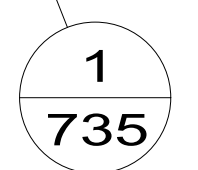
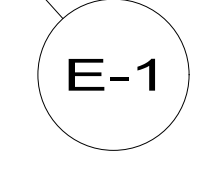
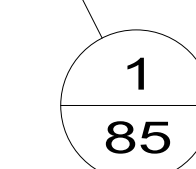
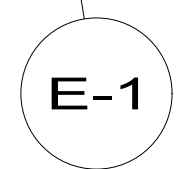
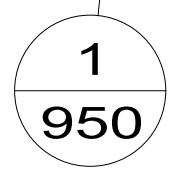
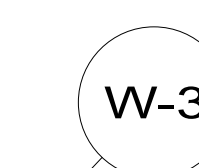
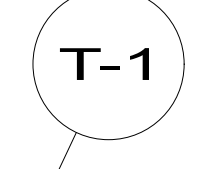
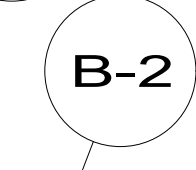
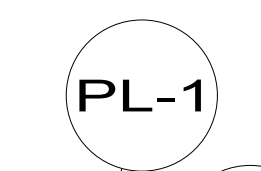
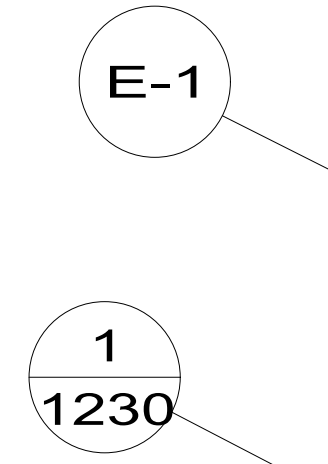


DETAIL CB
(SHOWN W/OUT SHOWER,
FLOOR, AND CABINETS)

STRAP-CONDUIT, 2"
008406-01-000
SCREW
000G67-10-12U (2)

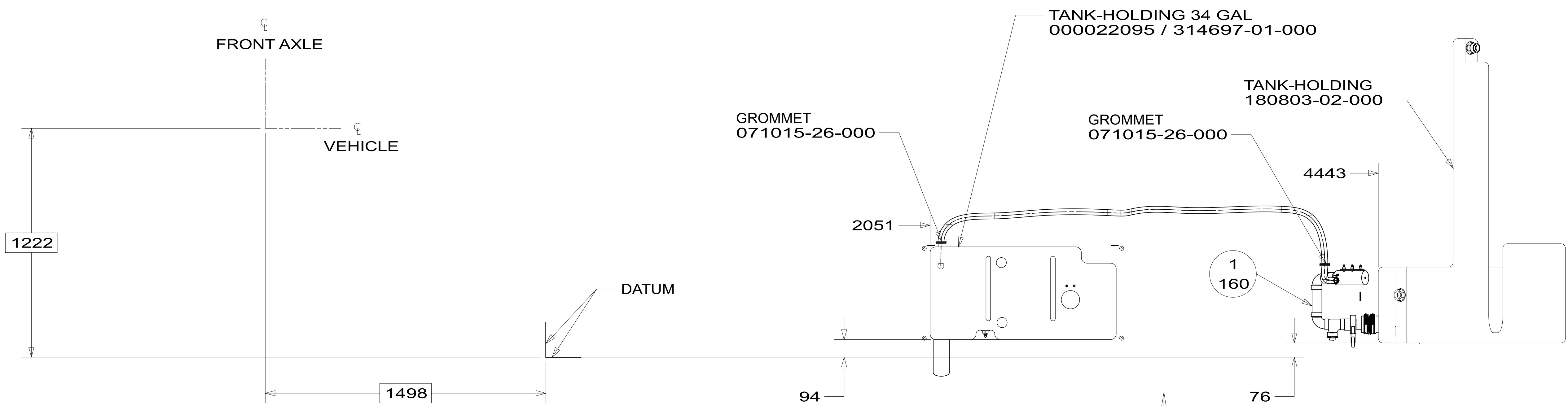
SINK-GALLEY
000013705 / 311763-01-CHT 10
STRAINER-SINK
092303-01-000 (2) 4
ANGLE
140002-01-CHT (8)

- P-1 1B1
- P-3 265
- A-15 1B1

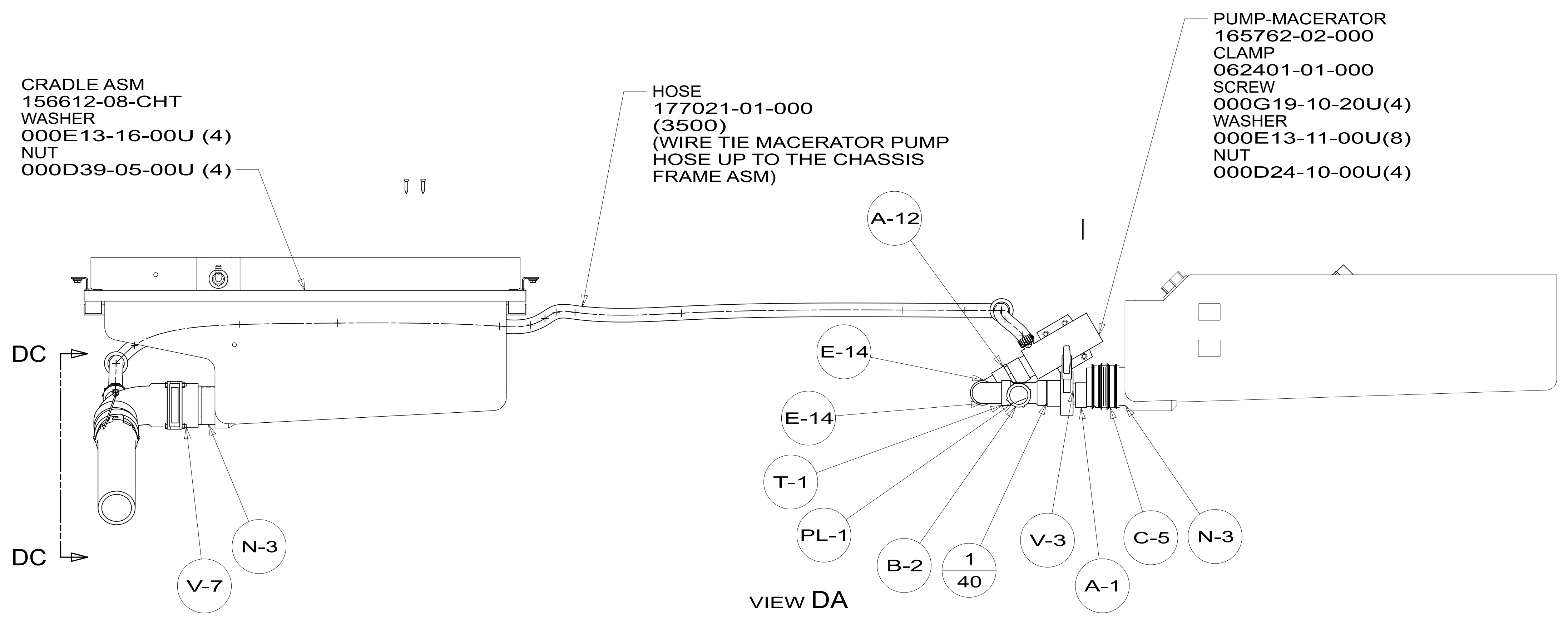
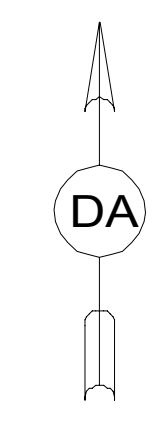


VIEW CA

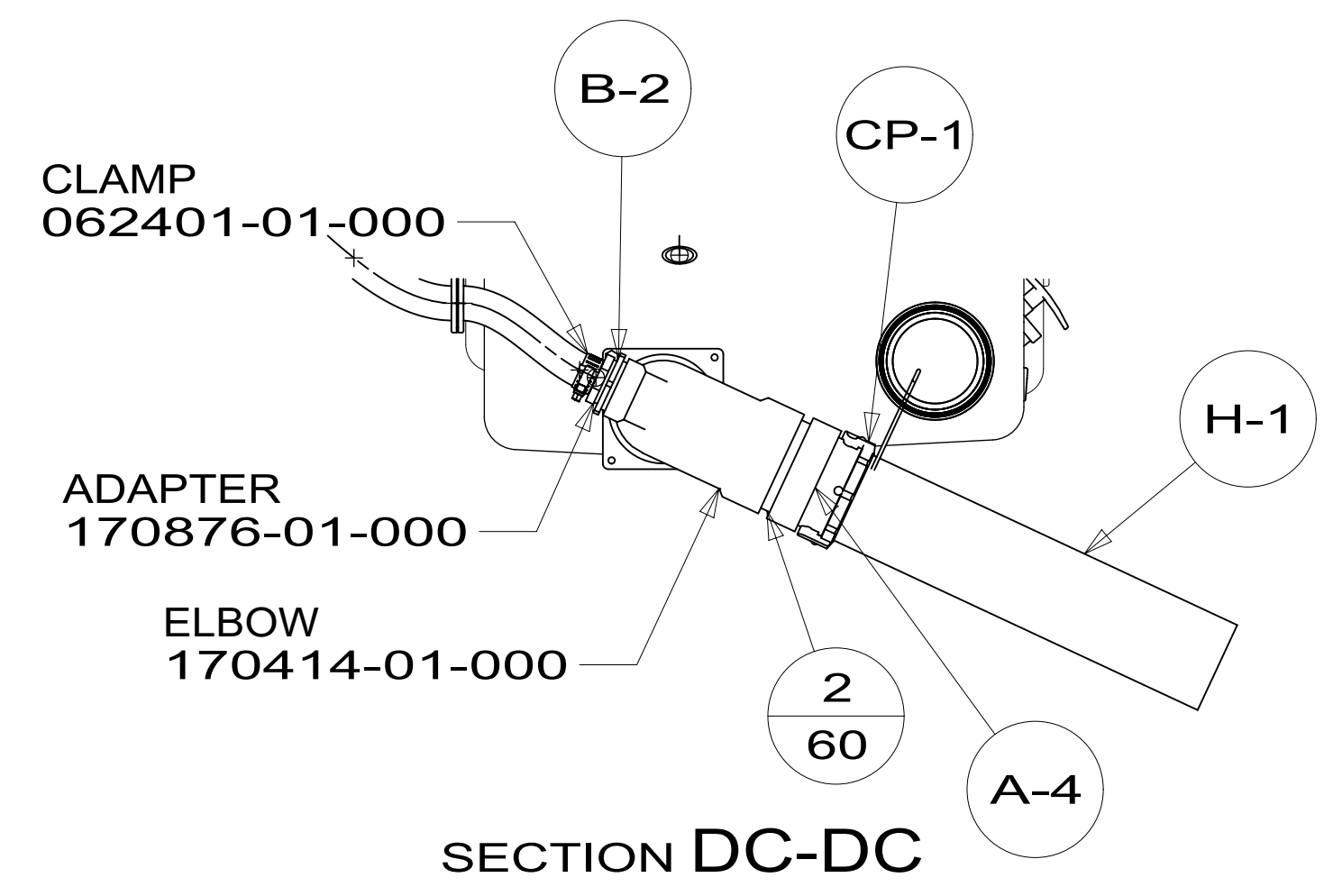
DESCRIPTION:		
DRAINAGE SYSTEM INSTL		
SHEET:	ITEM/PART NO.:	REV
3 OF 4	000019684 / 31466301000	
		1 30-Jan-2024



SHOWING TANKS AND DRAINS ONLY



VIEW DA



DESCRIPTION:		
DRAINAGE SYSTEM INSTL		
SHEET:	ITEM/PART NO.:	REV
4 OF 4	000019684 / 31466301000	