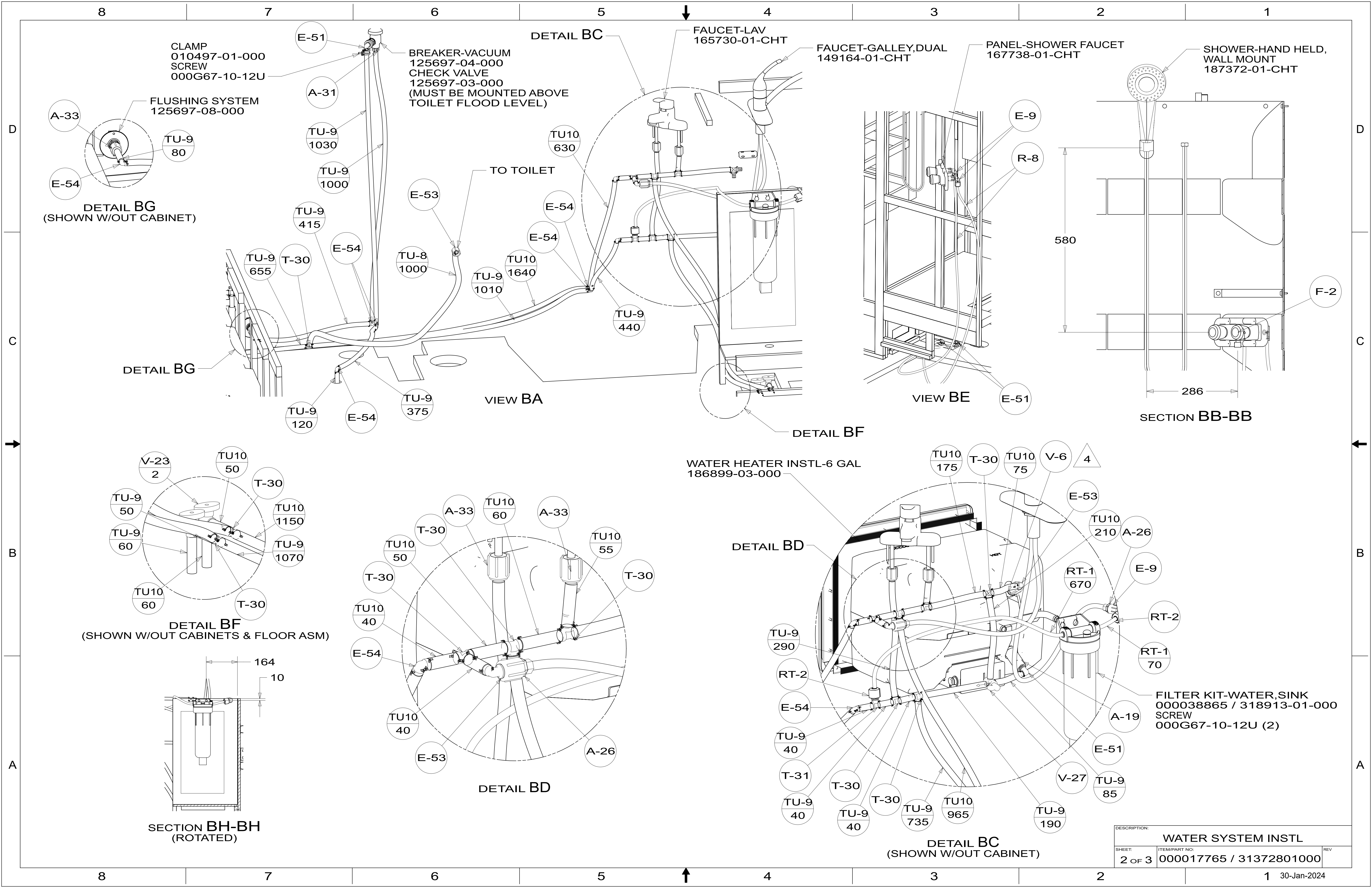


- 10. SEAL VENT HOLE IN DOOR W/SILICONE SEALANT.
- 9. ALL CRIMP FITTINGS TO 3/4" PEX TUBING REQUIRE 3/4" CLAMP 140171-05-000.
- 8. ALL CRIMP FITTINGS TO 1/2" PEX TUBING REQUIRE 1/2" CLAMP 140171-03-000.
- 7. ALL CRIMP FITTINGS TO 5/8" FLEX TUBING REQUIRE 5/8" CLAMP 140171-04-000.
- 6. LABEL HOT AND COLD SUPPLY TUBES AND TAPE FITTING TO TUBE BEFORE CABINET SET TO PREVENT MOVEMENT.
- 5. ADD PIPE WRAP (LADDER SCRAP 110157-02-000) INSULATION.
- 4. ADD TEFLON TAPE 010405-02-000.
- 3. ALL TUBING TO BE SECURED AT 1200 INTERVALS MAXIMUM WITH CLAMP 010495-01-000 AND SCREW 000G67-10-12U OR EQUIVALENT.
- 2. TUBING TO BE INSTALLED WITH SUFFICIENT SLOPE TO PROVIDE DRAINAGE TO NEAREST VALVE.
- 1. PLASTIC FITTINGS TO BE SEALED WITH SEALANT 084456-01-000.

NOTES:

X-X  
FOR  
WATER  
CALLOUTS  
SEE DWG NO.  
000209446 /  
303369-01-000

<b>WINNEBAGO</b> <sup>®</sup>		COPYRIGHT 2024 WINNEBAGO INDUSTRIES, INC.	
DSNR:		ALL DIMENSIONS ARE IN MILLIMETERS	
DFTR:			
UNSPECIFIED TOLERANCES:	MATERIAL:		
WHOLE DIM (X) :	3		
ONE-PLACE (X.X) :	1.5		
TWO-PLACE (X.XX) :	0.50		
ANGLE :	1°		
REFER TO ES0018 FOR FASTENER TIGHTENING GUIDELINES		WEIGHT: (LBS)	FIRST USED: (REF)
			17 730J
DESCRIPTION: <b>WATER SYSTEM INSTL</b>			
SHEET:	ITEM/PART NO.:	REV	
1 OF 3	000017765 / 31372801000		
REF:		1 30-Jan-2024	



CLAMP  
010497-01-000  
SCREW  
000G67-10-12U

FLUSHING SYSTEM  
125697-08-000

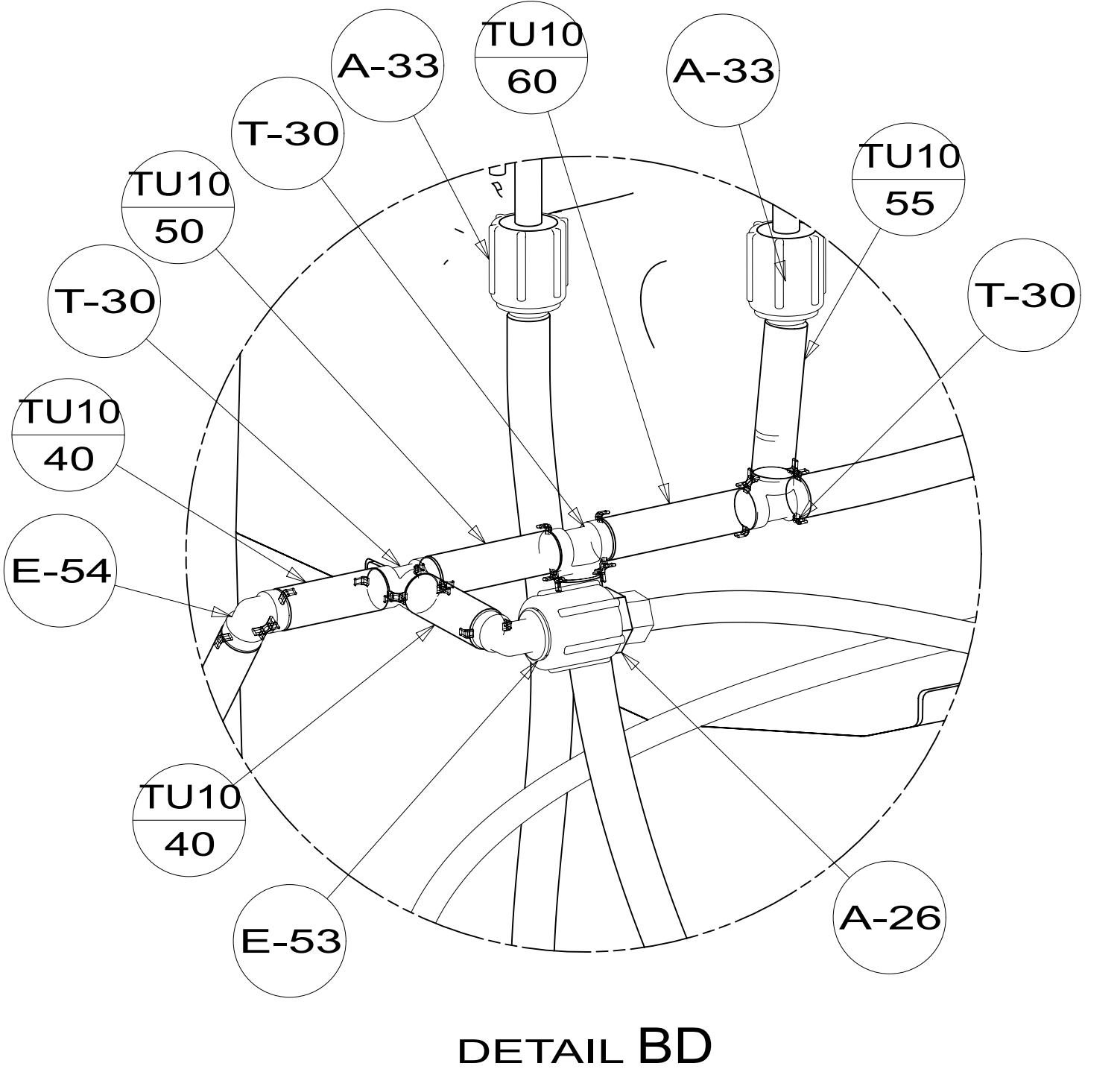
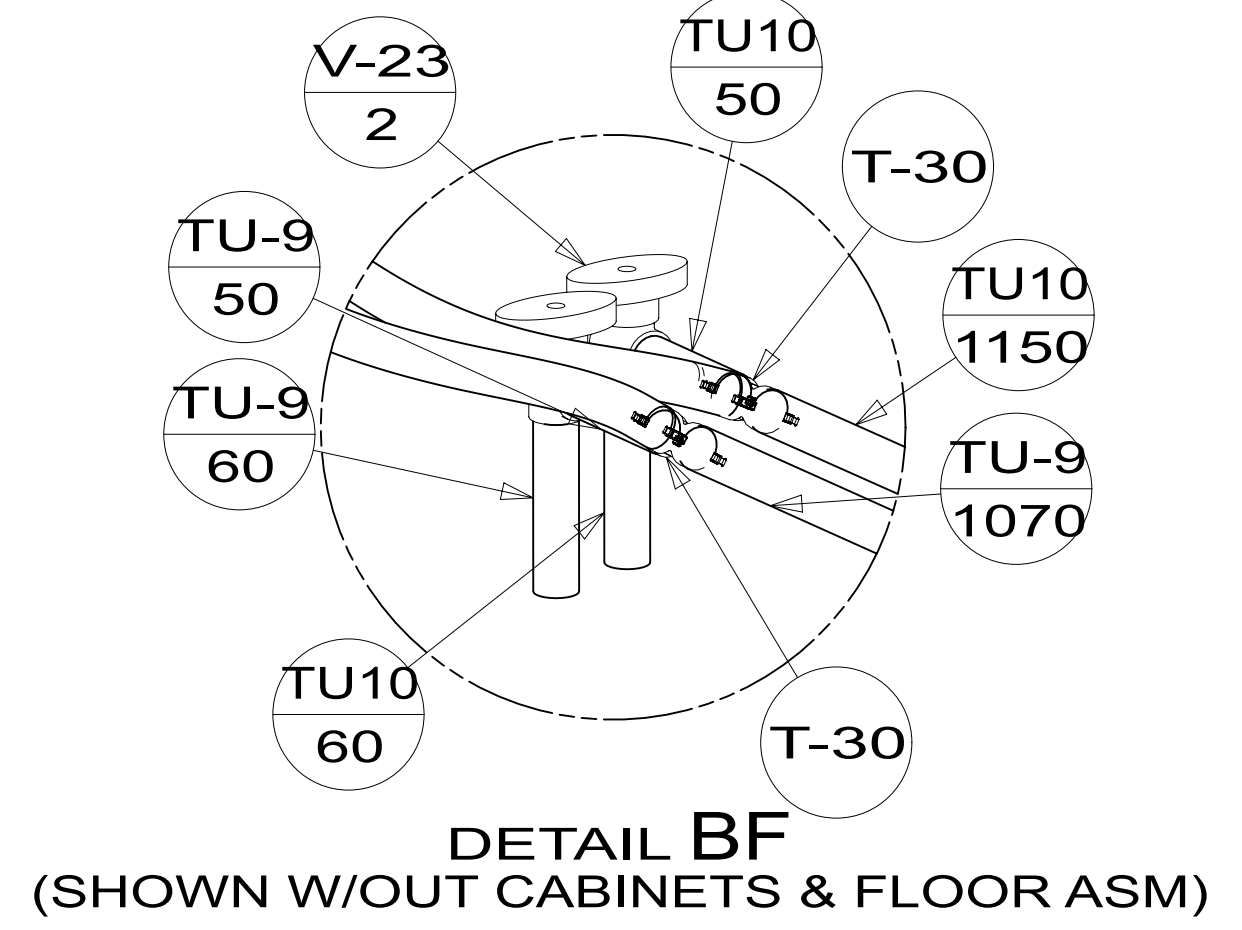
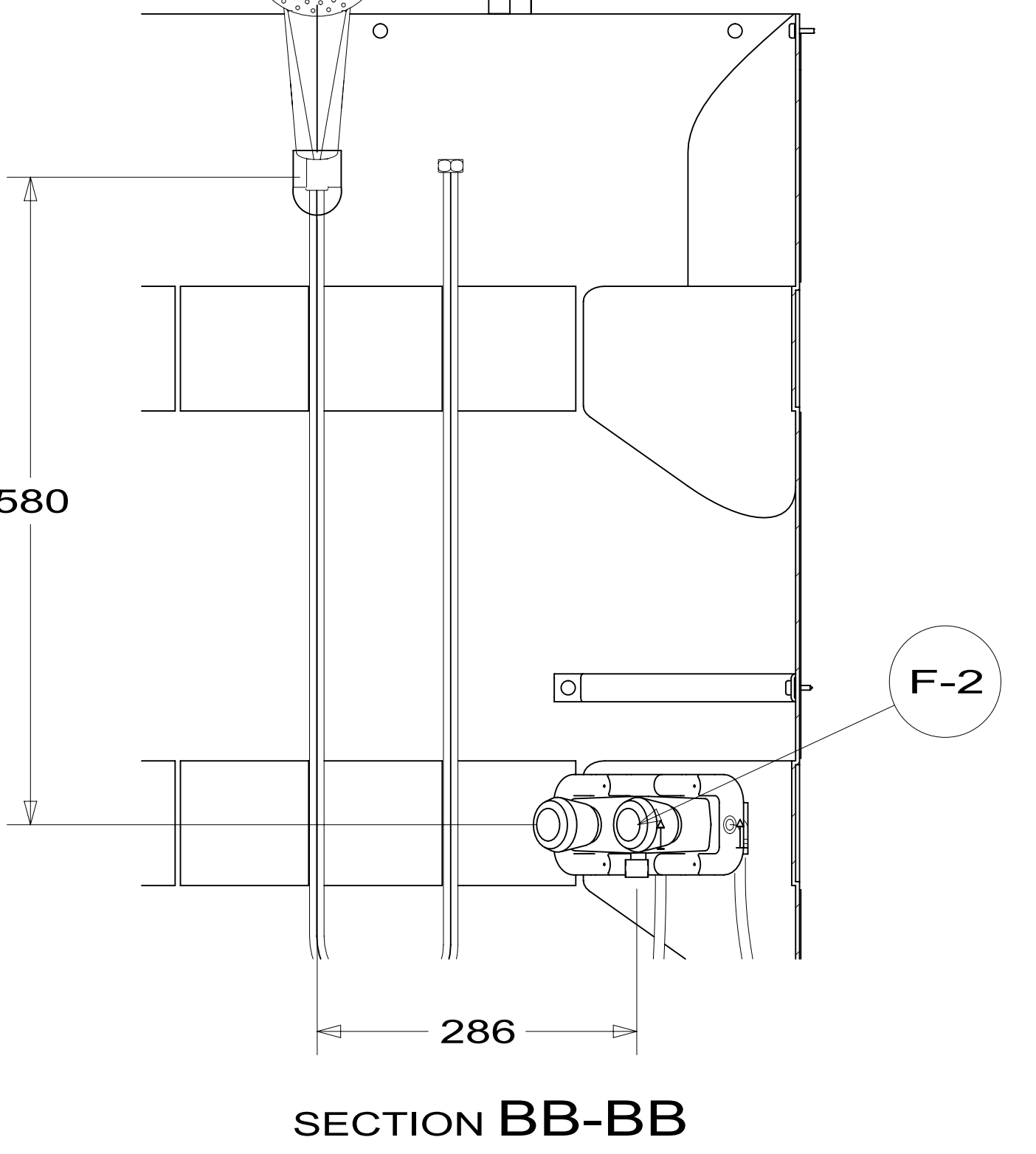
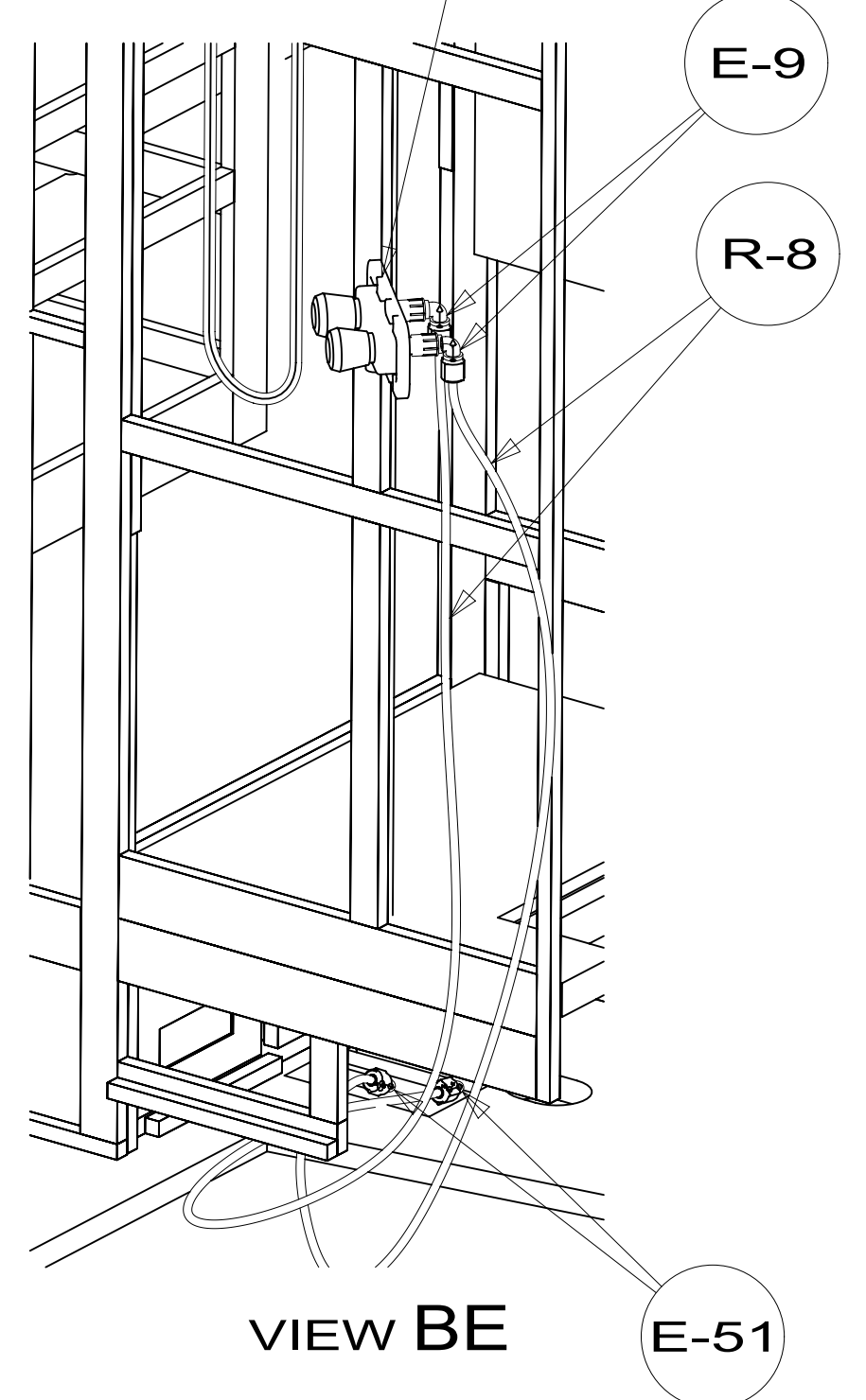
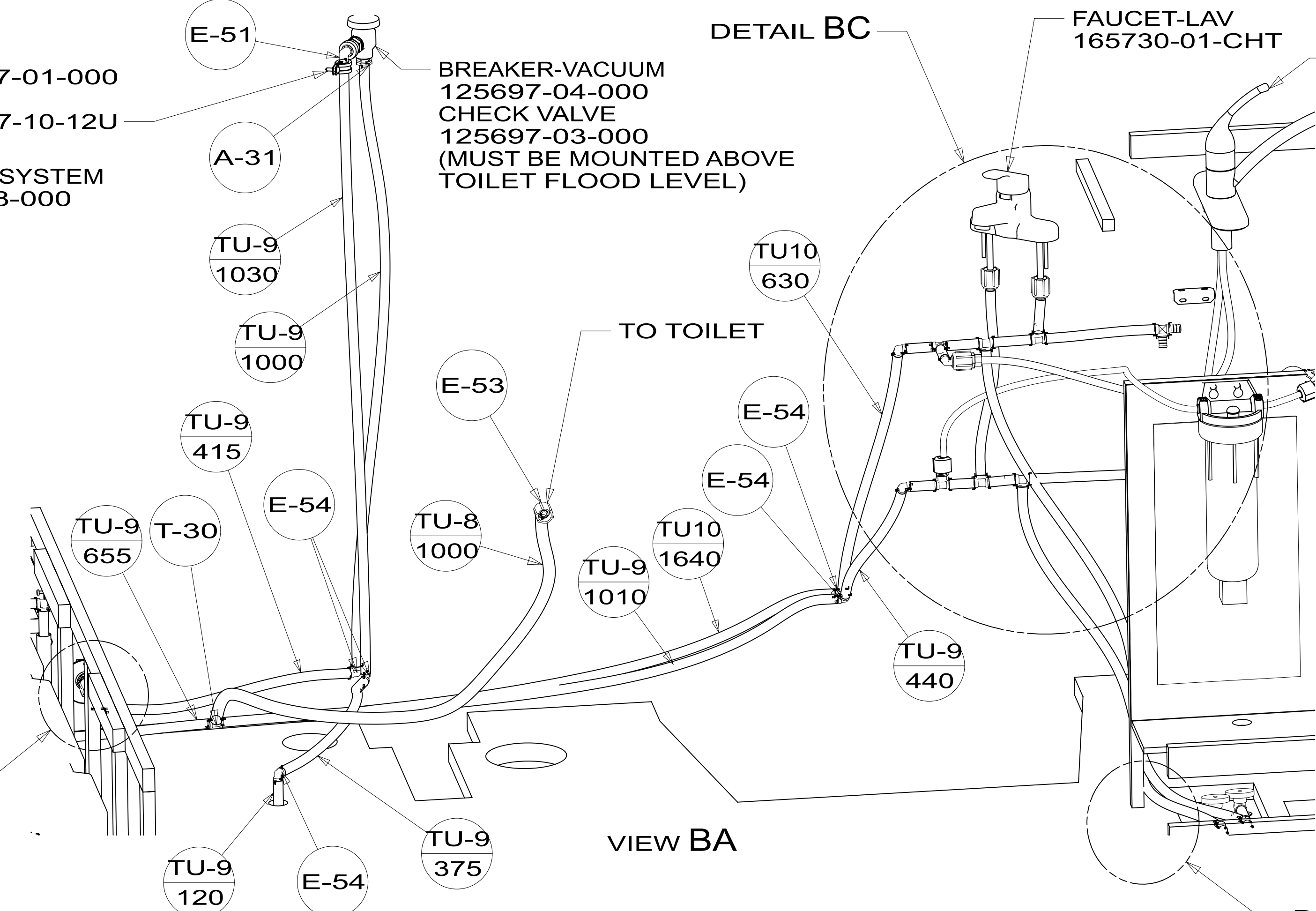
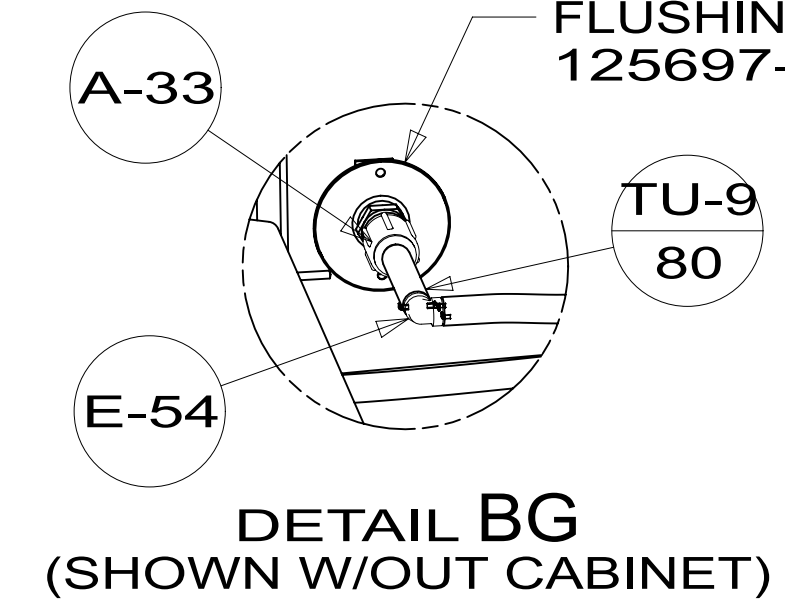
BREAKER-VACUUM  
125697-04-000  
CHECK VALVE  
125697-03-000  
(MUST BE MOUNTED ABOVE  
TOILET FLOOD LEVEL)

FAUCET-LAV  
165730-01-CHT

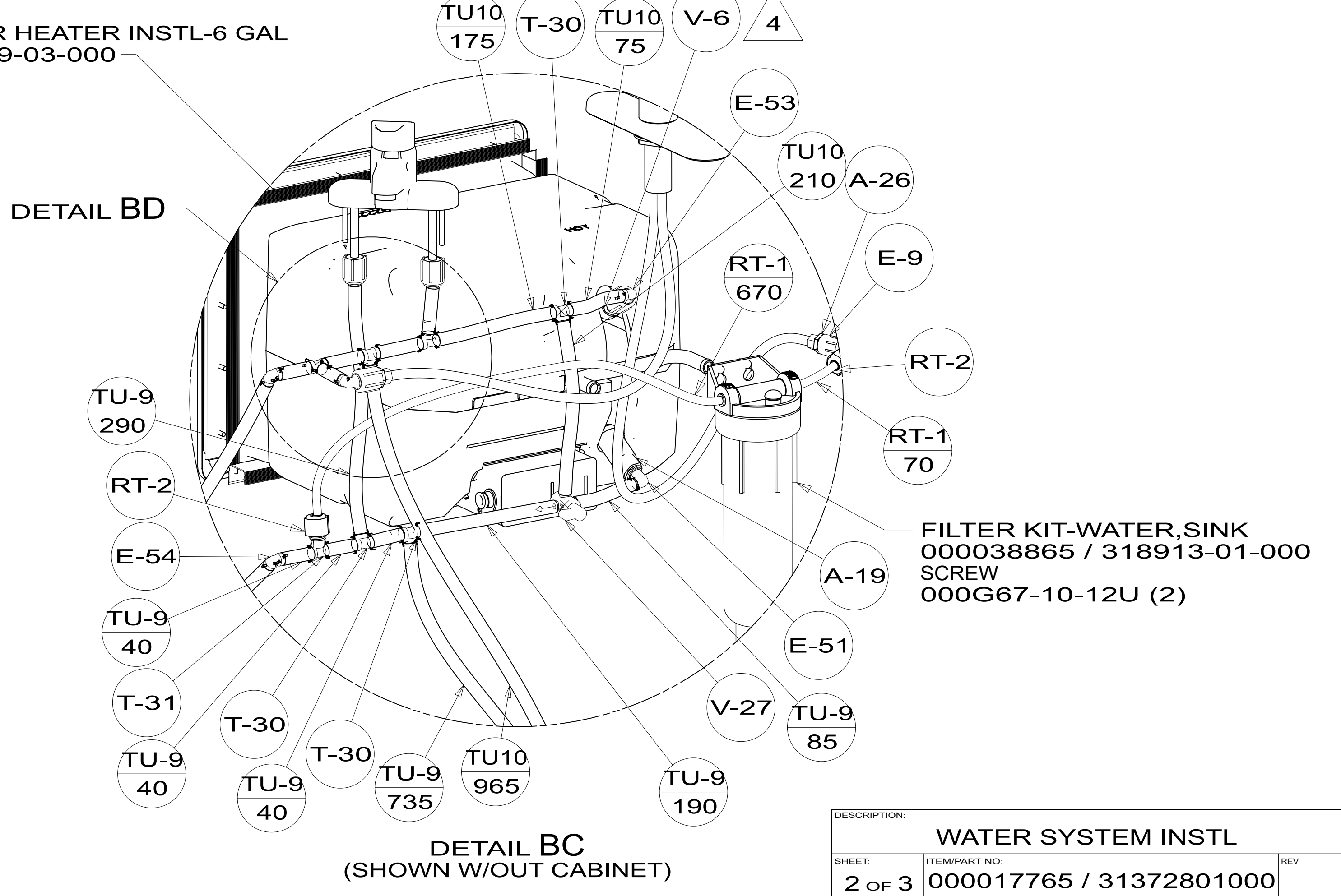
FAUCET-GALLEY, DUAL  
149164-01-CHT

PANEL-SHOWER FAUCET  
167738-01-CHT

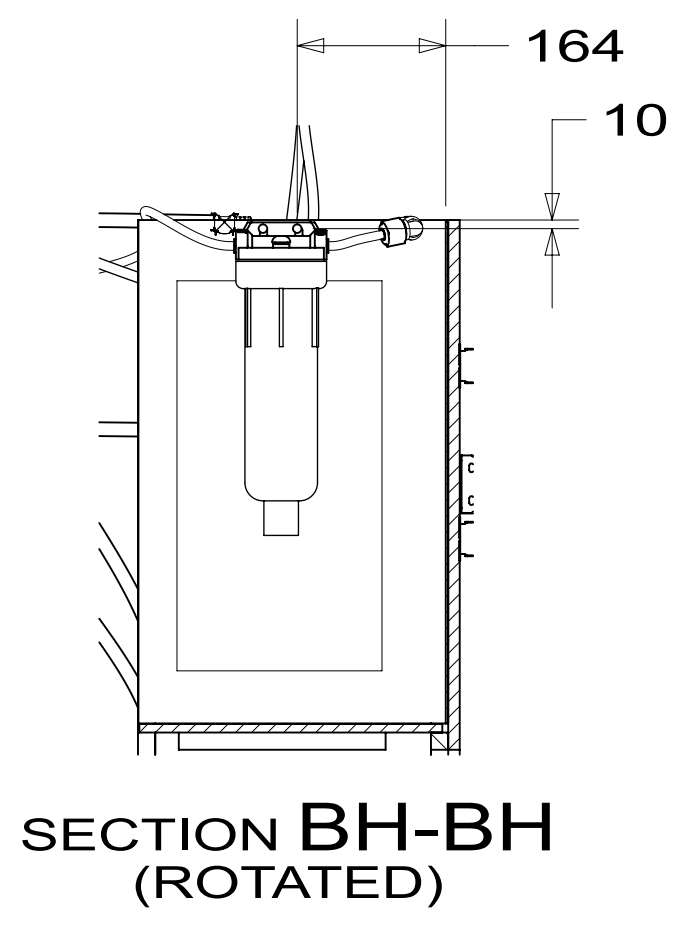
SHOWER-HAND HELD,  
WALL MOUNT  
187372-01-CHT



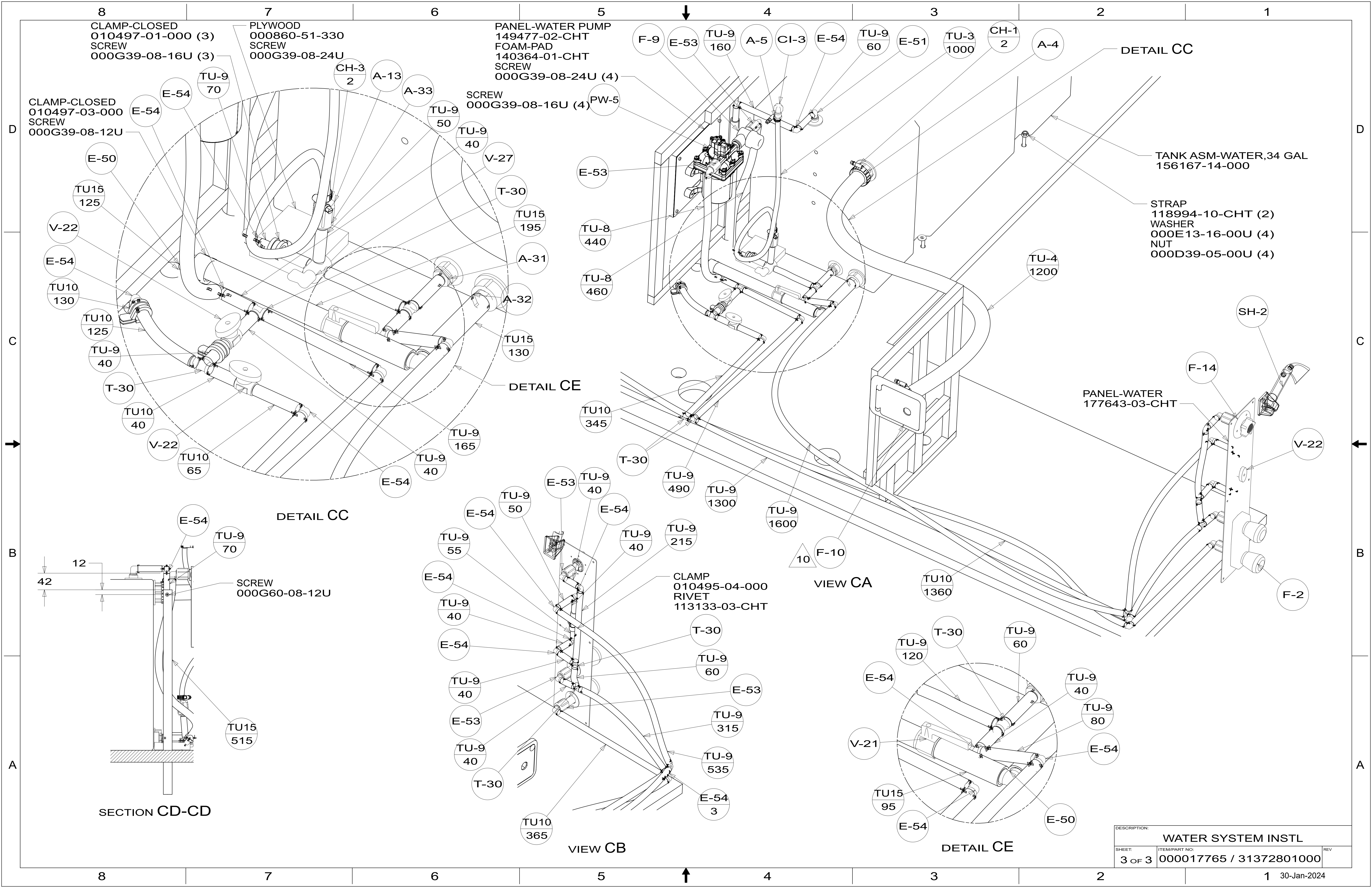
WATER HEATER INSTL-6 GAL  
186899-03-000



FILTER KIT-WATER, SINK  
00038865 / 318913-01-000  
SCREW  
000G67-10-12U (2)



DESCRIPTION:		
WATER SYSTEM INSTL		
SHEET:	ITEM/PART NO.:	REV:
2 OF 3	000017765 / 31372801000	



DESCRIPTION:		
WATER SYSTEM INSTL		
SHEET:	ITEM/PART NO.:	REV
3 OF 3	000017765 / 31372801000	