

1 ATTACH TO STICK WORK USING BRACKETS AND SCREWS THAT COME WITH CONVERTER.

FOR ELECTRICAL TORQUE SPECIFICATIONS SEE DWG NO. 128783-01-000

FOR ELECTRICAL CALLOUTS SEE DWG NO. 121339-01-000

- 78Z SATELLITE SYSTEM - WITHOUT
- 78K SATELLITE TV SYSTEM AUTO
- 265 CODES/STANDARDS-CSA/CMVSS
- 1B1 CODES/STANDARDS USA

1B1 265

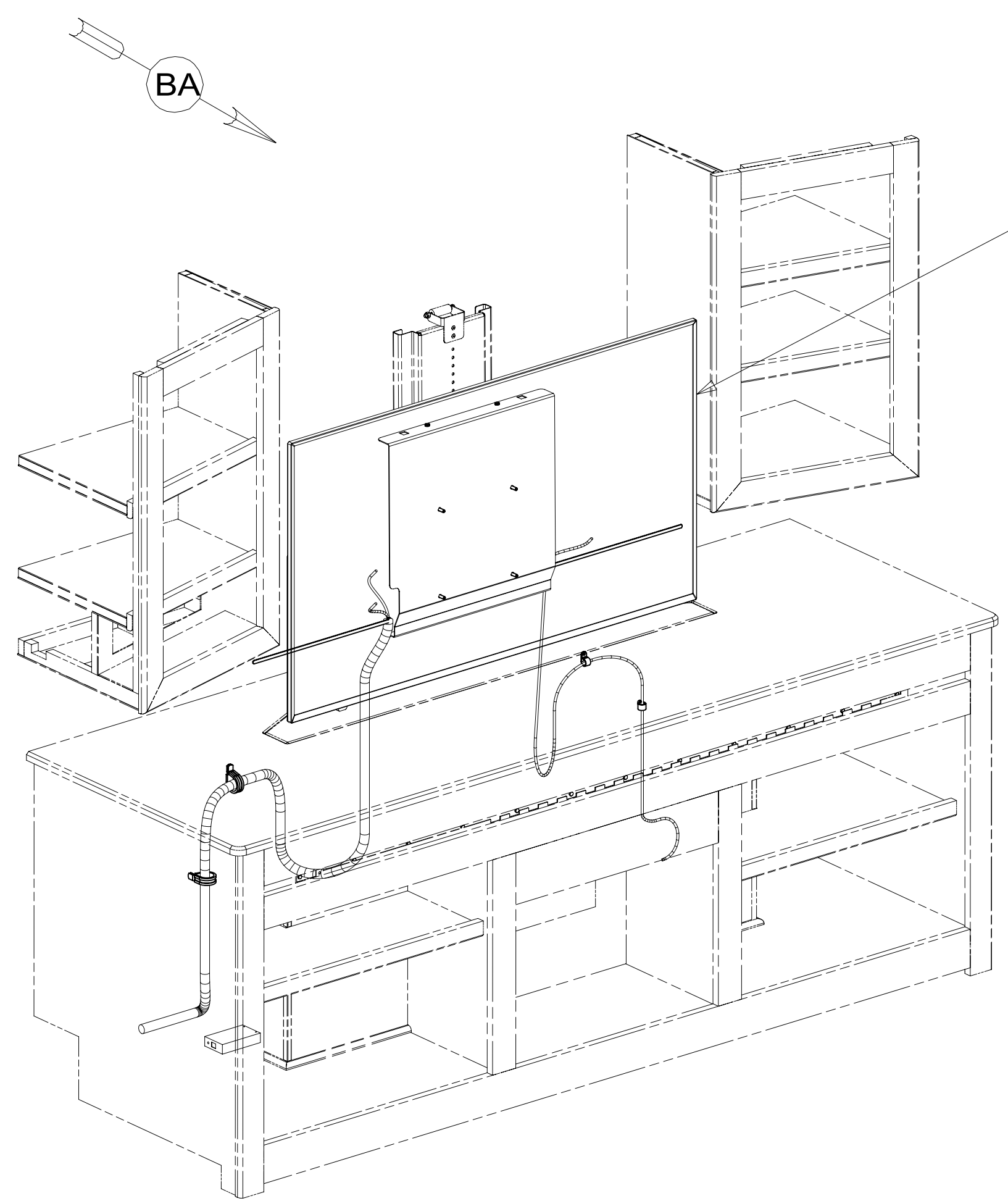
**WINNEBAGO**  
COPYRIGHT 2016 WINNEBAGO INDUSTRIES, INC.

|  |                                       |             |
|--|---------------------------------------|-------------|
| DSNR:  | ALL DIMENSIONS ARE IN MILLIMETERS     |             |
| DIFTR:   |                                       |             |
| UNSPECIFIED TOLERANCES:                            | MATERIAL:                             |             |
| WHOLE DIM (X) : 3                                  |                                       |             |
| ONE-PLACE (X.X) : 1.5                              |                                       |             |
| TWO-PLACE (X.XX) : 0.50                            |                                       |             |
| ANGLE : 1°   |                                       |             |
| REFER TO ES0018 FOR FASTENER TIGHTENING GUIDELINES | WEIGHT: (LBS)                         | FIRST USED: |
|  |                                       | 17 D33C     |
| DESCRIPTION: <b>WIRING INSTL-TV/DVD</b>            |                                       |             |
| SHEET: 1 OF 4                                      | ITEM/PART NO: 000016446 / 31316401000 | REV:        |

REF: 1 16-Jul-2018

8 7 6 5 4 3 2 1

D C B A



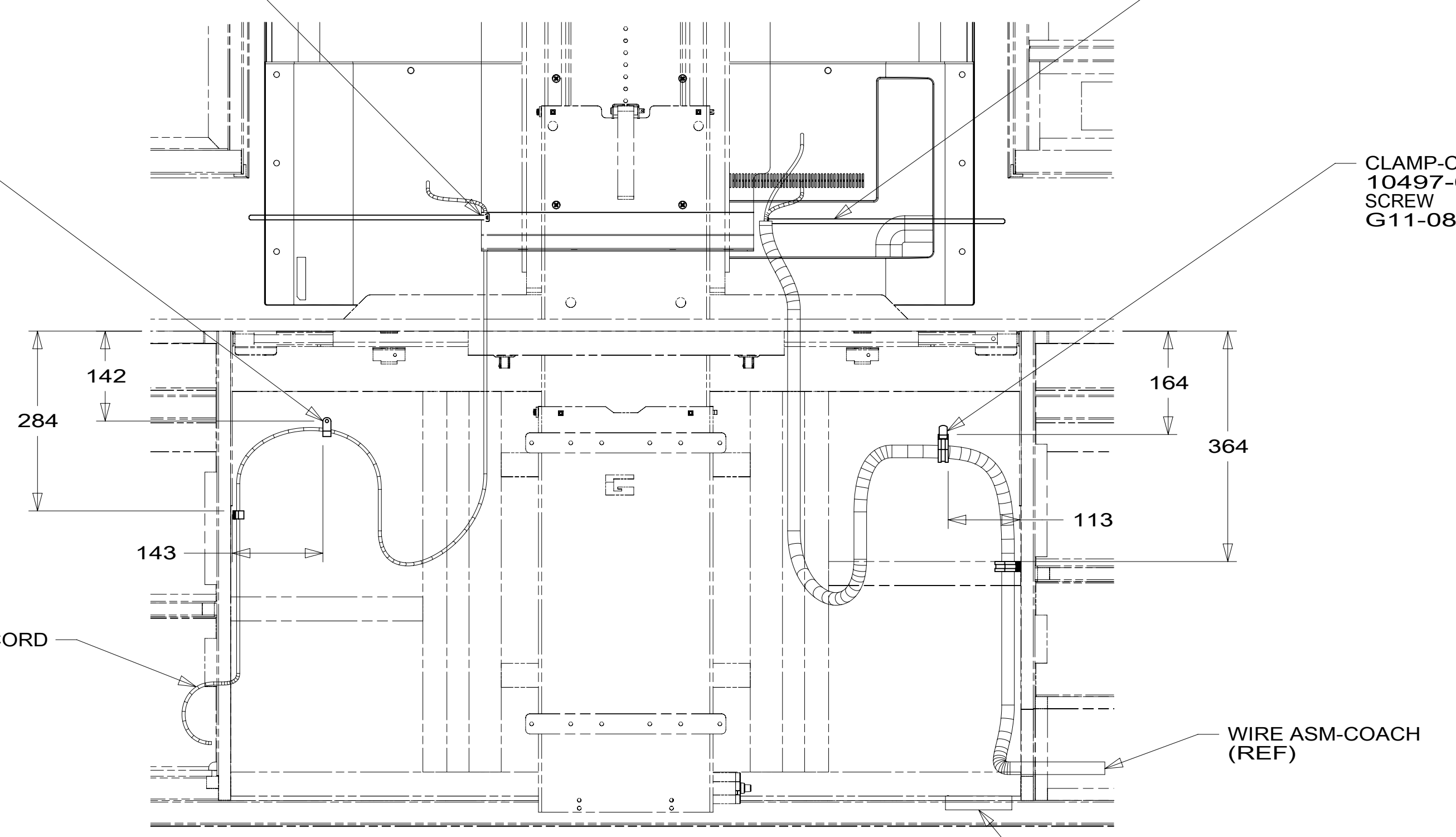
TV-50, HDTV, INSIGNIA  
 000167658 / 330158-01-000  
 SCREW  
 (TV TO PLATE)  
 (SUPPLIED W/TV)  
 0MG02U-06-016 (4)  
 BRACKET-MOUNTING,TV  
 000167695 / 330171-01-CHT  
 SCREW  
 G39-10-12U (2)  
 (PLATE TO TV BRACKET)

WIRE TIE IS TO BE ROUTED  
 THROUGH HOLE IN LOWER  
 BRACKET AS SHOWN TO PROPERLY  
 SUPPORT CABLE ASM (2) PLACES

CLAMP-CABLE  
 10495-01-000 (2)  
 SCREW  
 G11-08-16U (2)

TIE-WIRE  
 8343-04-000 (2)

CLAMP-CLOSED  
 10497-02-000 (2)  
 SCREW  
 G11-08-16U (2)



142  
 284

164  
 364

143

113

TV POWER CORD

WIRE ASM-COACH  
 (REF)

CONVERTER-HDMI/CAT6  
 (RECEIVER) (SAT PREP)  
 FASTENER-DUAL LOCK  
 85774-01-000 (50 MM) (2)  
 85774-02-000 (50 MM) (2)

VIEW BA

265 CODES/STANDARDS-CSA/CMVSS  
 1B1 CODES/STANDARDS USA

FOR ELECTRICAL  
 TORQUE  
 SPECIFICATIONS  
 SEE DWG NO.  
 128783-01-000

FOR  
 ELECTRICAL  
 CALLOUTS  
 SEE DWG NO.  
 121339-01-000

|                            |                         |     |     |
|----------------------------|-------------------------|-----|-----|
| DESCRIPTION:               |                         | 1B1 | 265 |
| <b>WIRING INSTL-TV/DVD</b> |                         |     |     |
| SHEET:                     | ITEM/PART NO.:          | REV |     |
| 2 OF 4                     | 000016446 / 31316401000 |     |     |

8 7 6 5 4 3 2 1 16-Jul-2018

PLATE-MOUNTING,TV,28"RCA  
 000037837 / 318677-01-CHT  
 SCREW (VESA MOUNT)  
 OMG02U-05-012 (4)  
 SCREW (LOWER SUPPORT)  
 (SUPPLIED W/TV)  
 SCREW (BOTTOM FLANGE)  
 G39-08-12U (2)

SUPPORT ASM-MOUNTING,TV  
 166616-10-CHT  
 SCREW  
 G39-08-12U (6)

RCP-BDRM TV  
 (REF)

RCP-BDRM TV  
 (REF)

TV-28" HDTV 110 VAC  
 000032948 / 317355-01-000

CA

VIEW CA  
 (TV NOT SHOWN)

265 CODES/STANDARDS-CSA/CMVSS

1B1 CODES/STANDARDS USA

1B1 265

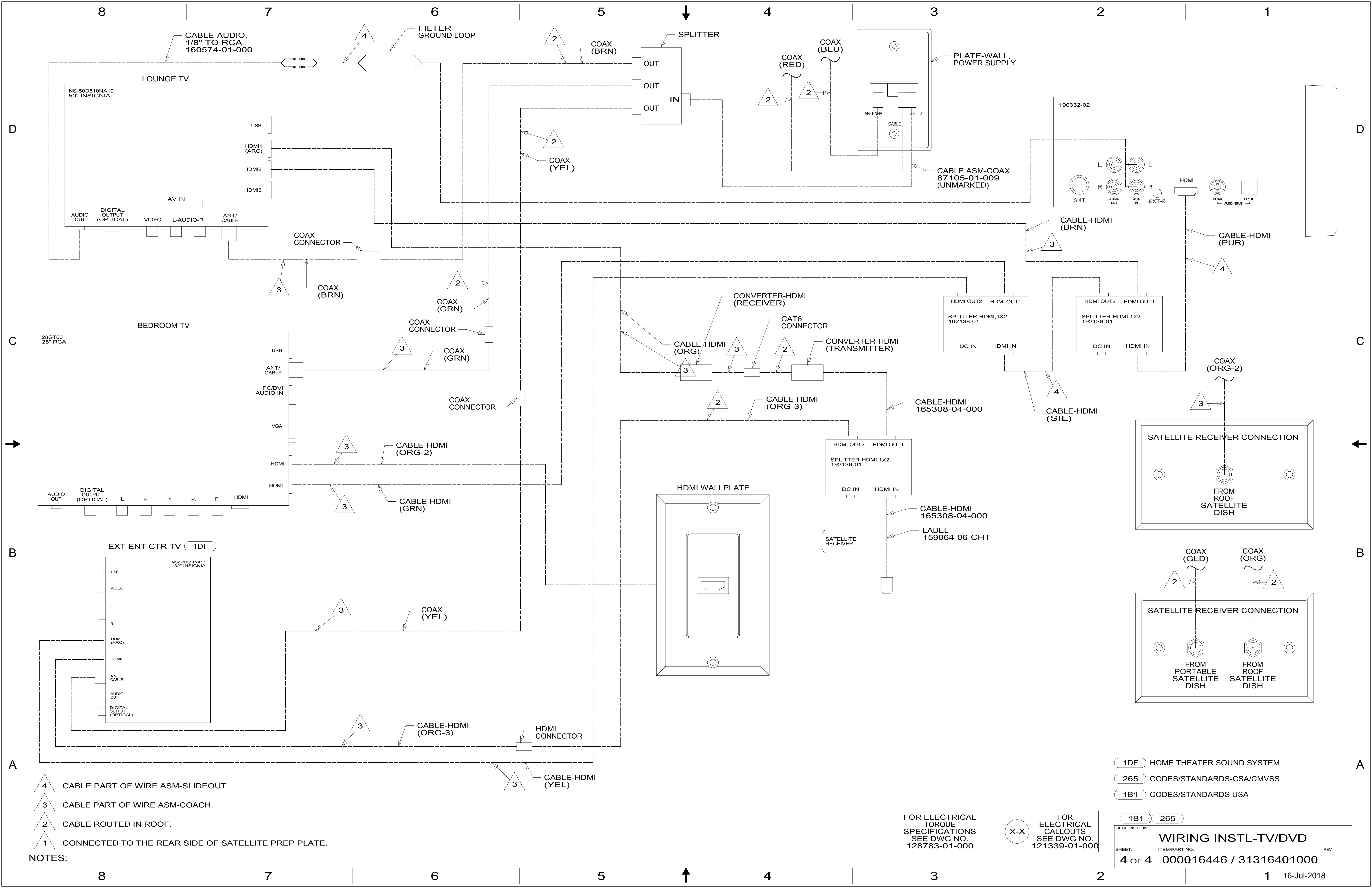
FOR ELECTRICAL  
 TORQUE  
 SPECIFICATIONS  
 SEE DWG NO.  
 128783-01-000

FOR  
 ELECTRICAL  
 CALLOUTS  
 SEE DWG NO.  
 121339-01-000

DESCRIPTION:  
**WIRING INSTL-TV/DVD**

|        |                         |     |
|--------|-------------------------|-----|
| SHEET: | ITEM/PART NO:           | REV |
| 3 OF 4 | 000016446 / 31316401000 |     |

16-Jul-2018



- NOTES:
- 4 CABLE PART OF WIRE ASM-SLIDEOUT.
  - 3 CABLE PART OF WIRE ASM-COACH.
  - 2 CABLE ROUTED IN ROOF.
  - 1 CONNECTED TO THE REAR SIDE OF SATELLITE PREP PLATE.

FOR ELECTRICAL TORQUE SPECIFICATIONS SEE DWG NO. 128783-01-000

FOR ELECTRICAL CALLOUTS SEE DWG NO. 121339-01-000

- 1DF HOME THEATER SOUND SYSTEM
- 265 CODES/STANDARDS-CSA/CMVSS
- 1B1 CODES/STANDARDS USA

DESCRIPTION: **WIRING INSTL-TV/DVD**

SHEET: 4 OF 4    ITEM/PART NO.: 000016446 / 31316401000    REV

16-Jul-2018